

DTS 3031 (NEMA 3R/4) | DTS 3031 (NEMA 4/4X) COOLING UNITS 306–350 W

- compact design, ideal for small control cabinets and larger control cabinets for the cooling of hot spots
- suitable for the food and beverage industry and outdoor applications
- maintains a UL tested NEMA type 3R/4 and 4/4X seal against the enclosure
- high protection system IP 56, maintenance-free
- condenser with 3 mm fin spacing, highly effective protection against strongly contaminated ambient air
- fully coated heat-exchangers and tubing
- suitable for smallest enclosures



PRODUCT		DTS 3031 (NEMA 3R/4)		DTS 3031 (NEMA 4/4X)		
ARTICLE NO.	SC	13383141355	13383144355	13383141158	13383144158	Unit

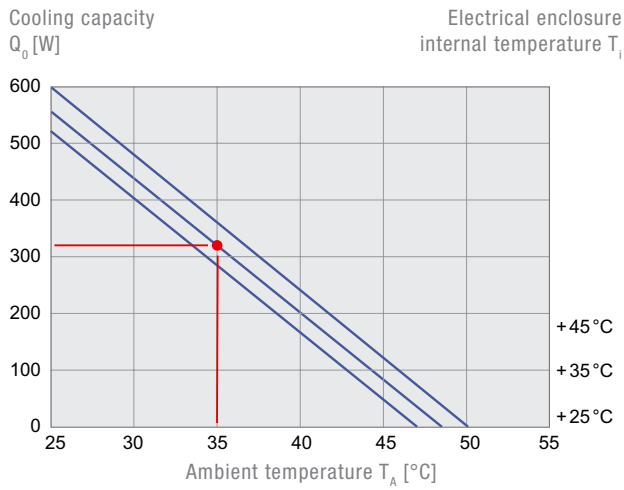
DATA

Rated voltage ±10 %		AC 50 60	AC 60	AC 50 60	AC 60	Hz
		230	115	230	115	V
Cooling capacity according to EN 14511	A35/A35	306 322	350	306 322	350	W
Power consumption	A35/A35	253	243	253	243	
Current consumption	A35/A35	1.2	2.1	1.2	2.1	A
Starting current	A35/A35	3.5	5	3.5	5	
Unimpeded airflow (free flow)	internal	64				m³/h
	external	169				
Pre fuse T		15				A
Type of connection		spring-type terminal included with plug				
Noise level according to EN ISO 3741		< 64				dB (A)
Weight (without packaging)		14				kg
Ambient temperature		+ 8 ... + 45 / + 46 ... + 114				°C °F
Control range (adjustable)		+ 10 ... + 40 + 50 ... + 104; factory setting + 35 + 95				
Refrigerant	R134a	145-150				g
Duty cycle		100				%
Condensate management		integrated condensate evaporation system with safety overflow				
Protection system according to NEMA type	3R/4	towards the electrical enclosure if used as intended by the manufacturer		-		
	4/4X	-		towards the electrical enclosure if used as intended by the manufacturer		
	1	towards the surroundings if used as intended by the manufacturer				
Design	housing	galvanised sheet steel		stainless steel 304		
	cover	galvanised electrostatically powder coated (200 °C)		stainless steel 304		
Colour		RAL 7035 different colours available on request		-		

ACCESSORIES	Piece	ARTICLE NUMBER
Condensate bottle	1	18314000100
Alu filter	1	18881500008

For additional models, options and voltages visit www.pfannenber.com or contact us directly.

Cooling capacity performance curves

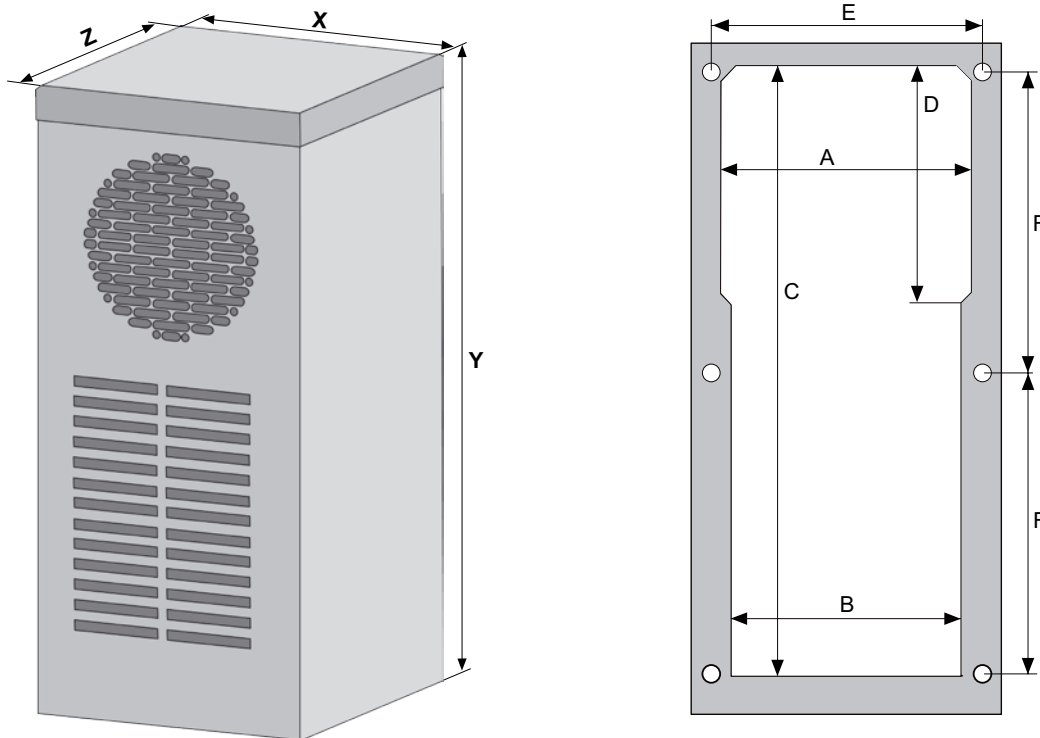


Dimensions

	X	Y	Z	A	B	C	D	E	F
mm	177.8	393.7	191.4	135	124	328	128	146	162

Mounting holes \varnothing 10 mm

DTS 3031



For additional information to ensure the accurate setting of the motor protection switch, please see technical specific data sheet. This information is included with the delivery of the unit or can be found at www.pfannenberg.com.