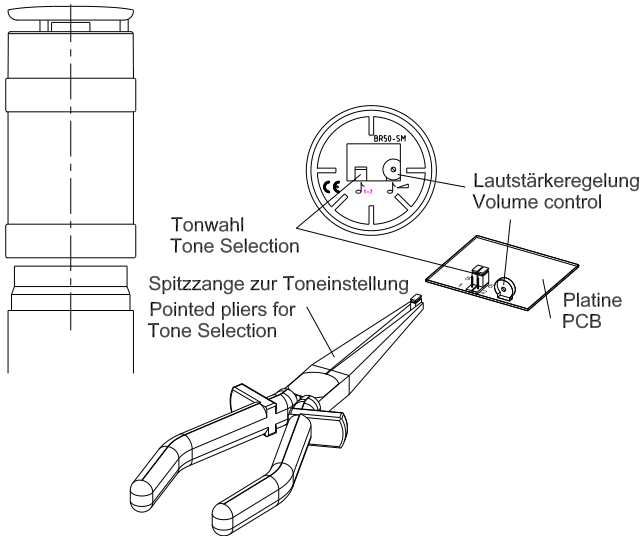


# Inbetriebnahme / Instruction sheet BR 50-SM



## Tonartentabelle / Tone and Frequency Selection

| Ton-Nr.: | Schalterstellung | Tonart   |  |
|----------|------------------|--|--|
| Tone-No. | Tone Set         | Frequency description  |  |
| 1        |                  | Wechselton 800 Hz / 1000 Hz, Wechsel alle 0,25 s<br>Alternating 800 Hz / 1000 Hz at 0,25 s intervals                           |  |
| 2        |                  | Ansteigender Ton 500 Hz - 1200 Hz, Dauer 3 s, 0,5 s Pause<br>Slow whoop 500 Hz / 1200 Hz at 0,3 Hz with 0,5 s gap - repeated   |  |
| 3        |                  | Sägezahn 1200 Hz / 500 Hz innerhalb 1 s<br>Sawtooth 1200 Hz / 500 Hz at 1 Hz   |  |
| 4        |                  | Wechselton 544 Hz für 100 ms, 440 Hz für 400 ms (NF S 32-001)<br>Alternating 544 Hz (100 ms) / 440 Hz (400 ms) - (NF S 32-001) |  |
| *)5      |                  | Dauernton 1000 Hz<br>Continuous at 1000 Hz   |  |
| 6        |                  | Simulierte Glocke<br>Simulated Bell Sound  |  |
| 7        |                  | Wobbelton 800 Hz / 1000 Hz, Schaltfrequenz 7 Hz<br>Sweeping 800 Hz / 1000 Hz at 7 Hz   |  |

\*) Grundeinstellung / Base Setting