

# Ind. angular measuring system

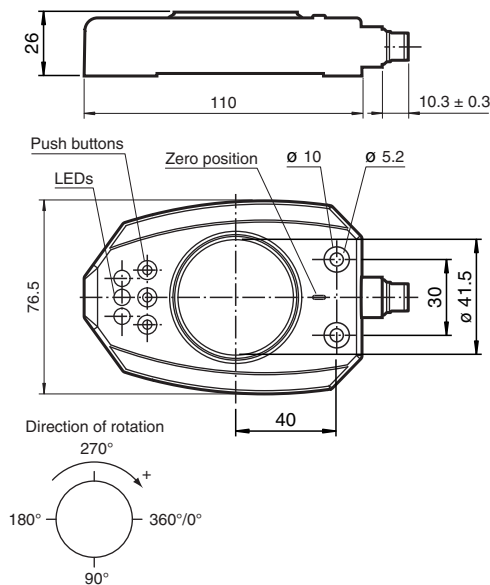
## PMI360D-F130-IE8-V15



- Measuring range 0 ... 360°
- Analog output 4 mA ... 20 mA
- Adjustable switch points



### Dimensions



### Technical Data

#### General specifications

Installation	non-flush
Measurement range	360°
Rotational speed	max. 100 min <sup>-1</sup>

#### Nominal ratings

Operating voltage	U <sub>B</sub>	18 ... 30 V
Reverse polarity protection		reverse polarity protected
Repeat accuracy	R	± 0.25 °
Resolution		0.4°
Temperature drift		0.02 ° / °C (-25 °C ... 70 °C)
No-load supply current	I <sub>0</sub>	≤ 45 mA
Operating voltage indicator		LED green

#### Functional safety related parameters

MTTF <sub>d</sub>	265 a
-------------------	-------

Release date: 2022-05-17 Date of issue: 2022-05-17 Filename: 199092\_eng.pdf

Refer to "General Notes Relating to Pepperl+Fuchs Product Information".

Pepperl+Fuchs Group  
www.pepperl-fuchs.com

USA: +1 330 486 0001  
fa-info@us.pepperl-fuchs.com

Germany: +49 621 776 1111  
fa-info@de.pepperl-fuchs.com

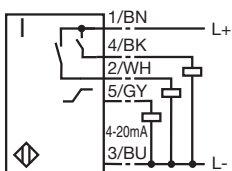
Singapore: +65 6779 9091  
fa-info@sg.pepperl-fuchs.com

**PF** PEPPERL+FUCHS

## Technical Data

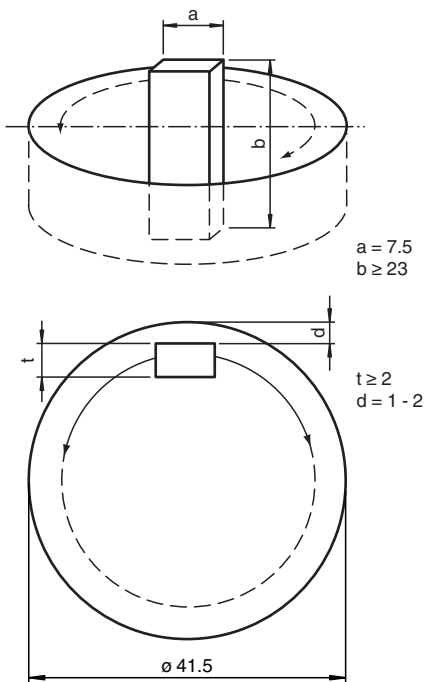
Mission Time (T <sub>M</sub> )		20 a
Diagnostic Coverage (DC)		0 %
<b>Switching output</b>		
Output type		2 switch outputs PNP, NO , reverse polarity protected , short-circuit protected
Operating current	I <sub>L</sub>	≤ 100 mA
Voltage drop		≤ 3 V
Short-circuit protection		pulsing
<b>Analog output</b>		
Output type		1 current output: 4 ... 20 mA
Linearity error		± 0.6 ° , (with original actuator)
Load resistor		≤ 400 Ω
<b>Compliance with standards and directives</b>		
Standard conformity		
Standards		EN 60947-5-2:2007 IEC 60947-5-2:2007
<b>Approvals and certificates</b>		
UL approval		cULus Listed, General Purpose, Class 2 Power Source
CCC approval		CCC approval / marking not required for products rated ≤36 V
<b>Ambient conditions</b>		
Ambient temperature		-25 ... 70 °C (-13 ... 158 °F)
Storage temperature		-40 ... 100 °C (-40 ... 212 °F)
<b>Mechanical specifications</b>		
Connection type		5-pin, M12 x 1 connector
Housing material		PBT
Shaft diameter		max. 27.5 mm Steel
Degree of protection		IP67
Mass		180 g

## Connection





## Dimensions

dimensions of the target object:



## Accessories

	<b>V15-G-2M-PVC</b>	Female cordset single-ended M12 straight A-coded, 5-pin, PVC cable grey
	<b>V15-W-2M-PVC</b>	Female cordset single-ended M12 angled A-coded, 5-pin, PVC cable grey