

**PATLITE**®

New Frontiers in Safety, Security and Comfort.

Complete  
**GENERAL CATALOG**



# PATLITE is Number 1 for Signaling Technology.

Combining innovative LED technology and advanced optical design, PATLITE's signaling products deliver the highest level of illumination and reliability with protection up to IP-69K. Featuring a broad selection of models, sizes, designs and optional accessories, you can find the best solution for specific requirements. PATLITE's quality standard guarantees long-term customer satisfaction in diversified applications. There is no better choice for signaling products than PATLITE for now and the future.

PATLITE is number one in the world for signaling solutions.

## Outstanding Illumination

PATLITE's high-intensity LEDs and innovative lens design ensures outstanding illumination and exceptional brightness from any direction and distance.

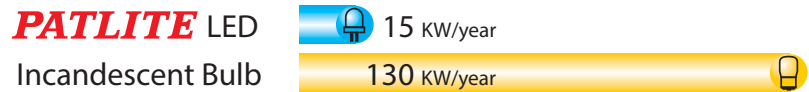


## Patented Reflection System

PATLITE's patented reflection system is optimized for full illumination over the entire lens.

## Low Power Consumption

PATLITE's high-intensity LEDs are eight times more efficient than conventional incandescent bulbs.



## Long Service Life and Reliability

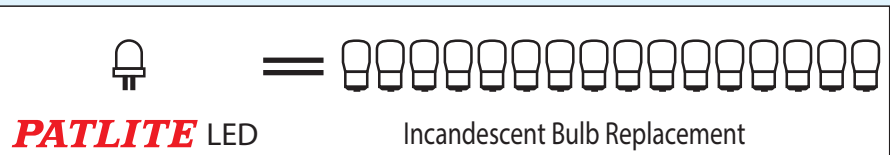
PATLITE's high-intensity LEDs guarantees an extended service life of 60,000 hours. That is more than 5 years of continuous operation!



Note: For one LED module and one bulb with continuous operation

## Reduced Maintenance and Labor

PATLITE's high-intensity LEDs drastically reduces costly maintenance requirements for replacing bulbs. The life of PATLITE's high intensity LEDs is over 16 times longer than conventional incandescent bulbs.



Note: Both with continuous operation

## Environmentally Responsible

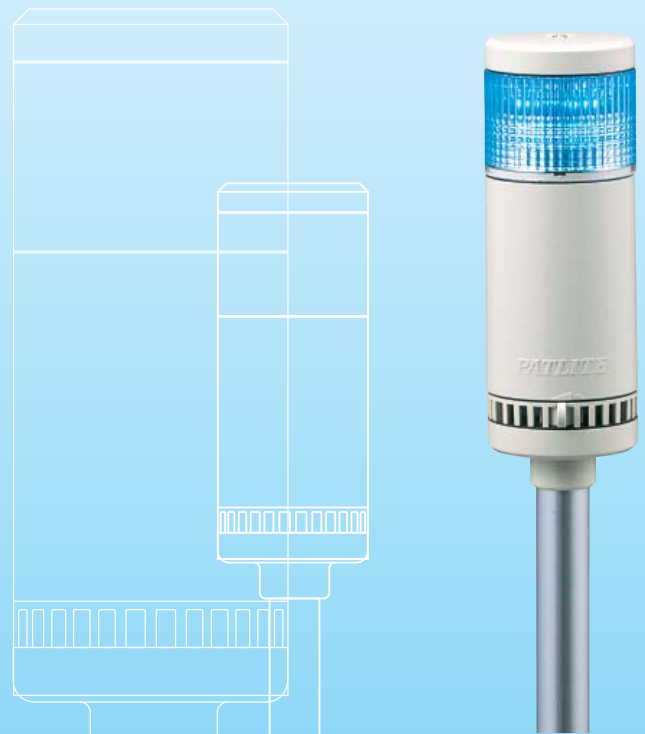
Many PATLITE products use lead-free technology, and are RoHS compliant. In addition, long-life LEDs reduce waste compared to conventional incandescent bulbs.



PATLITE ECO PROJECT

## Rugged and Robust Design

PATLITE's design with a center shaft in its signal tower ensures the structural integrity of the modules, promising protection against vibration and mishandling. Yet, it offers modularity and flexibility for changing the LED modules. The smooth-finished body surface prevents collection and adhesion of dust, making our products easy to clean. PATLITE's signaling products are constructed using world-class quality materials to withstand harsh production environments.



# “New Frontiers in Safety, Security and Comfort” is PATLITE’s mission.

PATLITE offers state-of-the-art equipment for process and industrial automation for over 60 years. Our Innovative and robust design, backed by a powerful commitment and years of knowledge, has made PATLITE the world’s best known manufacturer of the visual and audible signaling products.

We are also dedicated to the development of explosive and harsh-environment products to demonstrate our strong commitment to serving the industry with unique and innovative solutions.

In order to identify the diversified needs of our customers, and respond quickly and satisfactorily to those needs, we have implemented the POP (Point of Production) System together with a lean-manufacturing cell-based assembly system (combination, single, and flexible assembly). These new systems allow us to handle any order rapidly from single items to customized item orders.

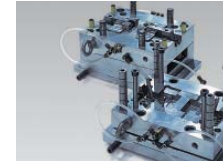
We’ve also reduced development time and production cost by having our own in-house machinery to produce, design and manufacture metal moldings and plastic materials with the use of injection machinery.

From designing to production, from raw material to the finished product, we also manage our quality control throughout the entire process. This is how we maintain our world class quality reputation in the visual, audible signaling and networking information products.

- From designing to production, quality control is managed throughout the process



• 3D CAD Design



• Metal Part Molding Manufacturing



• Electrical discharge machine



• Machining Center



• Injection molding machines

- Wide-range of Innovative and World-class Quality Products



## World-wide Sales, Marketing and After-sales Support Network



# INTRODUCTION TO VISUAL & AUDIBLE SIGNAL APPLICATIONS

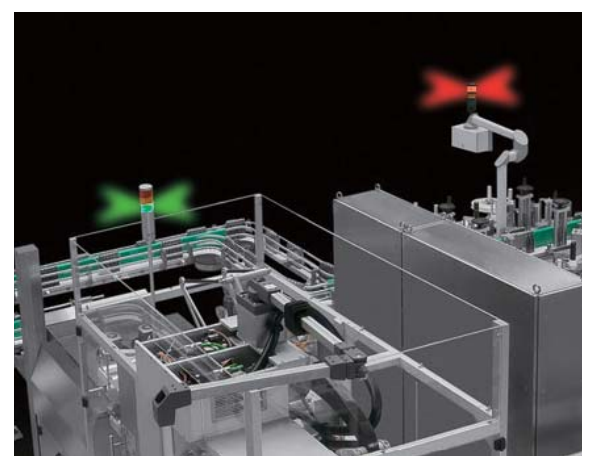
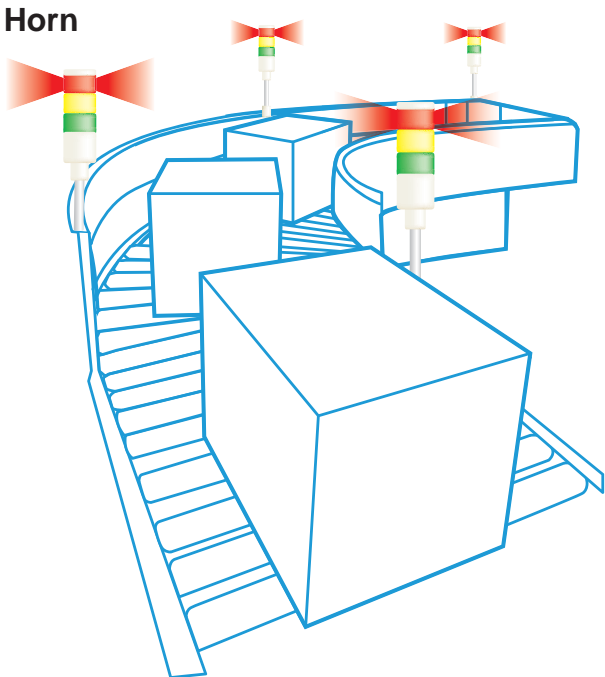
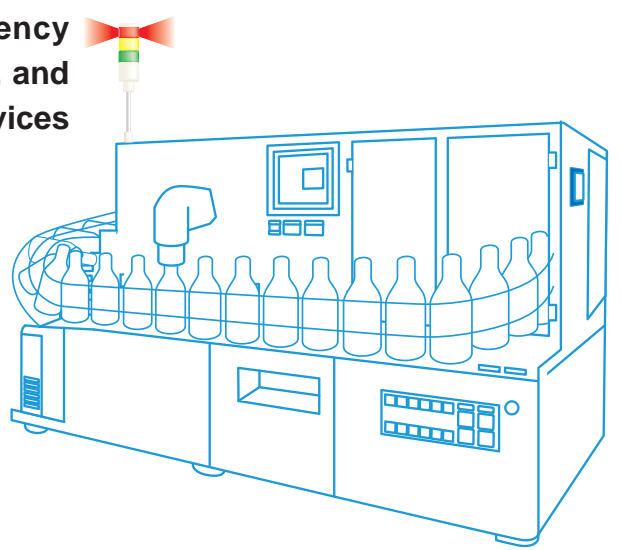
Since 1947, PATLITE has been at the forefront in developing and innovating a variety of signaling products. PATLITE's extensive product range covers highly advanced LED signal towers, beacons, audible alarms, annunciators, and work lights for industrial automation and security applications. As a top brand manufacturer, we aspire to become the global standard for signaling products.

PATLITE products are used in various industries to improve productivity, quality, safety, and security. See how PATLITE can improve your process by reviewing the examples in the following pages.

## PACKAGING / PROCESSING MACHINES

Use PATLITE signaling devices to provide emergency management for automated carriers, belt conveyors, and other types of equipment on which cargo and/or devices are transported on.

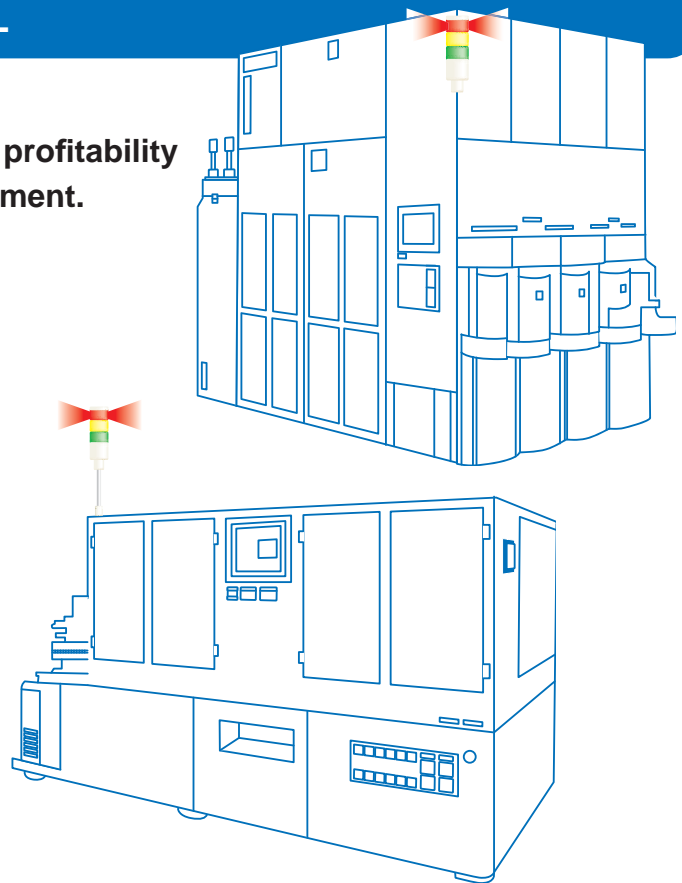
- Recordable Smart Alert
- Smart Alert
- Signal Tower
- Signal Horn



## SEMICONDUCTOR / LIQUID CRYSTAL

Achieve high levels of performance and profitability with semiconductor manufacturing equipment. Real-time machinery status monitoring.

- Signal Tower
- Signal Horn
- Recordable Smart Alert
- Smart Alert

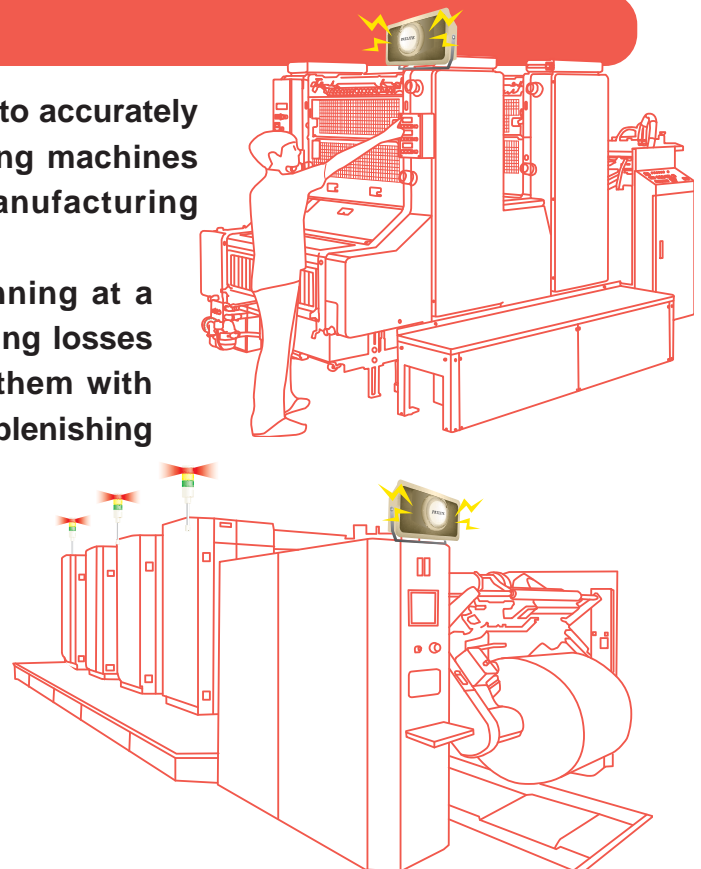


## PRINTING

Ensure safe operation by allowing operators to accurately ascertain the operating conditions of printing machines and sounding an alarm in the event of manufacturing losses or machine failure.

Enable operators of printing machines running at a high speed to quickly recognize manufacturing losses and equipment malfunctions by providing them with guidance on resolving paper-feed failures, replenishing ink at suitable times, and other such matters.

- Signal Tower
- Signal Horn
- Recordable Smart Alert
- Smart Alert

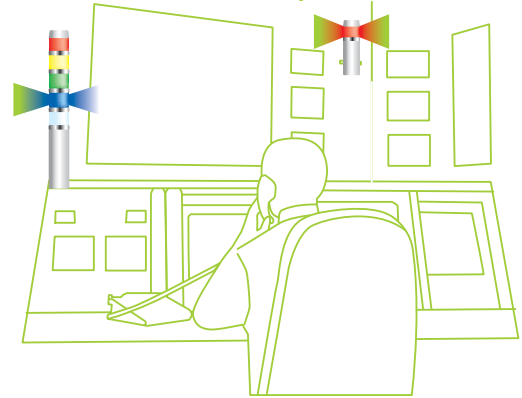
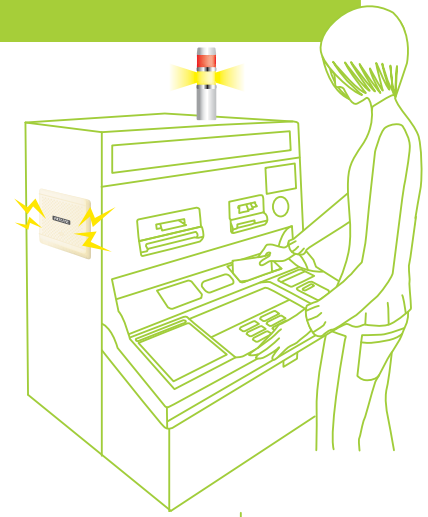


## INFORMATION COMMUNICATION

Enable appropriate actions to be taken at call centers, control rooms, and other information control centers.

Indicate the existence of incoming calls, system errors, etc, at call centers and other facilities. Also enable from remote locations to quickly recognize malfunctions and resolve them by displaying such information on the display panels for systems installed in control rooms at transport facilities and other sites.

- Signal Tower
- Signal Horn
- Recordable Smart Alert
- Smart Alert
- Network Monitoring System

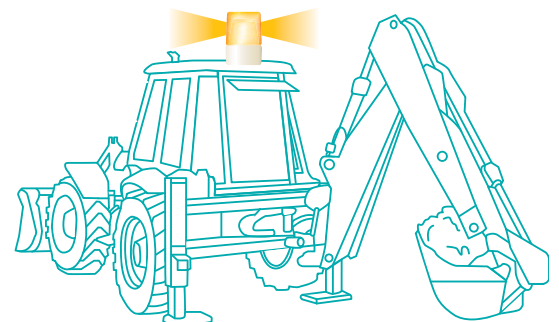
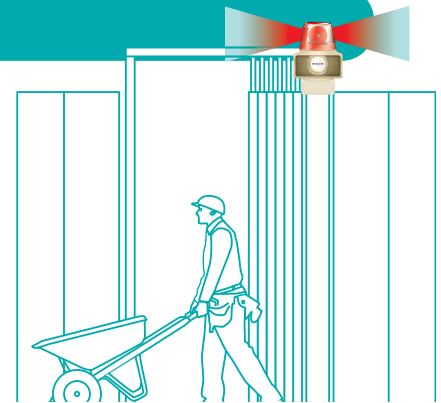


## CONSTRUCTION MACHINES

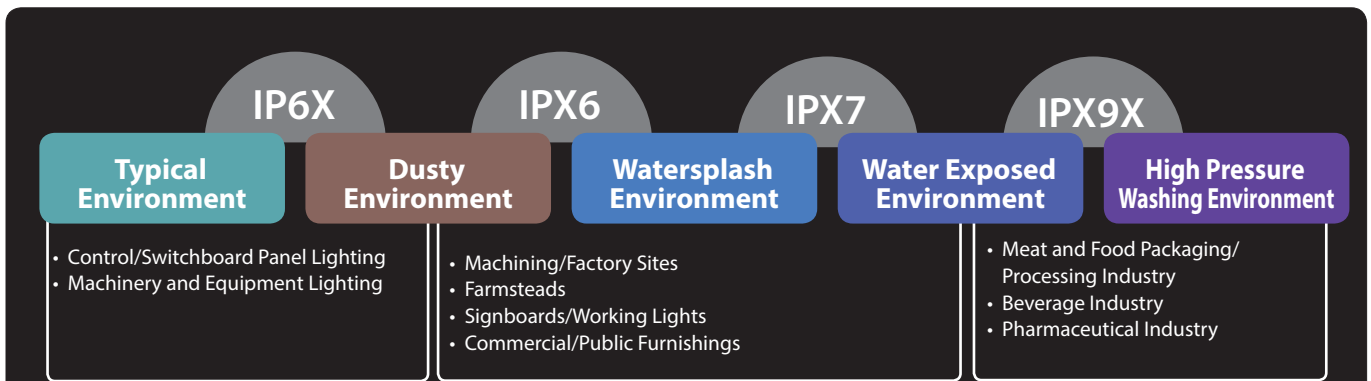
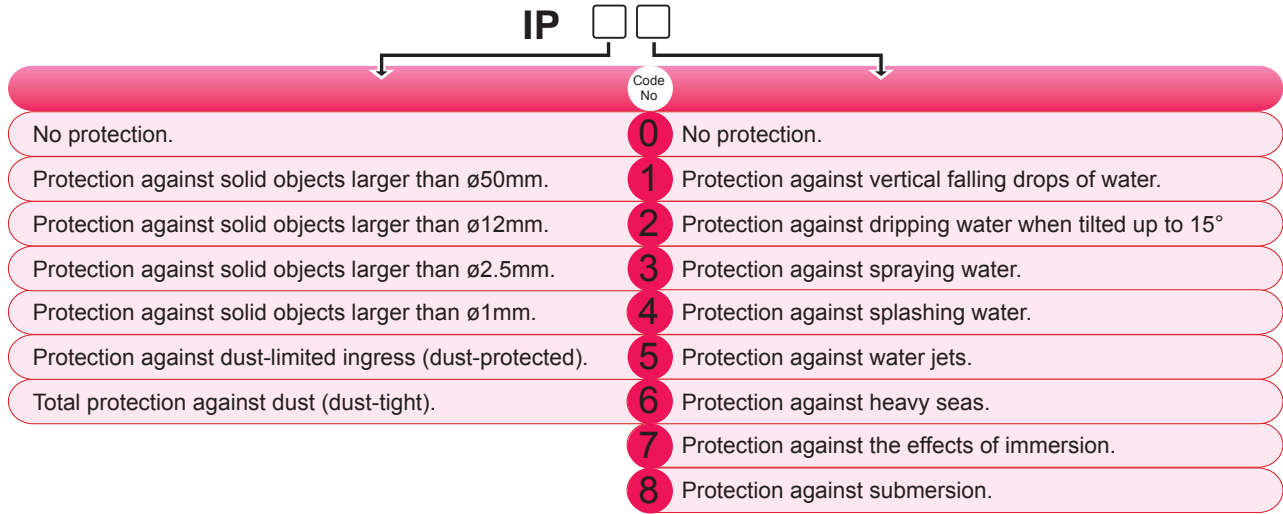
Prevent accidents involving construction machinery and other accidents occurring at dangerous locations such as construction sites.

Help to mitigate the effects of blind spots on large construction vehicles and machines with the use of LED beacons and other alarm devices. Our broad lineup of products, such as loud Smart Alerts, ensures that workers are aware of alarms even at noisy construction sites.

- Signal Tower
- Signal Horn
- Recordable Smart Alert
- Smart Alert



# Index of Ingress Protection defined by CEI / IEC 529



## Protection Rating Testing Requirements

- IP6X= The product is placed in a dust chamber with a negative pressure state so that dust is made to float, and there is no invasion inside.
- IPX6= A water nozzle with a diameter of 12.0mm is placed at a range from 2.5 to 3.0 meters with a water velocity of 100 litres per minute injected towards the test piece in an omni direction for three minutes or more without being affected by any harmful influences.
- IPX7= With the distance of 0.15 m from the top of the product to the water surface and a distance from the bottom of the product to the bottom of the tank at a distance of 1 m, it is submerged for 30 minutes with no harmful penetration.

\* Since testing is performed under a controlled environment within provisions including a designated time, it does not consider conditions for continuous use.

**IP69K**

IP69K is the German DIN 40050 PART9 standard. It is defined as a protection regulation for high temperature and high-pressurized water. Water is heated up to 80°C and sprayed at a water pressure in the range from 80 to 100 bars at 14 to 16 liters per minute at the test object. The test object is at a distance of 100 to 150 mm from the nozzle and sprayed in all directions at 0, 30, 60, and 90 degrees, then sprayed at a horizontal angle while it is being rotated, all done for a period of 30 seconds without being affected by water penetration.



# Our plan is to increase “Safety, Security, and Comfort” to serve the world.



CEO and President  
Setsujiro Yamamoto

We earnestly seek to provide valuable goods and services from the customer’s viewpoint. We work to create a company that thrives on adversity, building a company for the enrichment of society.

We, the PATLITE group, have obtained customer support and established a dominant position in the Japanese market as a leading manufacturer of information display equipment by providing value added products and services guided by our corporate philosophy of “Safety, Security, and Comfort”.

The PATLITE group wants to achieve various social contributions and promote environmentally friendly products through our daily corporate activities, while constantly refining our corporate philosophy to reflect the demands of the current times. Our intention is to grow as an enterprise into a global business that can be relied upon by society and trusted by customers of the world, as we are in Japan, as a leading company in the industry by capitalizing on the strengths of our activities in our country. You can count on our growth. We ask for your continuous support and encouragement.



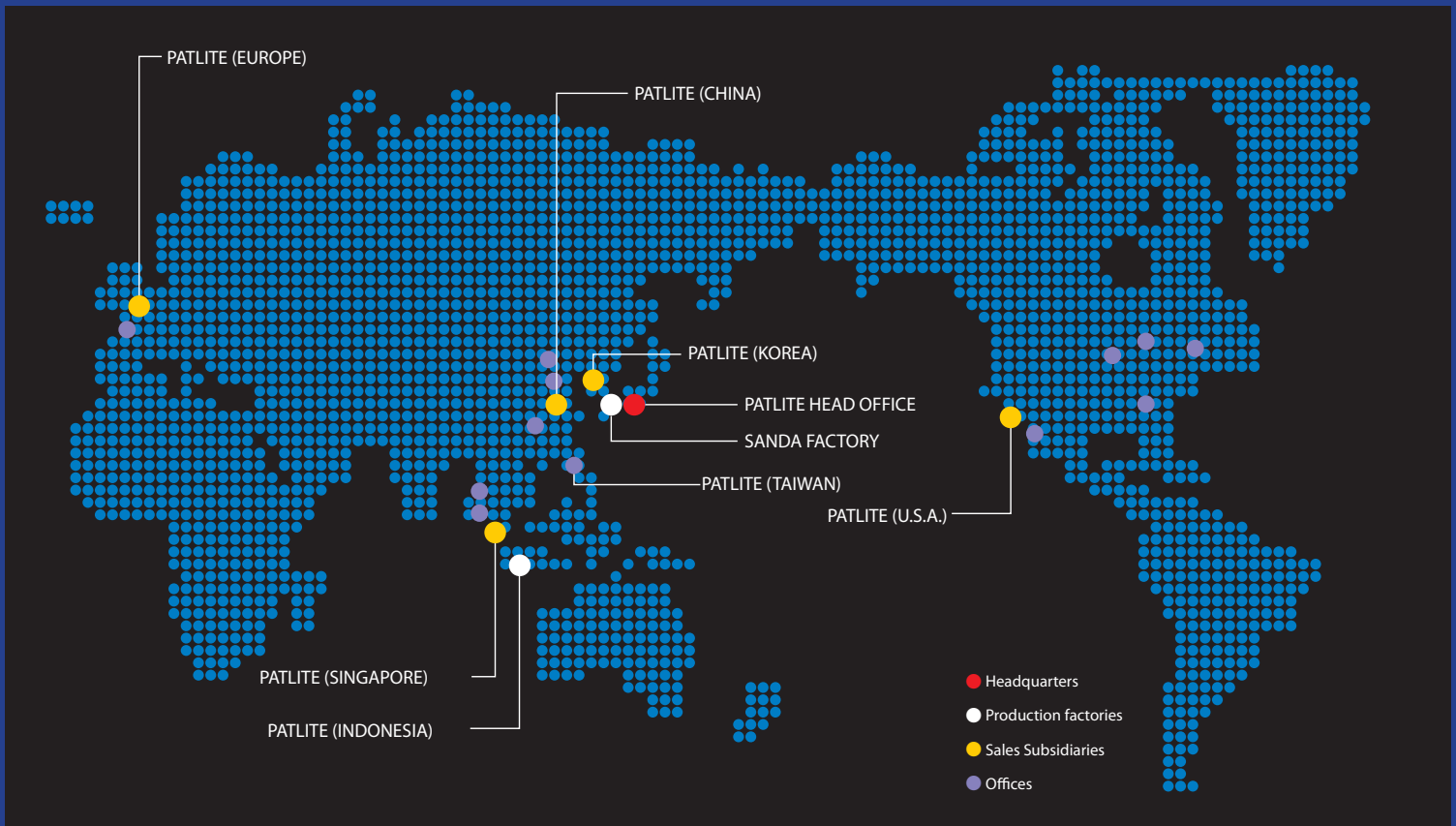
## Localized Product Development

While PATLITE implements local marketing strategies for the area, We are also building a sales network to meet the characteristics for each country and area. The customer's request is precisely understood and the product development details are considered for global standards as well as for local specifications. Furthermore, the various safety standards and environmental regulations of the world are taken into account.



## Global Support System Established

Unique value-added solutions are developed by being sensitive to and catching the customer's needs through our sales network and distribution channels established in primary markets for each country of the world. We established an organization for quick response and flexible support from the customer's viewpoint, in order to accelerate globalization. We promise to propose solutions and to become a reliable partner as a professional in the manufacturing industry.



# Product Category Index

## New Products

CLN	18
EHS	20
EHV	20
PSE	23
LFH	24
LFK	25
XPE	26
XME	27
LP3	28
LP5	29

## Network Products

WD	32
NHL	34
LE-K3	36
WEP-K3	36
LHE-C3	38
LE-C3	38
WEP-C3	38
PHE-3FBE1	40
PHC-100A	41
PHU-3	42
VE25	44
VE100	44

## Explosion-Safe Products

EDLM	48
EDWM	48
AR-070	50
AR-078	51
LKEH-EX	52
EHS-EX	53
EHV-EX	53
CLN-EX	54
CLK-EX	55
CLA-EX	56
RES-A	57

## Signal Tower

ME-A	60
MES-A	60
MP	62
MPS	62
MP-C	64
LCE	66

LCE-U	66
LCS	69
LCS-U	69
LES-A	71
LE	73
LU5	76
LMS	80
LME	82
LME-U	82
LME-N	82
LME-S	86
LME-Q	86
LHE-A	89
LU7	92
LU7-XE	98
LS7	100
WE	104
WEP	104
WME-A	107
LGE	110
WSST	114
HSST	115

## Signal Lights

NE-24	118
KHE	119
PEW-A	120
PES-A	120
KPE-A	122

## Revolving Warning Light

SKHE	126
SKHEB	126
RLE	127
RKE	128
RKEB	128
RHE	128
RHEB	128
RKEM	129
RHEM	129
RU	130
RUP	130
RS	130
RH-A	131
RK-A	131
SKH-A	132
SKH-EA	133

SKP-A	134
SKL-A	135
SKC-A	136
SKV-A	137
SKHB-1006D	138
KP-A	139
WH-A	140
WK-A	140
HP	141
KG	142
HKFM	143
RLR	144
KUS	146
KJS	148
KJSB	148
KJ	150
KJB	150

## LED Light

CLA	154
CLK	156

## Alarm Products

BM	160
BD	162
BK	164
EWHS	166

## Voice & Sound

BSV	174
BDV	176
BKV	178
FV-127JP	180

## Hybrid Products

LKEH	184
RFT	186
RFV	188
RT	190
KJT	192

## Optional Parts

Optional Parts	196
DEB	197
MP-B	197
Melody Charts	203
Replacement Bulbs	204

# Product Index

## A

AR-070	50
AR-078	51

## B

BD	162
BDV	176
BK	164
BKV	178
BM	160
BSV	174

## C

CLA	154
CLA-EX	56
CLK	156
CLK-EX	55
CLN	18
CLN-EX	54

## D

DEB	197
-----	-----

## E

EDLM	48
EDWM	48
EHS	20
EHS-EX	53
EHV	20
EHV-EX	53
EWHS	166

## F

FV-127JP	180
----------	-----

## H

HKFM	143
HP	141
HSST	115

## K

KG	142
KHE	119
KJ	150
KJB	150
KJS	148
KJSB	148
KJT	192
KP-A	139
KPE-A	122
KUS	146

## L

LCE	66
LCE-U	66
LCS	69
LCS-U	69
LE	73
LE-C3	38
LE-K3	36
LES-A	71
LFH	24
LFK	25
LGE	110
LHE-A	89
LHE-C3	38
LKEH	184
LKEH-EX	52
LME	82
LME-N	82
LME-Q	86
LME-S	86
LME-U	82
LMS	80
LP3	28
LP5	29
LS7	100
LU5	76
LU7	92
LU7-XE	98

## M

ME-A	60
Melody Charts	203
MES-A	60
MP	62
MP-B	197
MP-C	64
MPS	62

## N

NE-24	118
NHL	34

## O

Optional Parts	196
----------------	-----

## P

PES-A	120
PEW-A	120
PHC-100A	41
PHE-3FBE1	40
PHU-3	42
PSE	23

## R

Replacement Bulbs	204
RES-A	57
RFT	186
RFV	188
RH-A	131
RHE	128
RHEB	128
RHEM	129
RK-A	131
RKE	128
RKEB	128
RKEM	129
RLE	127
RLR	144
RS	130
RT	190
RU	130
RUP	130

## S

SKC-A	136
SKH-A	132
SKHB-1006D	138
SKHE	126
SKH-EA	133
SKHEB	126
SKL-A	135
SKP-A	134
SKV-A	137

## V

VE25	44
VE100	44















## W

WD	32
WE	104
WEP	104
WEP-C3	38
WEP-K3	36
WH-A	140
WK-A	140
WME-A	107
WSST	114



## X

XME	27
XPE	26






## Signal Tower

																
Diameter (mm)		25		30			40				50					
Model		ME-A	MES-A	MPS	MP	MP-C	LCE	LCE-U	LCS	LCS-U	LES-A	LE	LU5	LU5-U	LU5-K	
Page No.		62		64			66		68		71		73		75	
Voltage	AC/DC12V															
	DC24V	●	●										●	●	●	
	AC/DC24V			●	●	●	●	●	●	●	●					
	AC90-250V						⊙	⊙								
	AC100V											●				
	AC120V											●				
	AC220V											●				
	AC230V															
Body Color	White						●		●		●	●	●			
	Silver	●	●	●	●	●		●		●				●		
	Black														●	
Sound Function	dB						85					85		85		
	Sounds						2					2		2		
Connector Type	Terminal												●	●	●	
	M12 QD					●										
Transistor Input	PNP			●	●	●	●	●	●	●	●	●	●	●	●	
	NPN	●	●	●	●	●	●	●	●	●	●	●	●	●	●	
Flashing Function						●	●				●	●	●	●	●	
IP Rating		42		65			65		54		65		54		65	

## Wall Mount Signal Tower





			
Model		WE/WEP	WME-A
Page No.		106	109
Voltage	AC/DC24V	●	●
	AC90-250V		⊙
Body Color	White	●	●
	Chrome-plating	●	
Sound Function	dB	90	90
	Sounds	2	2
Transistor Input	PNP	●	●
	NPN	●	●
Flashing Function		●	●
IP Rating		65	65

## Network










						
Model		LE-K3	WEP-K3	LE-C3	LHE-C3	WEP-C3
Page No.		38		40		
Voltage	DC 5V					
	DC 24V	●	●	●	●	●
	AC120V					
Network	CompoNet	●	●			
	CC-Link			●	●	●
	ZigBee					
Connection	LAN					
	USB					
	RS-232C					
	2.4GHz					
Body Color	White	●	●	●	●	●
	Silver					
	Black					
Mounting	Pole	●		●		
	Direct				●	
	Wall		●			●
Sound Function	dB	85	90	85	90	90
	Sounds	2	1	2	2	1
IP Rating		23	23	23	65	23



## Revolving Warning Light

																
Diameter (mm)		82			100						118			138		
Model		RLE	RU	RS	RKE	RKEM	RHE	RHEM	RH-A	RK-A	SKHE(B)	SKH-EA	WH-A	WK-A	SKH-A	SKP-A
Page No.		129	132		130	131	130	131	133		128	135	142		134	136
Voltage	DC12V	●	●	●	●	●	●	●	●	●	●	●	●	●	●	●
	DC24V	●	●	●	●	●	●	●	●	●	●	●	●	●	●	●
	AC24V		●	●											●	
	DC48V				●		●									●
	AC100V	●	●	●	●		●		●	●	●	●	●	●	●	●
	AC120V								●	●						
	AC200V				●		●		●	●	●	●	●	●	●	●
	AC220V	●	●	●												
	AC240V		●	●					●	●						
	AC100-200V					●		●								
Body Color	White	●	●	●	●	●	●	●	●	●			●	●		
	Silver			●												
	Black															
	Dome Color										●	●			●	●
Dome Color	Red	●	●	●	●	●	●	●	●	●	●	●	●	●	●	●
	Yellow	●	●	●	●	●	●	●	●	●	●	●	●	●	●	●
	Green	●	●	●	●	●	●	●	●	●	●	●	●	●	●	●
	Blue	●	●	●	●	●	●	●	●	●	●	●	●	●	●	●
	Violet														●	
Sound Function	dB				88	88	88	88	90	90	88		90	90	90	
	Sounds				1	1	1	1	1	1	1		1	1	1	
Light	Bulb		●	●					●	●		●	●	●	●	●
	LED	●			●	●	●	●			●					
	Halogen															
IP Rating		23	23	23	23	23	23	23	23	23	23	23	54	54	23	23
	w/Gasket	55	55	55	55	55	55	55	55	55	55	55	55	55	55	55

## Explosion-proof Signal Tower

												
Model		EDLM	EDWM	AR-070	AR-078	EHS/EHV	LKEH-FV	LKEH-FE	CLN	CLK	CLA	RES-A
Page No.		50		52	53	55	54		56	57	58	59
Voltage	DC12V											▲
	DC24V	●	●	●	●	●	●	●	●	●	●	▲
	AC24V	●	●	●	●							
	DC48V											●
	AC100V	●										●
	AC120V	●										▲
	AC90-250V		◎									
	AC220V											●
	AC230V											●
AC240V											▲	
Zone	1, 21	●	●									
	2, 22	●	●	●	●	●	●	●	●	●	●	
Conformity	CE	●	●	●	●	●	●	●	●	●	●	
	Ex	●	●	●	●	●	●	●	●	●	●	
IP Rating		66	66	65	65	65	54	54	66G/67G/69K	66G/67G/69K	66/67/69K	66

162				182	186	187	204		
KP-A	SKHB-1006D	SKL-A	RLR	HP	KG	SKC-A	SKV-A	HKFM	
141	140	137	146	143	144	138	139	145	
●		●	●	●	●	●	●	●	
		●	●						
●		●			●	●	●		
●							●	●	
●	●		●					●	
		●							
		●	●	●	●		●	●	
●		●	●	●	●		●	●	
●		●	●	●			●	●	
●		●	●	●			●	●	
	75								
	1								
●	●	●			●	●	●		
			●					●	
23	23	23	66		23	23	66		

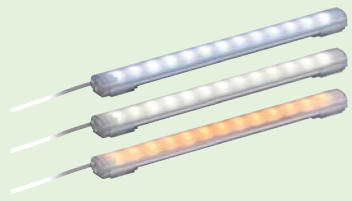


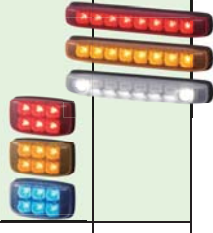
### Cube Tower

Size (mm)	70 x 70	82 x 82	116 x 116
Model	KUS	KJS(B)	KJ(B)
Page No.	148	150	152
Voltage	DC12V	●	
	DC24V	●	●
	AC24V	●	
	AC100V	●	●
	AC120V	●	●
	AC220V	●	●
Body Color	Ivory White	●	●
Alarm Function	dB	80	85
	Tones	1	1
Transistor Input	PNP		●
	NPN		
IP Rating	54	23	23

### Signal Light

Diameter (mm)	57		100			107	82		162		187
Model	NE-24	KHE	LFH	LFK	PEW-A	PES-A	PSE	KPE-A	XPE	XME	
Page No.	120	121	26	27	122	122	25	124	28	29	
Voltage	DC12V		●	●			●		●	●	
	DC24V	●	●	●	●		●		●	●	
	AC24V					●	●				
	DC48V			●	●						
	AC100-230V			⊙				⊙	⊙	⊙	
	AC100V					●	●		●		
	AC120V					●	●				
	AC200V					●	●				
	AC220V								●		
Body Color	White	●	●		●	●	●	●			
	Silver		●			●					
	Black			●							
Transistor Input	PNP	●	●			●		●			
	NPN	●	●			●					
Sound Function					●						
IP Rating		65	23	66	55	54	23	23	23		
	w/Gasket		55				55				






# LED Lights

																		
Model		CLA						CLK						CLN		LP3	LP5	
Size (mm)		100	200	300	600	900	1200	1500	-AG	-AG	-AS	-SG	-AG	-AS	-(P)T	-(P)T	110	240
Page No.		156						158						20		30	31	
Voltage	DC24V	●	●	●	●	●	●	●	●	●	●	●	●	●	●	●		
	DC12/24V																●	●
Body Material	Aluminum								●	●	●		●	●	●	●		
	Stainless Steel										●							
	Polycarbonate	●	●	●	●	●	●	●	●	●			●				●	●
Cover	Tempered Glass								●	●		●	●		●	●		
	PMMA Resin										●			●				
	Polycarbonate	●	●	●	●	●	●	●			●			●			●	●
Light Color	Daylight	●	●	●	●	●	●	●	●	●	●	●	●					
	Natural White	●	●	●	●	●	●	●	●	●	●	●	●	●	●			
	Warm White														●	●		
	Red																●	●
	Amber	●		●													●	●
	Blue																●	●
Resistance	Water	●	●	●	●	●	●	●	●	●	●	●	●	●	●	●	●	●
	Oil											●			●	●		
	Dust	●	●	●	●	●	●	●	●	●	●	●	●	●	●	●	●	●
IP Rating		66/67/69K						66G/67G/69K						66G/67G/69K		-		









## Audible Alarms & Annunciators

													
Model		BM	BM-H	BM-D	BD	BK	BSV	BDV	BKV	EHS	EHV	EWHS	FV-127JP
Page No.		162			164	166	176	178	180	22		168	182
Voltage	DC12V				●	●		●	●	●	●	●	
	DC24V	●	●	●	●	●	●	●	●	●	●	●	●
	AC24V	●	●	●									
	DC48V												
	AC100V	●	●	●	●	●		●	●	●	●	●	
	AC120V		●									●	
	AC200V											●	
	AC220V	●	●	●								●	
Body Color	Ivory White				●	●	●	●	●	●	●	●	
	Red											●	
	Yellow											●	
	Black	●	●	●			●	●	●	●	●		
	Silver						●						
Sound Function	dB (at 1m)	80	90	80	90	95	87	87	95	110	105/110	105	
	Melody/Alarm	●	●	●	●	●					●	●	
	MP3						●	●	●	●	●		●
Channel Inputs	2	2	2	4	8	4(15)	4(15)	5(31)	8(32)	8(63)	1	7(127)	
Playback Sounds (sec)				32	32	63	63	63	31	63		480	
Sound Reduction						●			●	●		●	
Transistor Input	PNP	●			▲	▲	●					●	●
	NPN	●			●	●	●	●	●	●	●	●	●
IP Rating		-	-	34	54	54	54	54	54	54	54	53(65)	-

## Hybrid Annunciators

								
Model		LKEH-FE	LKEH-FV	RFT	RFV	RT-FE	RT-FV	KJT
Page No.		186		188	190	192		194
Voltage	DC24V	●	●	●	●	●	●	●
	AC24V							●
	AC100V	●	●	●	●	●	●	●
	AC200V							●
	AC220V	●	●	●	●	●	●	
Sound Function	dB (at 1m)	105		90	90	105	105	95
	Melody/Chimes	●		●		●		●
	MP3		●		●		●	
Channel Inputs		32			15	8		4
Playback Duration (sec.)		63			63	32		16
Transistor Input	PNP	●	●		▲			
	NPN	●	●	●	●	●	●	●
IP Rating		53	53	54	54	23 (65)	23 (65)	23

# Symbols Used in this Catalog

## Light Source

**LED**



High-intensity LEDs with about 60,000 hours worth of service life and low power consumption that outlasts any bulb.

**Daylight  
Warm White**



Temperature Color LEDs with a service life longer than incandescent and fluorescent, but with lower power consumption.

**Bulb**



Economical and readily available from PATLITE.

**Halogen**



Small and bright halogen bulb with long-life.

## Sounds

**Electronic  
Sound 1**

Alarm with sounds that are easy to recognize and gentle on the ears.

**85dB at 1m**

Maximum sound pressure level based on controlled environmental conditions and recorded contents (such as melodies, alarms or messages).

**4 Channels**

The number of channels available when dividing the total recording time to making several different messages.

**63 Seconds**

The maximum recording time using the standard bit rate for the product. (Standard bit rate is usually 64kb/sec)

Some of PATLITE's audible alarm products may contain copyrighted music or songs which Patlite has not applied for permission to use outside Japan, so please contact your local copyright association before using certain audible alarm products. This disclaimer may not apply if the copyright association has not claimed the copyright of the music or songs in a particular country or jurisdiction.

## Protection Resistance

**IP65K**

Protection Resistance classification for dust-proof, water-proof, and water-jet resistance based on ingress protection index. (CEI/IEC 529).

**Explosion-Safe**

Meets ATEX, NEC, CE and most other applicable Explosion-Safe standards.

## Specifications

**Ø65**

The diameter size to fit into solutions like compact sized installations to fit perfectly onto that machine.

**NPN/PNP  
Open-collector**

Open collector allows direct connection to a PLC without the use of voltage-contact relays, etc.

**Dual-face Reflector**

The symmetrical dual-face reflectors emit a powerful rotating light.

**Cable**



Most products come with stranded wiring, but this corresponds to PATLITE products that offer cables as a standard or optional item.

**Network**

Use the latest technology in network protocol to communicate between product and machine or product-to-product.

**Terminals**



PATLITE now offers products that come with terminal connections to meet customer demands for easier wiring options.



Products that emit sounds or voices, or both.



Sounds that are gentle on the ears in familiar sounds like melodies, and distinguishable alarms, along with MP3 programmable messages.



For more details on these products, refer to the Instruction Manuals and specification sheets prior to use. Follow all safeguards to prevent fire, electric shock or other accidents. Specifications are subject to change without prior notice.

# New Products



# CLN

## LED Work Light



Daylight  
Warm White



IP66G/67G/69K



## Water and Oil resistant high-power LED Work Light with an illuminance of 820 lx.

### Industry's thinnest design at 22.2mm.

#### \*The industry's first based on corporate investigation

- Made of aluminum alloy and tempered glass which is resistant to water, oil and coolants.
- Special design disperses heat radiation with illumination to surpass a 40W light bulb.
- The product lineup includes two colors (Daylight, Warm White) and two bracket options of Tilt (forward and back) or Pan & Tilt (forward, back and swivel left & right) to adapt to various scenarios.
- The operating temperature range of -40 to +60°C allows installation in sub-freezing temperature environments, such as cold storage warehouses.
- Conforms to CE and RoHS requirements.
- UL Listed (File No. E306141).

### How to Order

#### CLN-24-CD-PT

Movable Type

T : Tilt

PT : Pan/Tilt

Luminous Color

-CD (Daylight)

-CL (Warm White)

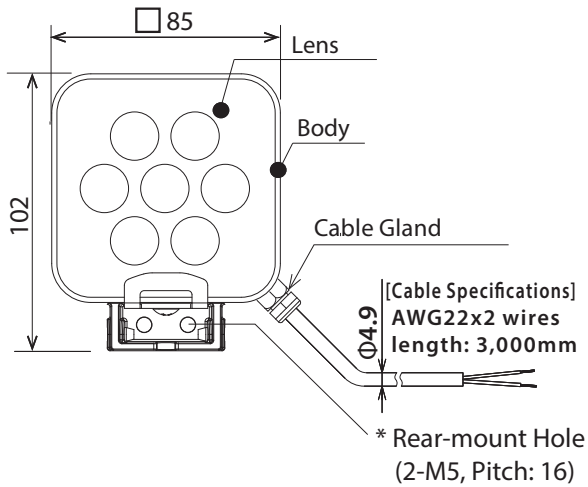
### Specifications

Model	CLN-24-[ ]-T		CLN-24-[ ]-PT	
	CD (Daylight)	CL (Warm White)	CD (Daylight)	CL (Warm White)
Color Code (Color)	CD (Daylight)	CL (Warm White)	CD (Daylight)	CL (Warm White)
Color Temperature (typ.)	6500K	2700K	6500K	2700K
Illumination (typ.) (Centered at DC 24V)	820 lx	620 lx	820 lx	620 lx
Total Luminous Flux (typ.)	550 lm	330 lm	550 lm	330 lm
Rated Voltage	DC 24V (Polarized)			
Operating Voltage Range	DC 24V ±10%			
Protection Rating	IP66G/67G (JIS C 0920)/69K (DIN 40050 part 9) (excluding Cable ends)			
Mounting Location/Direction	Indoor / Any Direction			
Mass (Tolerance ±10%)	360g		430g	

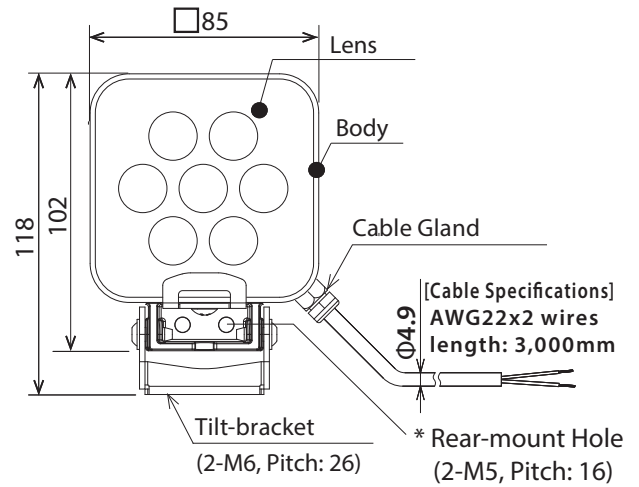
# Dimensions

Unit: mm

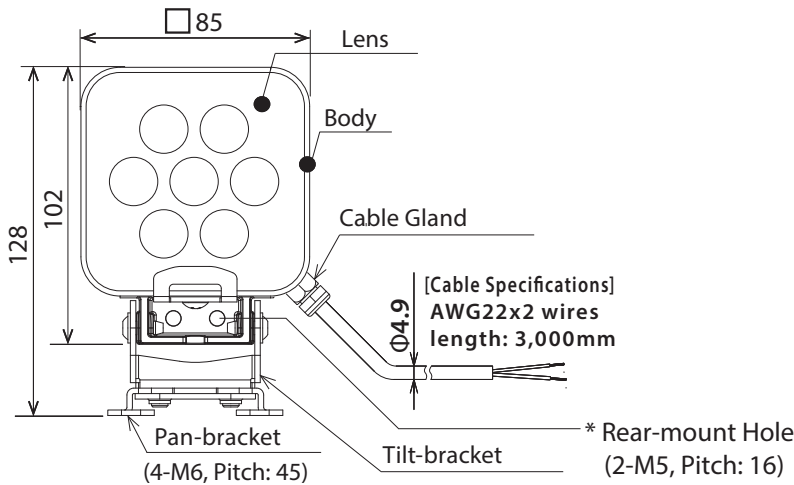
## • Rear-mount Type (T/PT Type)



## • Tilt Type (T Type)

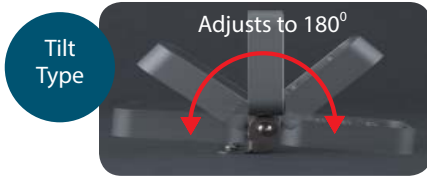


## • Pan/Tilt Type (PT Type)



# Features

Tilt Type (T Type)



Has tilt adjustment of 180°, and can be folded up to a width of 33mm, making it easier to mount.

Floor Mount Example



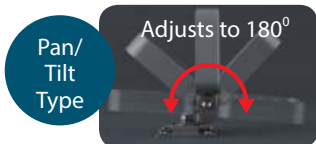
Wall Mount Example



Ceiling Mount Example



Pan/Tilt Type (T Type)



Has tilt adjustment of 180° with a pan angle of 120°, and can be folded up to a width of 43mm. Horizontal wall-mounting and free adjustment for any application.

Floor Mount Example



Wall Mount Example



Ceiling Mount Example



※ The tilt & pan/tilt brackets can also be removed for Rear Attachment applications.

# EHS/EHV



## MP3 Alert/Melody/Alarm Horn



**110** dB at 1m

**63** Channels (Binary)

**220** Seconds

**IP65**

NPN/PNP  
Open-collector

**Cable**

**Terminal**

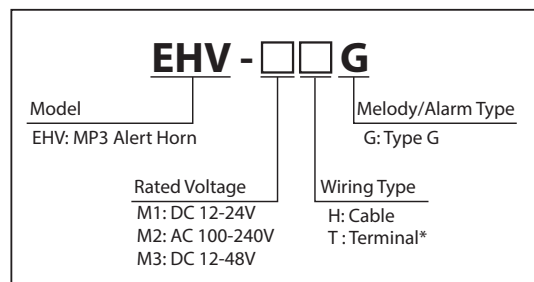
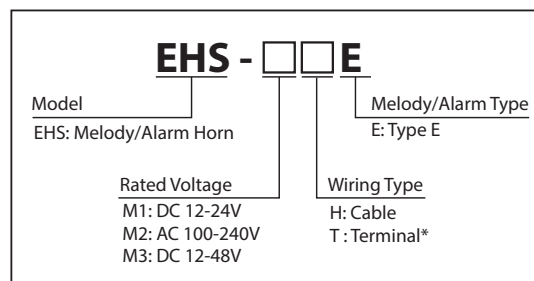


## Exceptional Sound Quality Field Programmable MP3 Melody/Alarm Horn

### FEATURES

- EHS comes with 32 preloaded melody and alarm sounds with adjustable volume up to 110dB (@ 1m).
- EHV comes with 63 preloaded crisp and clear melody and alarm sounds with adjustable volume up to 110dB (@ 1m).
- EHV offers a field-programmable MP3 function with a maximum of 220 sec. of recording time (@ 64bps) and an adjustable volume up to 105dB (@ 1m).
- Ideal for plant-wide notification, public address and process control.
- Robust, indoor and outdoor use with vibration resistance up to 4.5G.
- Protection Rating of IP65.
- UL464, CSA-C22.2 NO.205-M1983, FCC Part 15 Subpart B Class 4.
- CE, RoHS Compliant (EHS-M1 and EHV-M1 Only).

### How to Order



### EHS vs EHV (Functionality Comparisons)

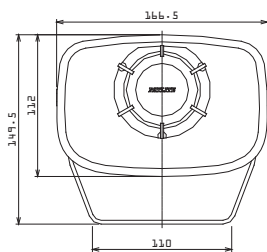
Model	Onboard Sounds	MP3 Playback	Playback Modes	No. of Playback Channels
EHS	32 Sounds	No	1 Mode	8 ch Bit Input/ 32 ch Binary Input
EHV	63 Sounds	Yes*	4 Modes	8 ch Bit Input/ 63 ch Binary Input

\* Internal Memory size of 2 Mbytes, maximum playback of 220 seconds at a 64kbit/sec rate

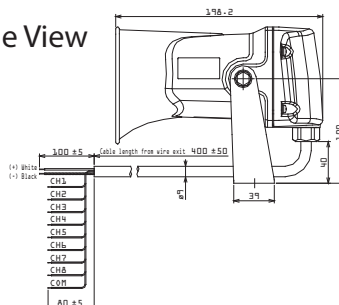
\* Terminal type not available for EHS-M3 or EHV-M3

### Dimensions

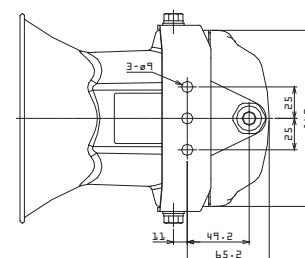
#### • Front View



#### • Side View

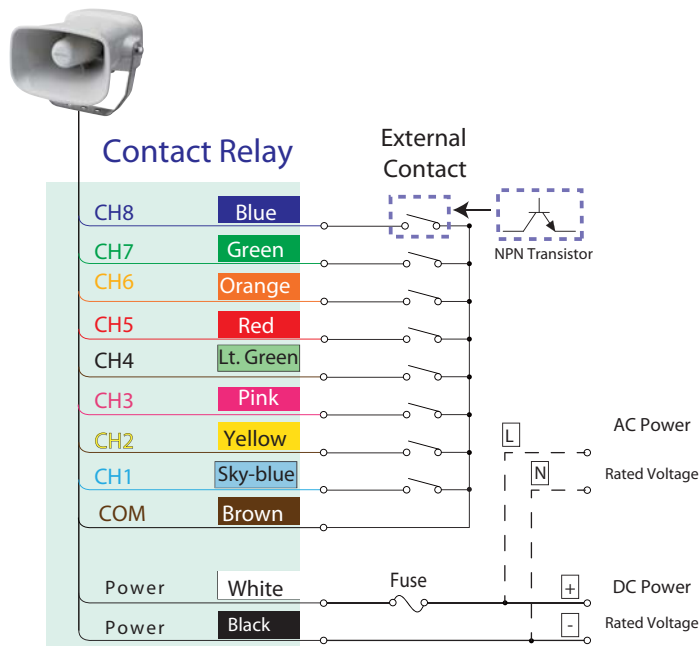


#### • Underside View

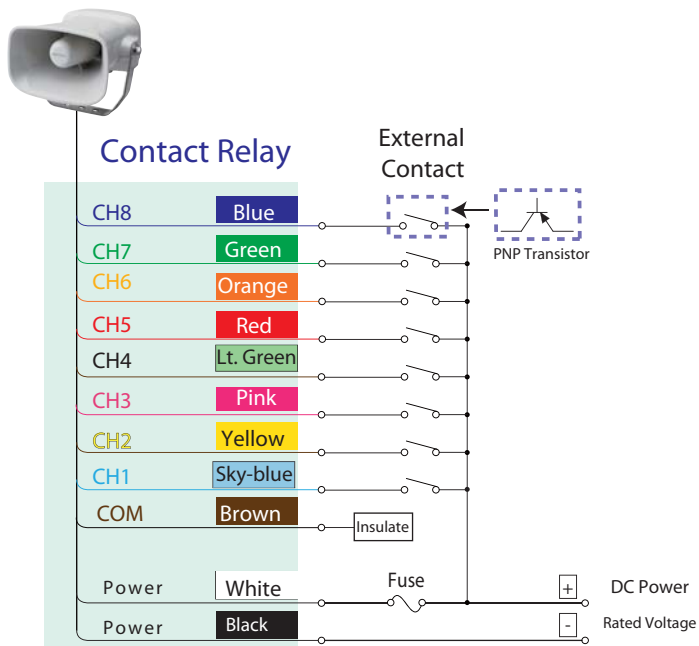


## Wiring

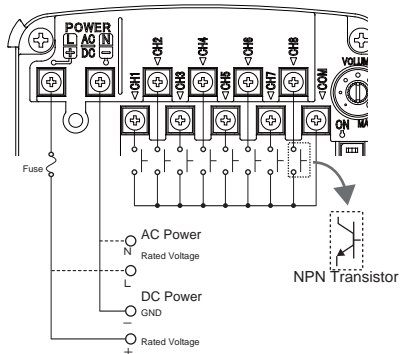
### • Non-voltage (NPN) Wiring



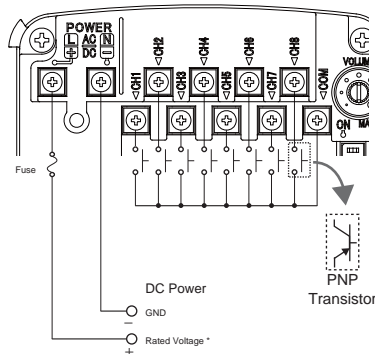
### • PNP Wiring



### • Terminal (NPN)



### • Terminal (PNP)



Transistor Capacity (NPN & PNP)	
Current Capacity	$I_c \geq 15\text{mA}$
Current Leakage	$I_L \leq 0.1\text{mA}$
Withstand Voltage	$V_C \geq 35\text{V}$
ON Voltage ( $V_{\text{sat}}$ )	Less than 1V

Recommended Fuse	
Rated Voltage	250V
Rated Current	1A
Fuse Type	Standard

Maximum Inrush Current	
EH□-M1	12.5A
EH□-M2	23.0A
EH□-M3	45.0A

## Specifications

### EHS

Model	Rated Voltage	Voltage Range	Power Consumption	Sound Pressure	Operating Temperature Range	No. of Playback Messages	Protection Rating	Wiring Type	Mass
EHS- M1H	DC 12 - 24V	DC 10.8V to 26.4V	5.0W (DC24V NPN, Non-voltage Contact)	Alarm: Max. 110dB (at 1m)	-20°C to +50°C (85% RH or less)	Bit Input: 8 Binary Input: 32	IP65	Cable	1.25kg
EHS- M1T			5.9W (DC24V PNP, Voltage Contact)					Terminal	
EHS- M3H	DC 12 - 48V	DC 10V to 60V	5.1W (DC48V NPN, Non-voltage Contact)					Cable	1.15kg
EHS- M2H			6.9W (AC240V NPN, Non-voltage Contact)					Cable	1.25kg
EHS- M2T	AC 100 - 240V	AC 90V to 264V		Terminal					

### EHV

Model	Rated Voltage	Voltage Range	Power Consumption	Sound Pressure	Operating Temperature Range	No. of Playback Messages	Protection Rating	Wiring Type	Mass
EHV- M1H	DC 12 - 24V	DC 10.8V to 26.4V	4.0W (DC24V NPN, Non-voltage Contact)	Alarm: Max. 110dB (at 1m)	-20°C to +50°C (85% RH or less)	Bit Input: 8 Binary Input: 63	IP65	Cable	1.25kg
EHV- M1T			5.0W (DC24V PNP, Voltage Contact)					Terminal	
EHV- M3H	DC 12 - 48V	DC 10V to 60V	5.6W (DC48V NPN, Non-voltage Contact)					Cable	1.15kg
EHV- M2H			5.3W (AC240V NPN, Non-voltage Contact)					Cable	1.25kg
EHV- M2T	AC 100 - 240V	AC 90V to 264V		Terminal					

Note 1: The sound pressure level is based on measurements under controlled conditions (voice-synthesized 1 kHz sine wave played back from a distance of 1 meter), therefore the surrounding environmental conditions and message content will result in different values for the sound pressure level.

Note 2: Even when starting two or more units simultaneously, a lag will occur during message playback.

• 4 Playback Modes

**Normal Playback** Designated audio message is played back by distinctive signal input. Audio message is played back once in case of one shot input, and audio message is repeated when the signal is input continuously.

**Latest Input Priority Playback** When a signal is input during a message playback, the current message playing back will be stopped, and the message of the signal input will be played instead.

**Memory Playback** Up to 23 audio message inputs can be memorized in order of input. After one playback is finished, the next memorized audio message will be played back. The inputs exceeding the limit will not be memorized.

**Momentary Playback** Audio message is played back only while the signal input is maintained. Playback will be stopped when the signal input is stopped.

**Get the Playlist Editor 2 (free from PATLITE)**

- Contact us by E-mail located on the back of this catalog.
- Convert any message into MP3 data and save it onto an SD Card (with the use of the Playlist Editor 2).
- Insert the SD Card into a PATLITE MP3 product for easy programming.

Application Software	Usable	Outline
PATLITE Playlist Editor 2	Yes	This is a newer version of the PATLITE Playlist Editor. A playlist package can be created and the MP3 data and channel function assignment for the product can be rewritten.
FV-Win	No	This product is not compatible with the playlist created by FV-Win or the PATLITE Playlist Editor.
PATLITE Playlist Editor	No	However, the playlist can be changed into a playlist package using the PATLITE Playlist Editor 2.

**Type-F (For Japan Only)**

Beep (slow intermittent)	Spring Melody	A Maiden's Prayer	Itsy Bitsy Spider	BANZAI SUKIDE YOKATA
Stutter (rapid intermittent)	Game Intermission	Bach Minuet in Gmaj	The Music Man	NAMONAKI UTA
Bell (clear high-pitch)	Jalopy Horn	Annie Laurie	Spanish Romance	SOUSEINO AKUERION
Yelp (rapid siren)	Galactic Doorbell	London Bridge is falling down	Katyusha	MAMBO NO 5
Rapid Hi-Lo	RR-crossing	Holdididia	Ave Maria	The Parade of the Tin Soldiers
Melody Chime	Digital Train Whistle	Mary had a little Lamb	Grandfather's Clock	Turkey in the Straw
Synthesized Piano	Train Ride	The Camptown Races	RHYTHM AND POLICE	Aka tombo
Synthesized Bell	Starting Notice Chime1	Cuckoo Song	ZANKOKUNA TENSHINO TEEZE	Funiculi, Funicula
Stutter + Bell	Starting Notice Chime2	MURANO KAJIYA	MAJINGAA ZETTO	Furusato
Melody Chime	Starting Notice Chime3	On the Bridge of Avignon	HATARAKU KURUMA	Beautiful Dreamer
Chime	Ending Notice Chime1	Daydream Believer	NINGENTTE IINA	JOLLY HOLIDAY
Call Sign	Ending Notice Chime2	Amaryllis	ROBINSON	
Galactic Hovercraft	Fur Elise	Mozart Symphony No. 40	WORLD FOOTBALL ANTHEM	

**Type-G (All Countries)**

Beep (slow intermittent)	Galloping Hi-Lo	Galactic Doorbell	Mozart Symphony No. 40	Polka Trablanka
Stutter (rapid intermittent)	Alien Chatter	RR-crossing	Ave Maria	O Vreneli
Bell (clear high-pitch)	Falling Crystals	Starting Notice Chime1	Grandfather's Clock	KAERUNO GASSHOU
Yelp (rapid siren)	Inverted Reveille	Starting Notice Chime2	The Parade of the Tin Soldiers	El Condor Pasa (If I Could)
Rapid Hi-Lo	Galactic Motor	Ending Notice Chime1	If You're Happy and You Know It	Hungarian Dance No.5
Melody Chime	Ringling Phone	Ending Notice Chime2	Flea Waltz	William Tell Overture
Synthesized Piano	Two Tone	Fur Elise	Turkey in the Straw	Pomp and Circumstance
Synthesized Bell	Alarm Clock	Bach Minuet in Gmaj	The Battle Hymn of the Republic	Comedians' Galop
Stutter + Bell	Ringling Hi-Lo	Annie Laurie	J'ai perdu le do de ma clarinette	Nedelka
Melody Chime	Galactic Hovercraft	London Bridge is falling down	Can-can	Moonlight Serenade
Chime	Spring Melody	Mary had a little Lamb	Radetzky March	WAREWA UMINO KO
Call Sign	Game Intermission	The Camptown Races	Funiculi, Funicula	
Train Ride	Jalopy Horn	Amaryllis	Csikos Post	

**Type-A (For Japan Only)**

Beep (slow intermittent)	Stutter (rapid intermittent)	Bell (clear high-pitch)	Yelp (rapid siren)
Rapid Hi-Lo	Melody Chime	Synthesized Piano	Synthesized Bell
Stutter + Bell	Synthesized Melody Chime	Chime	Call Sign
Fur Elise	Maiden's Prayer	Bach Minuet in Gmaj	Annie Laurie
London Bridge is falling down	Hol-di-ri-Dia	Mary had a little Lamb	Camptown Races
Cuckoo Song	Village Blacksmith	On the Bridge of Avignon	Daydream Believer
Amaryllis	Mozart Symphony No. 40	Quiet Lakeside	Ich bin ein Musikante
Spanish Romance	Katyusha	Grandfather's Clock	Ave Maria

**Type-C (For Japan Only)**

Beep (slow intermittent)	Stutter (rapid intermittent)	Bell (clear high-pitch)	Yelp (rapid siren)
Rapid Hi-Lo	Melody Chime	Synthesized Piano	Synthesized Bell
Stutter + Bell	Synthesized Melody Chime	Chime	Call Sign
Can't take my eyes off of you	Top of the World	The Entertainer	Amazing Grace
Amairono Kamino Otome	Les Champs-Elysees	Canon	Rara Sunshine
Uchuusenkan Yamamoto	Oshiete	Makenaide	Gonna Fly Now (Theme from "Rocky")
I don't Wanna Miss a Thing	Yozorano Mukou	Aiwa Katsu	Haruyo Koi
Gattsudaze	Odoru Ponpokorin	Imasugu Kisu Mi	Truth

**Type-D (For Japan Only)**

Beep (slow intermittent)	Stutter (rapid intermittent)	Bell (clear high-pitch)	Yelp (rapid siren)
Rapid Hi-Lo	Melody Chime	Synthesized Piano	Synthesized Bell
Runner	Mamotte Agetai	Chime	Call Sign
Iribiao Kikinagara	September	Doyoubino Koibito	Akino Kehai
Saafu Tengoku Sukii Tengoku	Iro White-blend	Happy Birthday	Hi Ho
I've been working on the Railroad	The Bear Song	Toys Go "Cha-cha-cha"	Konnako Irukana
Schubert's Lullaby	Rudolph the red-nosed Reinder	She Wore a Yellow Ribbon	My Darling, Clementine
Yellow Rose of Texas	Yankee Doodle	When the Saints Go Marching In	Londonderry Air

**Type-E (All Countries)**

Beep (slow intermittent)	Stutter + Bell	Inverted Reveille	Annie Laurie
Stutter (rapid intermittent)	Melody Chime	Galactic Motor	London Bridge is falling down
Bell (clear high-pitch)	Chime	Ringling Phone	Mary had a little Lamb
Yelp (rapid siren)	Call Sign	Two Tone	Camptown Races
Rapid Hi-Lo	Train Ride	Alarm Clock	Amaryllis
Melody Chime	Galloping Hi-Lo	Ringling Hi-Lo	Mozart Symphony No. 40
Synthesized Piano	Alien Chatter	Fur Elise	Ave Maria
Synthesized Bell	Falling Crystals	Bach Minuet in Gmaj	Grandfather's Clock

**Use of Copyrighted Material**

PATLITE Corporation has not applied for permission to use certain copyrighted music or songs recorded for Type-A, Type-C, Type-D and Type-F melody charts outside of Japan. Therefore, please contact the local copyright association for permission before using the product in case this product is used outside of Japan. Melody charts Type-E and Type-G are recommended for use outside of Japan as this playlist does not include copyrighted music or songs, and permission is not required.



# PSE

## LED Signal Light

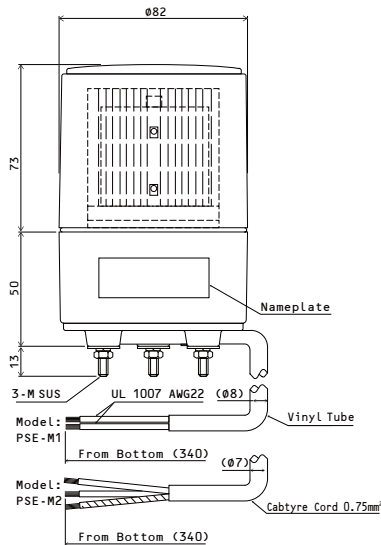


- LED
- IP23
- Ø82

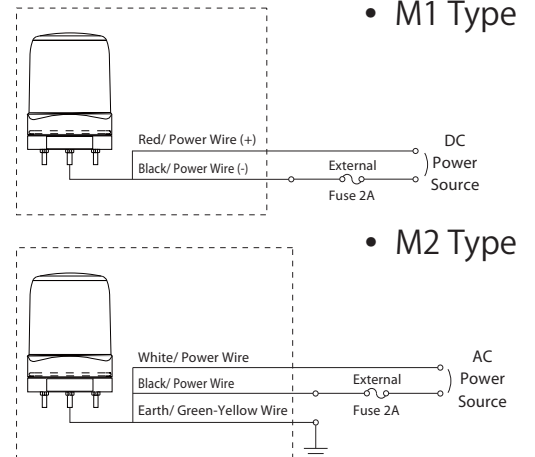


**New LED flashing beacon! Can outlast a conventional Xenon lamp and is available in four LED Colors.**

### Dimensions



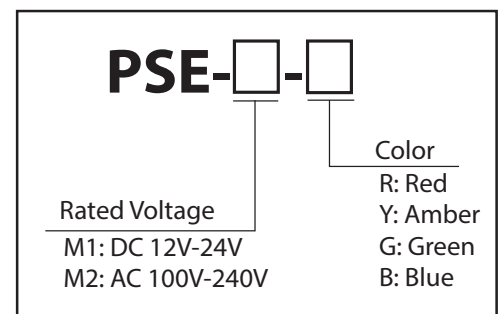
### Wiring



### Specifications

Model	PSE-M1	PSE-M2
Rated Voltage	DC 12V - 24V	AC 100V-240V
Power Consumption	2.4W (max.)	3.2W (max.)
Maximum Operating Ambient Temperature	60°C	
Protection Rating	IP23	
Mounting Location	Indoor or Outdoor Use	
Flash Rate	110 ±10rpm (Triple-flash)	
Mass	0.30kg	0.35kg

### How to Order



# LFH

## LED Signal Light



LED



IP66

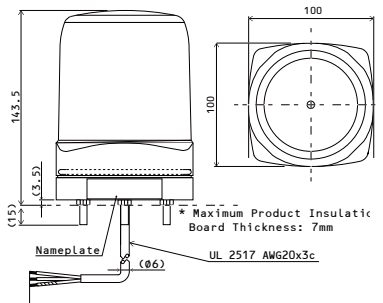
Ø100



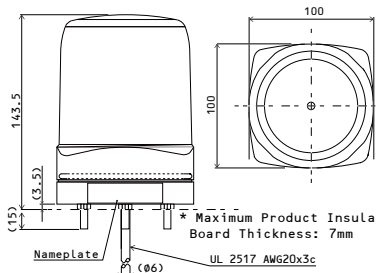
**New LED flashing beacon! Available in five outdoor visible LED Colors and has UL certification.**

### Dimensions

- LFH

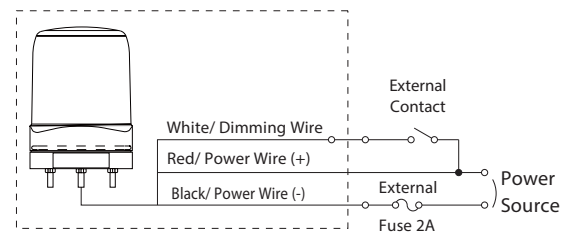


- LFH-M1

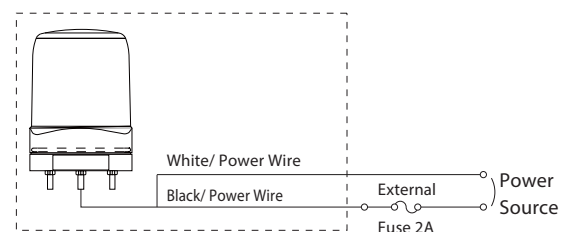


### Wiring

- LFH



- LFH-M1

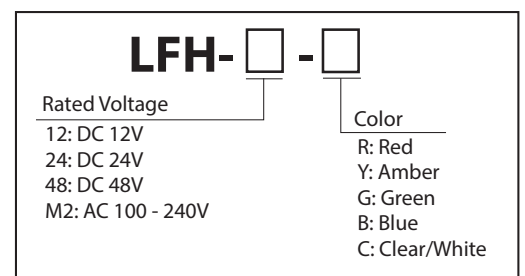


### Specifications

Model	LFH-12	LFH-24	LFH-48	LFH-M2
Rated Voltage	DC 12V	DC 24V	DC 48V	AC 100 - 240V
Current Consumption (max)	0.50A	0.23A	0.18A	0.12A
Operating Ambient Temperature Range	-30°C to +70°C		-20°C to +60°C	
Protection Rating	IP66			
Mounting Location	Indoor or Outdoor Use			
Flash Rate	110 ±10fpm (Triple-flash)			
Certifications	UL, CE <sup>*1</sup> , RoHS, FCC			
Mass	0.57kg		0.61kg	

\*1 LFH-48 not CE certified.

### How to Order



# LFK

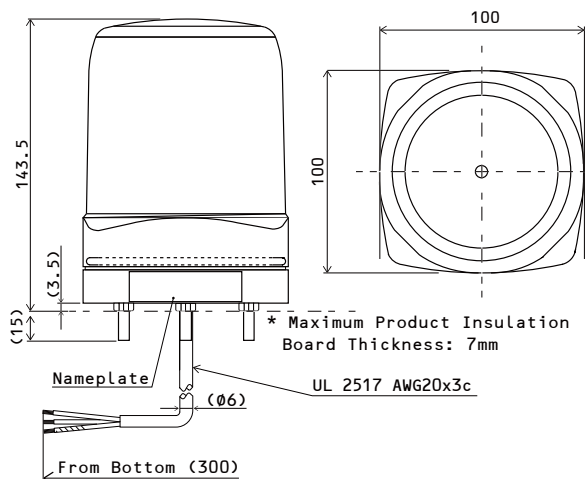
## LED Signal Light



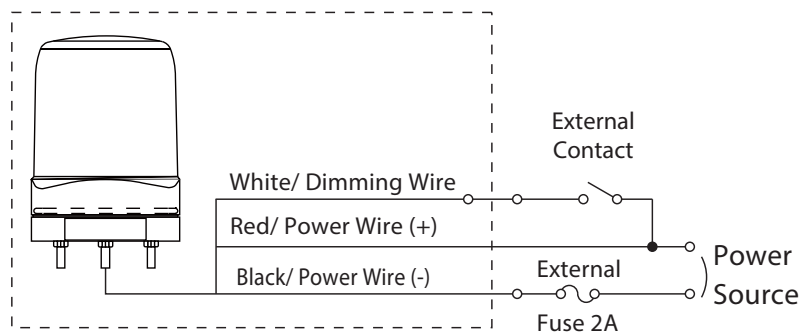
- LED
- IP55
- Ø100

## New LED flashing beacon! So bright, it has a dimming input.

### Dimensions



### Wiring

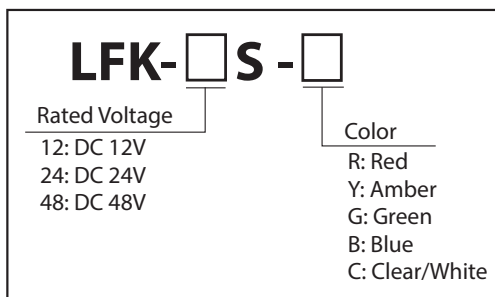


### Specifications

Model	LFK-12S	LFK-24S	LFK-48S
Rated Voltage	DC 12V	DC 24V	DC 48V
Current Consumption (max)	0.49A	0.19A	0.17A
Operating Ambient Temperature Range	-20°C to +60°C		
Protection Rating	IP55		
Mounting Location	Indoor or Outdoor Use		
Flash Rate	140 ±14fpm (Triple-flash)		
Certifications	CE <sup>1</sup> , RoHS, ECE		
Mass	0.5kg		

\*1 LFK-48 not CE certified.

### How to Order



# XPE

## LED Signal Light

LED



IP23

Ø162



## New LED flashing beacon! Available in four LED Colors.

### FEATURES

- Long-lasting LED's greatly reduce maintenance costs.
- Indoors allows upright, inverted, and sideways installation; outdoors allows upright installation only.
- Main Body is made of impact and heat-resistant ABS resin.
- Dome lens is made of superior weather-resistant and light-translucent AS resin.
- Available Colors are Red, Amber, Green, and Blue.

### Specifications

Model	XPE-12	XPE-24	XPE-M2
Rated Voltage	DC 12V	DC 24V	AC 100 - 230V
Voltage Range	DC 9.5-15V	DC 20 - 28V	AC 90 - 250V
Current Consumption	0.50A	0.23A	0.12A
Operating Ambient Temperature	-30°C to +70°C		-20°C to +60°C
Protection Rating	IP23		
Mounting Location	Indoor or Outdoor Use		
Flash Rate	110 ±10fpm (Triple-flash Pattern)		
Certifications	RoHS		

### How to Order

XPE-□-□

Rated Voltage

12: DC 12V

24: DC 24V

M2: AC 100 -230V

Color

R: Red

Y: Amber

G: Green

B: Blue

# XME

## LED Signal Light

**LED****IP23****Ø187**

## New Large Sized LED flashing beacon! Available in three LED Colors.

### FEATURES

- Extended product lifespan by using LED lights.
- Indoors allows upright, inverted, and sideways installation; outdoors allows upright installation only.
- Main body is made of a melamine baked finish with a corrosion-proof stainless steel (SUS 304) lens mounting fixture.
- Dome lens is made of superior weather-resistant and light-translucent AS resin.
- Mounting Bolts are drip-proof and made of rust-free stainless steel.
- Available Colors are Red, Amber, and Blue.

### Specifications

Model	XME-12	XME-24	XME-M2
<b>Rated Voltage</b>	DC 12V	DC 24V	AC 100 - 230V
<b>Voltage Range</b>	DC 9.5-15V	DC 20 - 28V	AC 90 - 250V
<b>Current Consumption</b>	0.50A	0.23A	0.12A
<b>Operating Ambient Temperature</b>	-30°C to +70°C		-20°C to +60°C
<b>Protection Rating</b>	IP23		
<b>Mounting Location</b>	Indoor or Outdoor Use		
<b>Flash Rate</b>	110 ±10fpm (Triple-flash Pattern)		
<b>Certifications</b>	RoHS		

### How to Order

**XME-**  -

Rated Voltage

12: DC 12V

24: DC 24V

M2: AC100 - 230V

Color

R: Red

Y: Amber

B: Blue

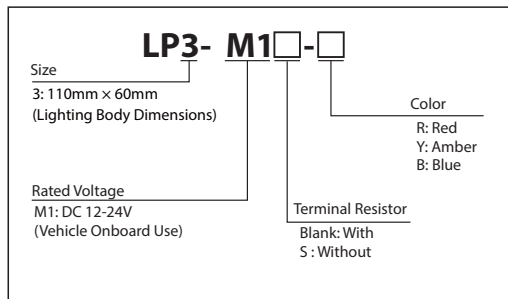
# LP3

## LED Signal Light

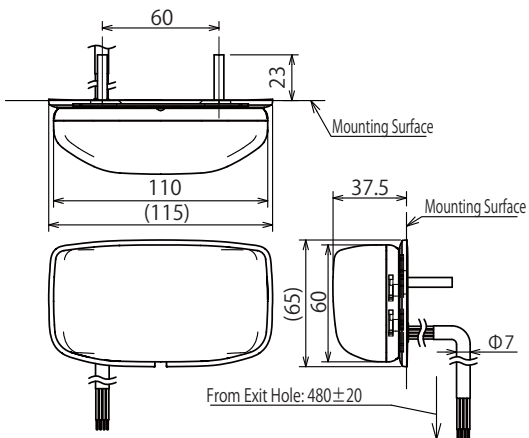
LED



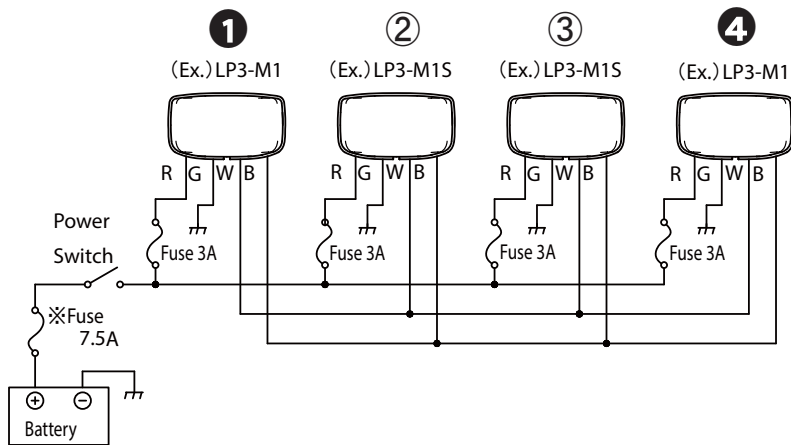
### How to Order



### Dimensions



### Wiring Example (Cascading)



### Specifications

Model	Rated Voltage	Operating Voltage Range	Current Consumption	Flash Pattern	Operating Temperature Range	Color	Mass
LP3-M1	DC12/24V	DC 9.5 - 30.0V	Max.: 0.7A	Triple-flash	-30°C - +75°C	Red, Amber, Blue	250g

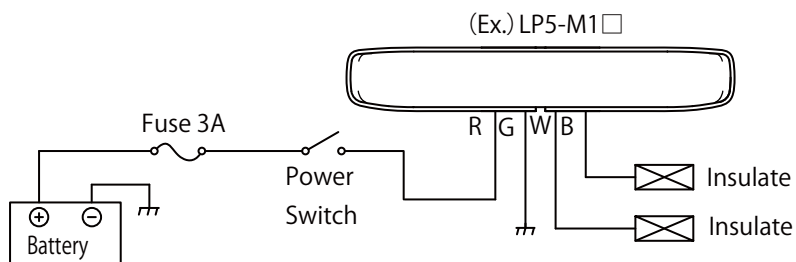
# LP5

## LED Signal Light

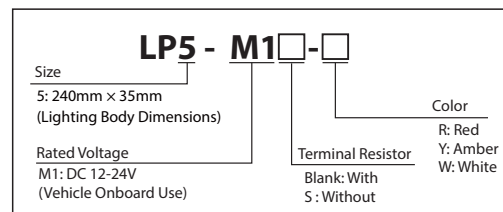


LED

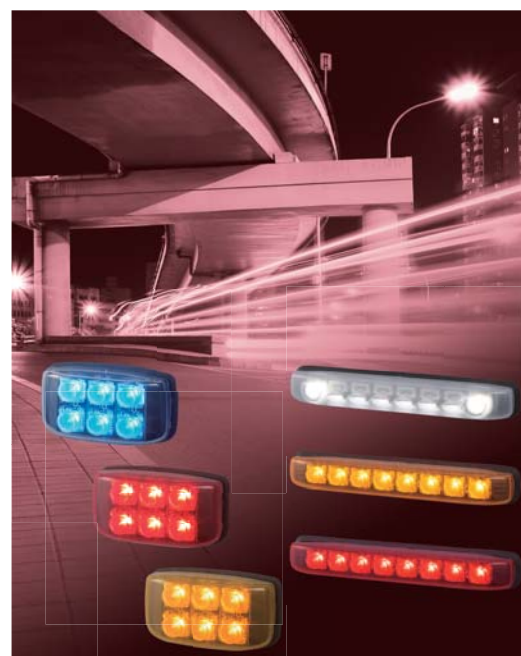
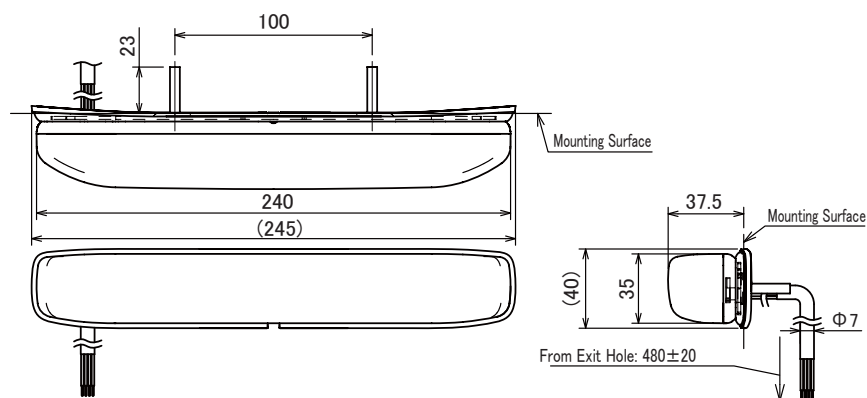
### Wiring Example (Individual)



### How to Order



### Dimensions



### Specifications

Model	Rated Voltage	Operating Voltage Range	Current Consumption	Flash Pattern	Operating Temperature Range	Color	Mass
LP5-M1	DC12/24V	DC 9.5 - 30.0V	Max.: 0.7A	Triple-flash	-30°C - +75°C	Red, Amber	300g
LP5-M1-W				Continous Lighting		White	

MEMO



# Network Products



# WD

## Wireless Data Acquisition System



WDT-6M  $\Phi 60$  Fits LME

WDT-5E  $\Phi 50$  Fits LE

Network

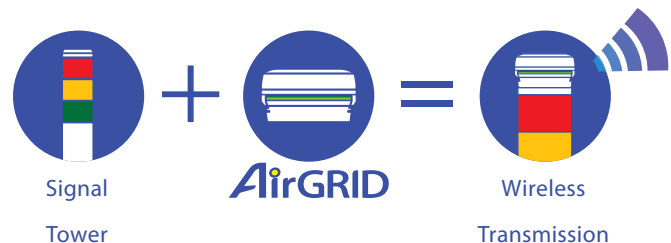
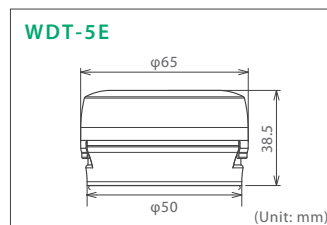
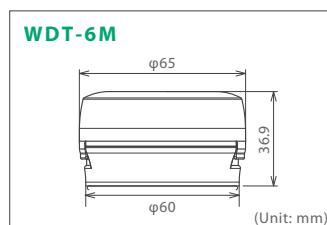
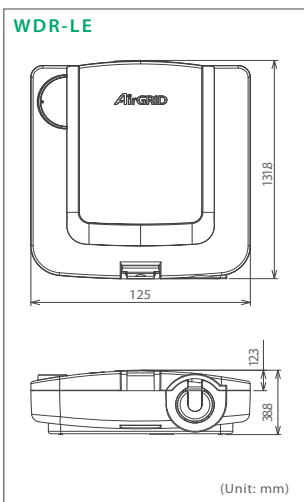


## Monitor remotely and collect data wirelessly from a PATLITE Signal Tower

PATLITE wireless add-on modules and receivers make PATLITE Signal Towers capable of sending electrical signals over a wireless network to a data center. PATLITE wireless add-on modules and receivers are a uniquely practical and economical solution for data acquisition, machine status remote monitoring, and supervisory control of industrial processes. The "AirGRID" is an effective solution for lean manufacturing and a visual factory. PATLITE wireless add-on modules comply with IEEE802.15.4, operating in the 2.4 GHz band.

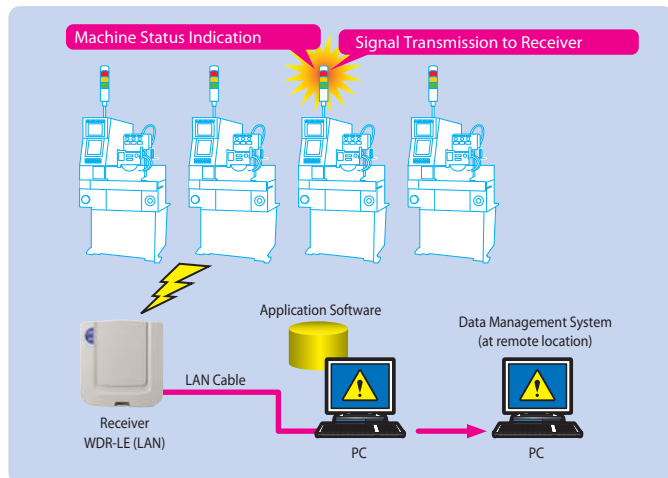
- 1) Simply add-on to a PATLITE Signal Tower  
Operating conditions of Patlite signal towers installed on production machines or process systems can be transmitted wirelessly to a data center. Data acquisition and remote monitoring are possible instantly and economically.
- 2) Wireless technology of today eliminates tedious wire installation  
The "AirGrid" add-on wireless modules tap their power from the PATLITE Signal Towers and transmit their electrical signals to the data center. This can reduce wiring, component installation and other related costs.
- 3) Multi-hopping topology and high transmitting reliability  
With wireless multi-hopping, it minimizes potential transmitting failures or errors, adding a high level of stable operation and transmission reliability.

### Dimensions



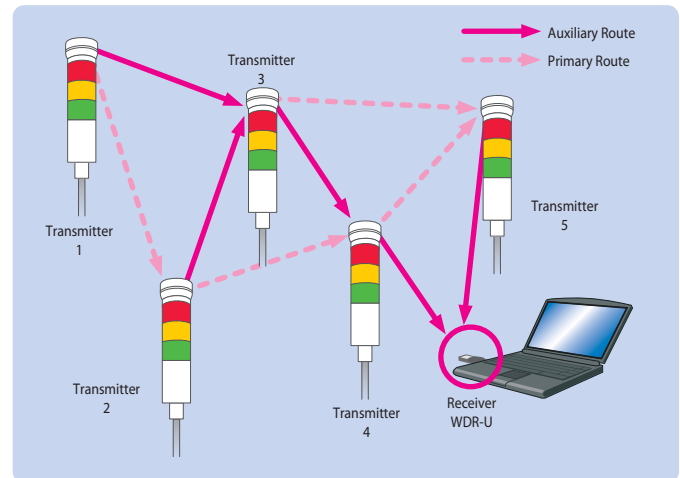
## Typical Applications

- Multiple stand-alone machines can be networked by the AirGrid for data archiving and remote monitoring.
- The status and condition of the machines are indicated by the PATLITE signal towers.

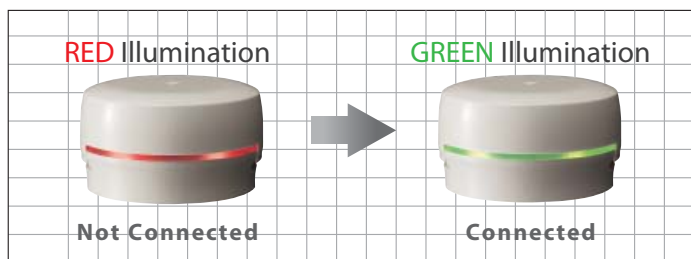


## Wireless Concept IEEE 802.15.4 2.4GHz

- Wireless hopping/routing functions and mesh topology can make flexible and reliable wireless network configurations possible.
- Data archived by the AirGRID is stored in a file format CSV which any off-the-shelf data management software e.g. SCADA can handle.

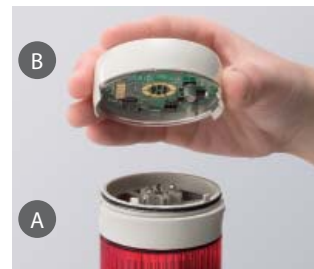


## Network Connection Condition



※ The transmitter is designed for PATLITE Model Series LME and LE Signal Towers. (As of Dec, 2012)

## Transmitter Installation



Affix the transmitter adaptor **A** on the Signal Tower and fasten it with the center screw. Then simply attach the transmitter **B** to the bracket. (Some applications don't require additional wiring.)

## Specifications

### Transmitters

Model	WDT-6M	WDT-5E
Applicable Signal Tower	Φ60 LME Series	Φ50 LE Series
Rated Voltage	DC 24V (No Polarity)	
Voltage Range	20.4V - 26.4V DC	
Current Consumption	35mA	
Operating Temperature	-10°C - +60°C (No Condensation)	
Storage Temperature	-20°C - +70°C (No Freezing)	
Relative Humidity	RH 85% or less	
Mounting Direction	Upright Position (Indoors Only)	
Protection Rating	Determined by PATLITE Signal Tower IP Ratings	
Dimensions (mm)	Φ65 x 36.9	Φ65 x 38.5
Mass	55g	

Ask your PATLITE Sales Representative for AirGrid compatible PATLITE Signal Towers

### Receiver

Model	WDR-LE (LAN/USB)
Rated Voltage	DC 24V (Power Supply not included)
Voltage Range	DC 20.4V - 26.4V
Current Consumption	150mA
Operating Temperature	-10°C - +60°C (No Condensation)
Storage Temperature	-20°C - +70°C (No Freezing)
Relative Humidity	RH 85% or less
Mounting Direction	Horizontal, Wall-mount (Indoors Only)
Protection Rating	IP20
Dimensions (mm)	131(H)x125(W)x38.5(D)
Mass	165g

## Features

Wireless Standard	IEEE 802.15.4 for Zigbee 2.4GHz
Frequency Bandwidth	2,400MHz - 2,483.5MHz (16 Channels at 5MHz Step starting from 2,405MHz)
Networking Connections	up to 20 Units (*1)
Antenna Output	Maximum 1mW
Compliances	FCC, CD (R&TTE), RoHS

(\*1) Number of possible Units to connect is based on the wireless environment and installation location

- \* This product operates on a frequency in compliance to FCC laws in the United States and its territories. Radio Laws for individual countries vary, and it is, therefore, the responsibility of the customer to comply with the laws in the country which applies to the application. Our company takes no responsibility directly, or indirectly, for claims from a customer or third party regarding Radio Laws or Wireless ordinance.
- \* This product requires application software for configuration and data acquisition. For more information on the latest software and solution to fit the application, please contact your nearest PATLITE Sales Representative indicated on the backside of this Catalog.

## Network Monitor Signal Tower



LED



4 Alarm Sounds

80db at 1m

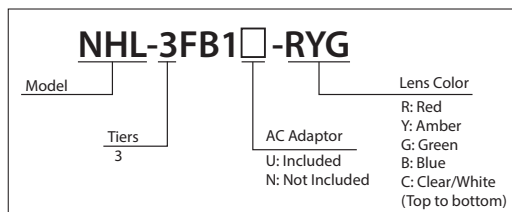
Ø60

Network

## Network Monitoring With a New Look

- Not dependent upon the OS.
- Supports common protocols such as HTTP, SMTP, SNMP and includes RSH.
- Easily works with NMS (network management/integration / monitoring) software, etc.
- Easily controllable by the SNMP SET command and RSH commands.
- Conforms to the CE requirements. (AC Adaptor does not carry the CE mark.)
- Four different alarm sounds can be correlated to match the prioritized monitoring level.
- Contains the ICMP protocol so PING monitoring can be set up for a maximum of 24 nodes.
- Using the IP Address of the NHL Tower, detailed setup functions can be accessed via a browser.

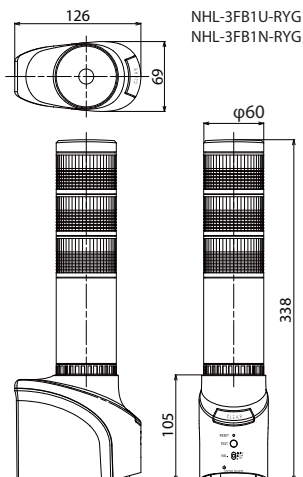
### How to Order



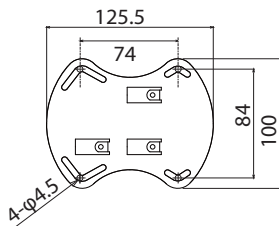
### Specifications

Model		NHL-3FB1U-RYG				NHL-3FB1N-RYG			
AC Adaptor	Rated Voltage	AC 100V to 240V				-			
	Operating Voltage Range	AC 90V to 264V				-			
Main Unit	Rated Voltage	DC 24V							
	Power Consumption	Unit	Red	Amber	Green	Blue	White	Buzzer	
		2.0W	1.5W	1.5W	0.8W	0.8W	0.8W	2.0W	
Operating Temperature Range		0°C - +40°C							
Storage Temperature Range		-10°C - +60°C							
Relative Humidity		RH of 20 to 80% (No Condensation)							
Vibration Resistance		19.6m/s <sup>2</sup>							
Protection Rating		IP20 (Not Waterproof)							
Alarm Sound	Audio Level	Three-position switch for "HIGH", "LOW", "OFF" "HIGH": 80dB or more "LOW": 70dB or less (Tested at 1m from diaphragm in upright position)							
	Tone Pattern	Four distinctive patterns: (Slow Intermittent), (Fast Intermittent), (Fast Burst), (Continuous)							
Switches	"CLEAR"	Pushbutton Switch							
	"TEST"	Pushbutton Switch							
	"RESET"	Pushbutton Switch							
	"BUZZER"	Slide Switch							
Communication Method	Ethernet	Physical Layer: 10BASE-T/100BASE-TX (Auto-negotiation/Full Duplex/ Half Duplex)							
		Data Link Layer: CSMA/CD							
		Network Link Layer: IP / ARP / ICMP							
		Transport Layer: TCP / UDP							
Application Layer: HTTP / RSH / SMTP / SNTP / POP / DNS / NTP / DHCP / Socket									
Mounting	Location	Indoors Only							
	Direction	Desktop or Wall-mount in the Upright Position							
Mass (AC Adaptor not included)		800g							
Accessories		AC Adaptor, Rubber Feet, Adhesive Tape, Support Base				Rubber Feet, Adhesive Tape, Support Base			

### Dimensions



Upright Base (Standard Item)



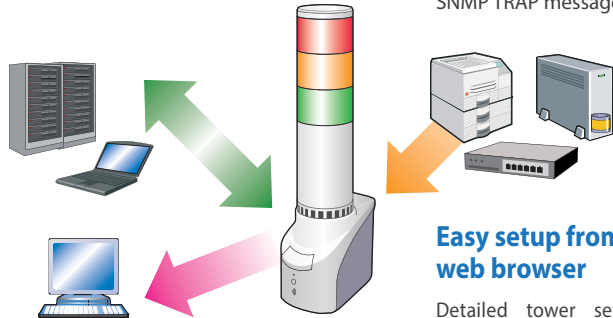
# Easy Integration for many system applications

## PING Device Monitor

### Monitors Device Existence on the Network

The NH Tower initiates PING interaction with network devices to verify existence of up to 24 nodes. When the response to a PING fails, a warning with light and sound occurs to alert administrators.

Among the 24 nodes, 12 nodes (13th - 24th) can be set up for more detailed monitoring parameters.



## SNMP v1-v2c

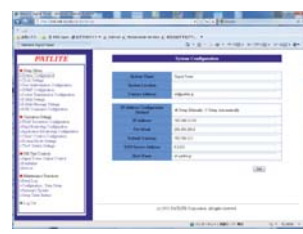
### Monitor networking equipment at a low cost

Many network devices (UPS, printers, routers, switches, etc.) generate SNMP TRAP messages when a failure occurs. The NHL tower can trigger a light and sound signal based on these SNMP TRAP messages to alert the administrator.

It can distinguish the various TRAPS. Register up to 16 groups (4 nodes per group).

### Easy setup from a web browser

Detailed tower setup is accessed from a web browser directly to its IP Address. Firmware can also be upgraded remotely.



Web Setup Screen

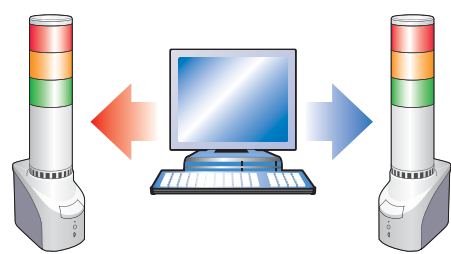
## Application Monitor

The tower can monitor important background applications and signal the administrator upon any failure.

# Communication Commands for many customized applications

## RSH

The RSH protocol is flexible with easily controllable commands. With the use of Network integrated management software; event information obtained from various monitoring tools etc., can be used as a trigger to cause a combination of flashing and alarm patterns to sound in synchronicity with the event.



## SOCKET Transmission

### PHN Command Compatibility

Controlled with 2 byte commands.  
 \* Compatible with NHE-3FB, NHC-3FB, NHM-3FB, and PHN-3FBE1.  
 \* Some functionality is limited.

**Event Occurrence:**  
**Command Tier to light, alarm to sound**  
 PHN Example Code: 0x57,0x17

### New PNS Command Compatibility

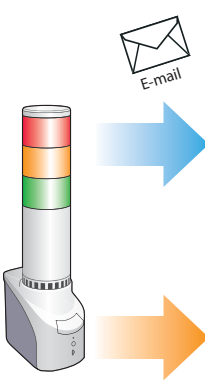
The PNS command can be used to control all pattern information.  
 \* The PNS command is a unique command from PATLITE.

**Event Occurrence: Command Tier to light, alarm to sound.**  
 RSH Example Code: rsh 192.168.10.1 -l root alert 111001

**Event Occurrence: Command Tier to sound alarm**  
 PNS Example Code: 0x58,0x58,0x53,0x00,0x00,0x06,0x01,0x01,0x01,0x00,0x00,0x01

# Diagnostic / Reporting / Notification Features

## E-mail Transmission



### Send e-mail with a maximum of eight selectable events

Up to eight events can be created and sent as a secure e-mail with the subject name and text corresponding to the event.

## SNMP v2c

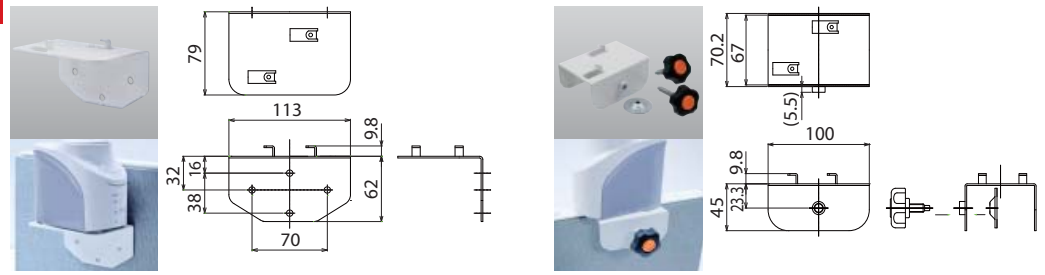
**SNMP TRAP Transmission**  
 Can transmit from a maximum of eight network devices.

## Self-diagnosis



The test switch on the front of the Body can check the Signal Tower and alarm operation functions easily without it being controlled through the network.

## Options



# LE-K3/WEP-K3



CompoNet Supported



- LED 
- 2 Alarm Sounds (LE)
- 90db at 1m
- 1 Alarm Sound (WEP)
- 85db at 1m
- IP23
- Network



## DeviceNet Supported Signal Tower for Open-field Network

### FEATURES

- Single cable uses CompoNet cable only, which transfers power and signals for control.
- Easy connection directly to 64 linkable CompoNet units with DeviceNet cable, without I/O terminals.
- Requires a CompoNet controller (i.e. CompoNet Master).
- Address Data Storage setting with the internal DIP switch.
- Light Pattern is continuous only, no flashing available.
- Built-in alarm for B-type models such as; LE: 85dB at 1m (adjustable), WEP: 90dB at 1m.
- Sound Patterns available are; LE: Intermittent tone, Alarm 1: short beep, Alarm 2: long beep. WEP: 1 alarm, continuous tone only.
- Models include interchangeable modules\*, no re-wiring necessary, even after installation (except for WEP type).

\*Refer to the standard models for details.

### DIRECT MOUNT

LE-K3W

LE-K3BW

### POLE MOUNT

LE-K3P

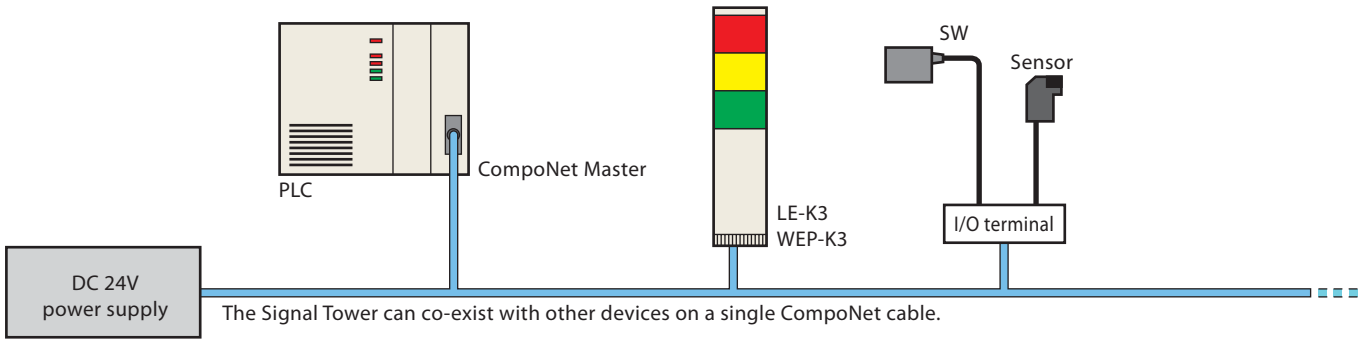
LE-K3BP

- PATLITE's exclusive Prism-Cut Lens designed for enhanced visibility from any direction and distance.
- Original Dual Reflection System for enhanced light diffusion; creating bright, distinctive illumination while saving energy.
- Direct or pole mount installation.
- Main body is constructed of ABS resin with superior resistance to impact and heat.
- Lens is made of superior impact resistant and light translucent AS resin.

## WEP-K3 WEP-K3B

- Clear vertical-cut lens for enhanced illumination over a wide perspective.
- Installation can be vertical and horizontal (Alarm type must have buzzer installed face-down).
- Lens made of superior impact and heat resistant polycarbonate resin for superior durability and enhanced illumination.

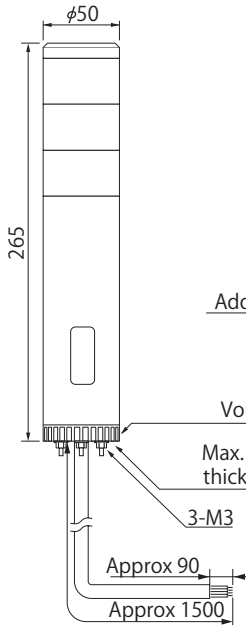
## Application Example



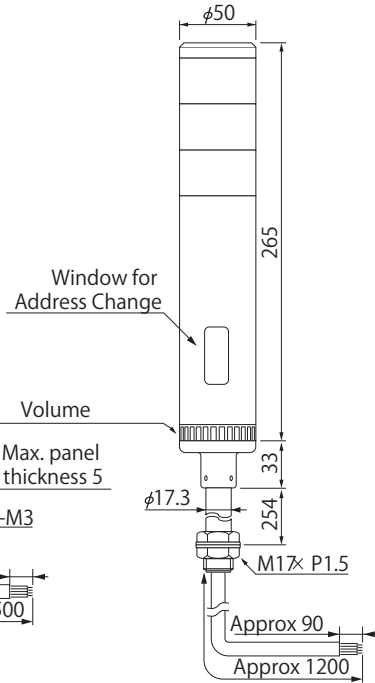
## Dimensions

LE-K3

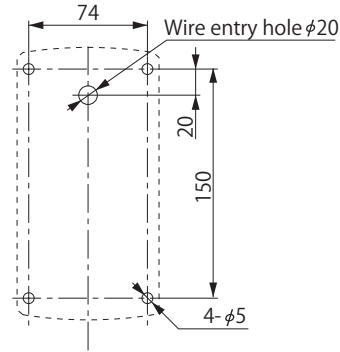
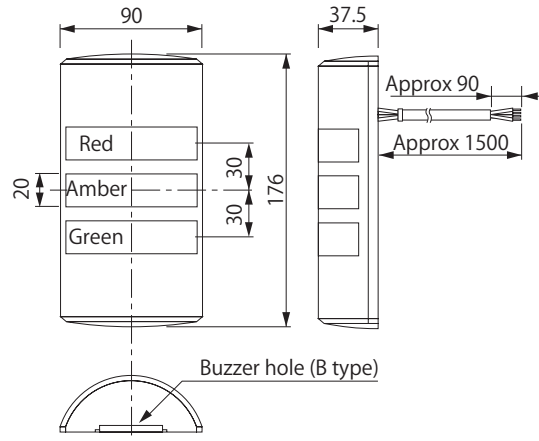
Direct mount



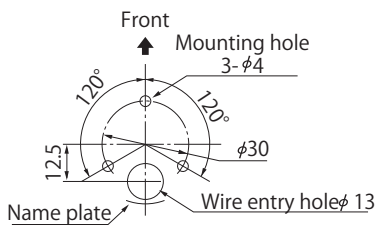
Pole mount



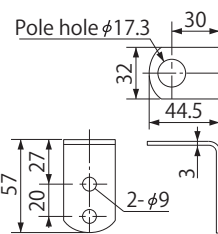
WEP-K3



Mounting Dimension



Side-Mount Bracket



(Unit: mm)

Wire Color	Signal
BROWN	BS+ (24VDC)
BLACK	BS- (0V)
WHITE	BDH (H) Line
BLUE	BDL (L) Line

## Specifications

Series	Stack Number	Model	Audible Alarm Option	Signal Line	Power Line	Current Consumption			
						CompoNet PCB (Max)	LED Unit (Max)	Audible Alarm	
LE	3 Tiers	LE-K3W/LE-K3P	N/A	BDH BDL	BS+ (24VDC) BS- (0V)	60mA	25mA (Red, Amber)	20mA (Green)	N/A
		LE-K3BW/LE-K3BP	Available					40mA	
WEP-K3		N/A	30mA (Red, Amber)				25mA (Green)	N/A	
WEP-K3B		Available						40mA	

# LHE-C3/LE-C3/WEP-C3



CC-Link Supported

CC-Link

LED



2 Alarm Sounds (LHE/LE)

90db at 1m

1 Alarm Sound (WEP)

85db at 1m

IP23

Network



## CC-Link supported Signal Tower for Open-field Network

### FEATURES

- Single cable uses CompoNet cable only, which transfers power and signals for control.
- Easy connection directly to 64 linkable CompoNet units with DeviceNet cable, without I/O terminals.
- Requires a CompoNet controller (i.e. CompoNet Master).
- Address Data Storage setting with the internal DIP switch.
- Light Pattern is continuous only, no flashing available.
- Built-in alarm for B-type models such as; LHE: 90dB at 1m (adjustable), LE: 85dB at 1m (adjustable), WEP: 90dB at 1m.
- Sound Patterns available are; LHE / LE: Intermittent tone, Alarm 1: short beep, Alarm 2: long beep. WEP: 1 alarm, continuous tone only.
- Models include interchangeable modules\*, no re-wiring necessary, even after installation (except for WEP type).

\*Refer to the standard models for details.

### LHE-C3 LHE-C3B

- Original LED reflection system to improve brightness and provide maintenance-free operation.
- Direct mount installation is standard; pole-mount is available with the optional mounting pole.
- Lens is made of superior impact and heat resistant AS resin for superior durability and light transmission.

### DIRECT MOUNT LE-C3W LE-C3BW

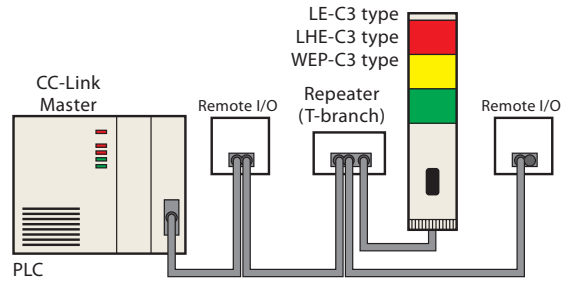
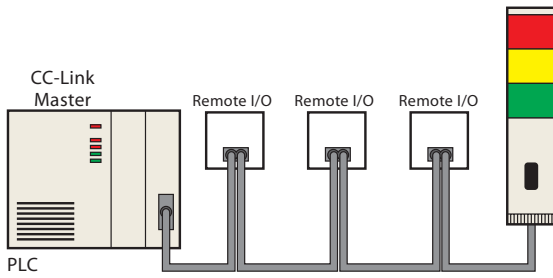
### POLE MOUNT LE-C3P LE-C3BP

- PATLITE's exclusive Prism-Cut Lens designed for enhanced visibility from any direction and distance.
- Original Dual Reflection System for enhanced light diffusion; creating bright, distinctive illumination while saving energy.
- Direct or pole mount installation.
- Main body is constructed of ABS resin with superior resistance to impact and heat.
- Lens is made of superior impact resistant and light translucent AS resin.

### WEP-C3 WEP-C3B

- Clear vertical-cut lens for enhanced illumination over a wide perspective.
- Installation can be vertical and horizontal (Alarm type must have buzzer installed face-down).
- Lens made of superior impact and heat resistant polycarbonate resin for superior durability and enhanced illumination.

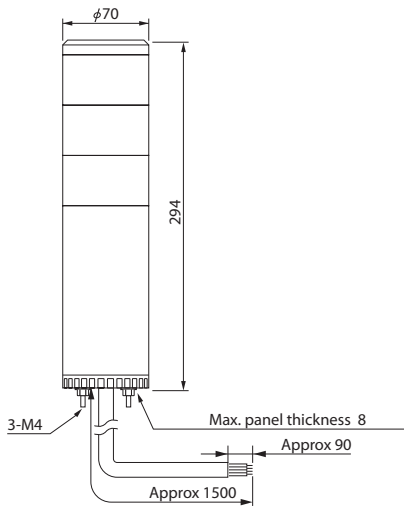




CC-Link Signal Towers without Terminal Resistors can be branched via terminal blocks when Repeaters are not used.

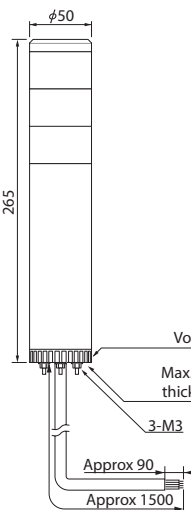
## Dimensions

LHE-C3  
LHE-CT3

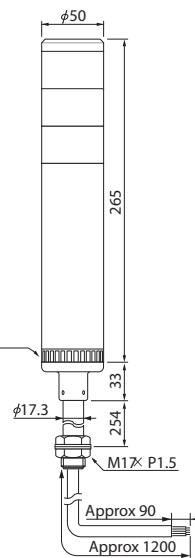


LE-C3  
LE-CT3

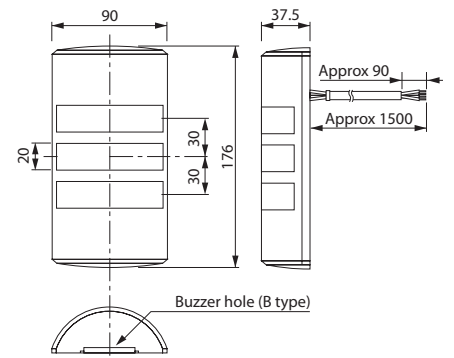
Direct mount



Pole mount

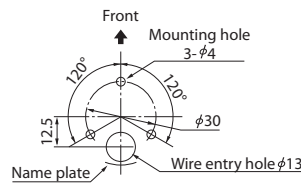
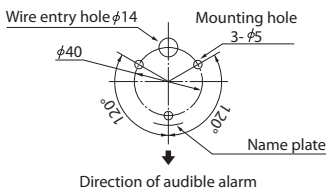


WEP-C3  
WEP-CT3

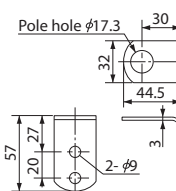


Buzzer hole (B type)

Wire entry hole  $\phi 20$



Side-Mount Bracket



(Unit: mm)

C3: Without Terminal Resistor  
CT3: With Terminal Resistor

Wire Color	Signal
BLUE	DA
WHITE	DB
YELLOW	DG
(NONE)	SLD

## Specifications

Series	Stack Number	Model	Audible Alarm Option	Signal Line	Current Consumption			
					CC-Link PCB (Max)	LED Unit (Max)	Audible Alarm	
LHE	3 Tiers	LHE-C(T)3	N/A	DA, B, DG, SDL	50mA	50mA (Red, Amber)	N/A	
		LHE-C(T)3B	Available				40mA	
LE-C(T)3W/LE-C(T)3P		N/A	N/A					
LE-C(T)3BW/LE-C(T)3BP		Available	40mA					
WEP-C(T)3		N/A	N/A					
WEP		WEP-C(T)3B	Available			30mA (Red, Amber)	25mA (Green)	40mA

# PHE-3FBE1

## RS-232C / PC Controlled Signal Tower



LED

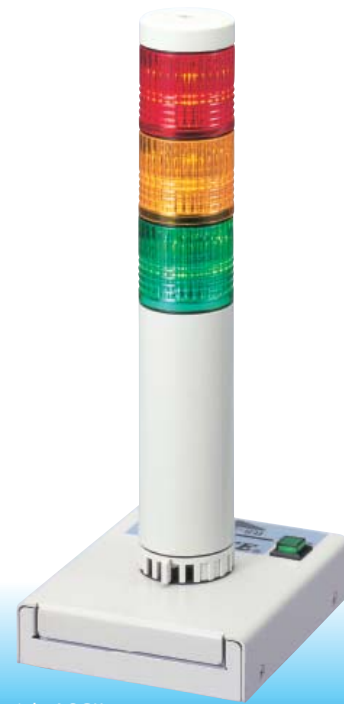


2 Alarm Sounds

85dB at 1m

Ø40

Network



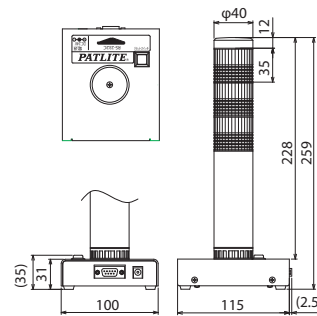
• This product requires the knowledge to program with ASCII commands to output through an RS-232C port.

Signal Tower can be controlled directly by PC through RS-232C.

FEATURES

- Alarm is adjustable up to 85dB at 1m
- High-volume alarms (two patterns) can be heard even in a noisy factory.
- Bright LED signal tower
- PATLITE's original double reflection system with its exclusive hybrid prism-cut lens and 3 color LED modules create distinctive illumination that is bright and even.
- Light and alarm functions can be turned off by pressing the reset switch on the base.

### Dimensions



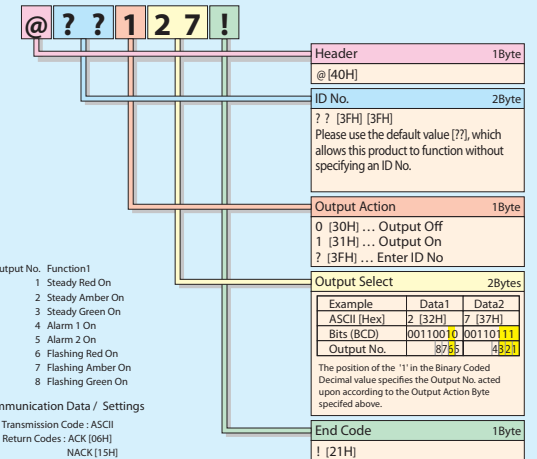
(Unit: mm)

### Specifications

	Model	PHE-3FBE1
Communication Protocol	Interface	RS-232C (Based on EIA)
	Method	Half-duplex, Full-duplex, Asynchronous
	Baud Rate	9,600 bps
	Data Bit	8 bit
	Stop Bit	1 bit
	Parity Bit	None
	Flow Control	None
Signal Tower Specifications	I/O Port	D-sub 9 pin Male Connector
	Flashing Rate	60 flashes per minute
	Sound Level	Adjustable from 70dB to 85dB (at 1m)
PHE Base Specifications	Tone Pattern	2 Alarms (Slow Intermittent, Fast Intermittent)
	Dimensions (mm)	100(W) x 259(H) x 115(D)
PHE Base Specifications	Power Supply Source	AC Adaptor (Sold Separately)
	Power Consumption	6.5W
	Operating Temperature Range	0°C to +40°C
	Humidity	20 to 80% RH (No Condensation)

### PHE-3FBE1 / PHC-100A Control

#### ASCII Command String



• The above example shows how to turn on the following output numbers : 6, 3, 2, 1

# PHC-100A

## Interface Converter



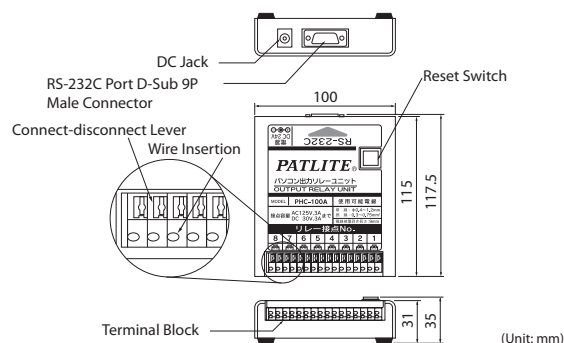
**Network**  
**Terminal**

- This product requires the knowledge to program with ASCII commands to output through an RS-232C port.

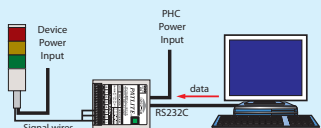
The PHC-100A Interface Converter can be connected to the RS-232C port on your programmed PC to control most PATLITE products, both visual and audible.

- 16 terminals provide 8 isolated non-voltage contact outputs.
- Reset pushbutton provided to reset all outputs to the off state.

### Dimensions



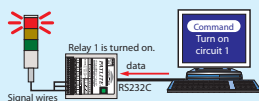
#### Basic Connections



#### Application Examples

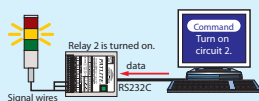
Transfer data to turn on relay circuit 1 from PC.

Data @??101!



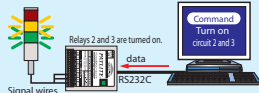
Transfer data to turn on relay circuit 2 from PC.

Data @??102!



Transfer data to turn on relay circuits 2 and 3 from PC.

Data @??106!



### Specifications

Model	PHC-100A	
Communication Protocol	Interface	RS-232C (Based on EIA)
	Method	Half-duplex, Full-duplex, Asynchronous
	Baud Rate	9,600 bps
	Data Bit	8 bit
	Stop Bit	1 bit
	Parity Bit	None
	Flow Control	None
PHC Base Terminal Buss Specifications	I/O Port	D-sub 9 pin Male Connector
	Contact Type	Non-voltage Contact
	Contact Outputs	8
	Output Load Capacity	AC 125V 3A / DC 30V 3A
	Connector	Screwless Terminal
PHE Base Specifications	Applicable Wire Size	Solid Wire: AWG18 - 26 (0.4 - 1.2mm <sup>2</sup> ) Stranded Wire: AWG20 - 22 (0.3 - 0.75mm <sup>2</sup> )
	Dimensions (mm)	100(W) x 31(H) x 115(D)
	Power Supply Source	AC Adaptor (Sold Separately)
	Power Consumption	4.0W
	Operating Temperature Range	0°C to +40°C
	Humidity	20 to 80% RH (No Condensation)

# PHU-3

## USB / PC Controlled Signal Tower



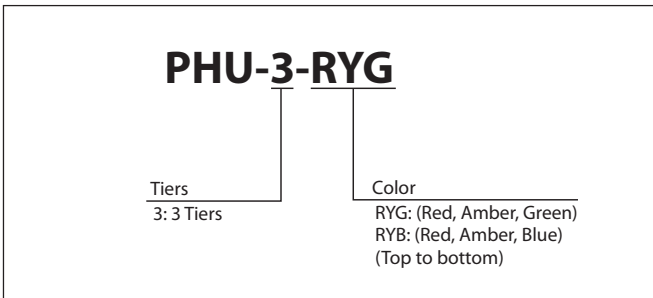
- LED
- Ø25
- IP20
- Network

Signal Tower can be controlled directly by PC through the USB Port.

### FEATURES

- Bright LED available as RYG or RYB three-tiered Signal Tower.
- PATLITE's original double reflection system with its exclusive hybrid prism-cut lens and 3 color LED modules create distinctive illumination that is bright and even.
- Power source supplied by USB Buss Power.

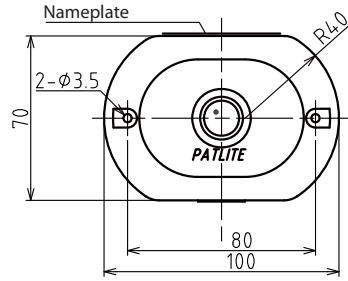
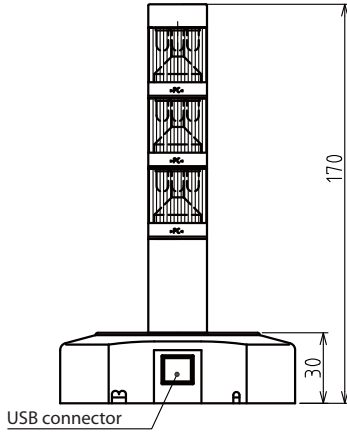
### How to Order



### Specifications

Model		PHU-3-RYG	PHU-3-RYB
General	Rated Voltage	5V DC (USB Buss Power)	
	Operating Voltage Range	DC 4.4V to DC 5.25V	
	Rated Current Consumption (Power Source)	Standby Mode: 25mA Operating Mode: 230mA Max.	
	Operating Temperature Range	-10°C to +55°C	
	Relative Ambient Temperature	RH 90% or less (No Condensation)	
	Electric Noise Intensity Level	VCCI Class-B Equivalent	
Signal Tower	Installation	Upright Position Only	
	Protection Rating	IP20	
	Insulation Resistance	More than 1MΩ at DC500V between the terminals and Chassis	
	Withstand Voltage	AC 500V applied for 1 minute between the terminals and chassis without breaking insulation.	
	Mass	0.18kg	
Interface	Input / Output	Input: USB / Output: Lighting (Red, Amber, Green, Blue LED)	
	Physical Specifications	Connector Input: Series-B Receptacle (USB Rev. 1.1 Compliant)	

# Dimensions



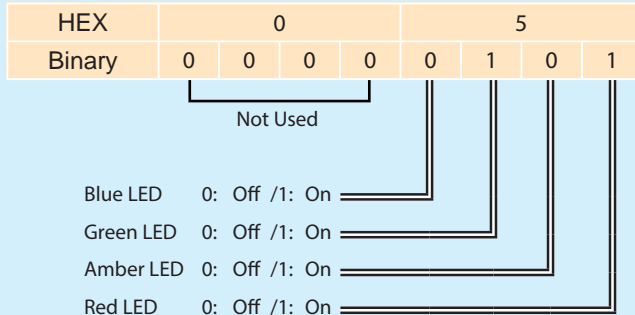
(Unit: mm)

Example) PHU-3-RYG controlling Red and Green LED lights (\*1)

Logic Specifications	Action	Bit Data
	"Red" Light On	0000 0001
	"Amber" Light On	0000 0010
	"Green" Light On	0000 0100
	"Blue" Light On	0000 1000
	"Red", "Amber" Light On; "Green", "Blue" Light Off	0000 0011
	"Red", "Green" Light On; "Amber", "Blue" Light Off	0000 0101
	"Amber", "Green" Light On; "Red", "Blue" Light Off	0000 0110
	"Amber", "Blue" Light On; "Red", "Green" Light Off	0000 1010
	"Red", "Amber", "Green", "Blue" Light On	0000 1111
	"Red", "Amber", "Green", "Blue" Light Off	0000 0000

Transfer Mode	Bulk Transfer
Data Error Detection Criteria	CRC (Cyclic Redundancy Check)
Packet Commands	Token Packet (SOF, SETUP, OUT, IN) Data Packet Handshake Packet

Transmission Setting (Virtual COM)	
Bit Rate	: 19,200bps
Data Length	: 8 bits
Parity	: None
Stop Bit	: 1 bit
Control Flow	: None



\*2 \*3

\*1 Drivers for Windows OS may have to be installed prior to use. Refer to the Instruction Manual on how to get the latest downloads.

\*2 This product does not include a Flashing function but it can be controlled by programming it through the USB output.

\*3 The control commands for the Green LED and Blue LED for the PHU-3-RYG and PHU-3-RYB are controlled separately.

- This Unit is designed to be controlled by one computer, improper operation may occur with two or more units connected.

# VE25 / VE100

## Real-time Production Monitoring Solution



LED

Terminal

25mm/100mm

Network



VE25-304SU  
3 Row, 4 Digit Type  
Digit Size : 25mm



VE100-304SU  
3 Row, 4 Digit Type  
Digit Size : 100mm



VE-IRU  
Infrared Remote Control Unit  
(Sold Separately)

\* Compliant with FCC Title 47 Part 15 Subpart B

- Improve Manufacturing Productivity
- Reduce Down Time for "Kaizen"
- Ideal for Lean Manufacturing
- Real-time Production Monitoring
- Large Digital Displays
- Easy Installation

Our VE Series Real-time Production Monitoring Solution serves as a rugged, factory floor Andon system, with real-time production status indication to alert product performance to workers and supervisors. The VE Series Real-time Production Monitoring Solution is easy to install directly on operator workstations or automated machinery, and the wireless remote control unit enables easy setup. The VE Series Real-time Production Monitoring Solution comes in 2 models (25mm or 100mm character height), and it fully supports the principles of "Kaizen" (continuous improvement) to achieve a "Visual Factory", where clear and easy to understand information is quickly accessible.

### FEATURES

- Available in 25mm and 100mm digit sizes.
- Production-control settings can easily be set-up with the remote control or PC (Sold Separately).
- Bright LED digits for easy viewing.
- External terminal output for adding an extra 3 color LED Signal Tower to add distinctive signaling.

### Easy Setup



Plan

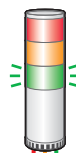


Prescale



Takt-time

### Three-terminal Output



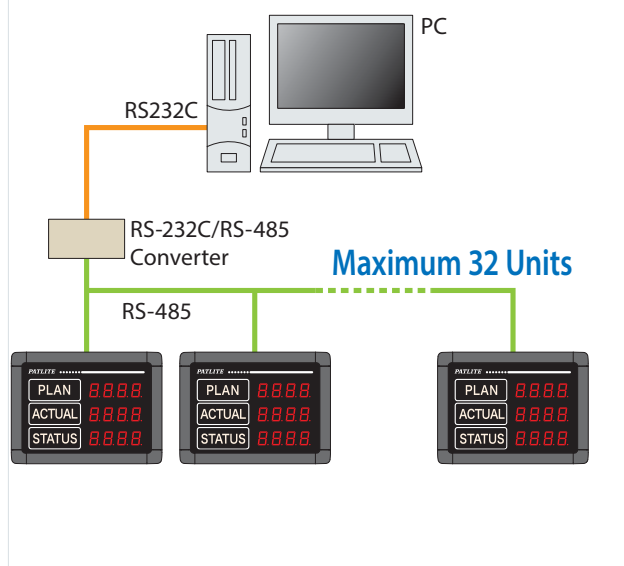
- Progress Loss  
Red Light
- Progress Gain  
Amber Light Flash
- Goal  
Green Light Flash

### Optional Bracket for VE-100 Available



VE-100 Brackets  
(Set of 2, Sold Separately)

## Serial Network Application



## Stand-alone Application

### Output Devices

- Beacons
- Audible Alarms
- Annunciators

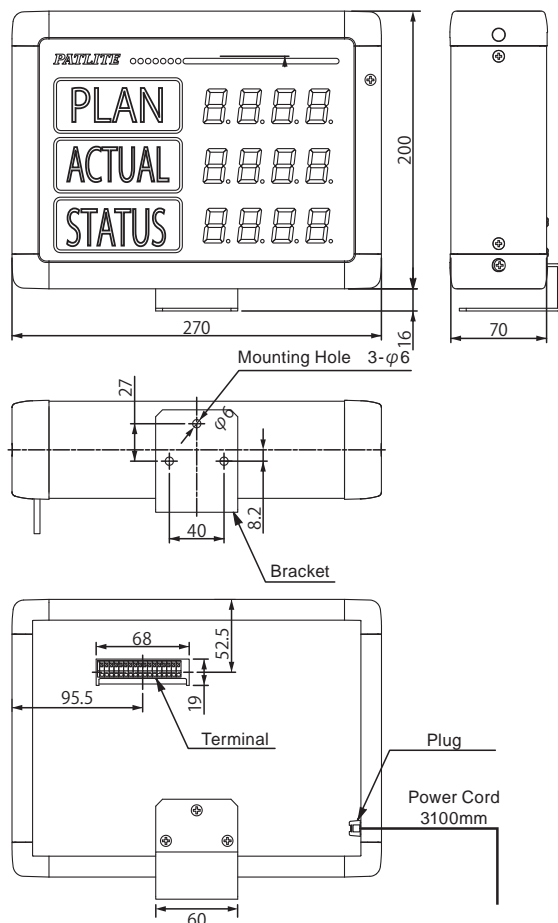
### Input Devices

- Manual Switches
- Micro Switches
- Relays
- RS485 Converters

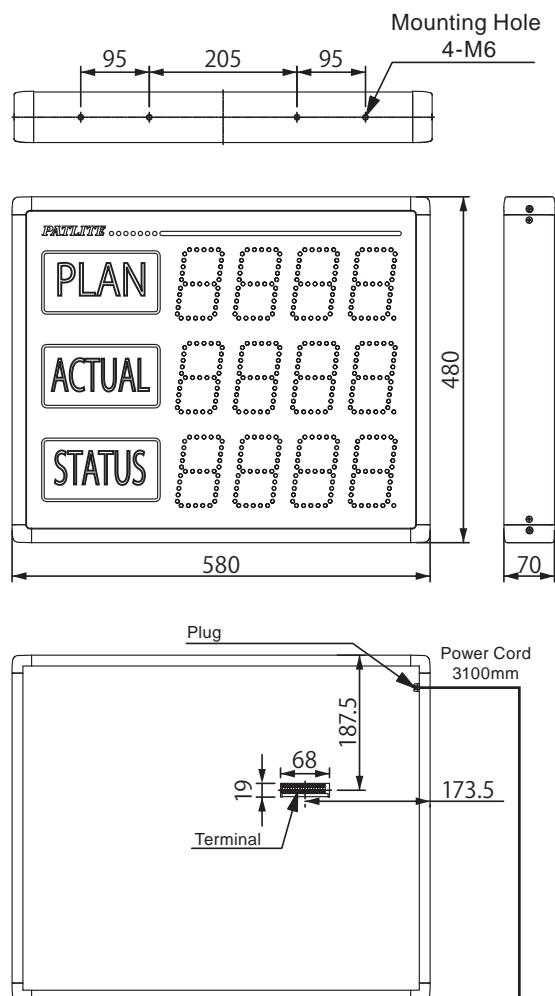


## Dimensions

### Model VE25-304SU



### Model VE100-304SU



(Unit: mm)

MEMO



# Explosion-Safe Products



# EDLM / EDWM

## Explosion-Safe Signal Tower

ATEX & FM  
CENELEC Standards



Testing Authority  
NEC Article 505

LED



IP66

Explosion-Safe

NPN/PNP  
Open-collector



EDWM



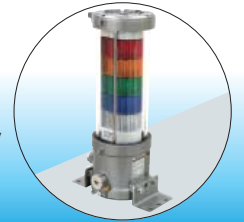
EDLM



Wall Mount



Horizontal Mount



Direct Mount

### FEATURES

- Complies with with CE according to ATEX and NEC 505 standards.
- Mounting can be done in the Upright, Wall-mount, and Horizontal position
- Voltages available in AC/DC24V, AC120V, AC230V, and free voltage of AC90 -250V
- Easy wire connection terminals to the Signal Tower by opening the bottom
- Different lens colors available for customized designs
- Available in 3 Tier or 5 Tier Stacks
- Ingress protection of IP66

**Innovative maintenance-free Explosion-safe LED Signal Towers with pressure and flame-proof housing, ideal for potentially flammable and hazardously explosive environments.**

■ CENELEC (ATEX Directive)					
Type	EDLM-302FE	EDLM-312FE	EDLM-323FE	EDWM-502FE	EDWM-5M2FE
Rated Voltage	AC/DC24V	AC 120V	AC 230V	AC/DC 24V	AC 90V - 250V
Signal Line Current (Per LED)	Red/Amber: 52.5mA Green: 20.0mA			Red: 22.6mA Amber: 26.6mA Green: 17.5mA Blue/White: 38.9mA	
Explosion Protection Ratings	⚠ II2G Ex d IIC T6 (Zone 1,2) ⚠ II2D EX tD A21 IP66 T80°C (Zone 21, 22)				
Operating Temperature Range	-20°C - +50°C (no ice)				
Operating Humidity Range	45% - 85% RH (No dew or condensation)				
Ambient Pressure Range	80 - 110kpa				
Lighting Pattern	Flashing (60 ±12 flashes per minute) / Continuous Lighting				
Protection rating	IP66				
Vibration Reistance	9.8m/s <sup>2</sup>				
Mounting	Outdoor & Indoor: Upright			Outdoor & Indoor: Upright and Sideways	
Luminosity	Red: 350mcd Amber: 580mcd Green: 1300mcd			Red/ Amber/ Green: 1000mcd Blue/White: 300mcd	
Mass (Main Body)	4.3kg			4.7kg	
Material	Upper/Lower Housing: Aluminum Alloy (Melamine Baked Finish) Glass Case: Borosilicate Glass Fitting Bracket: Stainless Steel (SUS316) Cable Gland: Brass				
■ CENELEC (ATEX Directive)					
Type	EDLM-302FA	EDLM-312FA	EDLM-323FA	EDWM-502FA	EDWM-5M2FA
Rated Voltage	AC/DC24V	AC 120V	AC 230V	AC/DC 24V	AC 90V - 250V
Signal Line Current (Per LED)	Red/Amber: 52.5mA Green: 20.0mA			Red: 22.6mA Amber: 26.6mA Green: 17.5mA Blue/White: 38.9mA	
Explosion Protection Ratings	⚠ II2G Ex d IIC T6 (Zone 1,2) ⚠ II2D EX tD A21 IP66 T80°C (Zone 21, 22)				
Operating Temperature Range	-20°C - +50°C (no ice)				
Operating Humidity Range	45% - 85% RH (No dew or condensation)				
Ambient Pressure Range	80 - 110kpa				
Lighting Pattern	Flashing (60 ±12 flashes per minute) / Continuous Lighting				
Protection rating	IP66				
Vibration Reistance	9.8m/s <sup>2</sup>				
Mounting	Outdoor & Indoor: Upright			Outdoor & Indoor: Upright and Sideways	
Luminosity	Red: 350mcd Amber: 580mcd Green: 1300mcd			Red/ Amber/ Green: 1000mcd Blue/White: 300mcd	
Mass (Main Body)	4.3kg			4.7kg	
Material	Upper/Lower Housing: Aluminum Alloy (Melamine Baked Finish) Glass Case: Borosilicate Glass Fitting Bracket: Stainless Steel (SUS316) Cable Gland: Brass				

# EDLM & EDWM are covered by the specifications shown in the **shaded** areas below:

Common Standards for Europe

• The ATEX directive is a CENELEC Standard

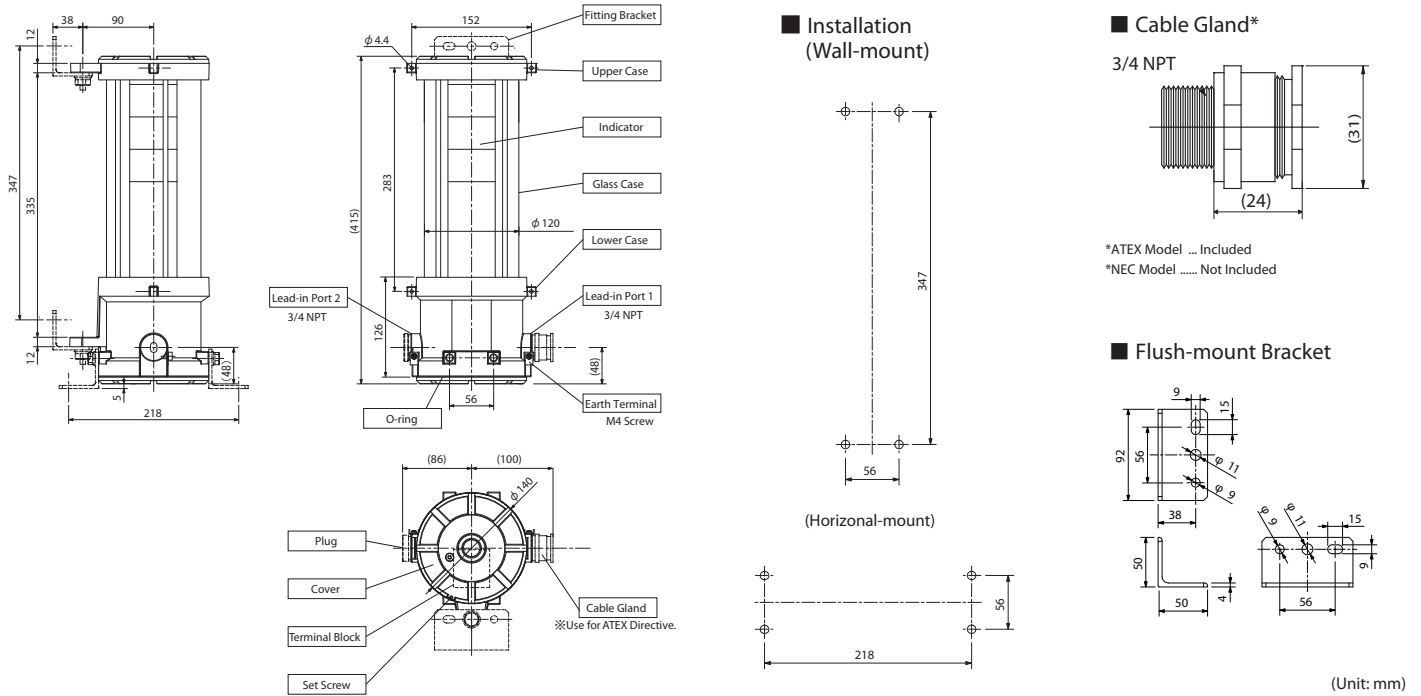
Classification	Standard	PATLITE Models	Constant Exposure	Occasional Exposure	Rare & Temporary
ATEX, IEC/EU Directive 94/9/EC	IEC 60079-10 EN 60079-10	EDLM, EDWM	Zone 0	Zone 1	Zone 2

Common Standards for the USA

• NEC is a National Electrical Code Standard for North America

Classification	Standard	PATLITE Models	Constant Exposure	Occasional Exposure	Rare & Temporary
NEC Article 505	ANSI/NFPA 71	EDLM, EDWM	Zone 0	Zone 1	Zone 2
NEC Article 500	ANSI/NFPA 70	—	Division 1		Division 2

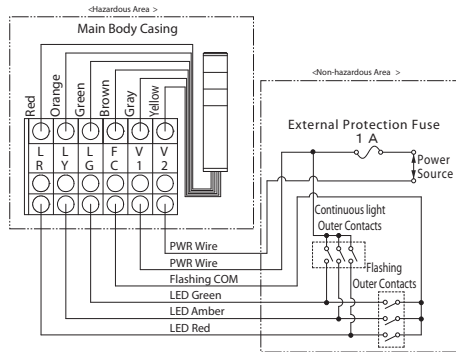
## Dimensions



## Wiring

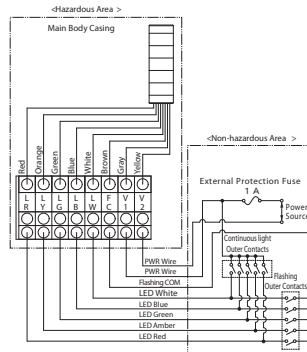
### EDLM (3 Color LED)

- EDLM-302FE/ EDLM-302FA

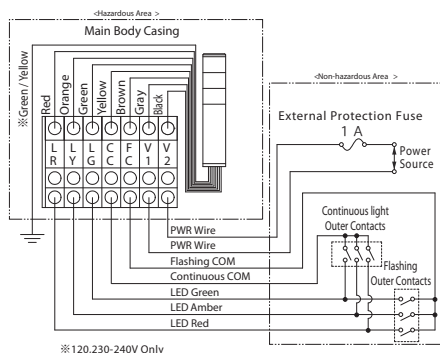


### EDWM (5 Color LED)

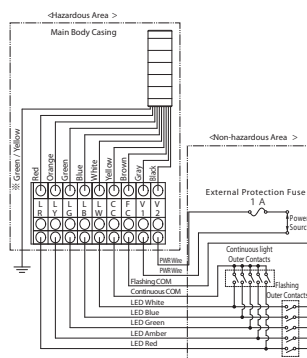
- EDWM-502FE/ EDWM-502FA



- EDLM-312FE/ EDLM-312FA
- EDLM-323FE/ EDLM-323FA



- EDWM-5M2FE/ EDWM-5M2FA

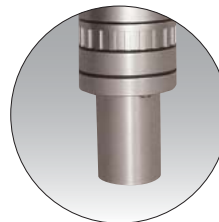


External Protection Fuse (All Models): 250V 1A

# AR-070

CE II 3GD Ex nA IIC T4 Gc, Ex tc IIIC T85°C Dc IP65 94/9/EC (ATEX) CENELEC: EN 60079-0, EN 60079-15, EN 60079-31

## Explosion-Safe Signal Tower



1/2" NPT

\*1/2 NPT Adaptor also available



Side-mount Bracket

LED



85db at 1m

IP65 (IP54 with Buzzer)

Explosion-Safe

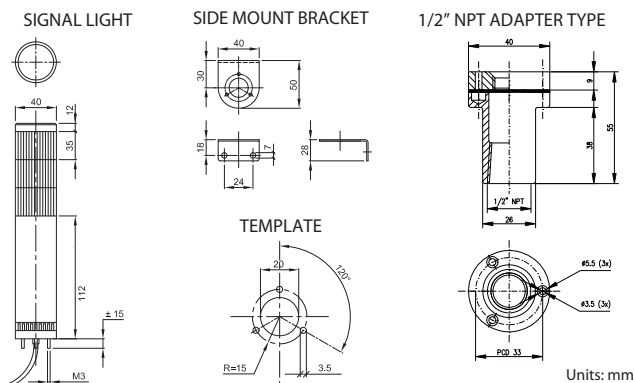
Ø40

### FEATURES

- Explosion-Safe for gas and dust
- Suitable for Zone 2 and Zone 22
- CE Compliance in accordance to ATEX
- Full and brilliant lumination
- LED double reflection lighting system
- Different lens colors available
- Stackable from 1 to 5 tiers
- Wall mount or direct mount
- Ingress protection of IP65 (IP54 with buzzer)
- Available with "flashing/ non-flashing" and two audible alarm sounds

## Explosion-Safe Signal Tower ø40mm with sealed cable

### Dimensions



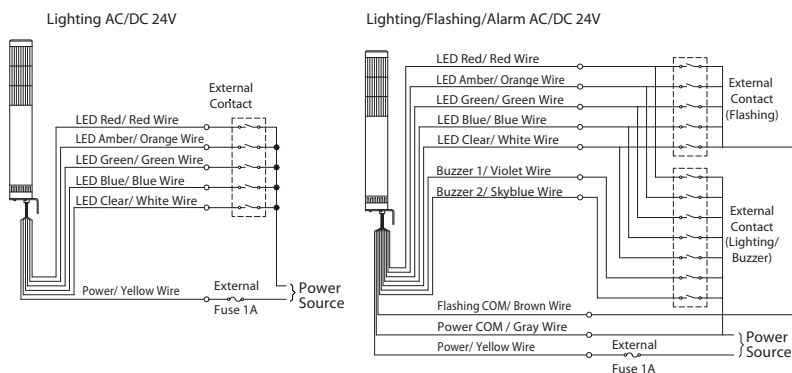
### Specifications

Explosion-safety	CE Ex II3 GD; Ex nA IIC T4 Gc; Ex tc IIIC T85°C Dc IP65
CE Conformities	EN 60079-0, EN 60079-15, EN 60079-31
Certification	EC Declaration of Conformity
Ambient Temperature	-30°C - +60°C
Ingress Protection	IP65 to EN 60529
Material	ABS Tower Body
Lighting Source	Multiple LED's with Double Reflection System
Acoustical Source	Buzzer with two different tones: 85dB (at 1m)
Rated Voltage	AC/DC 24V
Assembly Position	As Desired
Activation Time	100%
Module Colors Available	Red, Amber, Green, Blue, Clear/White
Cable	Factory sealed cable, ø8mm, length 3 meters

### CURRENT RATINGS

LED		BUZZER	
Signal Line Current		Signal Line Current	Inrush Current
Red, Amber	Green, Blue, Clear		
ab. 30mA	ab. 25mA		

### Wiring



### How to Order

#### AR-070-0 1 / -RYGBC

Model Code	LED Color
1 : Continuous Light	R: Red
2 : Flashing/ Alarm	Y: Amber
	G: Green
	B: Blue
	C: Clear/White
	(From top to bottom)
Rated Voltage	Bracket Code
1: AC/DC 24V	Blank : L Type
	N : NPT Type
Tiers	
1: 1 Tier	
2: 2 Tiers	
3: 3 Tiers	
4: 4 Tiers	
5: 5 Tiers	

※ AC type available by special order.



Side-mount Bracket

# AR-078

CE II 3GD Ex nA IIC T4 Gc, Ex tc IIIC T85°C Dc IP65 94/9/EC (ATEX) CENELEC: EN 60079-0, EN 60079-15, EN 60079-31

## Explosion-safe Signal Tower



3/4" NPT  
\*3/4 NPT Adaptor also available

### FEATURES

- Explosion-Safe for gas and dust
- Suitable for Zone 2 and Zone 22
- CE Compliance in accordance to ATEX
- Full and brilliant lumination
- LED double reflection lighting system
- Different lens colors available
- Stackable from 1 to 5 tiers
- Wall mount or direct mount
- Ingress protection of IP65 (IP54 with buzzer)
- Available with "flashing/ non-flashing" and two audible alarm sounds



LED

90db at 1m

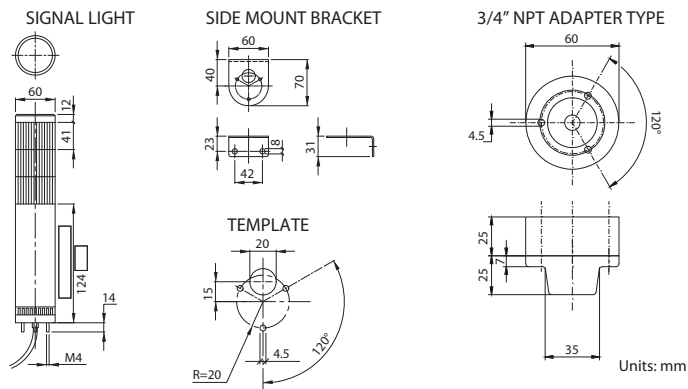
IP65 (IP54 with Buzzer)

Explosion-Safe

Ø60

## Explosion-Safe Signal Tower φ60mm with sealed cable

### Dimensions



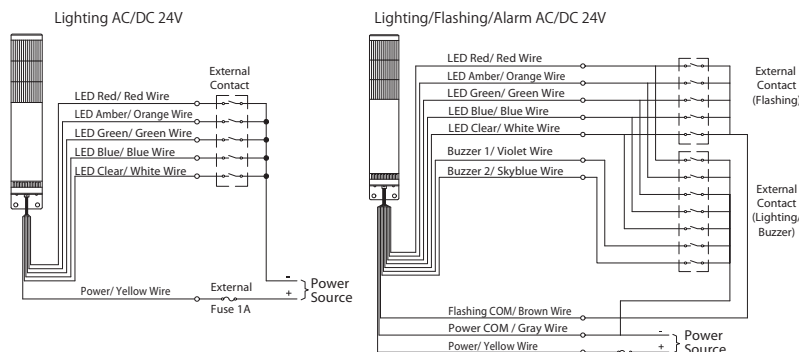
### Specifications

Explosion-safety	CE Ex II 3GD; Ex nA IIC T4 Gc; Ex tc IIIC T85°C Dc IP65
CE Conformities	EN 60079-0, EN 60079-15, EN 60079-31
Certification	EC Declaration of Conformity
Ambient Temperature	-30°C - +60°C
Ingress Protection	IP65 to EN 60529
Material	ABS Tower Body
Lighting Source	Multiple LED's with Double Reflection System
Acoustical Source	Buzzer with two different tones: 90dB (at 1m)
Rated Voltage	AC/DC 24V
Assembly Position	As Desired
Activation Time	100%
Module Colors Available	Red, Amber, Green, Blue, Clear/White
Cable	Factory sealed cable, φ8mm, length 3 meters

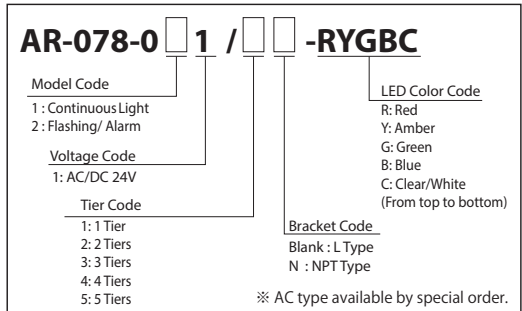
### CURRENT RATINGS

LED		BUZZER	
Signal Line Current		Signal Line Current	Inrush Current
Red, Amber	Green, Blue, Clear		
ab. 30mA	ab. 25mA		

### Wiring



### How to Order



AR-078

# LKEH-EX

CE II 3GD Ex nA IIC T4 Gc, Ex tc IIIB T85°C Dc IP54 94/9/EC (ATEX) CENELEC: EN 60079-0, EN 60079-15, EN 60079-31



LKEH-FV-EX, LKEH-FE-EX

## Explosion-Safe LED Hybrid Signal Tower

### FEATURES

- Explosion-Safe for gas and dust
- Suitable for Zone 2 and Zone 22
- CE Compliance in accordance to ATEX
- LED brightness is visible from a far distance with a big 100mm diameter module
- Super-bright LED colors corresponding to different voice, alarm, chimes and melody sounds.
- Voice alert messages of up to 63 seconds (64kbit/sec) with 5 channels for playback.
- 32 different melody, chime sound combinations are pre-recorded
- 8 sounds can be played back with bit input, or 32 sounds with binary input
- Stackable from 1 to 4 tiers
- Adjustable volume from 0 to 105dB (at 1m)
- MP3 model is field-programmable, using an SD Card for model LKEH-FV-EX
- Robust design able to withstand vibrations of up to 2G.
- Body is made of Acrylonitrile-Ethylene-Styrene for weather resistance
- One common wire can easily control both LED Units and audible signals
- NPN open-collector connection is standard, PNP is available upon request



LED



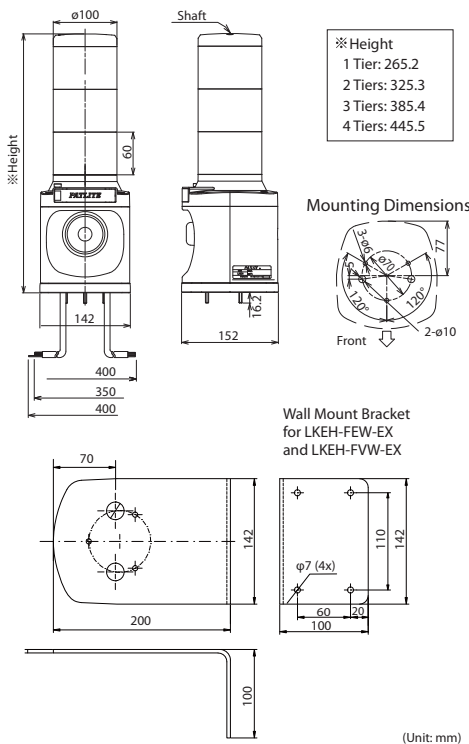
32 Channels (Binary)

63 Seconds

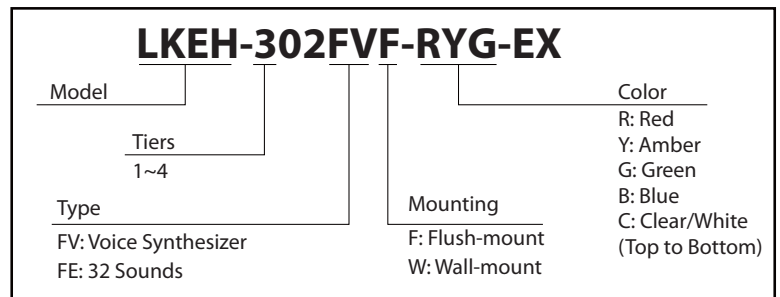
105db at 1m

Explosion-Safe

### Dimensions



### How to Order



Model	MP3	Power
LKEH-FEF-EX/LKEH-FEW-EX	—	14.2W
LKEH-FVF-EX/LKEH-FVW-EX	Supports	14.2W

SD Card (SDV-128) for models LKEH-FVF-EX and LKEH-FVW-EX is sold separately.

### Sound Selection Chart

Beep (slow intermittent)	Stutter + Bell	Inverted Reveille	Annie Laurie
Stutter (rapid intermittent)	Melody Chime	Galactic Motor	London Bridge is falling down
Bell (clear high-pitch)	Chime	Ringling Phone	Mary had a little Lamb
Yelp (rapid siren)	Call Sign	Two Tone	Camptown Races
Rapid Hi-Lo	Train Ride	Alarm Clock	Amaryllis
Melody Chime	Galloping Hi-Lo	Ringling Hi-Lo	Mozart Symphony No. 40
Synthesized Piano	Alien Chatter	Fur Elise	Ave Maria
Synthesized Bell	Falling Crystals	Bach Minuet in Gmaj	Grandfather's Clock

### Specifications

Model	Rated Voltage	MP3, Melody	Operating Temperature Range	Recordable Duration	Mounting Brackets	Channels	Mass
LKEH-FEF-EX	DC 24V	Type-E	-10°C to +50°C 85% RH or less	Pre-recorded	Flush-mount	8ch bit input, 32ch binary input	2.8kg
LKEH-FEW-EX		Type-E			Wall-mount	8ch bit input, 32ch binary input	3.2kg
LKEH-FVF-EX		MPEG1-Audio Layer III, 64kbit/s		63 seconds	Flush-mount	5ch bit input, 32ch binary input	2.8kg
LKEH-FVW-EX		MPEG1-Audio Layer III, 64kbit/s			Wall-mount	5ch bit input, 32ch binary input	3.2kg

• The mass is based on a 3-tiered LED Model LKEH. The mass will change in accordance to the number of tiers.



# EHS-EX/EHV-EX

CE II 3GD Ex nA IIC T4 Gc, Ex tc IIIC T85°C Dc IP65 94/9/EC (ATEX) CENELEC: EN 60079-0, EN 60079-15, EN 60079-31

## Explosion-Safe Melody/Alarm Horn



**EHV 63 Channels** (Binary)

**110 dB at 1m** (EHS)

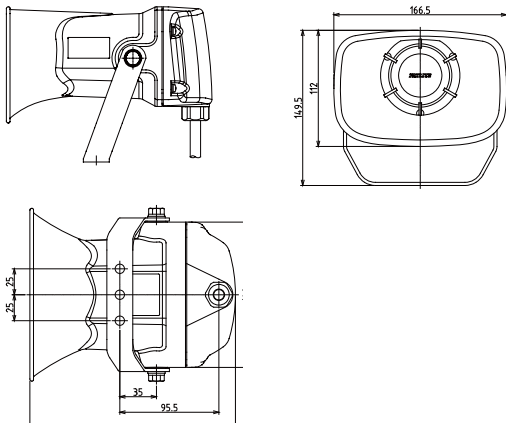
**IP65**

**Explosion-Safe**

### FEATURES

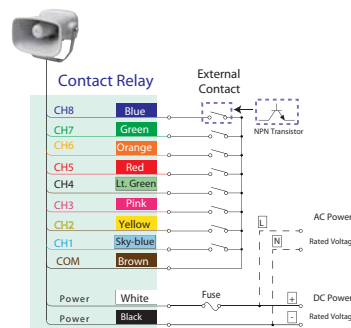
- Protection Rating of IP65.
- Explosion-Safe for gas and dust
- Suitable for Zone 2 and Zone 22
- CE Compliance in accordance to ATEX
- EHS-EX comes with 32 preloaded melody and alarm sounds with adjustable volume up to 110dB (@ 1m).
- Robust, indoor and outdoor use with vibration resistance up to 4.5G.
- EHV-EX comes with 63 preloaded crisp and clear melody and alarm sounds with adjustable volume up to 110dB (@ 1m).
- EHV-EX offers a field-programmable MP3 function with a maximum of 220 sec. of recording time (@ 64bps) and an adjustable volume up to 105dB (@ 1m).
- Ideal for plant-wide notification, public address and process control.
- UL464, CSA-C22.2 NO.205-M1983, FCC Part 15 Subpart B Class 4.
- CE, RoHS Compliant (EHS-M1 and EHV-M1 Only).

### Dimensions

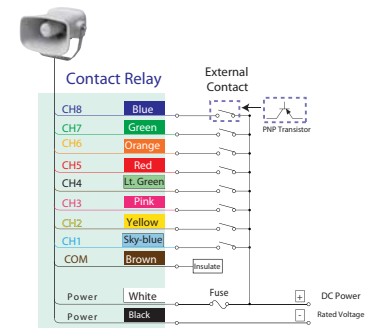


### Wiring

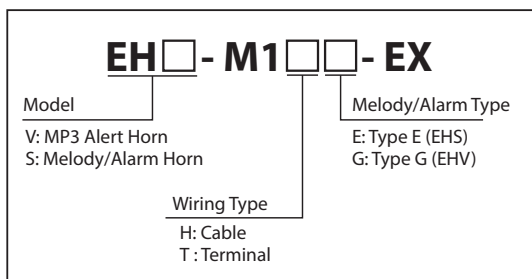
#### • Non-voltage (NPN) Wiring



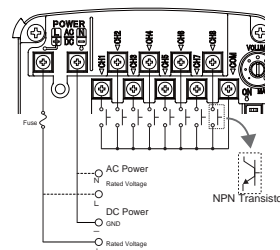
#### • PNP Wiring



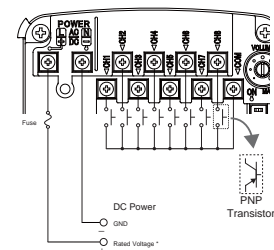
### How to Order



#### • Terminal (NPN)



#### • Terminal (PNP)



### Specifications

Model	Rated Voltage	Voltage Range	Power Consumption	Rated Current Consumption	Sound Pressure (max)	Operating Temperature Range	No. of Playback Messages	Protection Rating	Wiring Type	Mass
EHS- M1H	DC 12 - 24V	DC 10.8V to 26.4V	4W (at DC24V)	450mA (max)	Alarm: 110dB (at 1m)	-20°C to +50°C (Less than 85% RH)	Bit Input: 8 Binary Input: 32	IP65	Cable	1.25kg
EHS- M1T									Terminal	
EHV- M1H	DC 12 - 24V	DC 10.8V to 26.4V	4W (at DC24V)	400mA (max)	Alarm: 110dB (at 1m) MP3: 105dB (at 1m)	-20°C to +50°C (Less than 85% RH)	Bit Input: 8 Binary Input: 63	IP65	Cable	1.25kg
EHV- M1T									Terminal	

Note 1: The sound pressure level is based on measurements under controlled conditions (voice-synthesized 1 kHz sine wave played back from a distance of 1 meter), therefore the surrounding environmental conditions and message content will result in different values for the sound pressure level.

Note 2: Even when starting two or more units simultaneously, a lag will occur during message playback.

# CLN-EX

CE II 3GD Ex nA IIC T4 Gc, Ex tc IIIC T135°C Dc IP65 94/9/EC (ATEX) CENELEC: EN 60079-0, EN 60079-15, EN 60079-31

## Explosion-Safe LED Work Light



Daylight

IP66G/67G/69K

Explosion-Safe

### FEATURES

- 820 lx brightness
- 60,000 hrs., or about 7 years of long service life (\*1)
- IP66G, IP67G, IP69K protection (\*2)
- Low current draw of 174mA
- DC 24V (Polarized)
- Wide operating temperature range (-40 to +60°C)
- IEC62471 Compliance (Photobiological Safety Standard)
- Daylight Color Temperature (6,500K), suitable for very detailed work
- Made of aluminum alloy and tempered glass, is resistant to water, oil and coolants
- Includes a flexible stainless-steel angle bracket to adapt to various scenarios (\*3)
- Compact, light-weight, durable design (Thickness:22.2mm x Width: 85mm x Height: 128mm)

\*1 : The typical value of LED brightness is 70% of the original specification, but may vary depending on actual applications.

\*2 : IP66G and IP67G are Japanese Industrial Standards (JIS C0920-2003), and IP69K is the German DIN 40050 PART9 Standard.

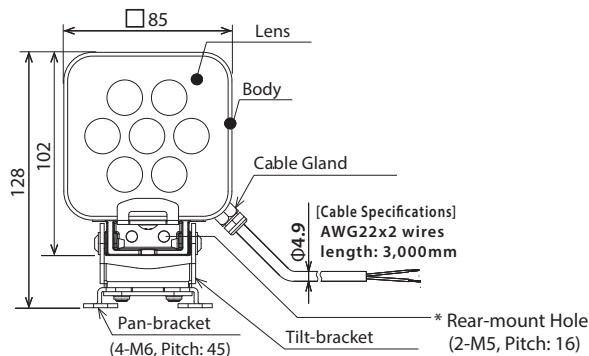
\*3 : CLN-24-CD-PT-EX Work Light can only be installed where risk of mechanical danger is limited to 2 Joules of impact energy.



CLN-24-CD-PT-EX

## Dimensions

### • Pan/Tilt Type (PT Type)



## How to Order

# CLN-24-CD-PT-EX

Movable Type

T : Tilt

PT : Pan/Tilt

## Specifications

Model	CLN-24-CD-PT-EX	
Color Code (Color)	CD (Daylight)	
Color Temperature (typ.)	6500K	
Illumination (typ.) (Centered at DC 24V)	1m	820 lx
Total Luminous Flux (typ.)	550 lm	
Rated Voltage	DC 24V (Polarized)	
Operating Voltage Range	DC 24V ±10%	
Rated Consumption Current/Power Dissipation	174mA ±10% / 4.2W	
Operating Ambient Temperature	-40°C to +60°C (90% RH, no condensation)	
Main Unit Material	Body: Aluminum Alloy Lens: Tempered Glass	
Protection Rating	IP66G/67G (JIS C 0920)/69K (DIN 40050 part 9) (excluding cable ends)	
Mounting Location/Direction	Indoor / Any Direction	
Insulation Resistance	DC 500V 5MΩ or more between power input and metallic part	
Withstand Voltage	500VAC for 1 minute between power input and chassis	
Vibration Resistance	30Hz total amplitude 0.3mm <sup>PP</sup> (Back and forth, up and down, left and right for 2 hrs each) total amplitude 0.3mm <sup>PP</sup> (10-57Hz), Acceleration 19.6m/s <sup>2</sup>	
Mass (Tolerance ±10%)	430g	



# CLK-EX

CE II 3GD Ex nA IIC T4 Gc, Ex tc IIIC T135°C Dc IP65 94/9/EC (ATEX) CENELEC: EN 60079-0, EN 60079-15, EN 60079-31

## Explosion-Safe LED Work Light



CLK-EX

CLK6C-24AG-CD-EX



CLK3S-24AG-CD-EX



Daylight  
Natural White

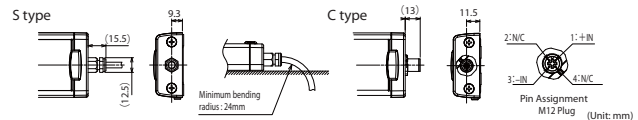
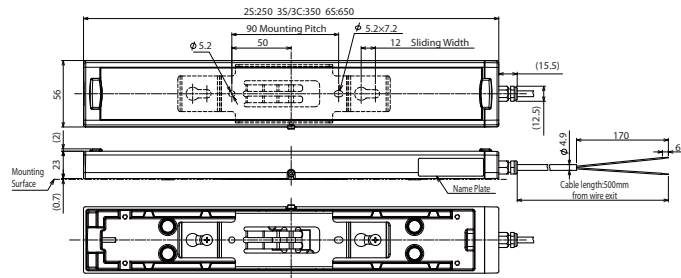
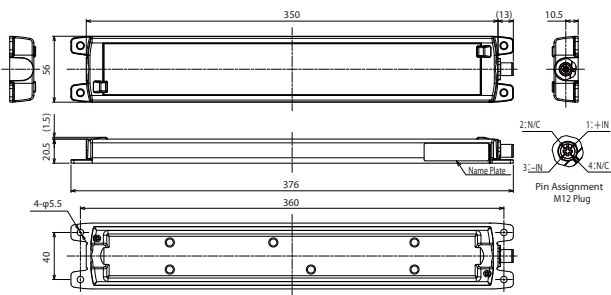
IP66G/67G/69K

Explosion-Safe

### FEATURES

- Aluminum Housing
- Tempered glass lens
- IP66G/67G/69K ratings
- Explosion-safe for gas and dust
- Suitable for Zone 2 and Zone 22
- Temperature Range of -40°C to +60°C
- CE Compliance in accordance to ATEX
- 1,200 lx (3S/3C) and 2,100 lx (6S) brightness
- Outdoor installation allows Upright installation only
- LED Color Temperatures of 6,500K (CD) and 5,000K (CN)
- Stainless Steel Housing (available for 350mm long models)
- 250mm length (2S, 350mm length (3S/3C), 650mm length (6S) available

## Dimensions



## How to Order

Model	CLK- <input type="text"/> -24- <input type="text"/> -EX
Illumination Area Size	2: 200mm 3: 300mm 6: 600mm
Wiring Specifications	S: Side-exiting Cable C: M12 Quick Disconnect
Color	CD: Daylight CN: Natural White
Body & Lens	AG: Aluminum & Glass SG: Stainless Steel & Glass

## Specifications

Model	CLK- <input type="text"/> -24- <input type="text"/> - <input type="text"/> -EX
Color Code (Color)	Natural White (CN) / Daylight (CD)
Rated Voltage	DC 24V
Operating Voltage Range	DC 24V ±10%
Rated Consumption Current	522mA ±40mA (3S / 3C Type)
Light Source	High intensity LED x 18 elements (3S / 3C Type)
Luminous Intensity at Optical Center (lx at 1m)	1200 (3S / 3C Type)
Main Unit Material	Body: Aluminum Alloy or Stainless Steel Lens: Tempered Glass
Operating Temperature Range	-40°C to +60°C (90% RH, no condensation)
Mounting Location/Direction	Indoor / Any Direction
Protection Rating	IP66G/67G (JIS C 0920)/69K (DIN 40050 part 9) (excluding cable ends)
Vibration Resistance	19.6m/s <sup>2</sup>
Mass (Tolerance ±10%)	1.49kg

\*1 : The LED Work Light can only be installed in places where risk of mechanical danger is limited to an impact energy of 2 Joules. (1kg mass dropped at a 20cm height)

# CLA-EX

CE II 3GD Ex nA IIC T4 Gc, Ex tc IIIC T135°C Dc IP65 94/9/EC (ATEX) CENELEC: EN 60079-0, EN 60079-15, EN 60079-31

## Explosion-Safe LED Work Light



Daylight  
Natural White



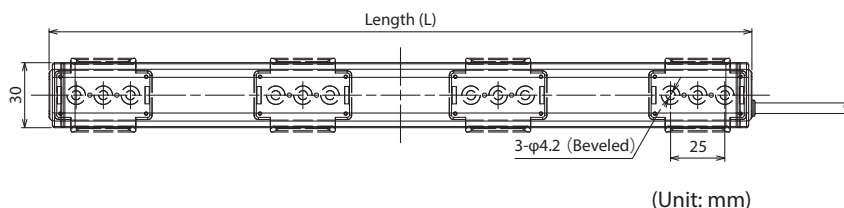
IP66/67/69K

Explosion-Safe

### FEATURES

- Explosion-safe for gas and dust
- Suitable for Zone 2 and Zone 22
- CE Compliance in accordance to ATEX
- DC 24V (Polarized, ±10%)
- Cable length: 3 meters
- IP66/67/69K ratings
- Body made of Polycarbonate Resin
- Polycarbonate mounting brackets available
- Lengths available are; 100mm (140 lx), 200mm (270 lx), 300mm (400 lx), 600mm (650 lx), 900mm (810 lx), 1,200mm (890 lx), 1,500mm (945 lx)
- Temperature Range of -40°C to +60°C (RH 90% or less, no condensation)

### Dimensions



### How to Order

**CLA**  **S-24-**  **-30-EX**

LED Color  
 CD: Daylight (6800K)  
 CN: Natural White (4800K)

Length (L)  
 1: 100mm    6: 600mm    15: 1,500mm  
 2: 200mm    9: 900mm  
 3: 300mm    12: 1,200mm

### Specifications


Model	Luminous Color	Length	Rated Voltage	Rated Current Consumption	Center Radiation (lx/50cm)	Mounting Direction	Vibration Resistance	Mass
CLA1S -24-CD-EX	Daylight	100mm	DC 24V (Polarized)	104mA	140 lx	Any Direction (Indoors Only)	19.6m/s <sup>2</sup>	80g
CLA1S -24-CN-EX	Natural White	200mm		208mA	270 lx			130g
CLA2S -24-CD-EX	Daylight			300mm	240mA			400 lx
CLA2S -24-CN-EX	Natural White	600mm			480mA			650 lx
CLA3S -24-CD-EX	Daylight			900mm	720mA			810 lx
CLA3S -24-CN-EX	Natural White	1200mm			960mA			890 lx
CLA6S -24-CD-EX	Daylight			1500mm	1,200mA			945 lx
CLA6S -24-CN-EX	Natural White							
CLA9S -24-CD-EX	Daylight							
CLA9S -24-CN-EX	Natural White							
CLA12S -24-CD-EX	Daylight							
CLA12S -24-CN-EX	Natural White							
CLA15S -24-CD-EX	Daylight							
CLA15S -24-CN-EX	Natural White							

# RES-A

TIIS Exd IIB+H2T6

## Explosion-Safe Revolving Warning Light



-  **Bulb**
- Ø224**
- IP65**
- Explosion-Safe**

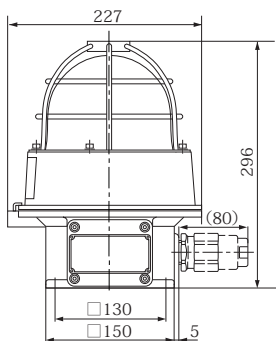
## Robust Heavy Duty Revolving Warning Light.

### FEATURES

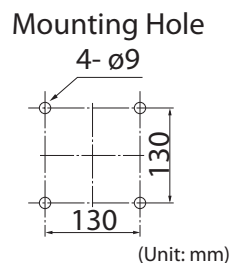
- $\phi$ 224mm Diameter.
- Rotating parabolic reflector to enhance visibility from a distance.
- Upright, inverted, and sideways installation allowed for indoors; and upright for outdoors only.
- Main body is made of Aluminum Alloy Die-cast with silver-colored baked enamel finish.
- Dome is made from superior weather-resistant and light-translucent acrylic resin.
- Available Colors are Red, Amber, Green, and Blue.

\*Cable Glands are optional parts and need to be ordered separately.

### Dimensions



### Mounting Dimensions



### Specifications

Model	Rated Voltage	Current	Flash Rate (fpm)	Bulb		Mass
				Ratings	Repl. No.	
RES-12A	DC 12V	0.9A	170	12V 10W	9	6.5kg
RES-24A	DC 24V	0.5A		24V 10W	10	
RES-48A	DC 48V	0.3A	150	48V 10W	11	
RES-100A	AC 100V - 110V	0.1A	170	12V 5W	12	
RES-120A	AC 115V - 120V					
RES-220A	AC 200 - 220V	0.05A				
RES-240A	AC 230 - 240V					

Bulb: G18 BA155

© Special Order



MEMO

# Signal Tower



# ME-A/MES-A

## Signal Tower



LED



IP42

Ø25

NPN  
Open-collector

Cable



## Super-slim 25mm Signal Tower with aluminum body, ideal for small devices.

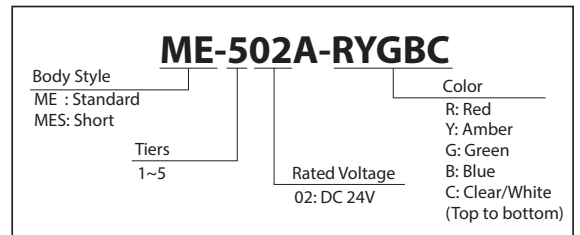
### FEATURES

- PATLITE's exclusive hybrid prism-cut lens designed for enhanced visibility from any direction and distance.
- Lens is made of superior impact and heat resistant polycarbonate resin for superior durability and light transmission.
- Available Colors are in Red, Amber, Green, Blue, and Clear/White.
- Specially enhanced high intensity illumination design.
- Direct mount installation with just a single hole.
- Interchangeable Modules need no re-wiring, even after installation.
- Main body is constructed of corrosion resistant anodized aluminum to retain its external beauty.
- Body Length for MES-A is 40mm, and for the ME-A is 200mm.
- Conforms to the CE requirements.
- UL recognized components (File No. E215660)

### AVAILABLE BY SPECIAL ORDER

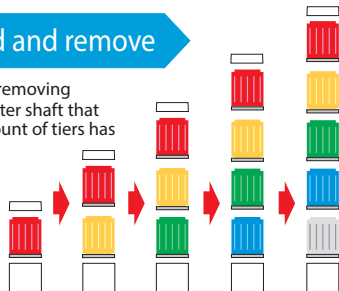
- Cable: Versatile and flexible 3m cable.
- IP54 (for ME/MES).
- PNP Compatible: ME and MES 24V Types.

### How to Order



### Easy to add and remove

- When adding or removing modules, the center shaft that matches the amount of tiers has to be purchased.



### Interchangeable LED Modules

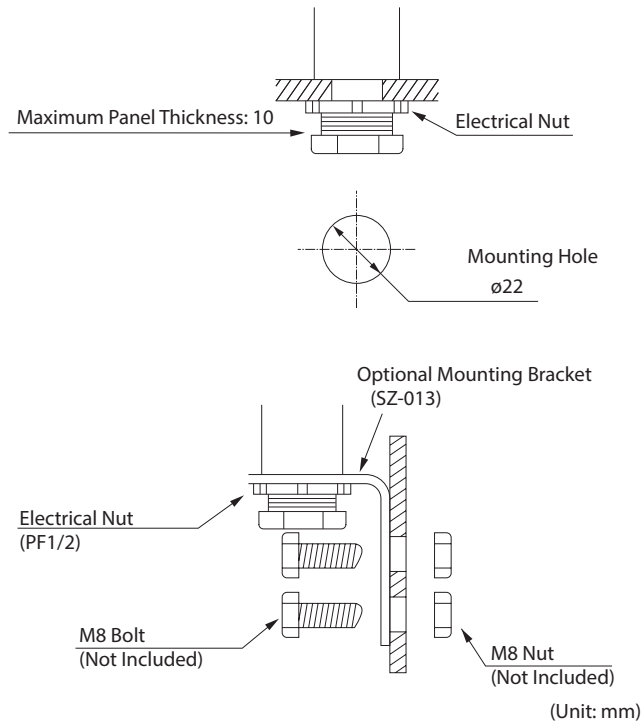
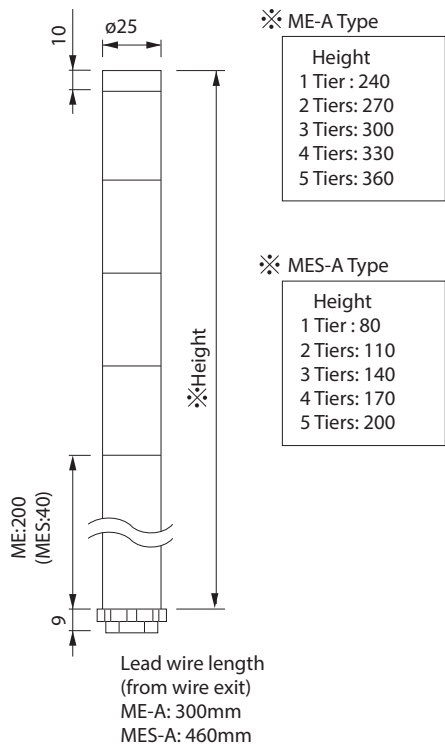
- Changeable color sequence: Easy to add/remove up to 5 colored modules even after installation.
- Note: LED modules of the same color within a signal tower will light up simultaneously.



### Wiring doesn't change

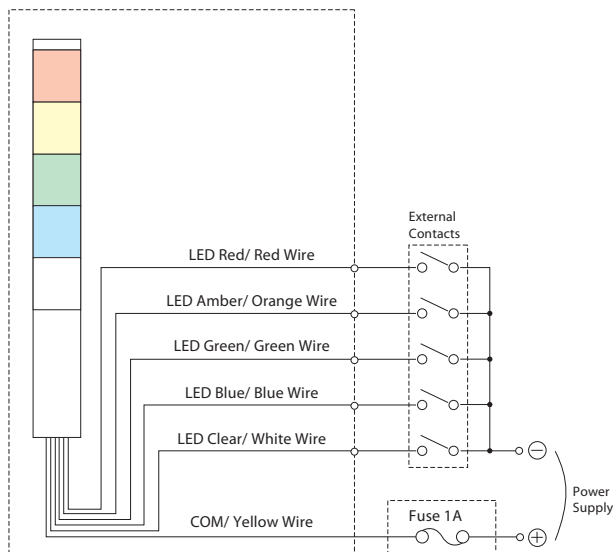
- The LED Module colors correspond to the wiring, so re-wiring is not necessary.

## Dimensions

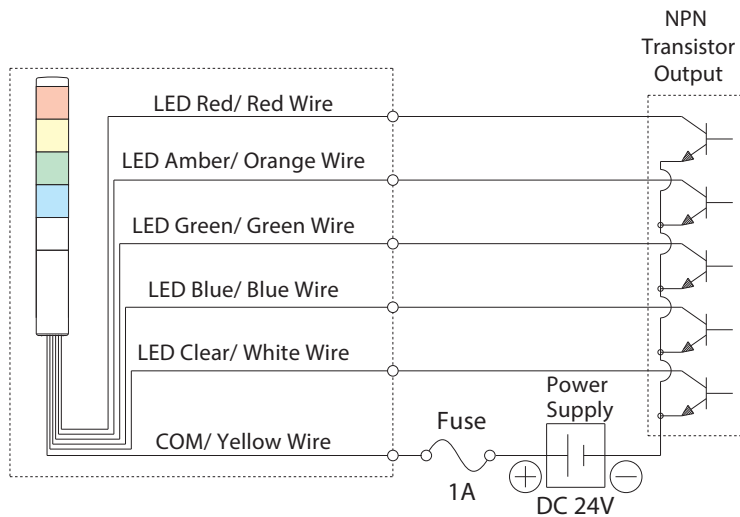


## Wiring

- ME-A/MES-A Contact/ Switch



- ME-A/MES-A NPN Open Collector



## Specifications

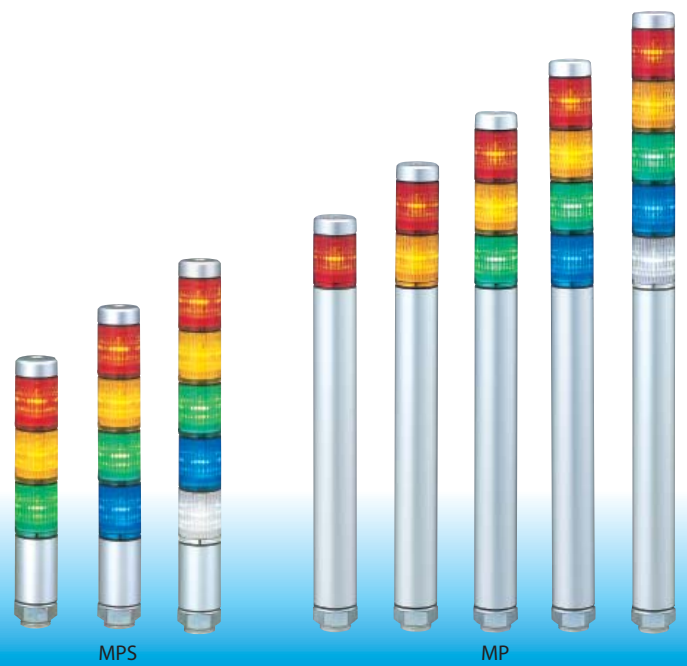
Stack Number	Model	Rated Voltage	Power Consumption	Mass	
				ME	MES
1 Tier	ME/MES-102A-R	DC 24V	0.6W	220g	120g
	ME/MES-102A-Y		0.6W		
	ME/MES-102A-G		0.5W		
	ME/MES-102A-B		0.5W		
	ME/MES-102A-C		0.5W		
2 Tiers	ME/MES-202A-RY		1.2W	230g	130g
	ME/MES-202A-RG		1.1W		
	ME/MES-202A-RB		1.1W		
	ME/MES-202A-RC		1.1W		
3 Tiers	ME/MES-302A-RYG		1.7W	240g	140g
	ME/MES-302A-RYB	1.7W			
	ME/MES-302A-RYC	1.7W			
4 Tiers	ME/MES-402A-RYGB	2.3W	250g	150g	
	ME/MES-402A-RYGC	2.3W			
5 Tiers	ME/MES-502A-RYGB	2.8W	260g	160g	

# MP/MPS

## Signal Tower



- LED
- IP65
- Ø30
- Cable
- NPN/PNP Open-collector



## Super slim 30mm silver body Signal Tower, ideal for small devices.

Patented reflection system increases visibility.



### FEATURES

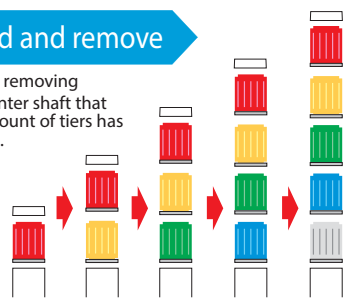
- PATLITE's exclusive hybrid prism-cut lens designed for enhanced visibility from any direction and distance.
  - Double-insulated construction for enhanced durability and safety in the work environment.
  - Direct mount installation with just a single hole.
  - Interchangeable Modules need no re-wiring, even after installation.
  - Main body is constructed of superior impact and heat resistant ABS resin.
  - Lens is made of superior weather resistant and light translucent AS resin.
  - Available Colors are in Red, Amber, Green, Blue, and Clear/White.
  - Conforms to the CE requirements.
  - UL Recognized Components (File No. E215660)
- AVAILABLE BY SPECIAL ORDER
- All Clear Lenses: Distinctive color recognition when operated with clear lenses (B0738 type).
  - Cable: Versatile and flexible 3m cable.



Optional MP-B Buzzer (See pg. 199)

### Easy to add and remove

- When adding or removing modules, the center shaft that matches the amount of tiers has to be purchased.



### Interchangeable LED Modules

Changeable color sequence: Easy to add/remove up to 5 colored modules even after installation.  
 Note: LED modules of the same color within a signal tower will light up simultaneously.

### Wiring doesn't change

- The LED Module colors correspond to the wiring, so re-wiring is not necessary.



## How to Order

**MP-502-RYGBC**

Model	MP : Standard Body MPS: Short Body	Color	R: Red Y: Amber G: Green B: Blue C: Clear/White (Top to bottom)
Tiers	1~5		
Rated Voltage	02: AC/DC 24V		

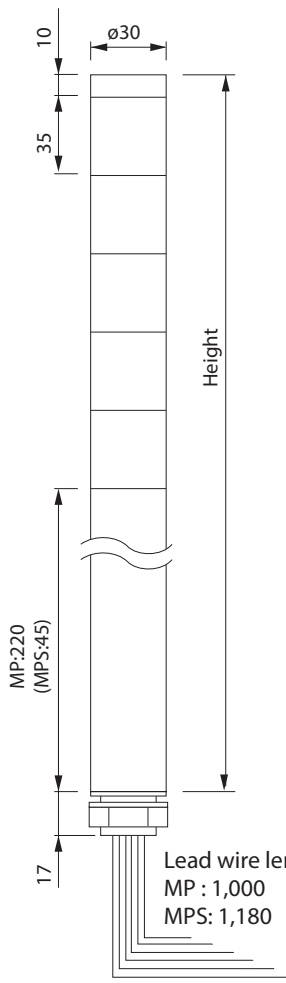
Clear Lens Type: Model No. with B0738

## Specifications

Stack Number	Model	Rated Voltage	Power Consumption	Mass	
				MP	MPS
1 Tier	MP/MPS-102	AC/DC 24V	0.7W	210g	110g
2 Tiers	MP/MPS-202		1.4W	230g	130g
3 Tiers	MP/MPS-302		2.0W	250g	150g
4 Tiers	MP/MPS-402		2.6W	270g	170g
5 Tiers	MP/MPS-502		3.2W	290g	190g



# Dimensions

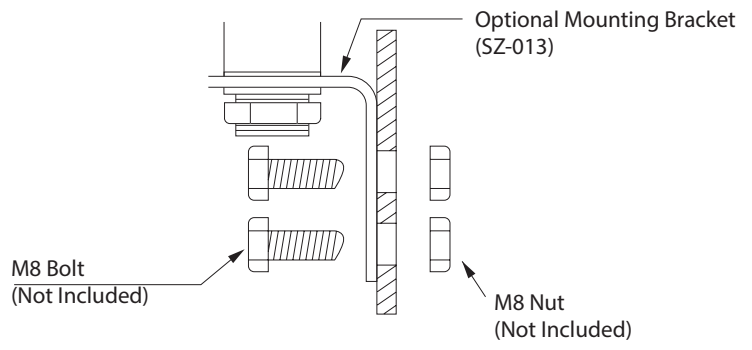
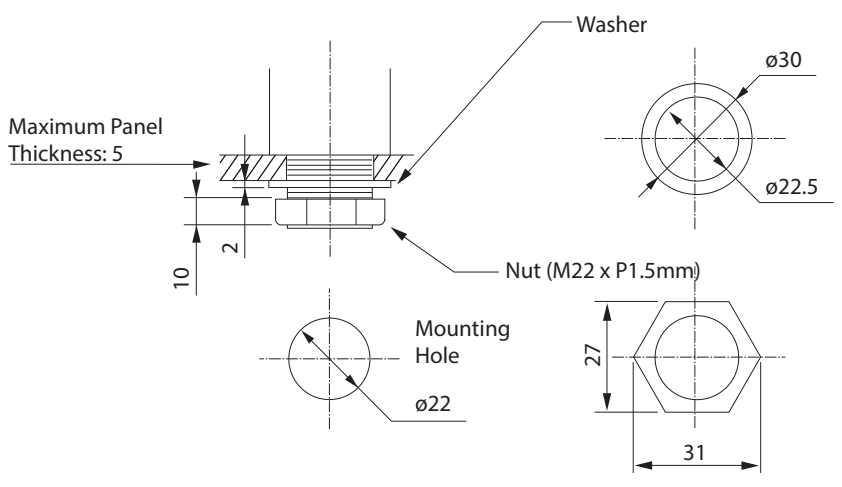


**MP Type**

Height
1 Tier : 265
2 Tiers: 300
3 Tiers: 335
4 Tiers: 370
5 Tiers: 405

**MPS Type**

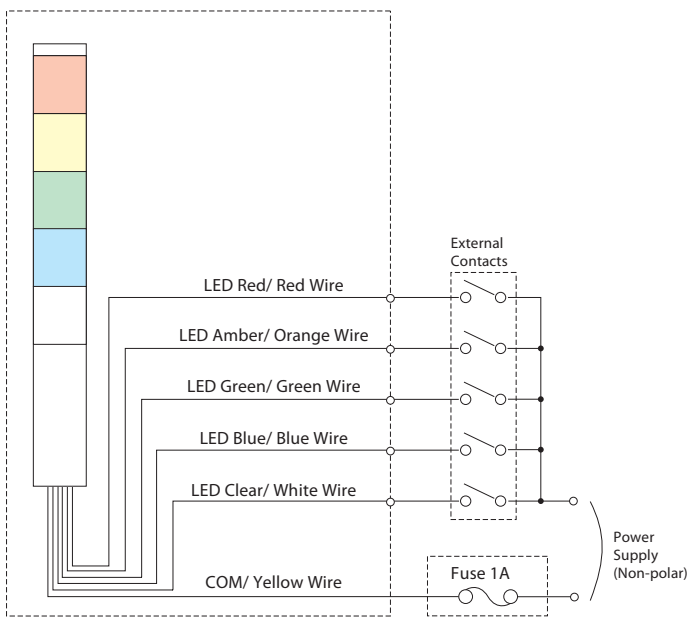
Height
1 Tier : 90
2 Tiers: 125
3 Tiers: 160
4 Tiers: 195
5 Tiers: 230



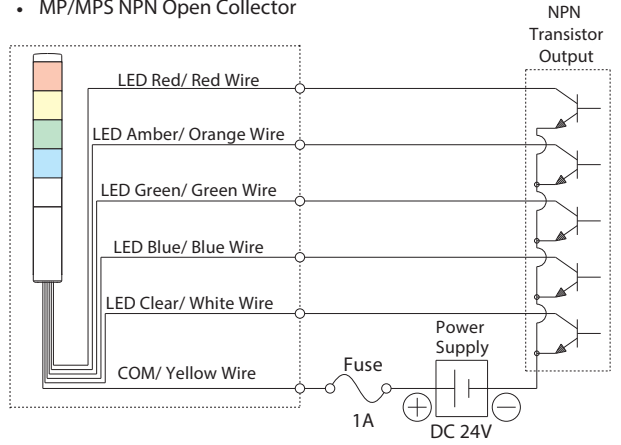
(Unit: mm)

# Wiring

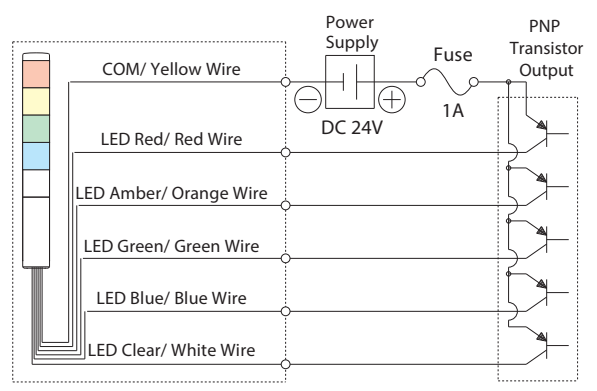
- MP/MPS Contact/ Switch



- MP/MPS NPN Open Collector



- MP/MPS PNP Open Collector



# MP-C

## Signal Tower



- LED
- IP65
- Ø30
- M12 Cable
- NPN/PNP  
Open-collector

## Super slim 30mm silver body Signal Tower with M12 disconnect.

Patented reflection system increases visibility.



High-intensity LED

Good visibility from any direction

### FEATURES

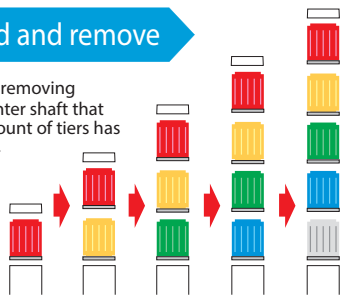
- Quick Disconnect M12 connector for the MP Signal Tower.
- PATLITE's exclusive hybrid prism-cut lens designed for enhanced visibility from any direction and distance.
- Double-insulated construction for enhanced durability and safety in the work environment.
- Direct mount installation with just a single hole.
- Interchangeable Modules need no re-wiring, even after installation.
- Main body is constructed of superior impact and heat resistant ABS resin.
- Lens is made of superior weather resistant and light translucent AS resin.
- Available in 1, 2 or 3 tier stacks with colors in Red, Amber and Green.
- Conforms to the CE requirements.
- UL Recognized Components (File No. E215660)



Optional MP-B Buzzer  
(See pg. 199)

### Easy to add and remove

- When adding or removing modules, the center shaft that matches the amount of tiers has to be purchased.



### Interchangeable LED Modules

Changeable color sequence: Easy to add/remove up to 5 colored modules even after installation.

Note: LED modules of the same color within a signal tower will light up simultaneously.



### Wiring doesn't change

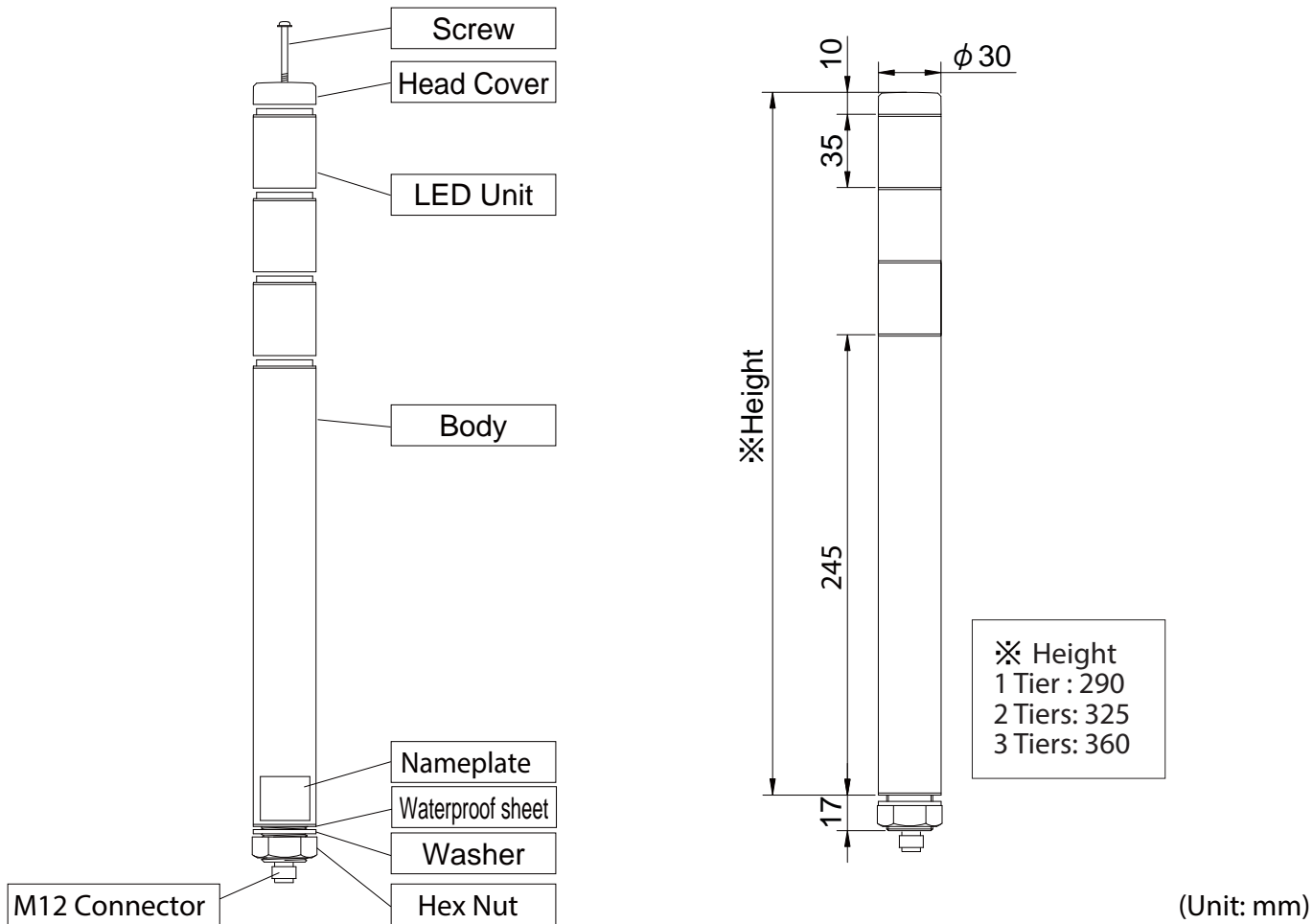
- The LED Module colors correspond to the wiring, so re-wiring is not necessary.

## How to Order

<b>MP-302-C-RYG</b>		Color
Model	MP : Standard Body	R: Red Y: Amber G: Green (Top to bottom)
Tiers	1~3	Lead Type
Rated Voltage	02: AC/DC 24V	Blank : Wire Leads C : M12 Quick Disconnect

## Specifications

Stack Number	Model	Rated Voltage	Power Consumption	Mass
1 Tier	MP/MPS-102	AC/DC 24V	0.7W	240g
2 Tiers	MP/MPS-202		1.4W	260g
3 Tiers	MP/MPS-302		2.0W	280g



## Wiring

### External Contact Capacity

$I_s$  : Current Capacity

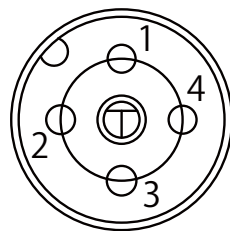
$V_s$  : Withstand Voltage

LED Unit (1 Tier)	Current Consumption	Red: 29.0mA	Amber: 29.5mA	Green: 23.9mA
	Capacity	$I_s \geq 50\text{mA}$		$V_s \geq 35\text{V DC}$
Power Supply	Current Consumption	200mA		
	Capacity	$I_s \geq 200\text{mA}$	$V_s \geq 35\text{V DC}$	

### M12 Connector Pin No.

Pin No.	LED Unit Color
1	Green
2	Red
3	Common
4	Amber

- MP-C M12 Connector



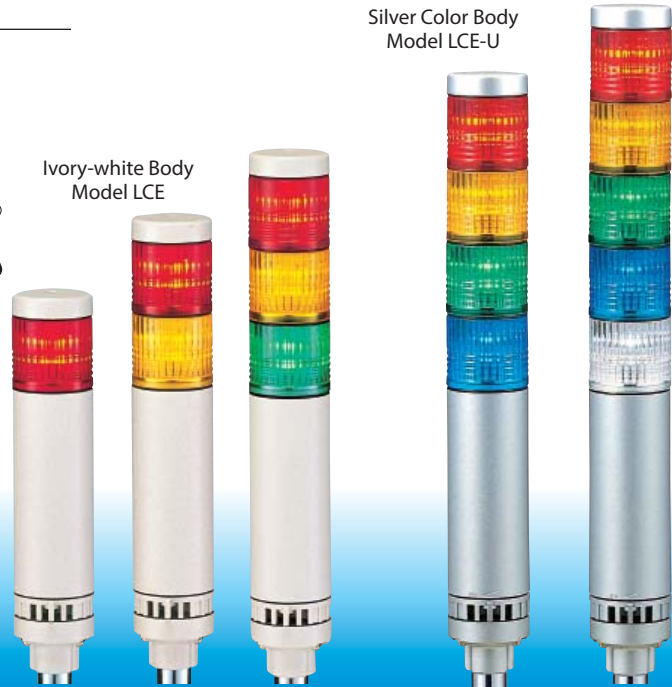
M12 Connector Pin Layout

# LCE/LCE-U



## Signal Tower

- LED
- 2 Alarm Sounds (FB Type)
- 85 db at 1m (FB Type)
- IP65 (LCE-FB Type: IP54)
- Ø40
- Cable
- NPN/PNP Open-collector



High visibility from any angle



Adjustable Volume (Max. 85dB at 1m)



Dual Reflection System

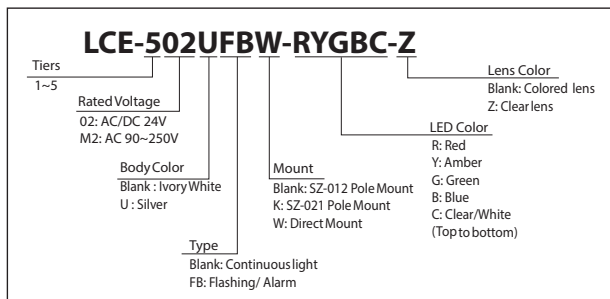
PATLITE's original dual reflection system with its exclusive hybrid prism-cut lens and 5 color LED modules creates a bright, distinctive and even illumination.

## The low-priced, high quality LED Signal Tower featuring low maintenance and energy savings.

### FEATURES

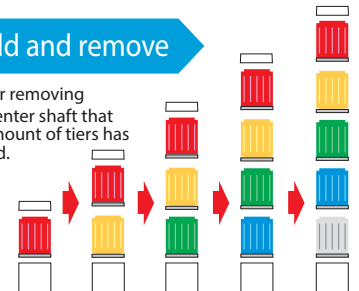
- PATLITE's exclusive hybrid prism-cut lens designed for enhanced visibility from any direction and distance.
- Original Dual Reflection System for enhanced light diffusion; creating bright, distinctive illumination while saving energy.
- Two Built-in Alarms (FB Type) with selectable sound patterns.
- Adjustable volume with a maximum of 85dB (at 1m).
- Direct or pole mount installation.
- Color-coordinated Wiring Corresponding to the lens color for quick wiring and verification.
- Interchangeable LED Modules requires no re-wiring, even after installation.
- Main body made of ABS resin with superior resistance to impact and heat. (U type has silver body and 3m cable)
- Lens is made of superior impact resistant and light translucent AS resin.
- NPN/PNP Compatible inputs for 24V DC type (M2 type compatible with NPN only).
- Available Colors are in Red, Amber, Green, Blue, and Clear/White.
- High visibility from any angle.
- Conforms to the CE requirements (for 24V type).
- UL Recognized Components (File No. E215660).
- NEMA Type 4/4X/13 for -W, -FBW Only

## How to Order



### Easy to add and remove

- When adding or removing modules, the center shaft that matches the amount of tiers has to be purchased.



### Interchangeable LED Modules

Changeable color sequence: Easy to add/remove up to 5 colored modules even after installation.

Note: LED modules of the same color within a signal tower will light up simultaneously.

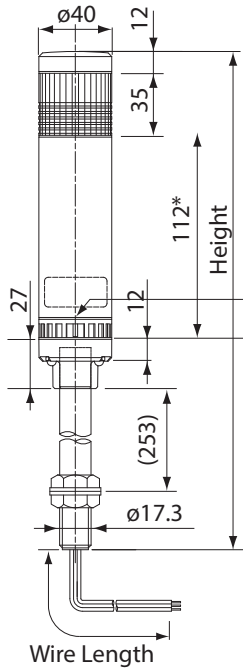


### Wiring doesn't change

- The LED Module colors correspond to the wiring, so re-wiring is not necessary.

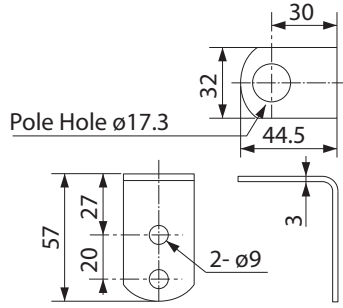
# Dimensions

## LCE Type LCE-U Type

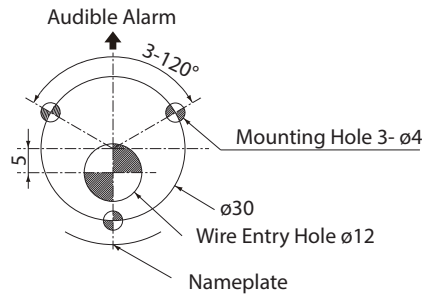


\*M2-FB Type:167

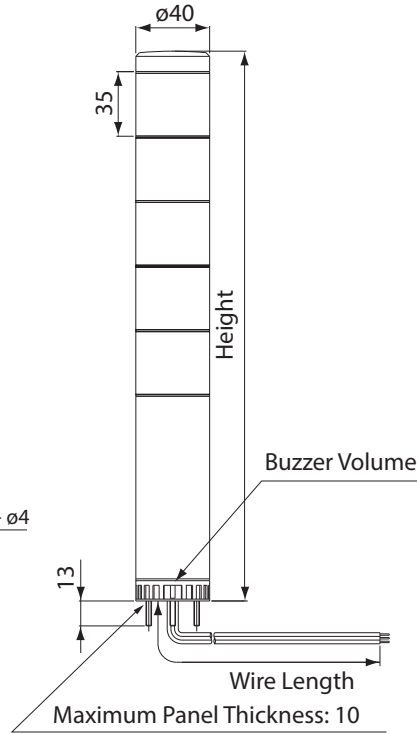
## Side-Mount Bracket



## Direct-mount Dimensions



## LCE-W Type LCE-UW Type



## LCE-M2FB Type

Height
1 Tier : 213
2 Tiers: 248
3 Tiers: 283
4 Tiers: 318
5 Tiers: 353

## LCE Type LCE-U Type

Height
1 Tier : 158
2 Tiers: 193
3 Tiers: 228
4 Tiers: 263
5 Tiers: 298

(Unit: mm)

## Wire Type and Length Chart

Model

LCE-02

Wire Area: 0.3mm<sup>2</sup>

Wire Type: UL1007

Wire Length (mm): 1,100 (W Type: 1,400)

(W Type Brown Wire: 1,350)

LCE-(FB)

Wire Length: All K Type have wire length of 1,000mm

LCE-M2

Signal Wire Area: 0.3mm<sup>2</sup>

Wire Type: UL1007

Wire Length (mm): 1,050 (W Type: 1,350)

Power/Ground Wire Area: 0.75mm<sup>2</sup>

Wire Type: UL1015

Wire Length (mm): 1,050 (W Type: 1,350)

LCE M2FB

Signal Wire Area: 0.3mm<sup>2</sup>

Wire Type: UL1007

Wire Length (mm): 950 (W Type: 1,250)

Power/Ground Wire Area: 0.75mm<sup>2</sup>

Wire Type: UL1015

Wire Length (mm): 950 (W Type: 1,250)

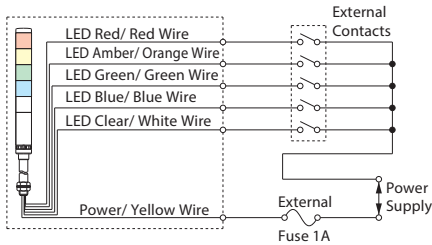
# Specifications

Stack Number	Model	Rated Voltage	Power Consumption	Mass			
				LCE	LCE-W	LCE-FB	LCE-FBW
1 Tier	LCE-102(U)	AC/DC 24V	1.7W	520g	160g	580g	220g
	LCE-1M2	AC 90 -250V	1.9W	600g	240g	650g	290g
2 Tiers	LCE-202(U)	AC/DC 24V	2.4W	550g	190g	610g	250g
	LCE-2M2	AC 90 -250V	2.6W	630g	270g	680g	320g
3 Tiers	LCE-302(U)	AC/DC 24V	3.0W	580g	220g	640g	280g
	LCE-3M2	AC 90 -250V	3.2W	660g	300g	710g	350g
4 Tiers	LCE-402(U)	AC/DC 24V	3.6W	610g	250g	670g	310g
	LCE-4M2	AC 90 -250V	3.8W	690g	330g	740g	380g
5 Tiers	LCE-502(U)	AC/DC 24V	4.2W	640g	280g	700g	340g
	LCE-5M2	AC 90 -250V	4.4W	720g	360g	770g	410g

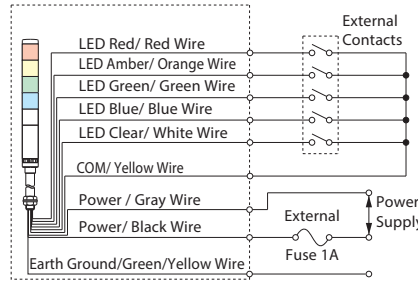


# Wiring

• AC/DC 24V Lighting Type



• AC 90 - 250V Lighting Type

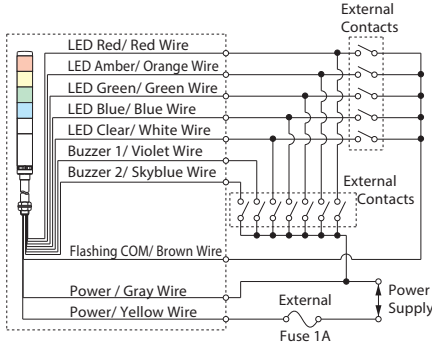


Lead-wire color coordination table

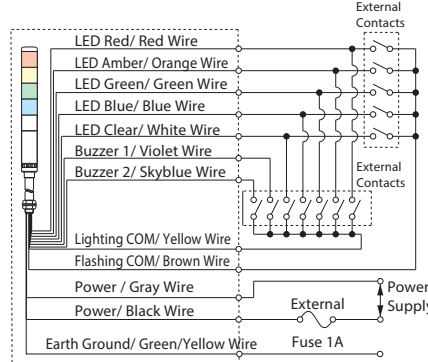
LED Unit Color	Lead Wire Color
Red	Red
Amber	Orange
Green	Green
Blue	Blue
Clear/White	White

Alarm Sounds	Lead Wire Color
Buzzer 1	Purple
Buzzer 2	Skyblue

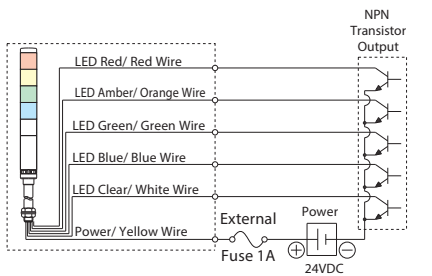
• AC/DC 24V Lighting/Flashing Type



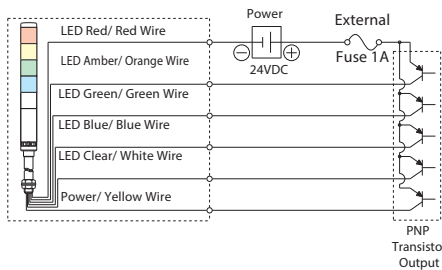
• AC 90 - 250V Lighting/Flashing Type



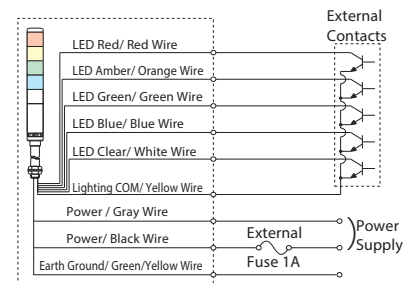
• DC 24V NPN Type



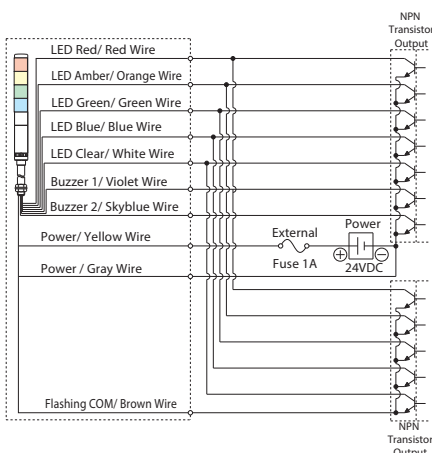
• DC 24V PNP Type



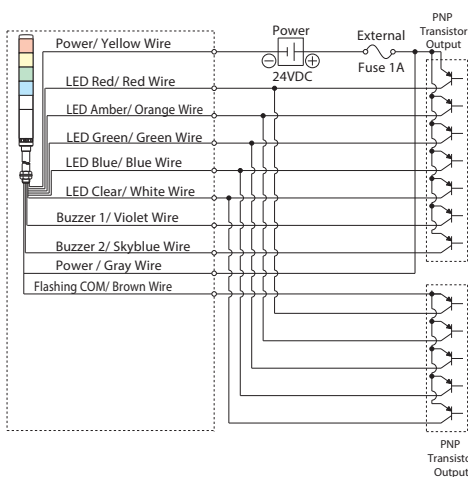
• AC 90 - 250V NPN Type



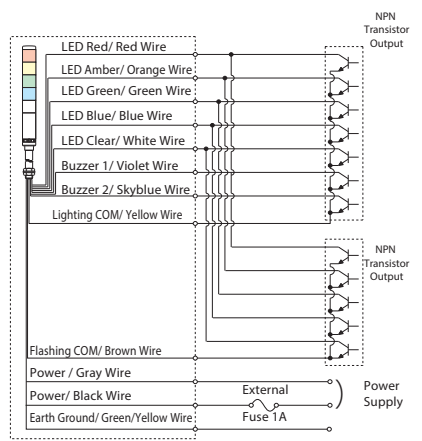
• DC 24V NPN FB Type



• DC 24V PNP FB Type



• AC 90 - 250V NPN FB Type



Signal Line voltage and current per LED Module

Model	Rated Voltage	Signal Line Voltage	LED		Alarm	
			Signal Line Current		Signal Line Current	Inrush Current
			R, Y	G, B, C		
LCE/LCE-U	AC/DC 24V	AC/DC 24V	30mA	25mA	40mA	250mA
LCE-M2	AC 90V - 250V	DC 24V	30mA	25mA	40mA	250mA

# LCS/LCS-U

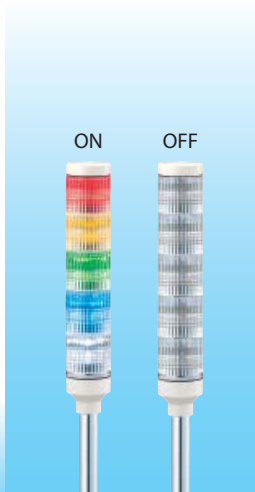
LCS/LCS-U

## Signal Tower

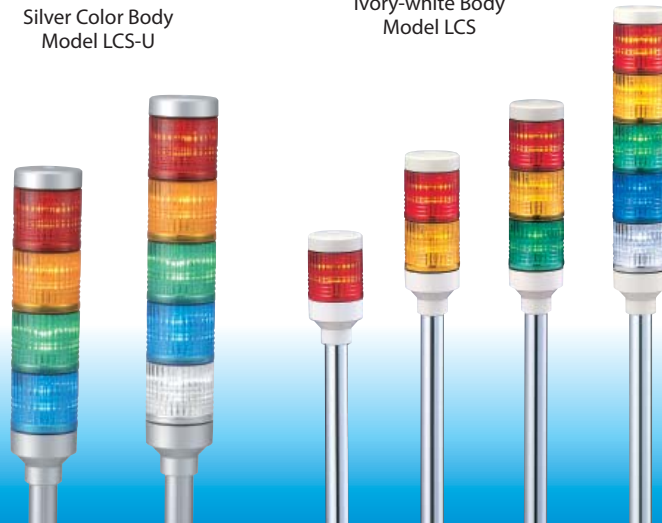


Silver Color Body  
Model LCS-U

Ivory-white Body  
Model LCS



When ordering the clear-lens Signal Tower type, be sure to add "Z" at the end of the part number when ordering



## Versatile LED Signal Tower, featuring high quality with low price.

### FEATURES

- PATLITE's exclusive hybrid prism-cut lens designed for enhanced visibility from any direction and distance.
- Original Dual Reflection System for enhanced light diffusion; creating bright, distinctive illumination while saving energy.
- Direct or pole mount installation.
- Color-coordinated wiring corresponding to the lens color for quick wiring and verification.
- Interchangeable LED Modules requires no re-wiring, even after installation.
- Main body made of ABS resin with superior resistance to impact and heat.
- Lens is made of superior impact resistant and light translucent AS resin.
- Available Colors are in Red, Amber, Green, Blue, and Clear/White.
- Has the CE mark and conforms to the requirements for the EC directive.
- Is a UL Recognized Component (File No. E215660).

### AVAILABLE BY SPECIAL ORDER

- Cable: Versatile and flexible 3m cable.
- Body Color: Silver (LCS-U)
- All Clear Lenses: Distinctive color recognition when operated with clear lenses (B0738 type)
- Available Colors: Red, Amber, Green, Blue, White



Dual Reflection System

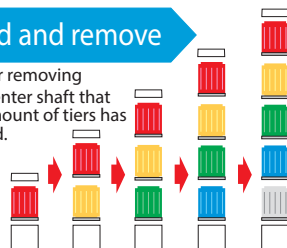
PATLITE's original dual reflection system with its exclusive hybrid prism-cut lens and 5 color LED modules creates a bright, distinctive and even illumination.



High visibility from any angle

### Easy to add and remove

- When adding or removing modules, the center shaft that matches the amount of tiers has to be purchased.



### Interchangeable LED Modules

Changeable color sequence: Easy to add/remove up to 5 colored modules even after installation.

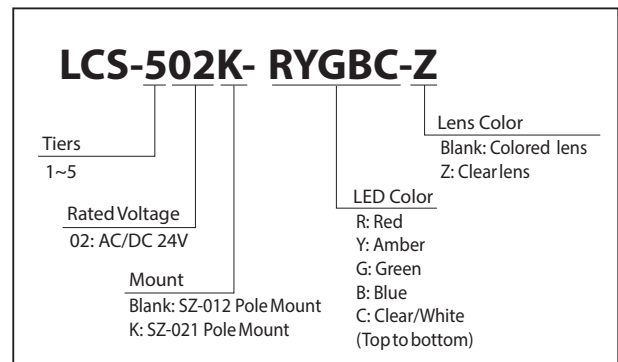
Note: LED modules of the same color within a signal tower will light up simultaneously.



### Wiring doesn't change

- The LED Module colors correspond to the wiring, so re-wiring is not necessary.

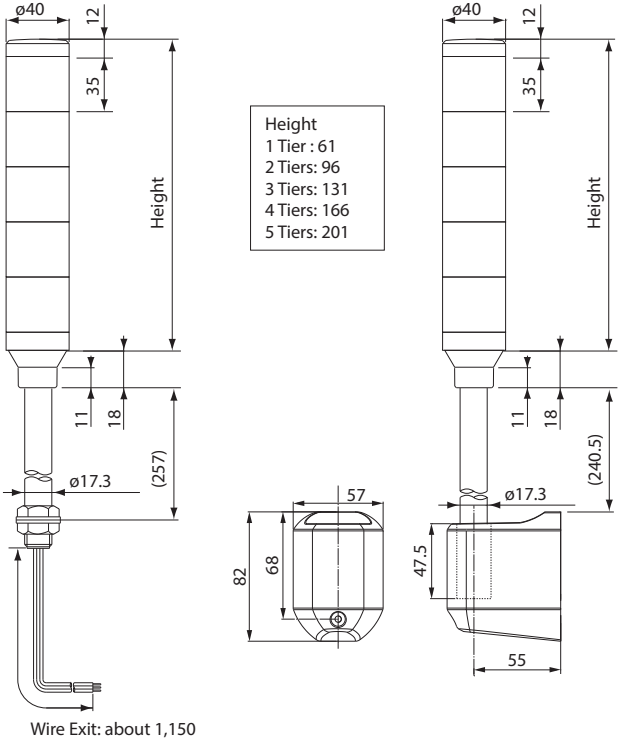
### How to Order



## Dimensions

LCS Type

LCS-K Type

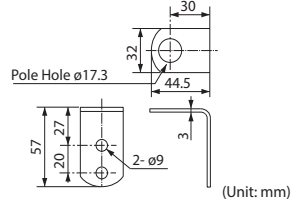


## Specifications

Stack Number	Model	Rated Voltage	Power Consumption	Mass	
				LCS	LCS-K
1 Tier	LCS-102	AC/DC 24V	0.7W	420g	540g
2 Tiers	LCS-202		1.4W	450g	570g
3 Tiers	LCS-302		2.0W	480g	600g
4 Tiers	LCS-402		2.6W	510g	—
5 Tiers	LCS-502		3.2W	540g	—

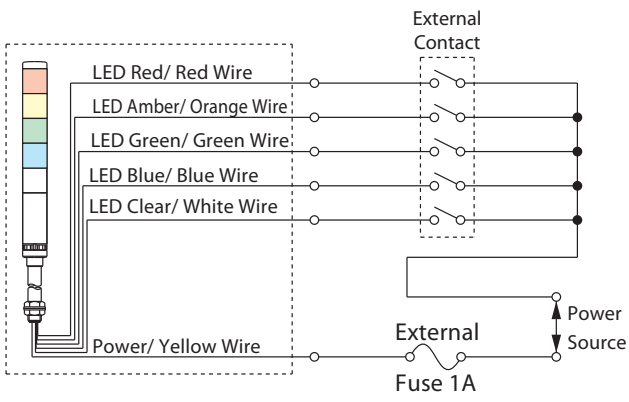


Side-Mount Bracket



## Wiring

• AC/DC 24V Lighting Type



Lead-wire color coordination table

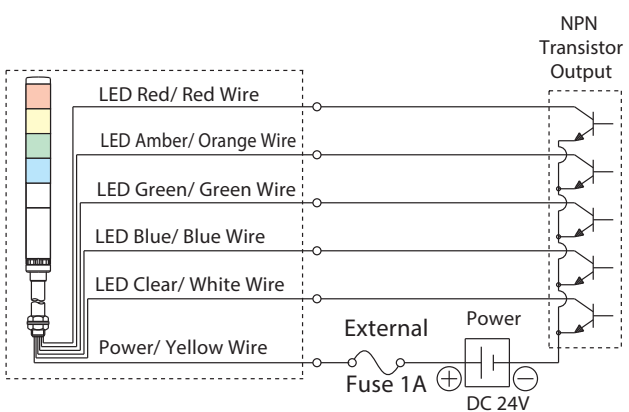
LED Unit Color	Lead Wire Color
Red	Red
Amber	Orange
Green	Green
Blue	Blue
Clear/White	White

Alarm Sounds	Lead Wire Color
Buzzer 1	Purple
Buzzer 2	Skyblue

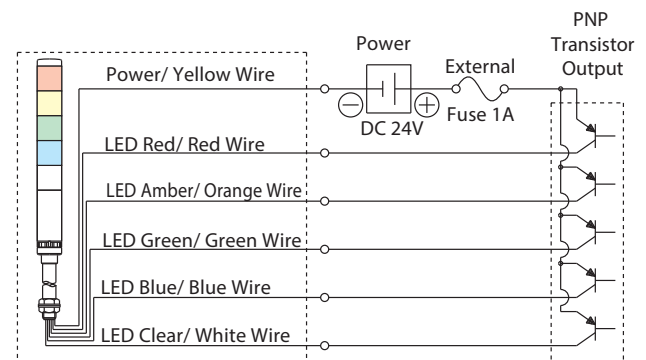
Signal Line voltage and current per LED Module

Model	Voltage Type	Signal Line Voltage	LED		Alarm	
			Signal Line Current	Signal Line Current	Inrush Current	
			R, Y	G, B, C		
LCS	AC/DC 24V	AC/DC 24V	30mA	25mA	40mA	250mA

• DC 24V NPN Type



• DC 24V PNP Type





# LES-A

LES

## Signal Tower



LES-A



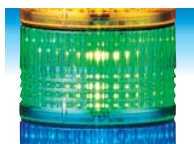
LED

**IP54** (Pole-mount IP23)

**Ø50**

**NPN/PNP  
Open-collector**

## Versatile, cost and energy efficient LED Signal Tower for every need.



High visibility from any angle



Dual Reflection System

PATLITE's original dual reflection system with its exclusive hybrid prism-cut lens and 5 color LED modules creates a bright, distinctive and even illumination.

### FEATURES

- PATLITE's exclusive Prism-Cut Lens designed for enhanced visibility from any direction and distance.
  - Original Dual Reflection System for enhanced light diffusion; creating bright, distinctive illumination while saving energy.
  - Direct or pole mount installation.
  - Main body is constructed of ABS resin with superior resistance to impact and heat.
  - Lens is made of superior impact resistant and light translucent AS resin.
  - NPN/PNP Compatible.
  - Conforms to the CE requirements.
  - UL Recognized Components (File No. E215660).
  - Available colors\* are in Red, Amber, Green, Blue, and Clear/White.
- \* Tiers cannot be increased due to the number of wires corresponding to the amount of tiers.

### How to Order

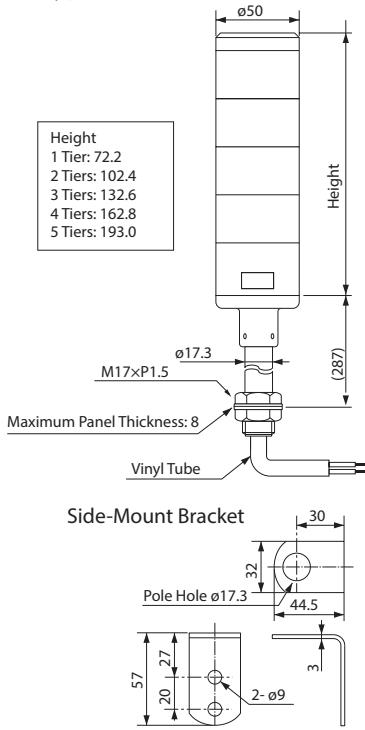
<b>LES-502AW-RYGBC</b>	
Tiers 1~5	Color R: Red Y: Amber G: Green B: Blue C: Clear/White
Rated Voltage 02: AC/DC 24V	Mounting Blank: Pole Mount (with SZ-012) W: Direct Mount

### Specifications

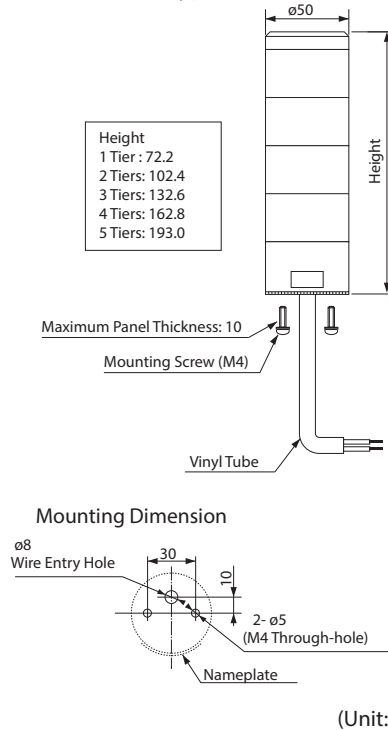
Stack Number	Model	Rated Voltage	Power Consumption	Mass
Pole Type	1 Tier	AC/DC 24V	0.6W	500g
	2 Tiers		1.2W	530g
	3 Tiers		1.7W	560g
	4 Tiers		2.2W	590g
	5 Tiers		2.7W	600g
Direct Mount Type	1 Tier		0.6W	70g
	2 Tiers		1.2W	100g
	3 Tiers		1.7W	130g
	4 Tiers		2.2W	160g
	5 Tiers		2.7W	190g

# Dimensions

## LES-A Type



## LES-AW Type

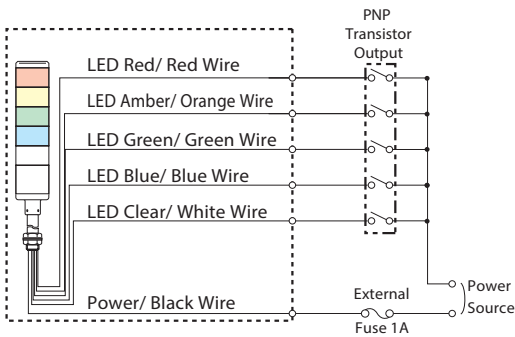


## Lead-wire color coordination table

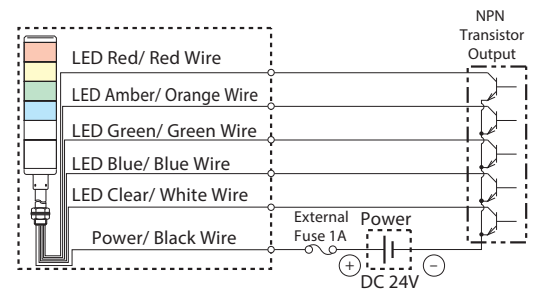
LED Unit Color	Lead Wire Color
Red	Red
Amber	Orange
Green	Green
Blue	Blue
Clear/White	White

## LES Model

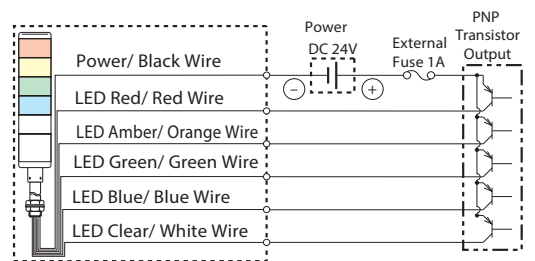
### • AC/DC 24V Lighting Type



### • DC 24V NPN Type



### • DC 24V PNP Type



## Signal Line voltage and current per LED Module

Model	Voltage Type	Signal Line Voltage	LED			Alarm	
			Signal Line Current			Signal Line Current	Inrush Current
			R, Y	G, C	B		
LES	AC/DC 24V	AC/DC 24V	25mA	20mA	22mA	40mA	150mA





# LE



## Signal Tower

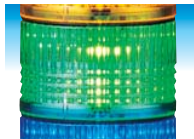
### Direct Mount

### Pole Mount



- LED**
- 2 Alarm Sounds** (FB Type)
- 85dB** at 1m
- IP54** (Pole-mount IP23)
- Ø50**
- NPN/PNP Open-collector**

# Versatile, cost and energy efficient LED Signal Tower for every need.



High visibility from any angle



Dual Reflection System

PATLITE's original dual reflection system with its exclusive hybrid prism-cut lens and 5 color LED modules creates a bright, distinctive and even illumination.

### FEATURES

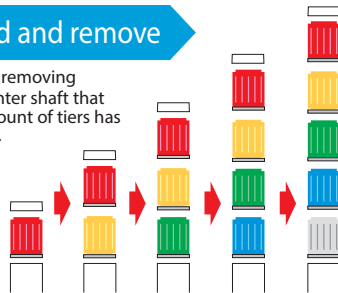
- PATLITE's exclusive Prism-Cut Lens designed for enhanced visibility from any direction and distance.
- Original Dual Reflection System for enhanced light diffusion; creating bright, distinctive illumination while saving energy.
- Two built-in alarms (FB Type) with selectable sound patterns.
- Adjustable volume of up to 85dB (at 1m).
- Direct or pole mount installation.
- Color-coordinated wiring corresponding to the lens color for quick wiring and verification.
- Interchangeable Modules need no re-wiring, even after installation.
- Main body is constructed of ABS resin with superior resistance to impact and heat.
- Lens is made of superior impact resistant and light translucent AS resin.
- NPN/PNP Compatible (Except for LE 100/220V AC, compatible with NPN only).
- Available colors are in Red, Amber, Green, Blue, and Clear/White.
- Conforms to the CE requirements (for 12V, 24V type only).
- UL Recognized Components (File No. E215660) (for 12V,24V type only).

## How to Order

<b>LE-502FBW-RYGBC</b>	
<b>Tiers</b> 1~5	<b>Color</b> R: Red Y: Amber G: Green B: Blue C: Clear/White (Top to bottom)
<b>Rated Voltage</b> 01: AC/DC 12V 02: AC/DC 24V 10: AC 100V 20: AC 220V	<b>Mounting</b> P: SZ-012 Pole Mount W: Direct Mount
<b>Type</b> Blank: Continuous light FB: Flashing/ Alarm	

### Easy to add and remove

- When adding or removing modules, the center shaft that matches the amount of tiers has to be purchased.



### Interchangeable LED Modules

Changeable color sequence: Easy to add/remove up to 5 colored modules even after installation.

Note: LED modules of the same color within a signal tower will light up simultaneously.

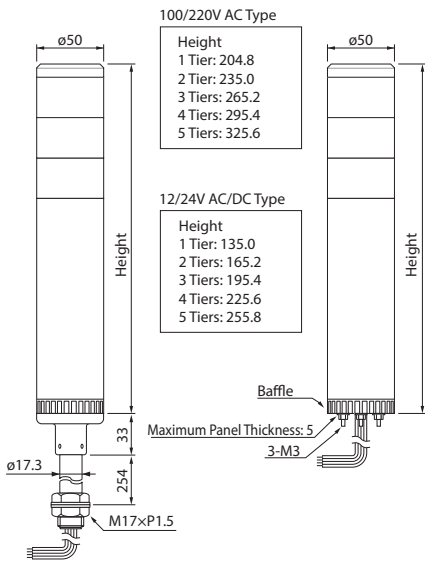
### Wiring doesn't change

- The LED Module colors correspond to the wiring, so re-wiring is not necessary.



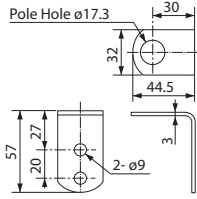
# Dimensions

## LE Type

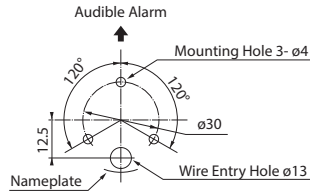


## LE-FB Type

### Side-Mount Bracket



### Mounting Dimension



(Unit: mm)

# Specifications

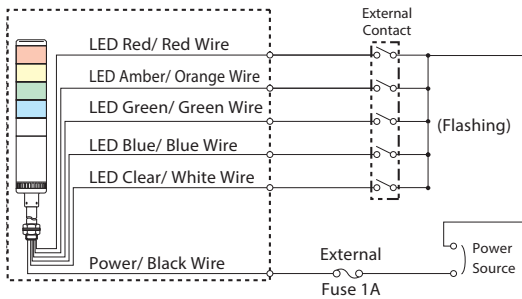
Stack Number	Model	Rated Voltage	Power Consumption	Mass	
				(FB)P	(FB)W
1 Tier	LE-101	AC/DC 12V	1.1W	640g	260g
	LE-102	AC/DC 24V	1.6W		
	LE-110	AC 100V	5.7W	780g	400g
	LE-120	AC 220V			
2 Tiers	LE-201	AC/DC 12V	1.7W	690g	310g
	LE-202	AC/DC 24V	2.2W		
	LE-210	AC 100V	6.7W	830g	450g
	LE-220	AC 220V			
3 Tiers	LE-301	AC/DC 12V	2.2W	740g	360g
	LE-302	AC/DC 24V	2.7W		
	LE-310	AC 100V	7.5W	880g	500g
	LE-320	AC 220V			
4 Tiers	LE-401	AC/DC 12V	2.7W	790g	410g
	LE-402	AC/DC 24V	3.2W		
	LE-410	AC 100V	8.3W	930g	550g
	LE-420	AC 220V			
5 Tiers	LE-501	AC/DC 12V	3.2W	840g	460g
	LE-502	AC/DC 24V	3.7W		
	LE-510	AC 100V	9.1W	980g	600g
	LE-520	AC 220V			



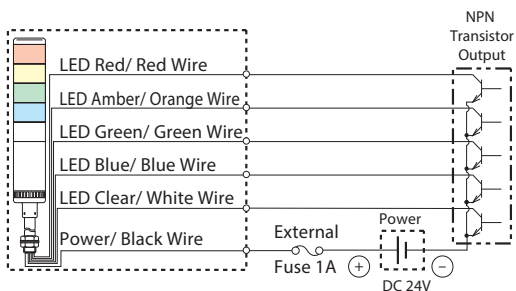
# Wiring

## LE Model

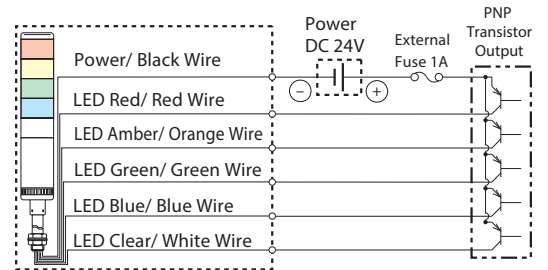
### AC/DC 24V Lighting Type



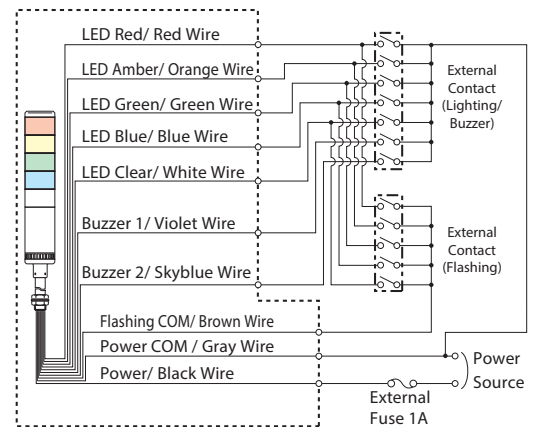
### DC 24V NPN Type



### DC 24V PNP Type

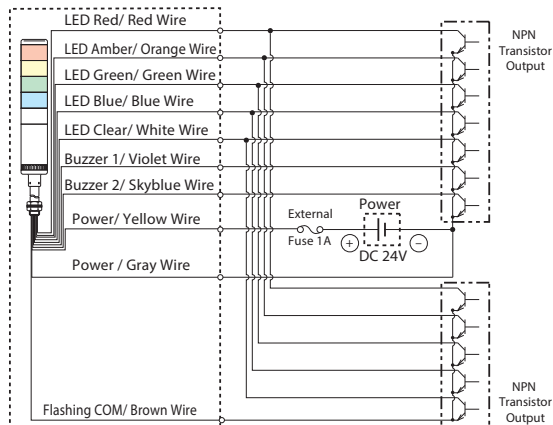


### AC/DC 24V Lighting/Flashing Type

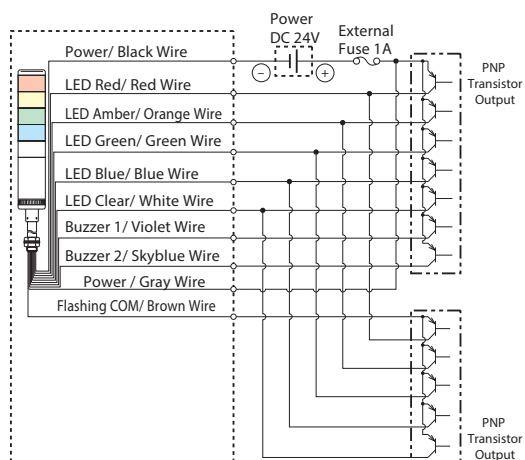


# LE Model

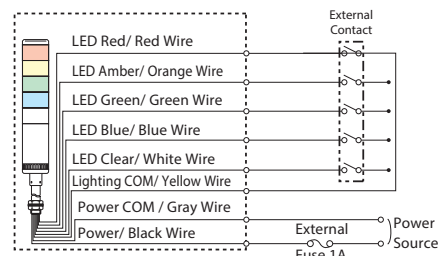
## • DC 24V NPN FB Type



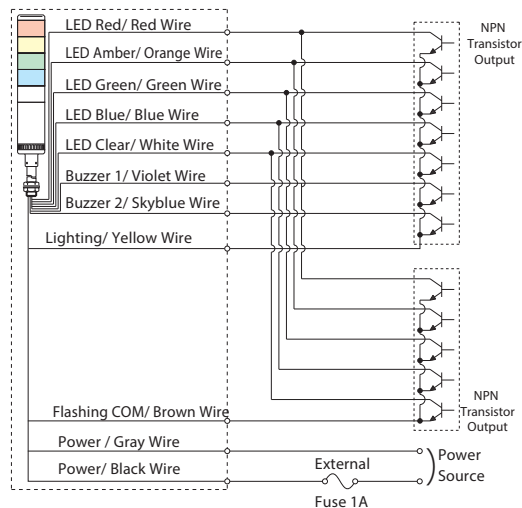
## • DC 24V PNP FB Type



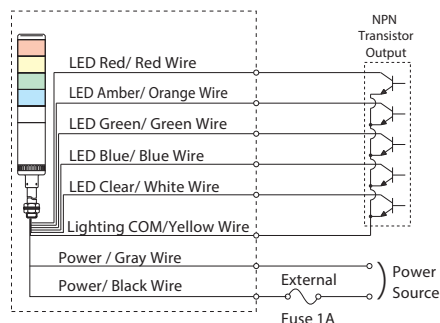
## • AC Power Lighting Type



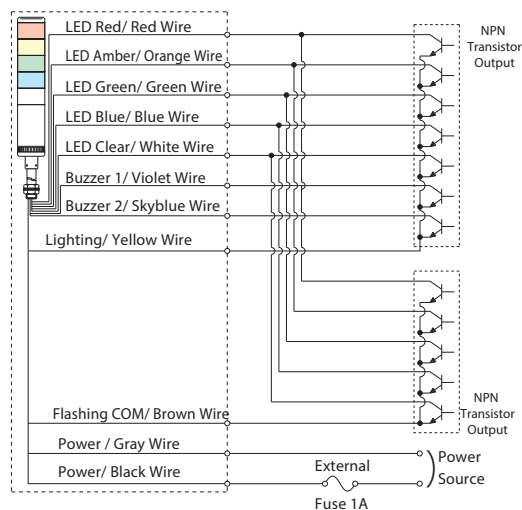
## • AC Power Lighting/Flashing Type



## • AC Power NPN Type



## • AC Power NPN FB Type



Signal Line Voltage and Current per LED Module

Voltage Type	Signal Line Voltage	LED			Alarm	
		Signal Line Current			Signal Line Current	Inrush Current
		R, Y	G, C	B		
AC/DC 12V	AC/DC 12V	50mA	40mA	44mA	40mA	150mA
AC/DC 24V	AC/DC 24V	25mA	20mA	22mA		
AC 100V, 220V	DC 24V	25mA	20mA	22mA		

Lead-wire color coordination table

LED Unit Color	Lead Wire Color
Red	Red
Amber	Orange
Green	Green
Blue	Blue
Clear/White	White

Alarm Sounds	Lead Wire Color
Buzzer 1	Purple
Buzzer 2	Skyblue

# LU5

## Signal Tower



LED



2 Alarm Sounds

85dB at 1m

IP65

Ø50

NPN/PNP  
Open-collector



## Versatile modular Signal Tower featuring easy assembly and wiring designed for every need.

### FEATURES

- PATLITE's exclusive hybrid prism-cut lens designed for enhanced visibility from any direction and distance.
- Two built-in alarms (FB Type) with selectable sound patterns.
- Maximum volume of up to 85dB (at 1m).
- Direct or pole\* mount installation.
- Color-coordinated Terminal block corresponding to the lens colors for quick wiring and verification.
- Interchangeable LED Modules requires no re-wiring, even after installation.
- Lens is made of superior impact and heat resistant polycarbonate resin for superior durability and light transmission.
- Available Colors are in Red, Amber, Green, Blue, and Clear/White.

### AVAILABLE BY SPECIAL ORDER

- Modules of the same color can be modified to operate from different terminals.

\* Optional part sold separately.

## How to Order



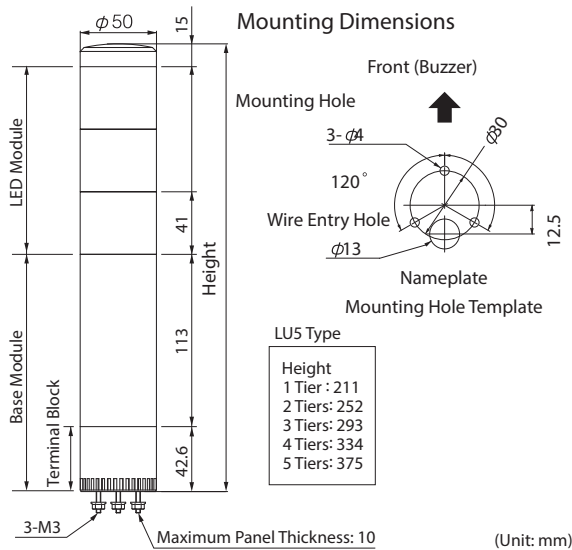
LED Module	Base Unit
<b>LU5-E-R</b>	<b>LU5-02UFB</b>
Color	Rated Voltage
R: Red	02: DC 24V
Y: Amber	Base Color
G: Green	Blank: Ivory White
B: Blue	U : Silver
C: White/Clear	K : Black
LED Unit	Type
	Blank: Continuous Light
	FB : Flashing/ Alarm

## Specifications (Module)

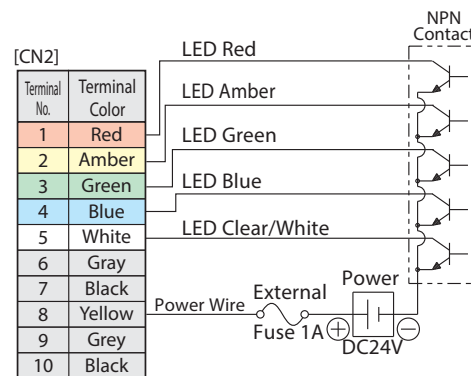
Module Color	Model	Rated Voltage	Operating Voltage Range	Current/Power Consumption	Mass
RED	LU5-E-R	DC 24V	21.6V - 26.4V	52mA/1.25W	44g
AMBER	LU5-E-Y				
GREEN	LU5-E-G				
BLUE	LU5-E-B				
CLEAR	LU5-E-C			42mA/1.25W	

## Specifications (Base)

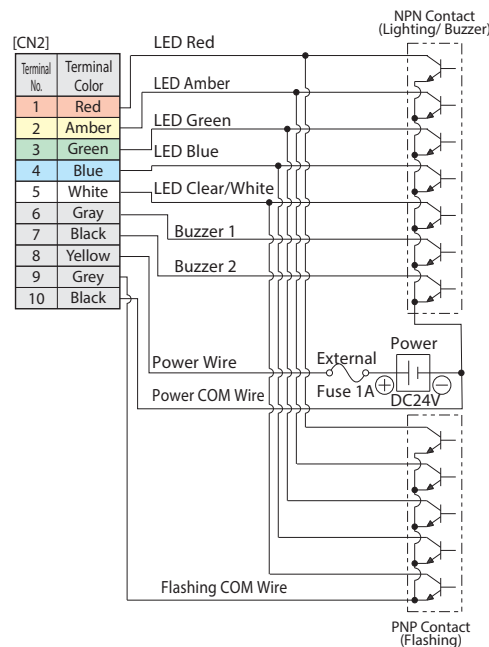
Model	Options	Rated Voltage	Operating Voltage Range	Open Collector	Mass
LU5-02	Continuous	DC 24V	21.6V - 26.4V	NPN/PNP	182g
LU5-02FB	2 Sounds/Flash				200g



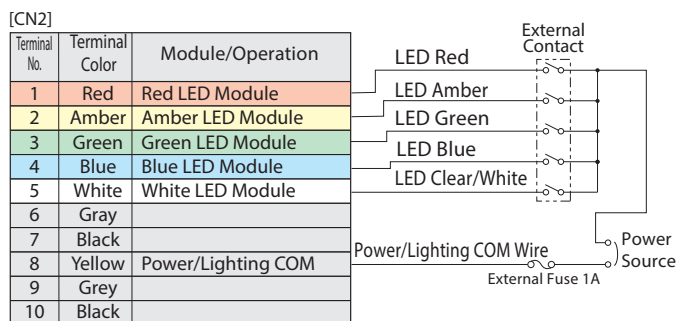
### DC 24V NPN Type



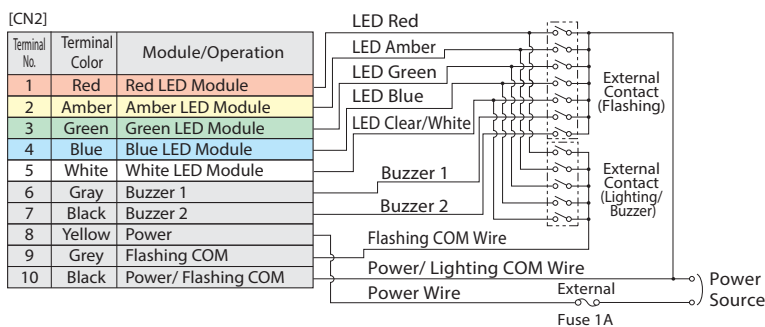
### DC 24V NPN FB Type



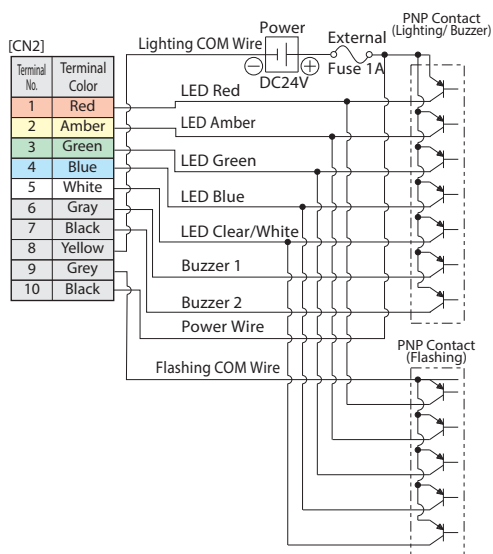
### AC/DC 24V Lighting Type



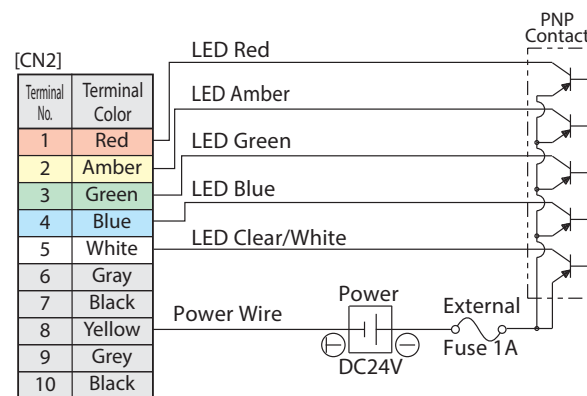
### AC/DC 24V Lighting/Flashing Type



### DC 24V PNP FB Type

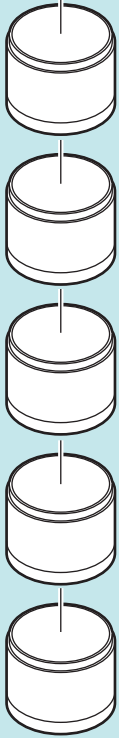


### DC 24V PNP Type



### External Contact Capacity

Specifications		24V DC
LED Unit (1 Unit)	Current Consumption	Red,Amber: 52mA Green,Blue,White/Clear: 42mA
	Contact Capacity	Is $\geq$ 100mA, Vs $\geq$ 35V AC
Buzzer	Current Consumption	50mA
	Inrush Current	100mA
	Contact Capacity	Is $\geq$ 100mA, Vs $\geq$ 35V AC
Power Supply	Current Consumption	360mA
	Contact Capacity	Is $\geq$ 500mA, Vs $\geq$ 35V AC
External Contact Fuse		
Voltage		Fuse Amperage Rating
All Models		250V, 1A



LED Units



Model	LU5-E-R	LU5-E-Y	LU5-E-G	LU5-E-B	LU5-E-C
Unit Color					
Rated Voltage	DC 24V				
Operating Voltage Range	DC 21.6 ~ 26.4V				
Current/Power Consumption	52mA/1.25W		42mA/1.0W		
Operating Temperature Range	-30°C ~ +60°C				
Mass (±10%)	44g				



BASE Units



Model	LU5-02	LU5-02FB
Color		
Body Style	Standard	
Rated Voltage	DC 24V	
Operating Voltage Range	DC 21.6 ~ 26.4V	
Alarm		*Buzzer 1    *Buzzer 2
Current Consumption		50±10mA    24±10mA
Power Consumption		1.2±0.25W    0.58±0.25W
Sound Level		Max:85±5dB (at 1m)
Flashing Cycle		60±12 flashes per minutes
Operating Temperature Range	-30°C ~ +60°C	
Mounting Direction	Upright, indoor only	
Protection Rating	IP65	
Mass (±10%)	182g	200g
Open Collector	PNP/NPN	

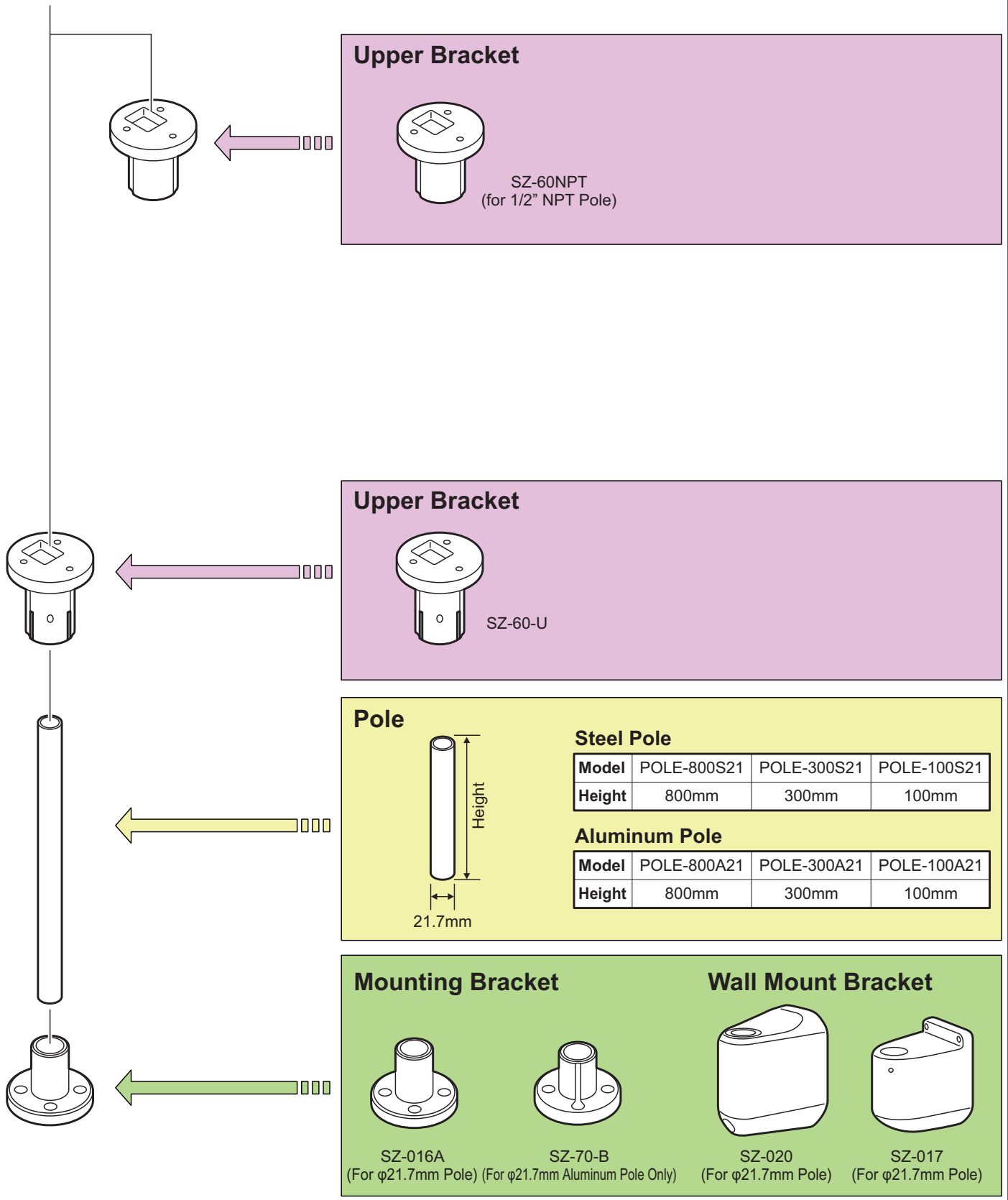
\* Buzzer 1 : Continuous Sound    \*\*Buzzer 2 : Intermittent Sound



Optional Parts



Optional Parts

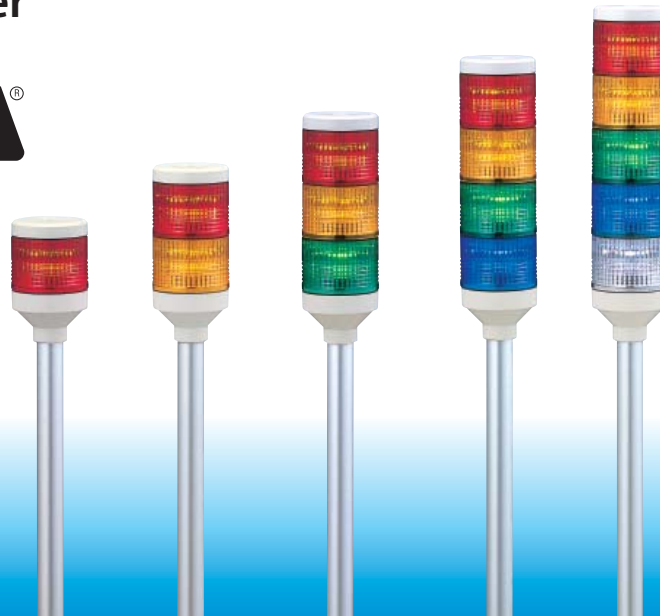


# LMS

## Signal Tower



- LED 
- IP65
- Ø60
- NPN/PNP  
Open-collector



When ordering the clear-lens Signal Tower type, be sure to add "-Z" at the end of the part number when ordering

## Versatile, cost and energy efficient LED Signal Tower for every need.



Reflection System



High visibility from any angle

### FEATURES

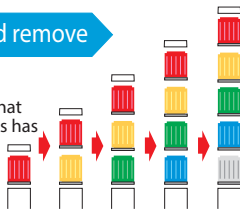
- PATLITE's exclusive hybrid prism-cut lens designed for enhanced visibility from any direction and distance.
- Original Dual Reflection System for enhanced light diffusion; creating bright, distinctive illumination while saving energy.
- Pole-mount installation.
- Interchangeable Modules need no re-wiring, even after installation.
- Main body is constructed of ABS resin with superior resistance to impact and heat.
- Lens is made of superior impact resistant and light translucent AS resin.
- Available colors are in Red, Amber, Green, Blue, and Clear/White.
- Has the CE mark and conforms to the requirements for the EC directive.
- Is a UL Recognized Component (File No. E215660)

### AVAILABLE BY SPECIAL ORDER

- Model LMS-U: Silver Color Body (FB060 type).

### Easy to add and remove

- When adding or removing modules, the center shaft that matches the amount of tiers has to be purchased.



### Interchangeable LED Modules

Changeable color sequence: Easy to add/remove up to 5 colored modules even after installation.

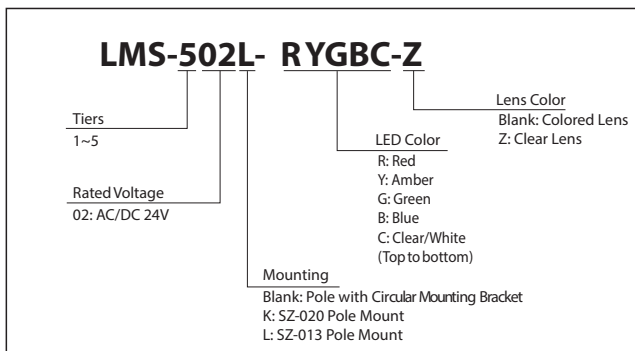
Note: LED modules of the same color within a signal tower will light up simultaneously.

### Wiring doesn't change

- The LED Module colors correspond to the wiring, so re-wiring is not necessary.

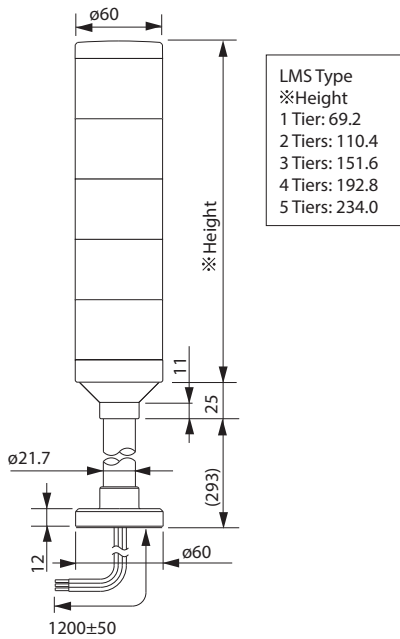


## How to Order



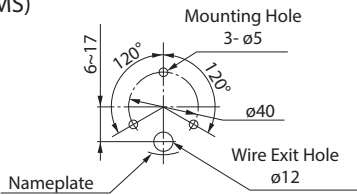
# Dimensions

LMS

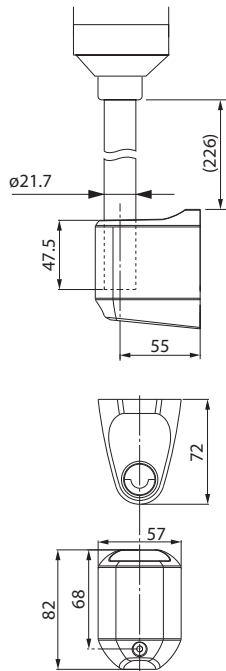


LMS Type  
 ※Height  
 1 Tier: 69.2  
 2 Tiers: 110.4  
 3 Tiers: 151.6  
 4 Tiers: 192.8  
 5 Tiers: 234.0

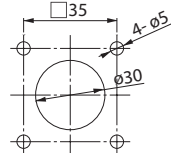
Mounting Dimensions (LMS)



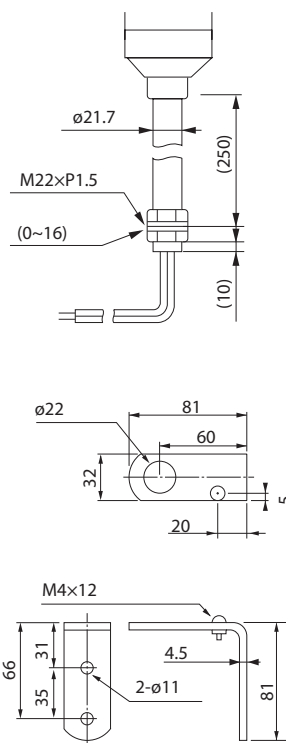
LMS-K



Mounting Dimensions (LMS-K)



LMS-L

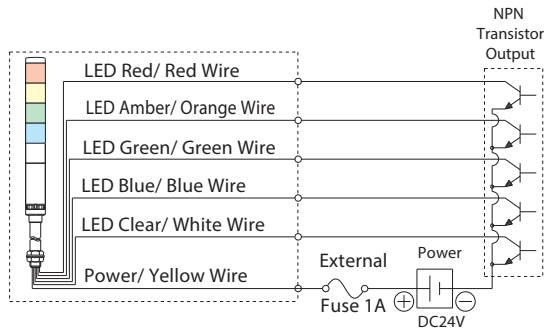


(Unit: mm)

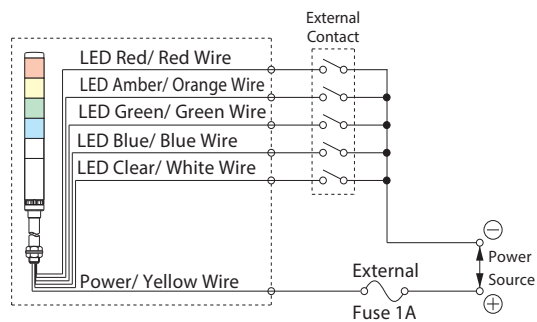


# Wiring

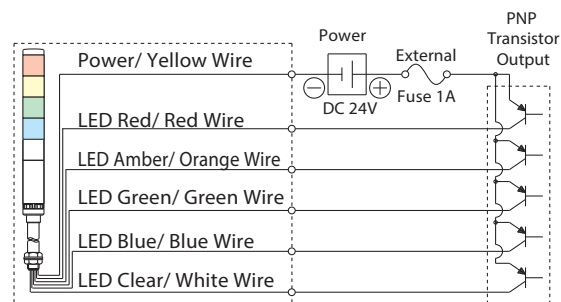
- DC 24V NPN Type



- AC/DC 24V Lighting Type



- DC 24V NPN FB Type



# Specifications

Stack Number	Model	Rated Voltage	Power Consumption	Mass		
				LMS	LMS-L	LMS-K
1 Tier	LMS-102	AC/DC 24V	1.2W	290g	620g	420g
2 Tiers	LMS-202		2.4W	340g	670g	480g
3 Tiers	LMS-302		2.8W	390g	720g	540g
4 Tiers	LMS-402		3.2W	440g	770g	600g
5 Tiers	LMS-502		3.6W	490g	820g	660g

# LME/LME-U/LME-N



## Signal Tower

Silver Color Body  
Model LME-U

Black Color Body  
Model LME-N

Ivory-white Body  
Model LME

LED



2 Alarm Sounds (FB Type)

90dB at 1m (FB Type)

IP65 (FB, L, K: IP54)

Ø60

Cable (LME-U)

NPN/PNP  
Open-collector



When ordering the clear-lens Signal Tower type, be sure to add "-Z" at the end of the part number when ordering

## Versatile, cost and energy efficient LED Signal Tower for every need.



High visibility from any angle



Adjustable Volume (Max. 85dB at 1m)



Dual Reflection System

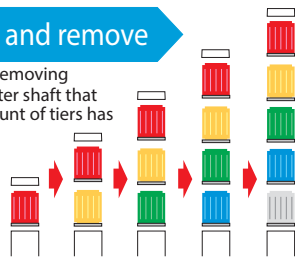
PATLITE's original dual reflection system with its exclusive hybrid prism-cut lens and 5 color LED modules creates a bright, distinctive and even illumination.

### FEATURES

- PATLITE's exclusive hybrid prism-cut lens designed for enhanced visibility from any direction and distance.
- Original Dual Reflection System for enhanced light diffusion; creating bright, distinctive illumination while saving energy.
- Two built-in alarms (FB Type) with selectable sound patterns.
- Adjustable volume of up to 90dB (at 1m).
- Direct or pole mount installation.
- Interchangeable Modules need no re-wiring, even after installation.
- Main body is constructed of ABS resin with superior resistance to impact and heat. (U type has silver body and 3m cable)
- Lens is made of superior impact resistant and light translucent AS resin.
- NPN/PNP Compatible (Except 120/220V AC LME-U, compatible with NPN only).
- Available colors are in Red, Amber, Green, Blue, and Clear/White.
- Conforms to the CE requirements (for 24V type only).
- UL Recognized Components (File No. E215660; for 24V, 120V, 230V type only)

### Easy to add and remove

- When adding or removing modules, the center shaft that matches the amount of tiers has to be purchased.



### Interchangeable LED Modules

Changeable color sequence: Easy to add/remove up to 5 colored modules even after installation.

Note: LED modules of the same color within a signal tower will light up simultaneously.

### Wiring doesn't change

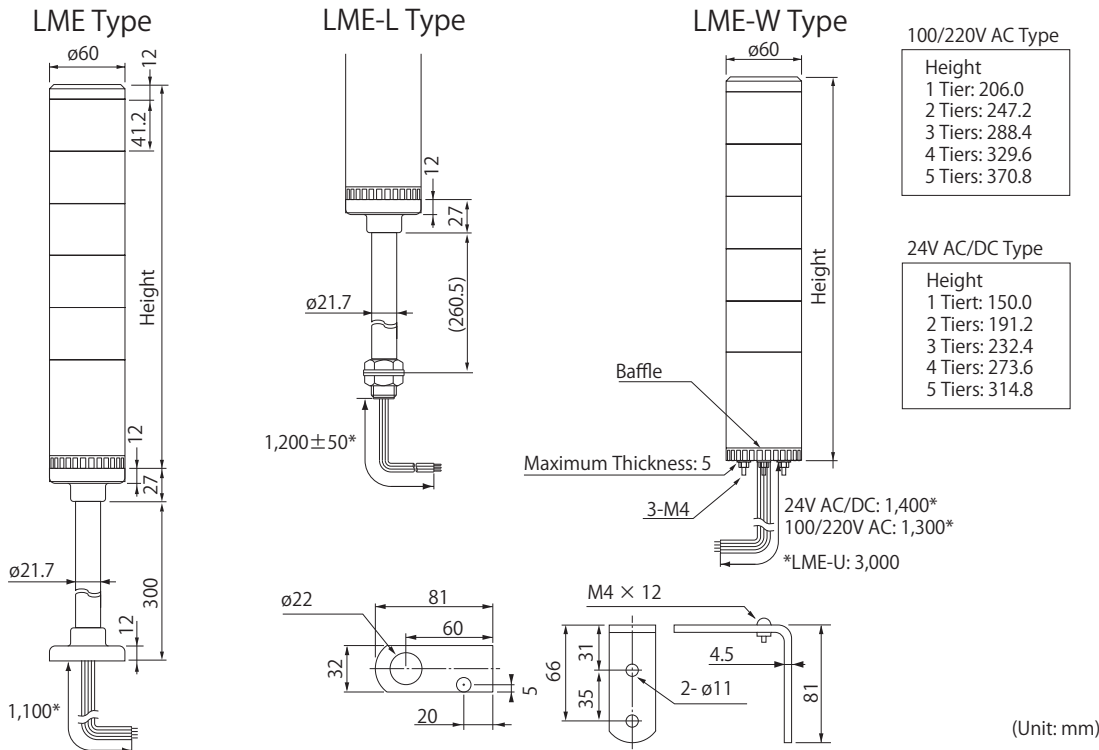
- The LED Module colors correspond to the wiring, so re-wiring is not necessary.

## How to Order

**LME-502UFBW-RYGBC-Z**

<b>Tiers</b> 1~5	<b>Rated Voltage</b> 02: AC/DC 24V 10: AC 100V 12: AC 120V 20: AC 220V 23: AC 230V	<b>Body Color</b> Blank: Ivory White N: Black U: Silver	<b>LED Color</b> R: Red Y: Amber G: Green B: Blue C: Clear/White (Top to bottom)	<b>Lens Color</b> Blank: Colored Lens Z: Clear Lens
	<b>Type</b> Blank: Continuous Light FB: Flashing/ Alarm	<b>Mounting</b> Blank: Pole Mount with circular mounting bracket K: SZ-020 Pole Mount L: SZ-013 Pole Mount W: Direct Mount		

# Dimensions



(Unit: mm)



LME/LME-U/LME-N

# Specifications

Stack Number	Model	Rated Voltage	Power Consumption	Mass		
				LME	LME-L	LME-W
1 Tier	LME-102	AC/DC 24V	2.2W	0.43kg	0.73kg	0.27kg
	LME-110	AC 100V				
	LME-112	AC 120V	5.1W	0.68kg	1.06kg	0.52kg
	LME-120	AC 220V				
	LME-123	AC 230V				
2 Tiers	LME-202	AC/DC 24V	3.4W	0.48kg	0.78kg	0.32kg
	LME-210	AC 100V				
	LME-212	AC 120V	7.1W	0.73kg	1.10kg	0.57kg
	LME-220	AC 220V				
	LME-223	AC 230V				
3 Tiers	LME-302	AC/DC 24V	3.8W	0.53kg	0.83kg	0.37kg
	LME-310	AC 100V				
	LME-312	AC 120V	7.9W	0.78kg	1.14kg	0.62kg
	LME-320	AC 220V				
	LME-323	AC 230V				
4 Tiers	LME-402	AC/DC 24V	4.2W	0.58kg	0.88kg	0.42kg
	LME-410	AC 100V				
	LME-412	AC 120V	8.7W	0.83kg	1.18kg	0.67kg
	LME-420	AC 220V				
	LME-423	AC 230V				
5 Tiers	LME-502	AC/DC 24V	4.6W	0.63kg	0.93kg	0.47kg
	LME-510	AC 100V				
	LME-512	AC 120V	9.5W	0.86kg	1.22kg	0.72kg
	LME-520	AC 220V				
	LME-523	AC 230V				

Lead-wire color coordination table

LED Unit Color	Lead Wire Color
Red	Red
Amber	Orange
Green	Green
Blue	Blue
Clear/White	White

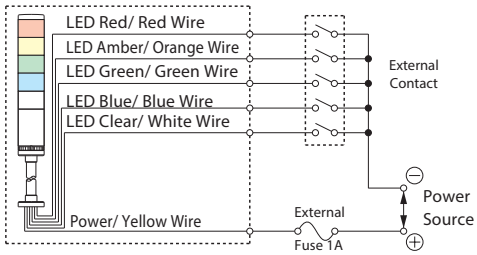
Alarm Sounds	Lead Wire Color
Buzzer 1	Purple
Buzzer 2	Skyblue

Signal Line voltage and current per LED Module

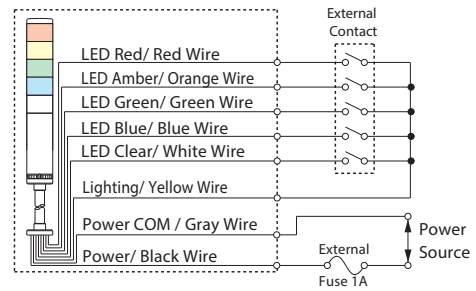
Rated Voltage	Signal Line Voltage	LED		Alarm	
		Signal Line Current		Signal Line Current	Inrush Current
AC/DC 24V	AC/DC 24V	R, Y	G, B, C		
AC 100V	DC 24V	50mA	20mA	40mA	250mA
AC 200V					

# Wiring

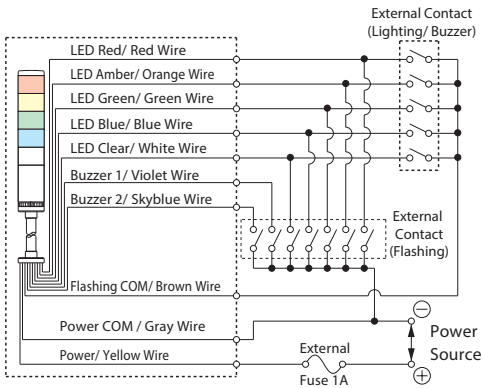
• AC/DC 24V Lighting Type



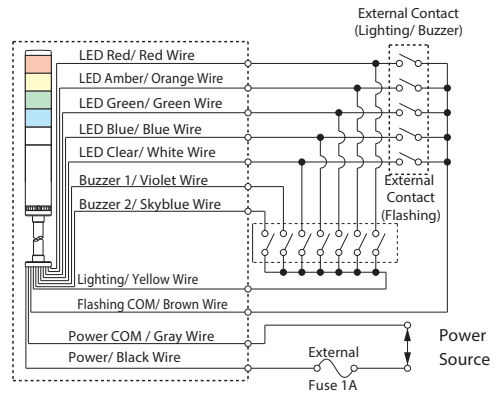
• AC Power Lighting Type



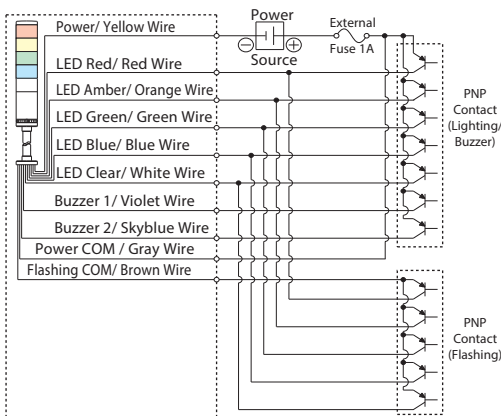
• AC/DC 24V Lighting/Flashing Type



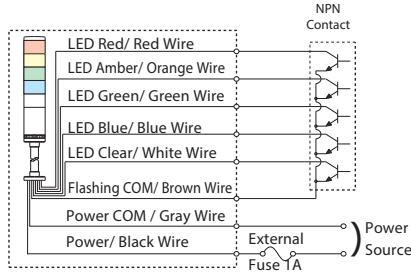
• AC Power Lighting/Flashing Type



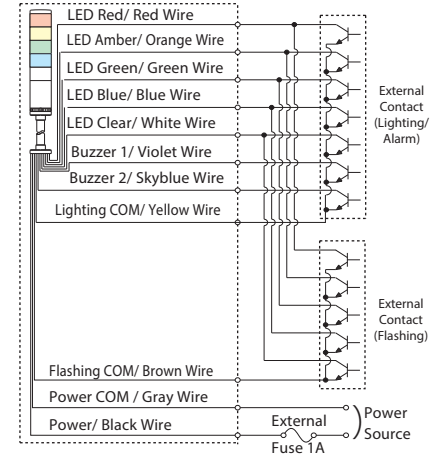
• DC 24V NPN FB Type



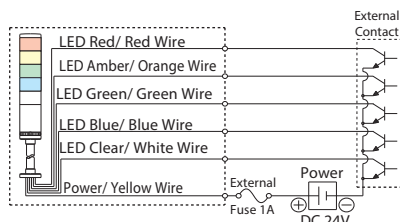
• AC Power NPN Type



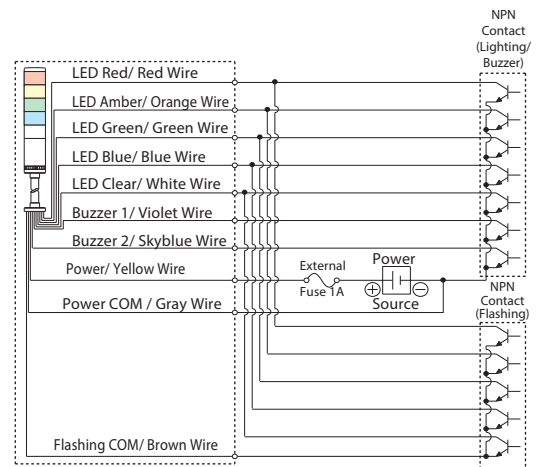
• AC Power NPN FB Type



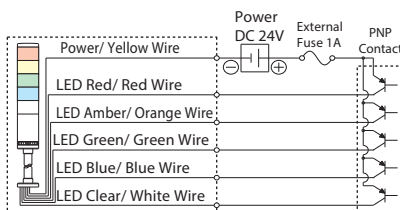
• DC 24V NPN Type



• DC 24V PNP FB Type



• DC 24V PNP Type







# LME-S/LME-Q

## Signal Tower



LED

2 Alarm Sounds (FB Type)

90dB at 1m (FB Type)

IP65

Ø60

Cable

NPN  
Open-collector



## Space-saving, multi-color single-tier LED Signal Tower.



High visibility from any angle Adjustable Volume (Max. 85dB at 1m)



Dual Reflection System

PATLITE's original dual reflection system with its exclusive hybrid prism-cut lens and 5 color LED modules creates a bright, distinctive and even illumination.

### FEATURES

- PATLITE's exclusive hybrid prism-cut lens designed for enhanced visibility from any direction and distance.
- Original Dual Reflection System for enhanced light diffusion; creating bright, distinctive illumination while saving energy.
- Two built-in alarms (FB Type) with selectable sound patterns.
- Adjustable volume of up to 90dB (at 1m).
- Direct or pole mount installation.
- Interchangeable Modules need no re-wiring, even after installation.
- PATLITE's single-tiered triple or quadruple colored unit is ideal for applications with limited vertical space.
- Pole-mount installation includes a circular mounting base as standard equipment.
- See "Color Coordination Combination" Section for available colors.

### MODEL LME-S AVAILABLE BY SPECIAL ORDER

- Rated Voltage: AC/DC 24V only.
- Body: Silver Color
- Cable: Versatile and flexible 3m cable.
- PNP compatible

## How to Order

**LME-102UFBW-S1**

<p><b>Rated Voltage</b></p> <p>02: DC 24V 10: AC 100V 12: AC 120V 20: AC 220V 23: AC 230V</p>	<p><b>Body Color</b></p> <p>Blank: Ivory White U: Silver</p>	<p><b>Color Combinations</b></p> <p>S1: Red, Amber, Green S4: Red, Green, Blue S7: Amber, Green, Blue Q1: Red, Amber, Green, Blue Q2: Red, Amber, Green, Clear/White Q4: Amber, Green, Blue, Clear/White</p>
<p><b>Type</b></p> <p>Blank: Continuous light FB: Flashing/ Alarm</p>	<p><b>Mount</b></p> <p>Blank: Pole Mount with circular mounting bracket W: Direct Mount</p>	

## Specifications

Series	Stack Number	Model	Rated Voltage	Power Consumption	Mass	
					LME	LME-W
LME-S	1 Tier	LME-102	DC 24V	5.1W	860g	520g
		LME-110	AC 100V			
		LME-112	AC 120V			
		LME-120	AC 220V			
		LME-123	AC 230V			
LME-Q	1 Tier	LME-102	DC 24V	5.1W	680g	520g
		LME-110	AC 100V			
		LME-112	AC 120V			
		LME-120	AC 220V			
		LME-123	AC 230V			



Patlite's unique single-tier unit with triple or quadruple colors integrated.

S1: Red, Amber, Green



Q1: Red, Amber, Green, Blue



S4: Red, Green, Blue



Q1: Red, Amber, Green, Clear/White



S7: Amber, Green, Blue

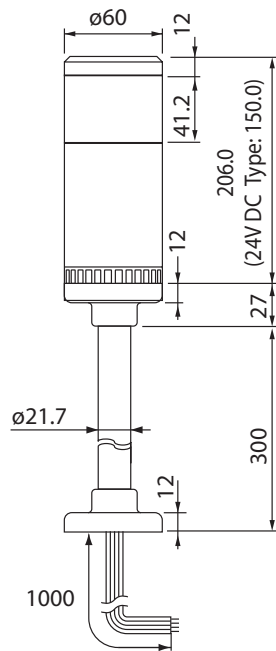


Q1: Amber, Green, Blue, Clear/White

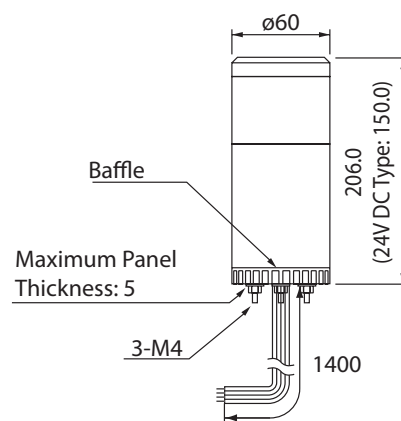


## Dimensions

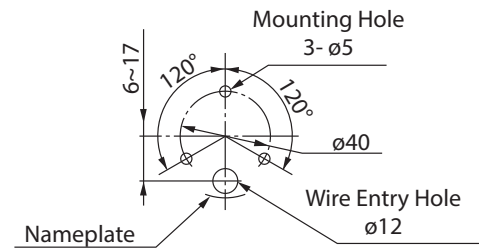
LME Type



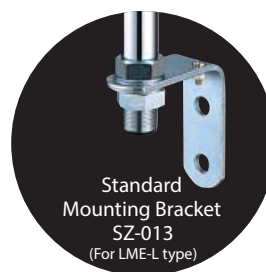
LME-W Type



Mounting Dimensions (LME-W)



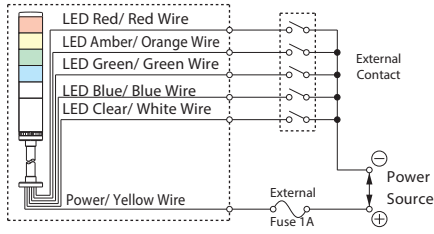
(Unit: mm)



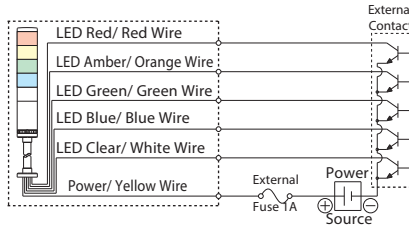
### Clear Lens

Patlite's new single-tier, multi-color unit is ideally suited for installations requiring a multiple color display but has limited vertical space. The clear lenses are easily distinguishable between lit and unlit lamps, and the unlit look can integrate visually with the equipment it is attached to.

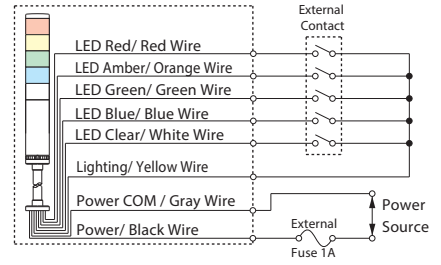
• DC 24V Lighting Type



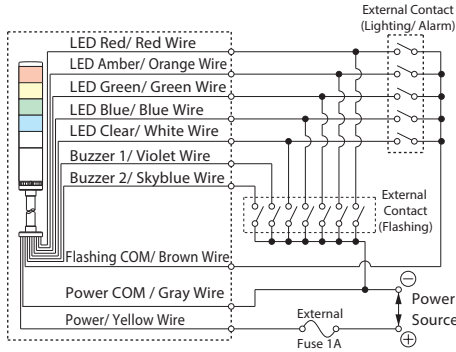
• DC 24V NPN Type



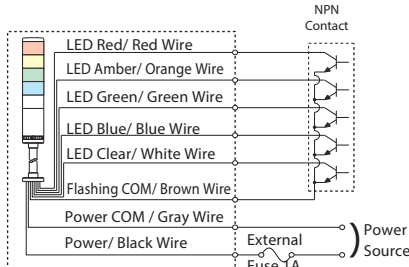
• AC Power Lighting Type



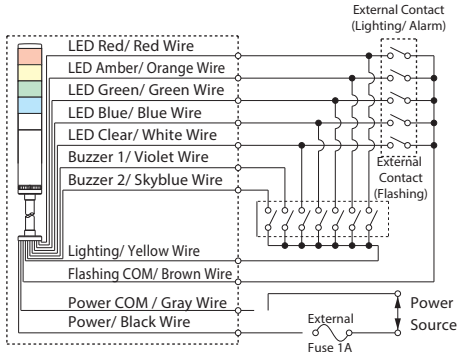
• DC 24V Lighting/Flashing Type



• AC Power NPN Type



• AC Power Lighting/Flashing Type



LME-S/Q Lead-wire Color Table

	LED Unit Color	Lead Wire Color
S1	Red, Amber, Green	Red, Orange, Green
S4	Red, Green, Blue	Red, Green, Blue
S7	Amber, Green, Blue	Orange, Green, Blue
Q1	Red, Amber, Green, Blue	Red, Orange, Green, Blue
Q2	Red, Amber, Green, Clear/White	Red, Orange, Green, White
Q4	Amber, Green, Blue, Clear/White	Orange, Green, Blue, White

Signal Line voltage and current per LED Module

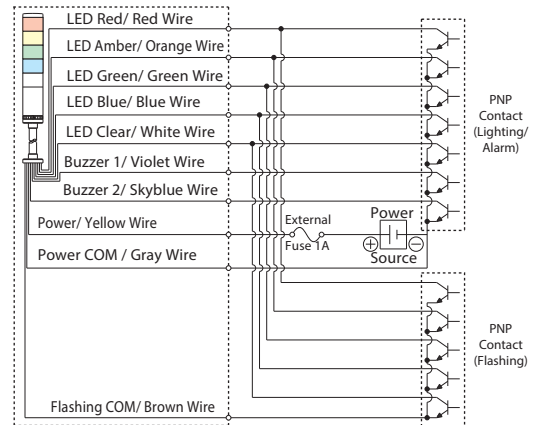
Rated Voltage	Signal Line Voltage	LED		Alarm	
		Signal Line Current R, Y	G, B, C	Signal Line Current	Inrush Current
DC 24V	DC 24V	50mA	20mA	40mA	250mA
AC 100V	DC 24V				
AC 120V					
AC 200V					
AC 220V					
AC 230V					

Lead-wire color coordination table

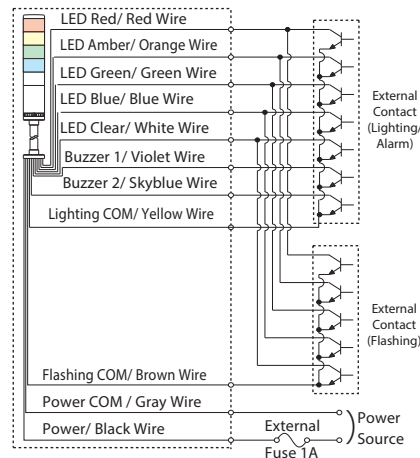
LED Unit Color	Lead Wire Color
Red	Red
Amber	Orange
Green	Green
Blue	Blue
Clear/White	White

Alarm Sounds	Lead Wire Color
Buzzer 1	Purple
Buzzer 2	Skyblue

• DC 24V NPN FB Type



• AC Power NPN FB Type





# LHE-A

LHE-A

## Signal Tower



LED

**2** Alarm Sounds (FB Type)

**90dB** at 1m (FB Type)

**IP65** (FB Type:IP54)

**Ø70**

**NPN/PNP**  
Open-collector



Adjustable Volume  
(Max. 85dB at 1m)



## The Signal Tower with a water resistant design for wet environments.



Dual Reflection System

PATLITE's original dual reflection system with its exclusive hybrid prism-cut lens and 5 color LED modules creates a bright, distinctive and even illumination.

### FEATURES

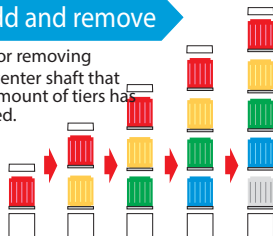
- Original LED reflection system to improve brightness and provide maintenance-free operation.
- Two built-in alarms (FB type)
- Adjustable volume of up to 90dB (at 1m).
- Direct mount installation is standard; pole-mount is available with the optional mounting pole.
- Interchangeable Modules need no re-wiring, even after installation.
- Lens is made of superior impact and heat resistant AS resin for superior durability and light transmission.
- Available colors are in Red, Amber, Green, Blue, and Clear/White.
- Has the CE mark and conforms to the requirements for the EC directive. (for 24V type)
- Is a UL Recognized Component (File No. E215660, for 24V type only).

## How to Order

<b>LHE-502AFB-RYGBC</b>			
Tiers	Rated Voltage	Type	Color
1~5	02: AC/DC 24V 10: AC 100V 12: AC 120V 20: AC 220V	Blank: Continuous light FB: Flashing/ Alarm	R: Red Y: Amber G: Green B: Blue C: Clear/White (Top to bottom)

### Easy to add and remove

- When adding or removing modules, the center shaft that matches the amount of tiers has to be purchased.



### Interchangeable LED Modules

Changeable color sequence: Easy to add/remove up to 5 colored modules even after installation.

Note: LED modules of the same color within a signal tower will light up simultaneously.

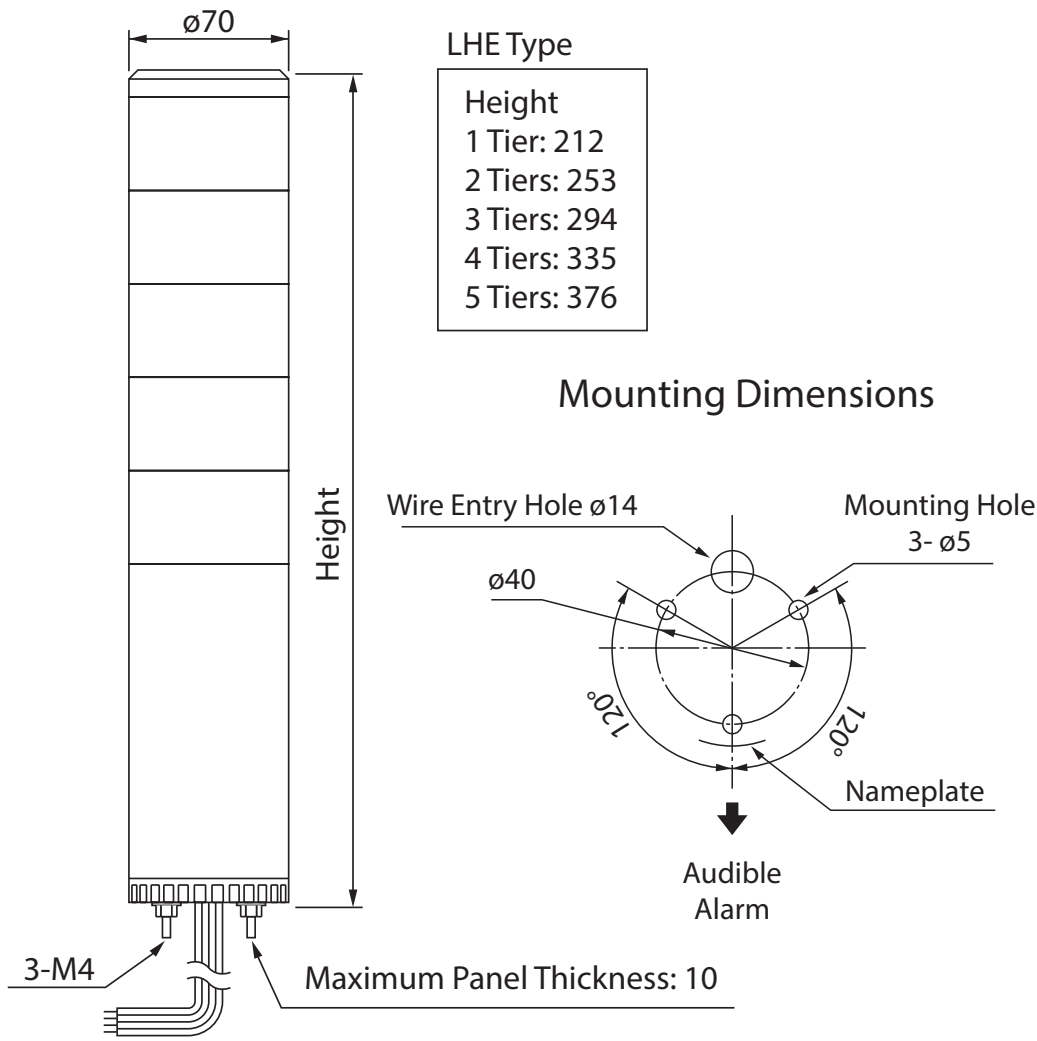


### Wiring doesn't change

- The LED Module colors correspond to the wiring, so re-wiring is not necessary.

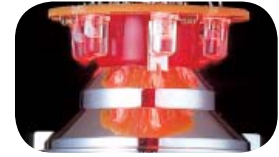
Dimensions

"Super Bright" LED provides the Highest level of visibility.



LHE Type

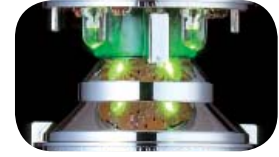
Height
1 Tier: 212
2 Tiers: 253
3 Tiers: 294
4 Tiers: 335
5 Tiers: 376



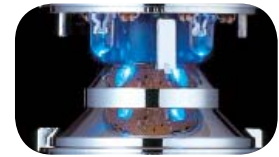
RED



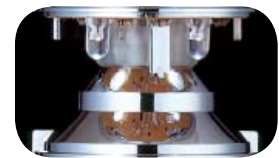
AMBER



GREEN



BLUE



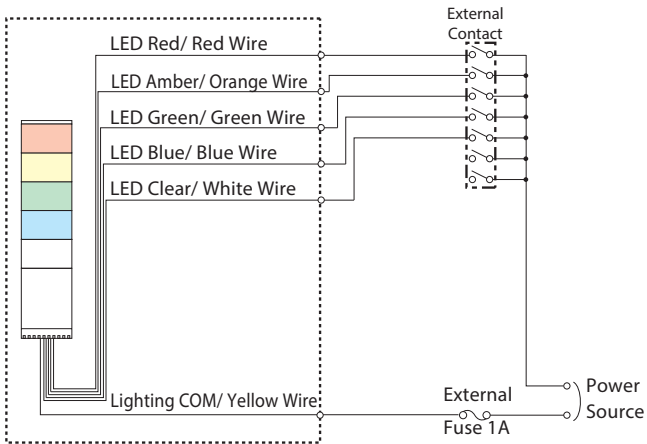
CLEAR/WHITE

(Unit: mm)

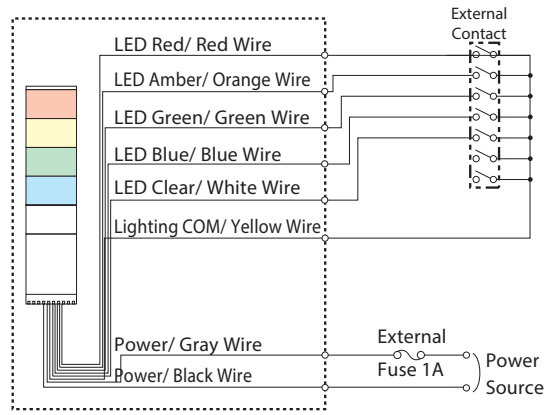
Specifications

Stack Number	Model	Rated Voltage	Power Consumption	Mass
1 Tier	LHE -102A/AFB	AC/DC 24V	2.2W	400g
	LHE -110A/AFB	AC 100V	4.7W	650g
	LHE -112A/AFB	AC 120V		
	LHE -120A/AFB	AC 220V		
2 Tiers	LHE -202A/AFB	AC/DC 24V	3.4W	450g
	LHE -210A/AFB	AC 100V	6.4W	700g
	LHE -212A/AFB	AC 120V		
	LHE -220A/AFB	AC 220V		
3 Tiers	LHE -302A/AFB	AC/DC 24V	4.4W	500g
	LHE -310A/AFB	AC 100V	7.9W	750g
	LHE -312A/AFB	AC 120V		
	LHE -320A/AFB	AC 220V		
4 Tiers	LHE -402A/AFB	AC/DC 24V	5.4W	550g
	LHE -410A/AFB	AC 100V	9.4W	800g
	LHE -412A/AFB	AC 120V		
	LHE -420A/AFB	AC 220V		
5 Tiers	LHE -502A/AFB	AC/DC 24V	6.4W	600g
	LHE -510A/AFB	AC 100V	10.9W	850g
	LHE -512A/AFB	AC 120V		
	LHE -520A/AFB	AC 220V		

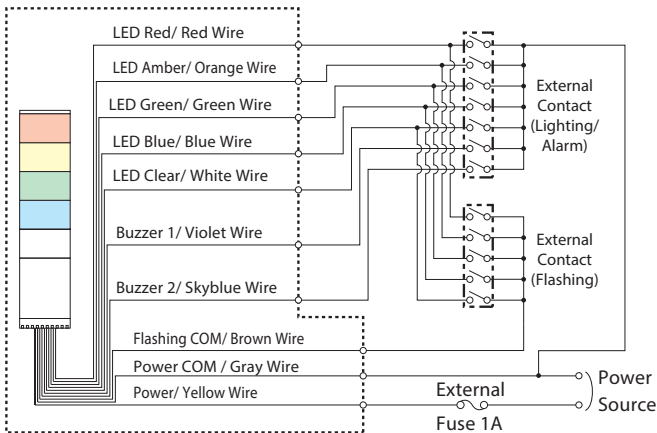
• AC/DC 24V Lighting Type



• AC Power Lighting Type



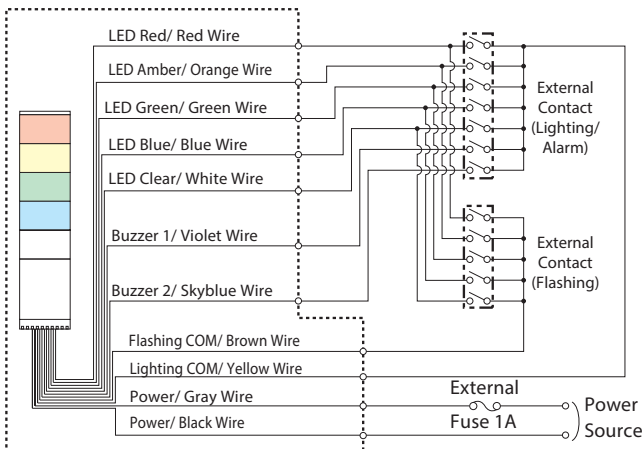
• AC/DC 24V Lighting/Flashing Type



Signal Line voltage and current per LED Module

Rated Voltage	Signal Line Voltage	LED		Alarm	
		Signal Line Current R, Y	G, C, B	Signal Line Current	Inrush Current
AC/DC 24V	AC/DC 24V	50mA	40mA	40mA	150mA
AC 100V	DC 24V	50mA	40mA		
AC 120V					
AC 220V					

• AC Power Lighting/Flashing Type



Lead-wire color coordination table

LED Unit Color	Lead Wire Color
Red	Red
Amber	Orange
Green	Green
Blue	Blue
Clear/White	White

Alarm Sounds	Lead Wire Color
Buzzer 1	Purple
Buzzer 2	Skyblue

# LU7

## Signal Tower



- LED**
- 2 Alarm Sounds** (FB Type)
- 90dB at 1m** (FB Type)
- IP65**
- Ø70**
- NPN/PNP Open-collector**



## Versatile modular Signal Tower featuring easy assembly and wiring designed for every need.

### FEATURES

- PATLITE's exclusive hybrid prism-cut lens designed for enhanced visibility from any direction and distance.
- Two built-in alarms (FB type)
- Adjustable volume of up to 90dB (at 1m).
- Direct mount installation is standard; pole-mount is available with the optional mounting pole.
- Color-coordinated Terminal block corresponding to the lens colors for quick wiring and verification.
- Interchangeable LED Modules requires no re-wiring, even after installation.
- Lens is made of superior impact and heat resistant polycarbonate resin for superior durability and light transmission.
- Available Module Colors are in Red, Amber, Green, Blue, and Clear/White.
- Available Base colors are in Black, Silver and Ivory White.
- Conforms to the CE requirements (for 24V type).
- Is a UL Recognized Component (File No. E215660).
- Product Shipped in a modular style for customer's customized assembly.



### How to Order

<b>LED Module</b> <b>LU7-E-R</b>		<b>Base Unit</b> <b>LU7-02SUFB</b>	
Model	Color	Model	Type
Unit	R: Red	Rated Voltage	Blank: Continuous light
E : LED Unit	Y: Amber	02: DC 24V	FB: Flashing/ Alarm
EX: Strobe Unit	G: Green	M2: AC 100 - 240V	Base Color
	B: Blue	Body Size	Blank: Ivory White
	C: White/Clear	Blank: Standard	U : Silver
		S : Short	K : Black

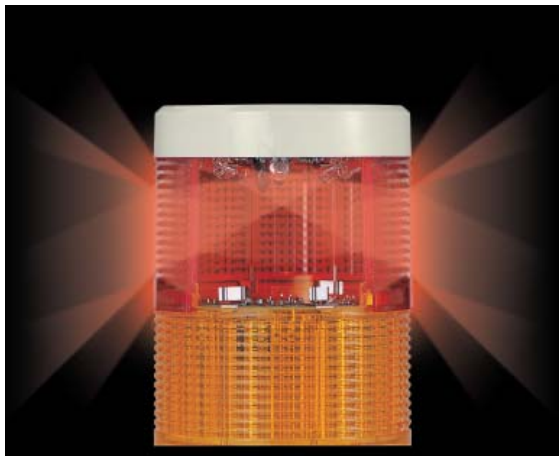
# THE LU7 Series Advantage

70mm diameter

## Innovative LED Modular Style Signal Tower

### Ultra-bright LEDs combined with an Innovative prism-cut lens design

With the innovative prism-cut lens, a small diameter can emit enough light to be seen from great distances while reducing costs of the Signal Tower.



Ultra-bright LED

### Two selectable alarms integrated in the Base Module

Adding sound to a visual signal enhances the critical nature of the status, bringing more attention to certain conditions while still allowing up to five LED modules to be used because the alarms are built into the base.



### Delivers Sound of up to 90 dB (at 1m)

Alarm can be easily heard over ambient noises.

### Modular Design

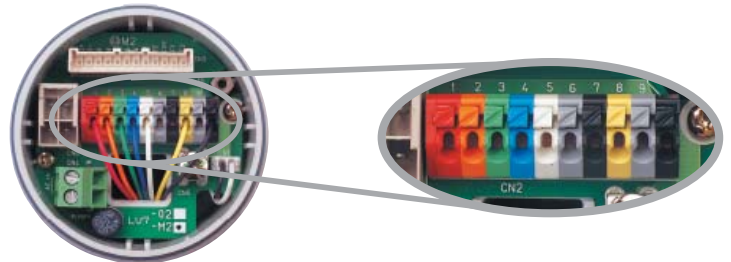
With a modular design, freely configuring and assembling a Signal Tower is easy and the modules can be put away for when the machine has to be shipped to reduce shipping costs and shipping crate material.



Modular Construction

### Color-coded & spring-loaded Terminal Block

Easier wiring and more reliable in comparison to screw-type connections with each terminal block color corresponding to the LED module color.



Wiring Terminals

### O-rings

The O-rings seal the tower from liquids so that an IP-65 rating can be achieved to allow the tower to be used in wet environments.



IP65 Protection

### IP65 & IP66 with Optional Cable Gland







The new LU7 is designed to add a cable gland so that a rating of IP-65 can be achieved to be used in harsher environments. (Cable Gland is to be supplied by the user.)



# Specifications (Base)

LU7

## LU7 Base Units

Model	LU7-02S	LU7-02	LU7-02FB	LU7-02M2	LU7-02M2FB	Unit Color Variation			
Rated Voltage	DC 24V			AC 100 to 240V (50/60Hz)		Short Body			
Operating Voltage Range	DC 21.6 - 26.4V			AC 90 to 250V (50/60Hz)		Ivory White	Silver	Black	
Alarm	—	Buzzer 1*	Buzzer 2**	—	Buzzer 1*	Buzzer 2**			
Current Consumption	—	50±10mA	24±10mA	—	50±10mA	24±10mA			
Power Consumption	—	1.2±0.25W	0.58±0.25W	—	1.8±0.25W	1.3±0.25W	LU7-02S	LU7-02SU	LU7-02SK
Sound Level	—	Max: 90±5dB (at 1m) Min: 70dB or less (at 1m)		—	Max: 90±5dB (at 1m) Min: 70dB or less (at 1m)		Standard Body		
Flash Cycle	—	60±12 flashes per minute		—	60±12 flashes per minute				
Operating Temperature Range	-30°C to +60°C			-25°C to +55°C					
Mounting Direction	Upright, Indoor Only								
Protection Rating	IP65 (IP66 with Cable Gland***)								
Mass (±10%)	150g	250g	280g	310g	340g				
Open Collector	PNP/NPN			NPN					
	LU7-02/M2		LU7-02U/M2U		LU7-02K/M2K				

\*Buzzer 1: Continuous \*\*Buzzer 2: Intermittent \*\*\*Cable Gland to be supplied by user

# Specifications (Module)

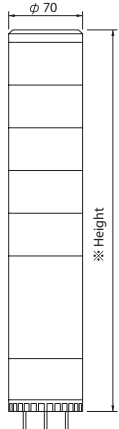
## LU7 LED Units\*

Model	LU7-E-R	LU7-E-Y	LU7-E-G	LU7-E-B	LU7-E-C
Unit /LED Color	LED Unit Red	LED Unit Amber	LED Unit Green	LED Unit Blue	LED Unit White/Clear
Rated Voltage	DC 24V				
Operating Voltage Range	DC 21.6 - 26.4V				
Current/Power Consumption	52mA/1.25W		42mA/1.0W		
Operating Temperature Range	-30°C to +60°C				
Mass (±10%)	60g				

\*Operates on LU7-02, LU7-02FB, LU7-M2 and LU7-M2FB Base Units

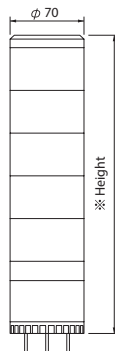
# Dimensions

LU7  
Standard Body



Height
1 Tier : 211
2 Tiers : 252
3 Tiers : 293
4 Tiers : 334
5 Tiers : 375

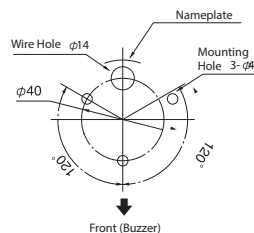
LU7-02S  
Short Body



Height
1 Tier : 118
2 Tiers : 159
3 Tiers : 200
4 Tiers : 241
5 Tiers : 282

(Unit: mm)

## Mounting Dimensions



# Wiring

## External Contact Capacity

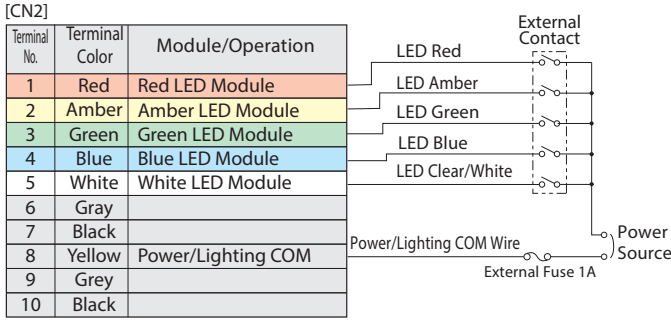
Specifications		DC 24V	AC 100 - 240V
LED Unit (1 Unit)	Current Consumption	Red,Amber: 52mA	Green,Blue,White/Clear: 42mA
	Contact Capacity	Is≥100mA, Vs≥AC 35V	
Alarm	Current Consumption	50mA	
	Inrush Current	100mA	
	Contact Capacity	Is≥100mA, Vs≥AC 35V	
Power Supply	Current Consumption	360mA	40mA (250VAC) - 110mA (90VAC)
	Contact Capacity	Is≥500mA Vs≥AC 35V	9A (90V) - 25A (250V) Vs≥AC 250V

## External Contact Fuse

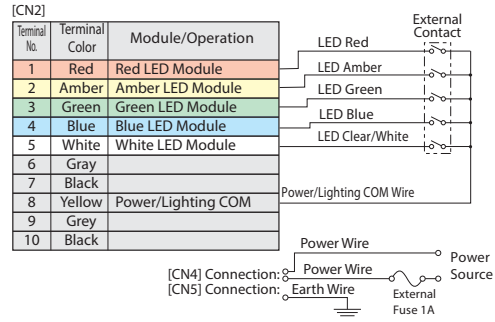
Voltage	Fuse Amperage Rating
All Models	250V, 1A



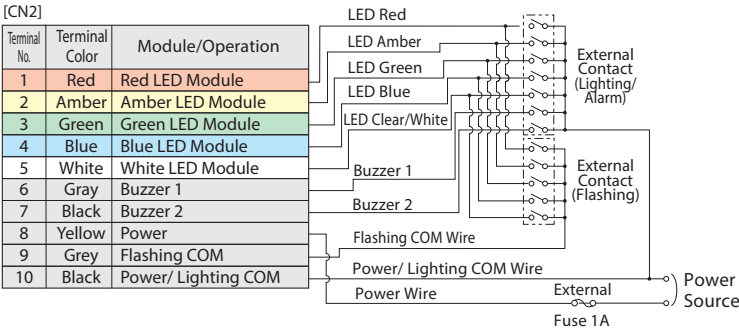
• AC/DC 24V Lighting Type



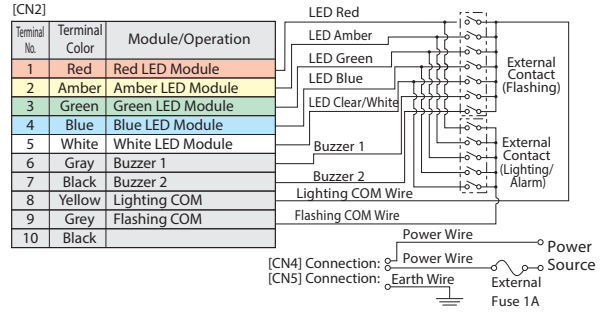
• AC Power Lighting Type



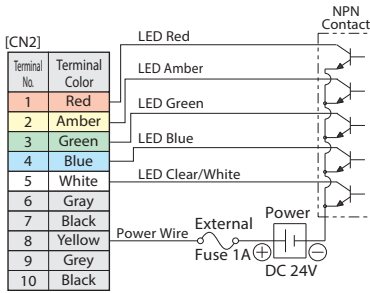
• AC/DC 24V Lighting/Flashing Type



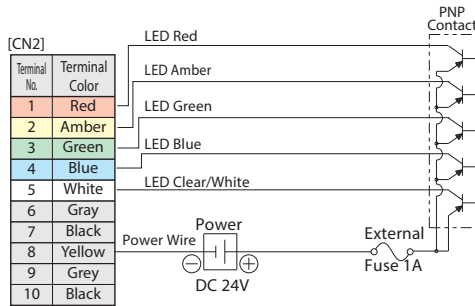
• AC Power Lighting/Flashing Type



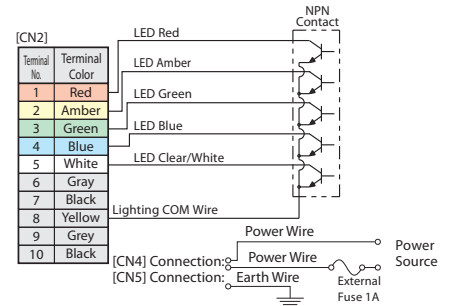
• DC 24V NPN Type



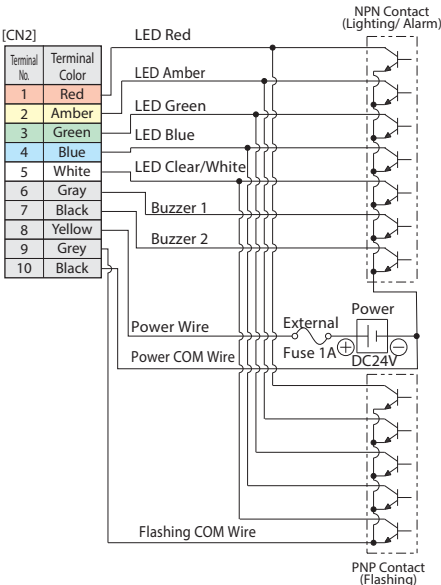
• DC 24V PNP Type



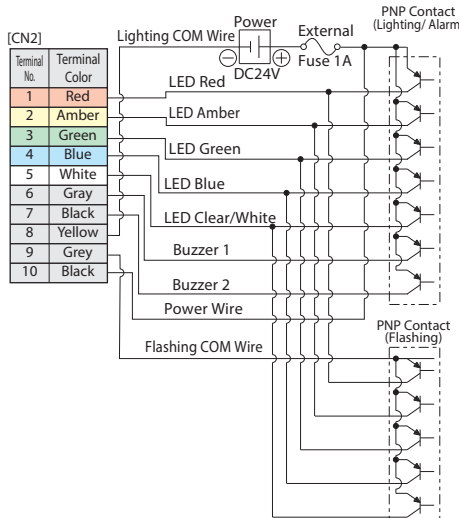
• AC Power NPN Type



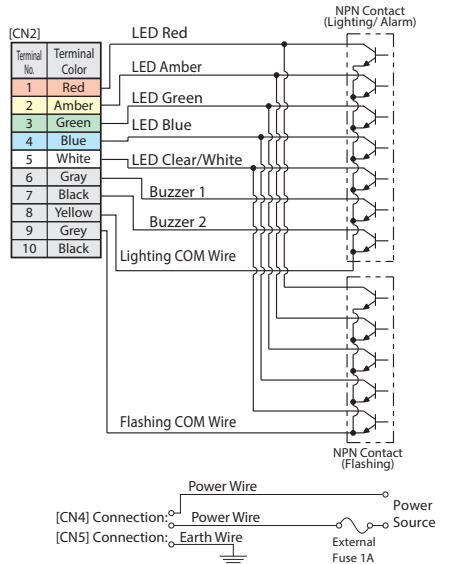
• DC 24V NPN FB Type

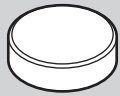


• DC 24V PNP FB Type

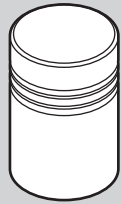


• AC Power NPN FB Type

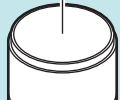




### Voice and Sound Module



Model	LU7-V1
Type	Voice Synthesizer
Rated Voltage	DC 24V
Power Consumption	3.5W
Mass (±10%)	170g



### LED Units



Model	LU7-E-R	LU7-E-Y	LU7-E-G	LU7-E-B	LU7-E-C
Unit Color					
Rated Voltage	DC 24V				
Operating Voltage Range	DC 21.6 ~ 26.4V				
Current/Power Consumption	52mA/1.25W		42mA/1.0W		
Operating Temperature Range	-30°C ~ +60°C				
Mass (±10%)	60g				

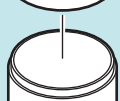


### LED Strobe Module

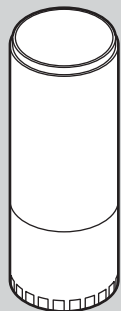


Model	LU7-XE-R	LU7-XE-Y	LU7-XE-G	LU7-XE-B	LU7-XE-C
Unit Color					
Rated Voltage	DC 24V				
Power Consumption	290mA	290mA	140mA	270mA	280mA
Mass (±10%)	70g				

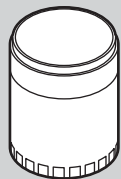
RED   AMBER   GREEN   BLUE   CLEAR/WHITE



### BASE Units



Standard Body



Short Body

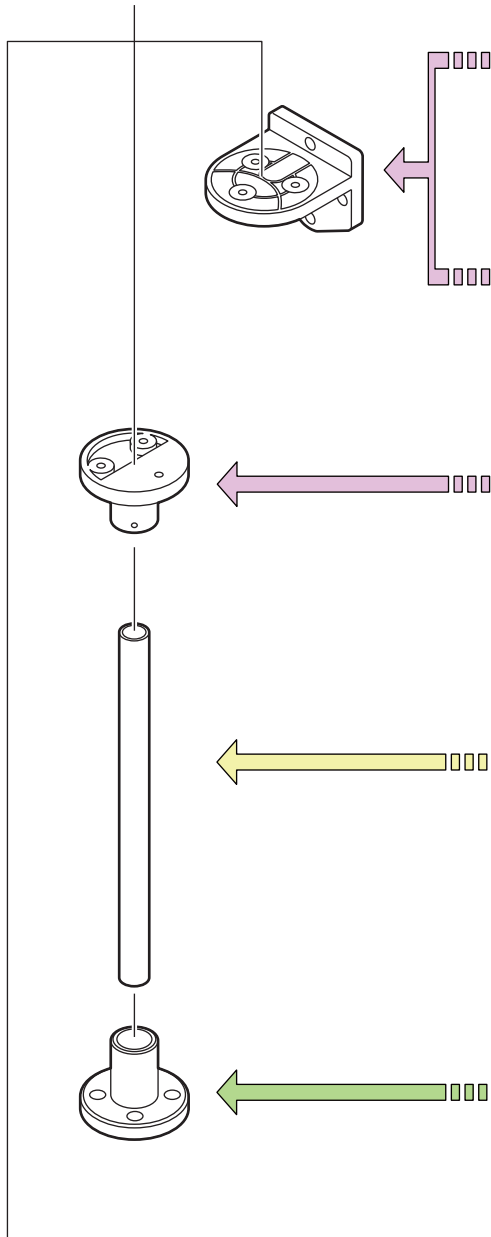
Model	LU7-02S	LU7-02	LU7-02FB	LU7-M2	LU7-M2FB
Color					
Standard Body/Short Body	Short	Standard		Standard	
Rated Voltage	DC 24V			AC 100~240V (50/60Hz)	
Operating Voltage Range	DC 21.6 ~ 26.4V			AC 90~250V (50/60Hz)	
Alarm	-	*Buzzer 1 : *Buzzer 2		-	*Buzzer 1 : Buzzer 2
Current Consumption	-	50±10mA ; 24±10mA		-	50±10mA ; 24±10mA
Power Consumption	-	1.2±0.25W ; 0.58±0.25W		-	1.8±0.25W ; 1.3±0.25W
Sound Level	-	Max:90±5dB (at 1m) Min:70dB or Less (at 1m)		-	Max:90±5dB (at 1m) Min:70dB or Less (at 1m)
Flashing Cycle	-	60±12 flashes per minute		-	60±12 flashes per minute
Operating Temperature Range	-30°C ~ +60°C			-25°C ~ +55°C	
Mounting Direction	Upright, Indoor only			Upright, Indoor only	
Protection Rating	IP65 (IP66 with Cable Gland supplied by user)				
Mass (±10%)	150g	250g	280g	310g	340g
Open Collector Type	PNP/NPN			NPN	

\* Buzzer 1 : Continuous Sound   \*\*Buzzer 2 : Intermittent Sound

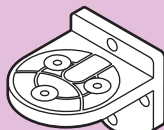
Ivory White   Silver Color ( U )   Black ( K )

Optional Parts

Optional Parts

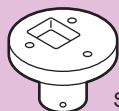


Wall Mount Bracket



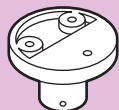
<b>Model</b>	SZ-018	SZ-018U	SZ-018K
<b>Color</b>	Ivory White	Silver ( U )	Black ( K )

Upper Bracket



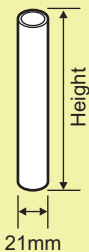
SZ-50NPT(For 1/2" NPT Pole)

Upper Bracket



<b>Model</b>	SZ-50-U	SZ-50U-U	SZ-50K-U
<b>Color</b>	Ivory White	Silver (U)	Black (K)

Pole



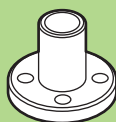
Steel Pole

<b>Model</b>	POLE-800S21	POLE-300S21	POLE-100S21
<b>Height</b>	800mm	300mm	100mm

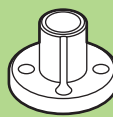
Aluminum Pole

<b>Model</b>	POLE-800A21	POLE-300A21	POLE-100A21
<b>Height</b>	800mm	300mm	100mm

Mounting Bracket



SZ-016A  
(For  $\phi 21.7\text{mm}$  Pole)



SZ-70-B  
(For  $\phi 21.7\text{mm}$  Aluminium Pole Only)

Wall Mount Bracket

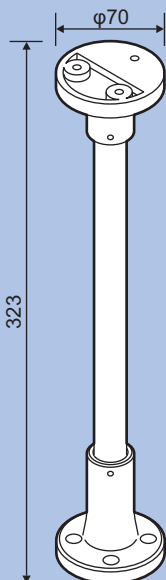


SZ-020  
(For  $\phi 21.7\text{mm}$  Pole)

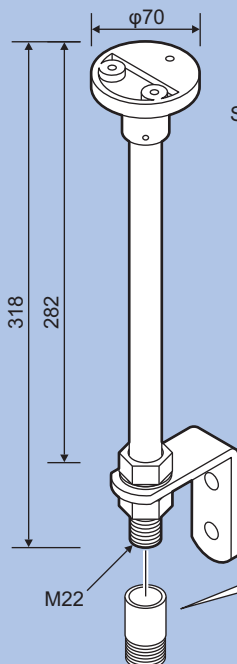


SZ-017  
(For  $\phi 21.7\text{mm}$  Pole)

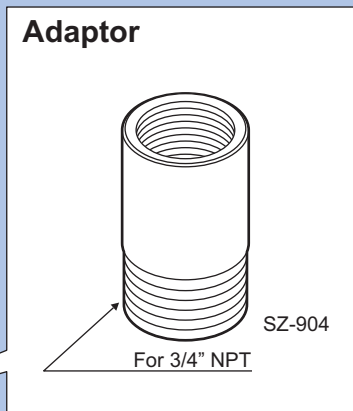
Pre-assembled



SZ-50T



SZ-50L



Adaptor

SZ-904

For 3/4" NPT

# LU7-XE

Signal Tower



**LED**

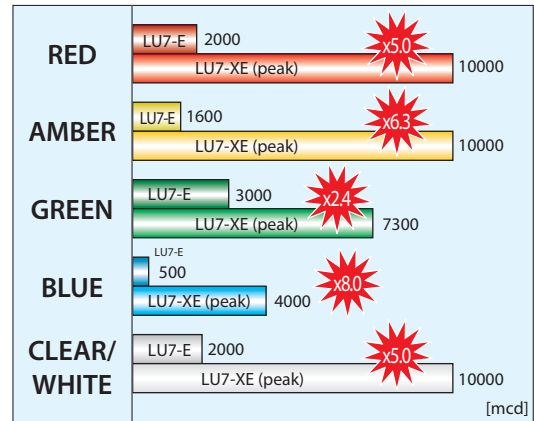
**Ø70**

## Stackable LED strobe module saves energy and requires low maintenance.

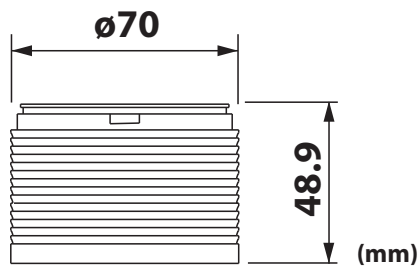
### FEATURES

- Application\* can be used with the LU7 Series Signal Tower.
  - A visually stunning double-flash light pattern for immediate attention.
  - Incorporates super-bright LED technology for enhanced visibility.
  - Easily stackable and interchangeable, before or after installation.
  - Has the CE mark and conforms to the requirements for the EC directive.
  - Is UL Listed (File No. E215660) for use with LU7-02 and LU7-02FB.
- (1) For use with LU7-02, LU7-02S, and LU7-02FB bases only.  
 Note: When using with LU7-02FB, the module should be controlled by the continuous common wire.

### Brightness Comparison



### Dimensions



### Specifications

LU7 LED Strobe Units\*\*

Model	LU7-XE-R	LU7-XE-Y	LU7-XE-G	LU7-XE-B	LU7-XE-C
Unit Color	LED Unit Red	LED Unit Amber	LED Unit Green	LED Unit Blue	LED Unit Clear/White
Rated Voltage	DC 24V				
Current Consumption	290mA	140mA	270mA	280mA	
Mass (±10%)	70g				

\*\*Operates with LU7-02, LU7-02S, and LU7-02FB bases only. When using with LU7-02FB, the module should be controlled by the continuous common wire.



# LS7

## Signal Tower



LED



2 Alarm Sounds (FB Type)

90dB at 1m (FB Type)

IP65 (B Type:IP54)

Ø70

NPN/PNP  
Open-collector



Off-white Color Body without Buzzer

Black Color Body without Buzzer

Silver Color Body without Buzzer

Off-white Color Body with Buzzer

Black Color Body with Buzzer

Silver Color Body with Buzzer

**New concept!**  
**Smart & smooth signal light body which improves harmony with equipment.**

### How to Order

LED Signal Tower **LS7-** ① 02 ② ③ ④ W ⑤ - ⑥

① No. of Lighting Units    ② Body Color    ③ Lighting    ④ Alarm    ⑤ Wiring    ⑥ LED Color

3:3 Tiers    5:5 Tiers    Blank: Off-white    Blank: Illumination Only    Blank: No Alarm    C: M12 Connector    R: Red  
D: Dark Gray    B: Illumination/Flashing    B: Alarm    H: Lead Wires\*    Y: Amber  
S: Silver    C: Clear/White    N: Blank

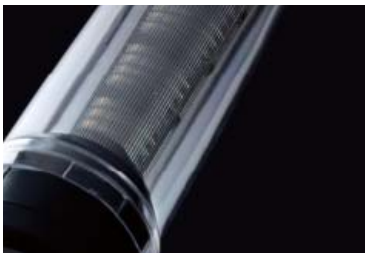
Ex.: LS7-302WC-RYGNN    Body Color: Off-white    Lighting: Illumination    Alarm: None    Wiring: M12 Connector    LED Colors: Red, Amber, Green, (Blank), (Blank)

\* F type models come with two alarms and are only available with Lead Wire and requires an 'FBWH' part no.  
\* C type models (M12 Connector type) are only available with a continuous sound alarm.

### Specifications

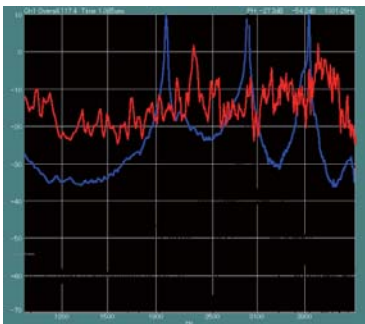
Model	Number of Lighting Units	Body Color	Rated Voltage	Mounting	Rated Current Consumption	Maximum Rated Current	Maximum Sound Pressure	Operating Temperature Range	Protection Rating	Mass: Lead-wire Type (H)		Mass: M12 Connector Type (C)	
										Illumination (No Mark)	Illumination/Flash/ 2 Alarms (FB)	Illumination (No Mark)	1 Alarm (B)
LS7-302	3 Tiers	Off-white (Blank)	DC 24V (±10%)	Direct (Indoors Only)	Red: 20mA	Red: 35mA	Buzzer1 ab. 82dB Lead-wire Type (Intermittent Beep1) M12 Connector Type (Continuous Beep)	-30°Cto+60°C (Less than 85% RH)	Illumination Type: IP65* Buzzer Type: IP54	280g ±10%	370g ±10%	260g ±10%	320g ±10%
		Dark Grey (D)			Amber, Green, Blue, Clear/White 30mA	Amber, Green, Blue, Clear/White 40mA	Buzzer2 ab. 85dB Lead-wire Type (Intermittent Beep2) M12 Connector Type (None)						
LS7-502	5 Tiers	Silver (S)			Alarm 40mA	Alarm 55mA							

\* IP67 available by special order



**A smooth-surfaced body without any metal exposed**

By changing the surface of the body into a smoother form, the adhesion of water and dust is reduced. Also, the structure does not have screws, shafts, etc., exposed, which gives comfort for applications in the lithium ion battery manufacturing and food processing industries. And, with the outer lens structure, the risk of environmental stress cracks due to oil mist is reduced. The lens cover is made of shock-resistant polycarbonate.



**A sound heard throughout various environments**

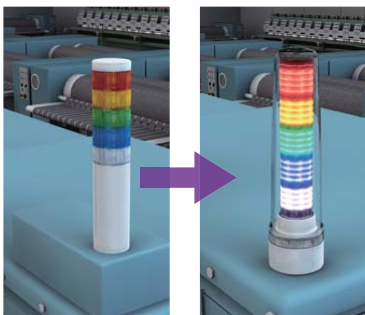
In addition to the existing lead wire, M12 connector quick disconnect is also available. Moreover, when moving to carry and to go out of the device, it is possible to detach it easily with the M12 connector.

Speaker Horn (Alarm Type)



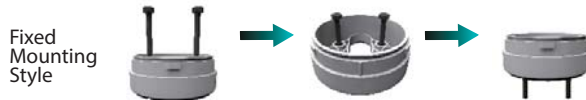
Frequency graph of a metal-working shop sound mixed with buzzer2 alarm. (Inter-corporate Measurement)

\* Buzzer1 (H type or C type) is measured at 2000Hz.



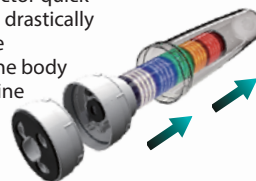
**Easy attachment, no need for Relay Box**

In addition to the conventional three-bolt installation, a two-bolt installation from the upper mount has been added to help make a smoother installation. Therefore, by using the mount as a relay box, it reduces the manufacturing cost for an extra relay box, which used to be a necessity up until now.



**M12 Connector Wiring & Tiered Construction**

The stackable design and M12 connector quick disconnect (Cable Sold Separate) can drastically reduce labor and time. Moreover, the disconnection and reconnection of the body when removing it to relocate a machine has become smoother.



Stackable Construction



**High-contrast Visibility**

With the adoption of an inner lens, the LED emits a more efficient light. Moreover, the contrast is increased when the Signal Tower lights up or flashes, with a distinguishable signal color which remarkably improves visibility.

**Remarkable display in ANY environment**

The LS7 has passed various tests for water resistance, dust, temperature, and variable vibration frequency tests, etc., so that it can endure various environments.

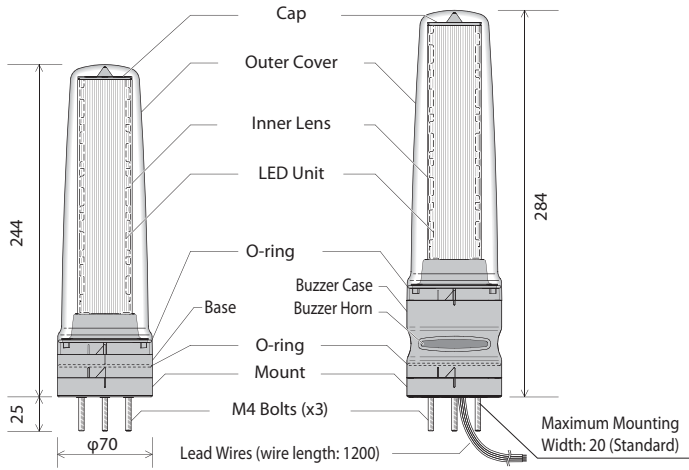


**All-plastic Bracket**

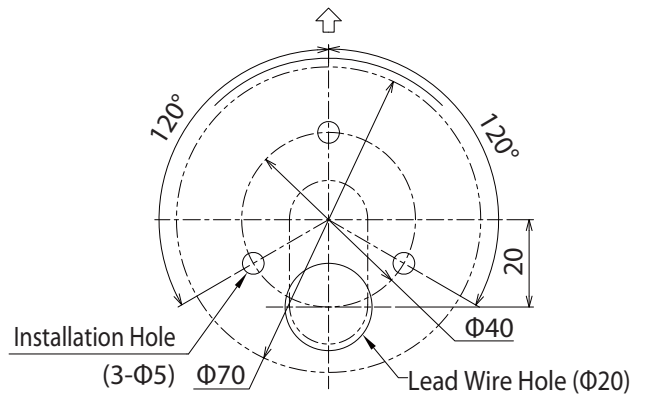
Like the body, the smooth-shaped platform bracket won't collect water or dust. Since no metal parts like screws and shafts are exposed, worries of food tampering can be put to rest in the food process lines.



## Dimensions



### Product Front (Buzzer Horn Direction)



## Optional Parts

Like the body, the smooth-shaped platform bracket won't collect water or dust. Since no metal parts like screws and shafts are exposed, worries of food contamination can be put to rest in food processing.

### Platform Bracket SZ-100



### Wall Mounting Bracket SZ-110

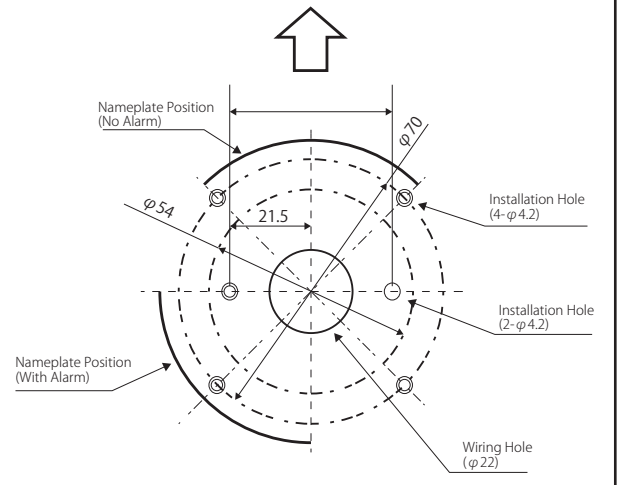


### Multi-mount Bracket SZ-130



### Multi-mount Bracket SZ-130 Installation Dimensions

#### Front (Audible Alarm Opening)



### M12 Connector & Cable

(Manufactured by the OMRON Corp.)

SZ-120-02 Cable Length 2m (XS2F-D821-DH0-R)

SZ-120-05 Cable Length 5m (XS2F-D821-GH0-R)

SZ-120-10 Cable Length 10m (XS2F-D821-JH0-R)

\* Only for connecting to the LS7.

## Replacement Parts



Outer Cover for LS7\*

Material: Polycarbonate



O-ring for LS7

Material: Silicone



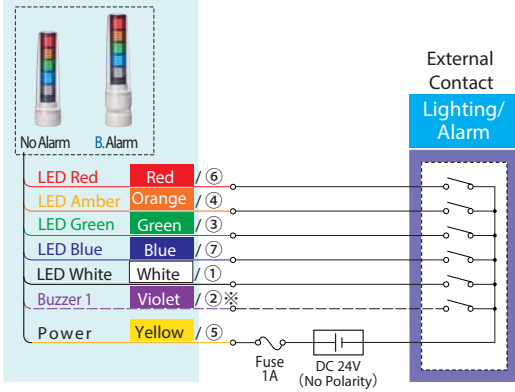
Mount Cover for LS7  
(Accessory)

Material: Silicone

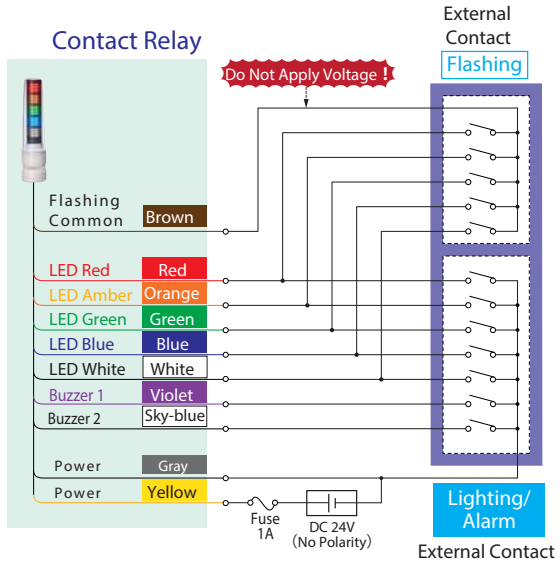




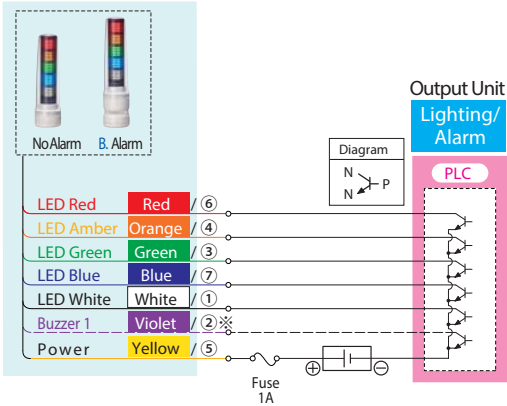
## Contact Relay



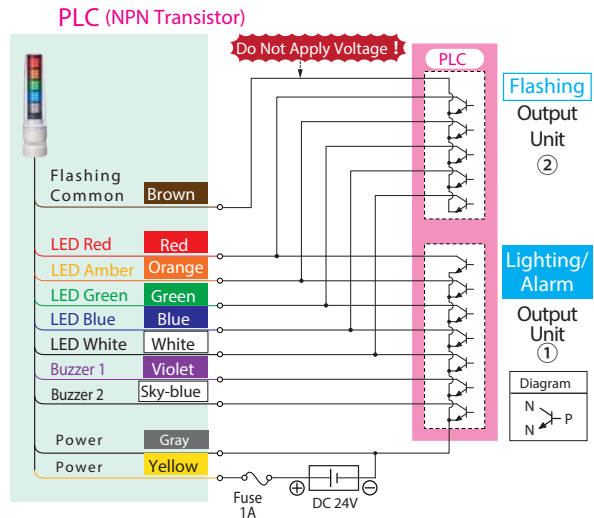
## Contact Relay



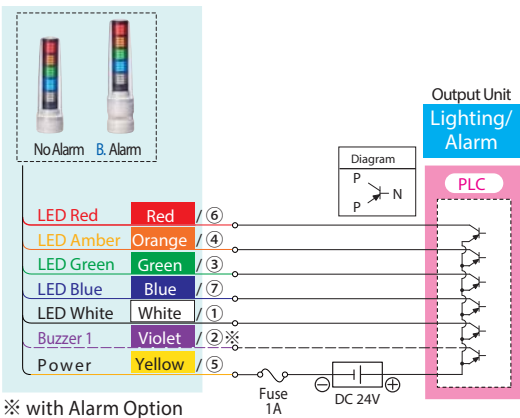
## PLC (NPN Transistor)



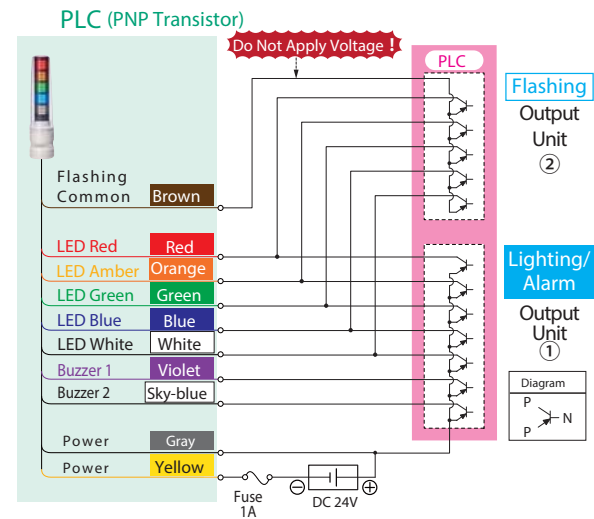
## PLC (NPN Transistor)



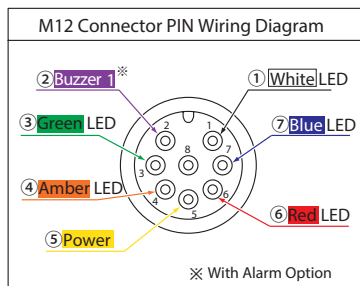
## PLC (PNP Transistor)



## PLC (PNP Transistor)



※ with Alarm Option



Note: When connecting the PLC outputs for illumination and flashing functions, the wiring (Common Wires) has to be separate between the flashing and non-flashing circuits.

# WE/WEP

## Signal Tower



LED



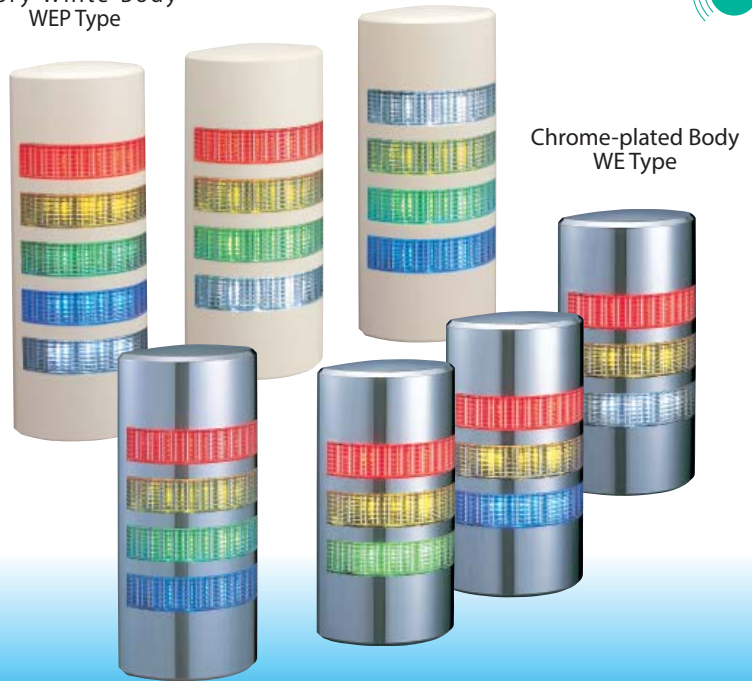
2 Alarm Sounds (FB Type)

90dB at 1m (FB Type)

IP65 (FB Type: IP54)

NPN/PNP  
Open-collector

Ivory White Body  
WEP Type



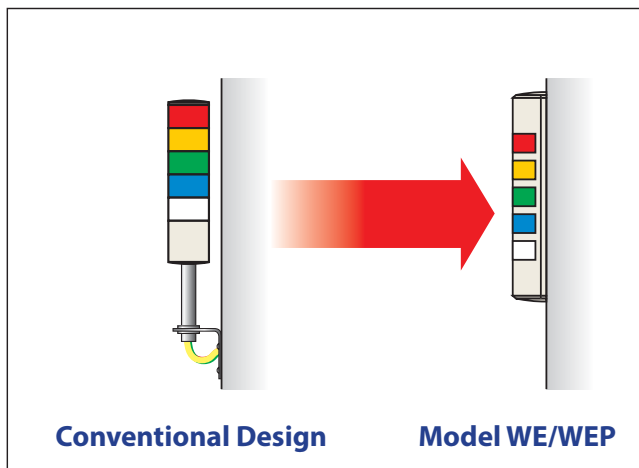
Chrome-plated Body  
WE Type

## Ultra slim half-moon shaped Signal Tower offers seamless integration with most equipment.

### FEATURES

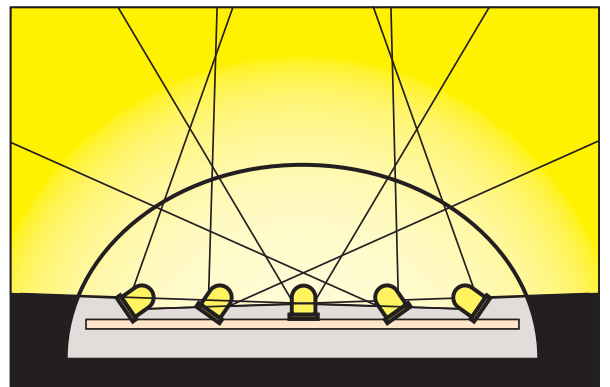
- Clear vertical-cut lens for enhanced illumination over a wide perspective.
- Has an optional built-in audible alarm (FB type) with an output of 90dB (at 1m).
- Installation can be vertical or horizontal.
- Two body color selections of chrome plated or ivory white.
- Lens made of superior impact and heat resistant polycarbonate resin for superior durability and enhanced illumination.
- Both NPN and PNP Compatible for direct connection to a PLC (24V DC ONLY)
- Two lighting patterns of flashing and continuous lighting.
- Dust and water resistance rating of IP65 (except for FB type: IP54).
- Available colors are in Red, Amber, Green, Blue, and Clear/White.
- Has the CE mark and conforms to the requirements for the EC directive.
- Is a UL Recognized Component (File No. E215660).

### 37.5mm Super-thin Design!



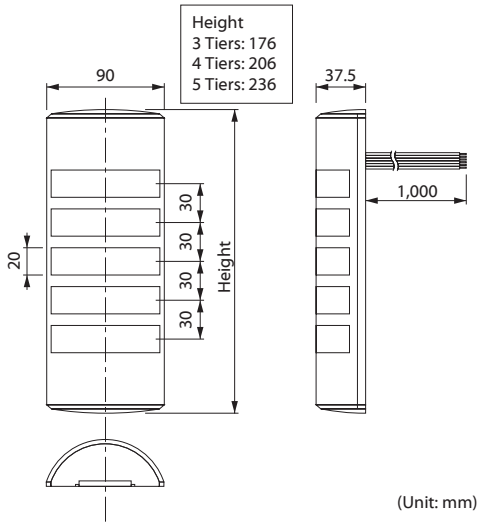
Patlite has perfected a 37.5mm-thin design that significantly enhances integration with the equipment as a built-in signal system.

### Exclusively New LED Lighting Design

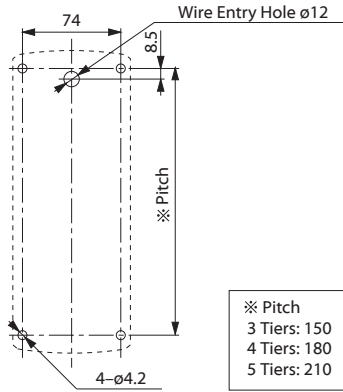


Patlite has created a revolutionary patented lighting design in which multiple LEDs project light across a broad peripheral area, ensuring equal intensity at the sides as well as the front. This design, with its side-projection technology, is a unique achievement in signal light design.

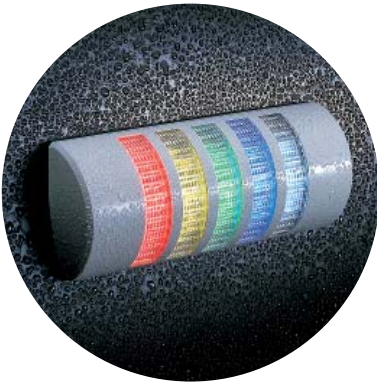
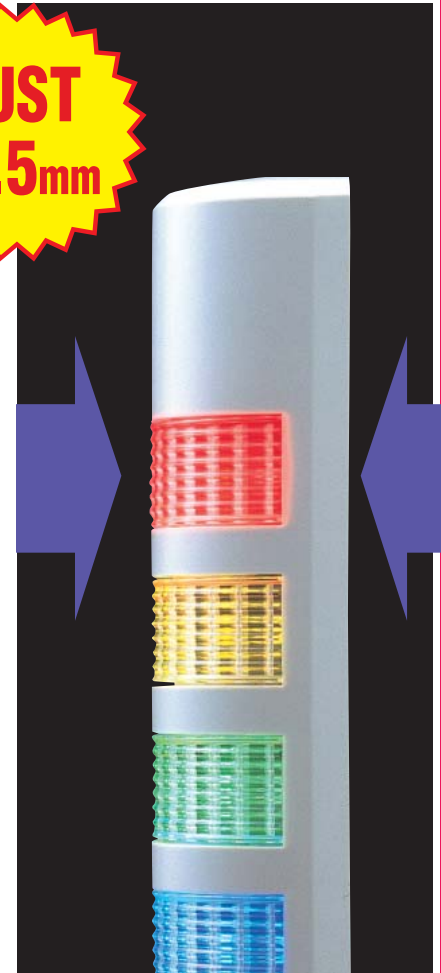
# Dimensions



## Mounting Dimensions

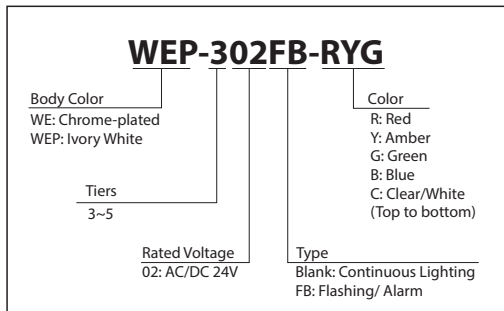


**JUST 37.5mm**



**IP65 construction is safe for installation in damp locations and dusty factory environments.**

# How to Order



# Specifications

Stack Number	Model	Rated Voltage	Power Consumption	Mass
3 Tiers	WE(P)-302	AC/DC 24V	1.7W	260g
	WE(P)-302FB		2.7W	300g
4 Tiers	WE(P)-402		2.0W	310g
	WE(P)-402FB		3.2W	350g
5 Tiers	WE(P)-502		2.7W	310g
	WE(P)-502FB		3.7W	350g

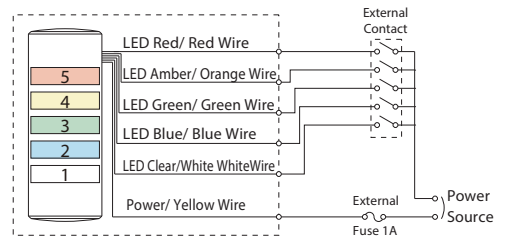
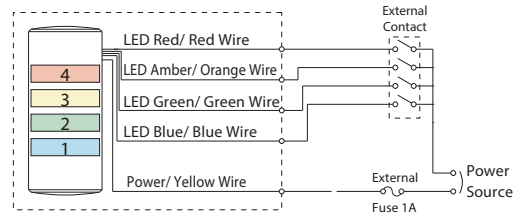
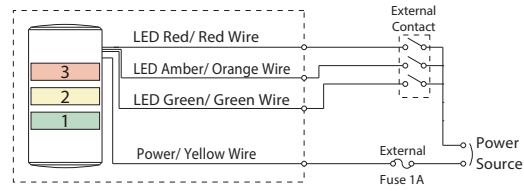
Alarm Sounds	Lead Wire Color
Buzzer 1	Purple
Buzzer 2	Skyblue

## Signal Line voltage and current per LED Module

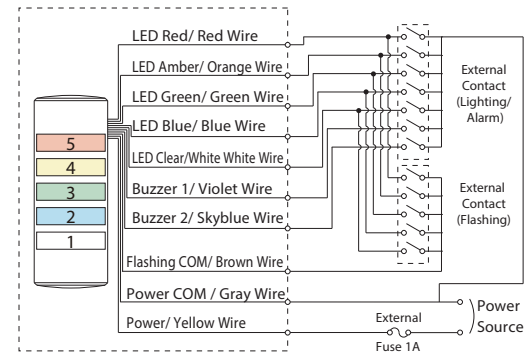
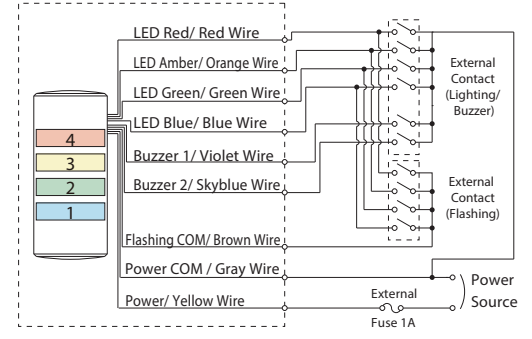
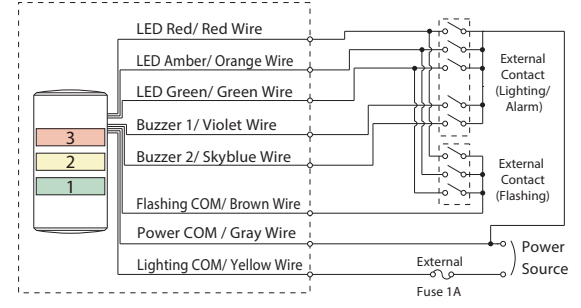
Model	Rated Voltage	Signal Line Voltage	LED		Alarm	
			Signal Line Current		Signal Line Current	Inrush Current
			R, Y	G, B, C		
WE/WEP	AC/DC 24V	AC/DC 24V	30mA	25mA	40mA	250mA

# Wiring

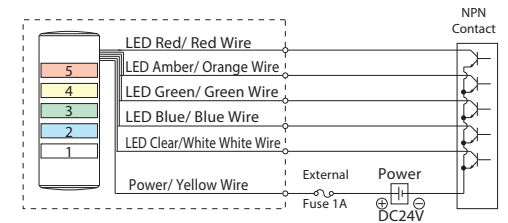
## • AC/DC 24V Lighting Type



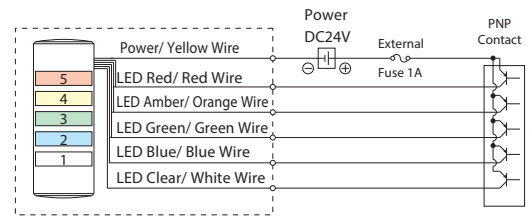
## • AC/DC 24V Lighting/Flashing Type



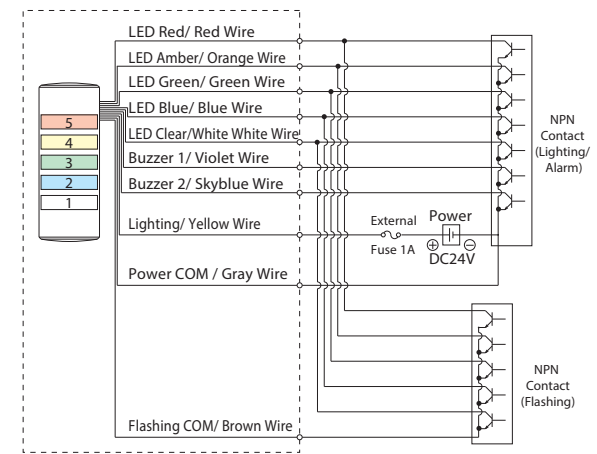
## • DC 24V NPN Type



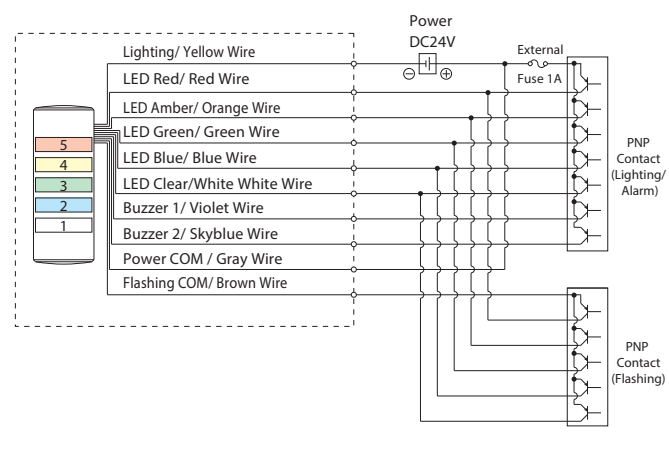
## • DC 24V PNP Type



## • DC 24V NPN FB Type



## • DC 24V PNP FB Type





# WME-A

WME-A

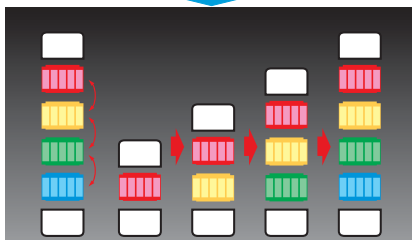
## Signal Tower



- LED
- 2 Alarm Sounds (FB Type)
- 90dB at 1m
- IP65 (FB Type:IP54)
- W70 D80
- NPN/PNP Open-collector

## Exclusive wall-mount design saves space and enhances its integral appearance.

### Interchangeable LED Modules



LED Tiers are changeable, even after installation. However, the Center Shaft also has to be purchased.

#### FEATURES

- Built-in audible alarm (FB type)
- Volume output of up to 90dB (at 1m).
- Easy vertical or horizontal installation when used with mounting brackets.
- Interchangeable Modules need no re-wiring, even after installation.
- Install as an option with a compatible household switch box (JISC 8336 with 82.5m pitch).
- Main body is made of ABS resin.
- Lens is made with superior impact and heat resistant polycarbonate resin for superior durability and illumination.
- Compatible for use with NPN or PNP controlled inputs (24V DC type ONLY).
- Available Colors are in Red, Amber, Green, Blue, and Clear/White.
- Has the CE mark and conforms to the requirements for the EC directive.
- Is a UL Recognized Component (File No. E215660).

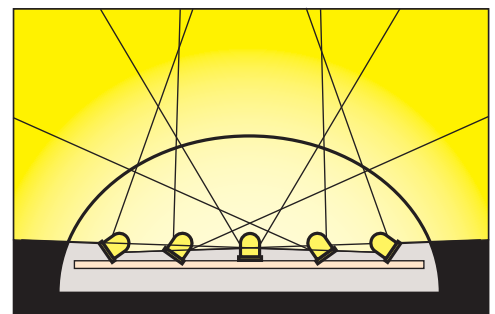
#### AVAILABLE BY SPECIAL ORDER

- 1 Tier Type
- Individual module control for single color

### 5 "Super Bright" LED Colors to choose from!

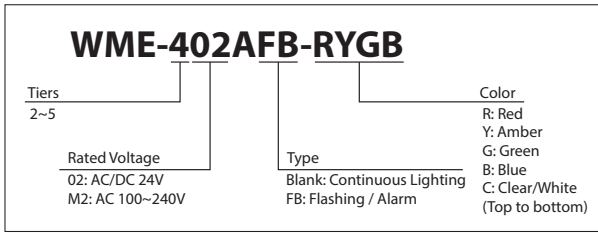
Red      Amber      Green      Blue      Clear/White

### Exclusively New LED Lighting Design



Patlite has created a revolutionary patented lighting design in which multiple LEDs project light across a broad peripheral area, ensuring equal intensity at the sides as well as the front. This design, with its side-projection technology, is a unique achievement in signal light design.

## How to Order



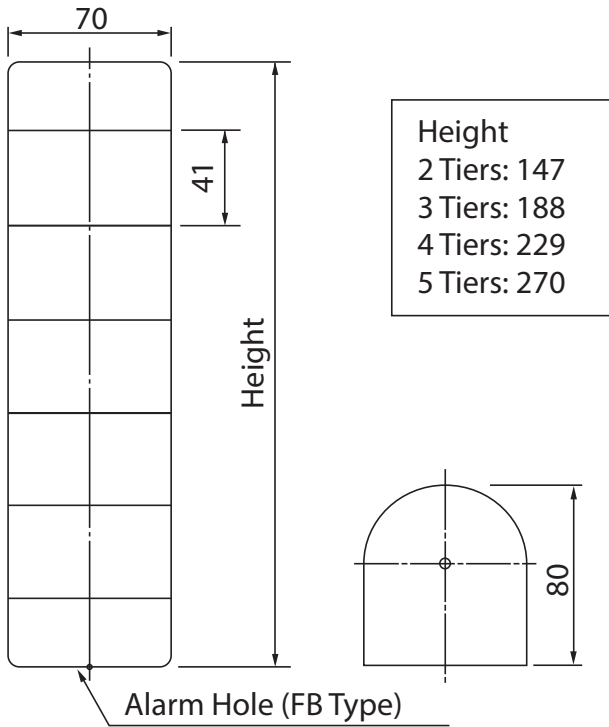
## Specifications

Stack Number	Model	Rated Voltage	Power Consumption	Mass
2 Tiers	WME-202	AC/DC 24V	2.7W	390g
	WME-2M2A	AC 100 - 240V	4.6W	460g
3 Tiers	WME-302	AC/DC 24V	3.3W	470g
	WME-3M2A	AC 100 - 240V	6.0W	540kg
4 Tiers	WME-402	AC/DC 24V	4.4W	550g
	WME-4M2A	AC 100 - 240V	8.0W	620g
5 Tiers	WME-502	AC/DC 24V	5.5W	630g
	WME-5M2A	AC 100 - 240V	10.0W	700g

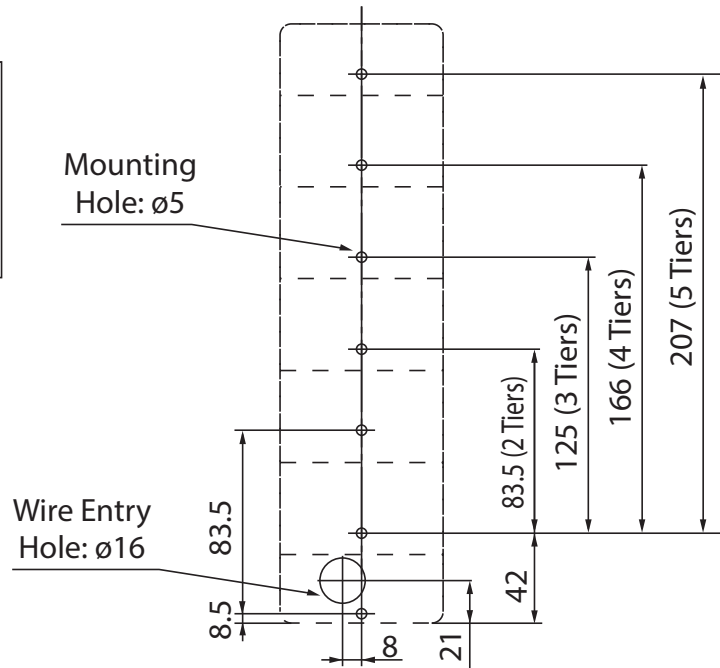
Signal Line voltage and current per LED Module

Model	Rated Voltage	Signal Line Voltage	LED		Alarm	
			Signal Line Current		Signal Line Current	Inrush Current
			R, Y	G, B, C		
WME-A	AC/DC 24V	AC/DC 24V	35mA	50mA	40mA	250mA
	AC 100V - 240V	DC 24V				

## Dimensions



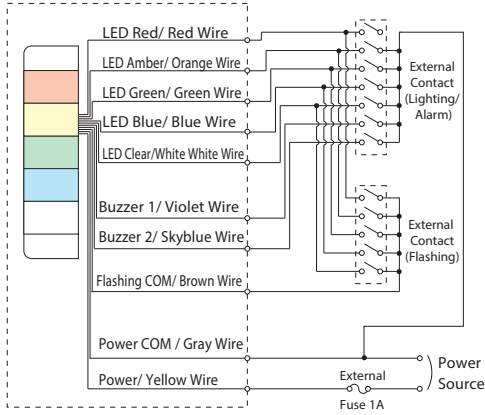
## Mounting Dimensions



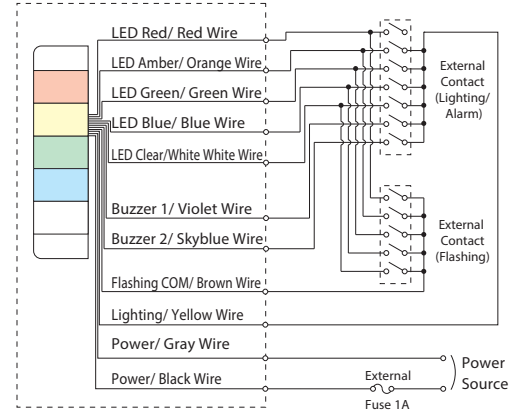
(Unit: mm)

- The LED Colors are stackable, even after installation. However, the applicable Center Shaft and backplate needs to be purchased.
- Install with the alarm in the downward direction in order to preserve the IP54 rating.

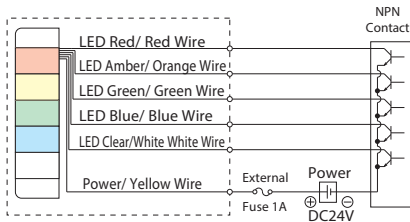
• AC/DC 24V Lighting/Flashing Type



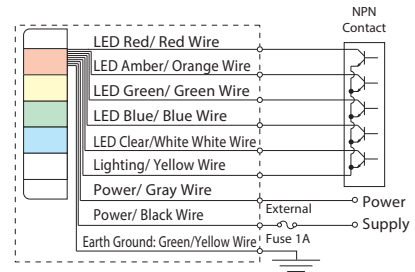
• AC Power Lighting/Flashing Type



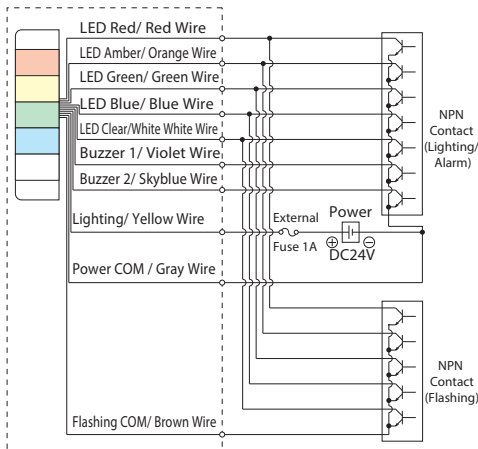
• DC 24V NPN Type



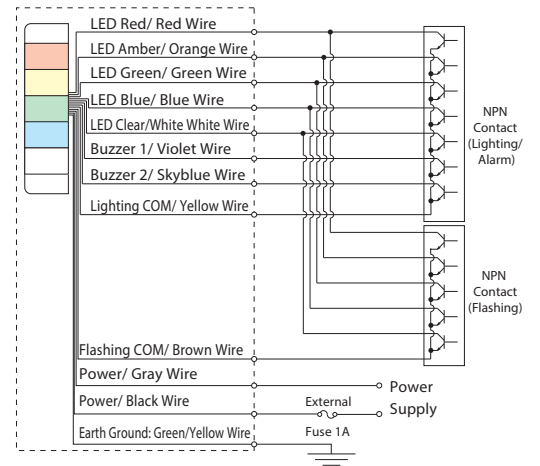
• AC Power NPN Type



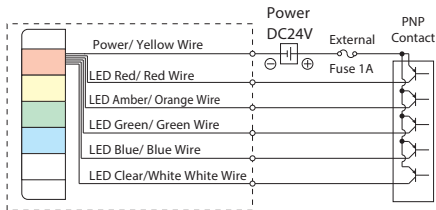
• DC 24V NPN FB Type



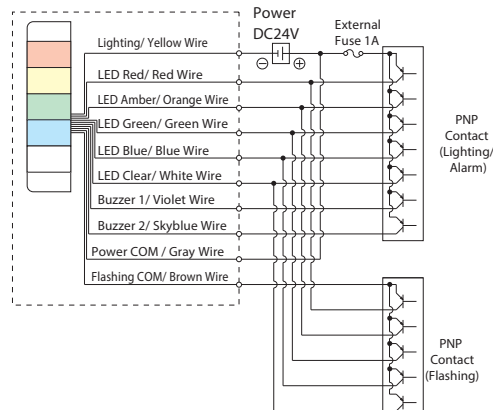
• AC Power NPN FB Type



• DC 24V PNP Type



• DC 24V PNP FB Type





LED



1 Alarm Sound (FB Type)

85dB at 1m

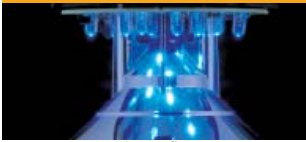
IP54

Ø100

NPN/PNP  
Open-collector

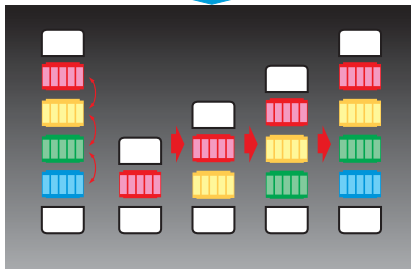
## Large Signal Tower featuring enhanced visibility and downward illumination, designed for large machines.

Triple Reflection System



PATLITE's triple-reflection system creates an even brighter and distinctive illumination with its exclusive hybrid prism-cut lens for 5 color LED module variations.

### Interchangeable LED Modules



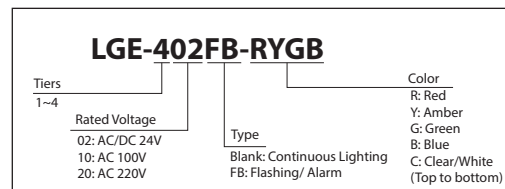
LED Tiers are changeable, even after installation.

Note: Shafts that match the number of tiers also has to be purchased.

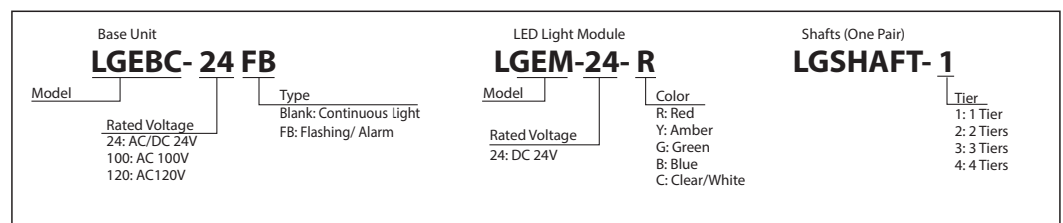
### FEATURES

- PATLITE's large prism cut lens to enhance illumination in the downward direction. (Lens Size: φ100mm x 60mm high)
- The FB type offers a flashing and continuous lighting pattern.
- A built-in buzzer (FB type) has a sound of up to 85dB (at 1m).
- Direct mount Installation.
- Interchangeable Modules need no re-wiring, even after installation.
- Lens is made of superior impact and heat resistant polycarbonate resin for superior durability and illumination.
- Both NPN and PNP compatible for the DC24V type; NPN compatible with the AC 100/220V type only.
- Available Colors are in Red, Amber, Green, Blue, and Clear/White.
- Has the CE mark and conforms to the requirements for the EC directive. (for 24V type)

### How to Order (Pre-assembled)



### How to Order (Module)





## 5 "Super Bright" LED Colors to choose from!

Red

Amber

Green

Blue

Clear/White

### Specifications (Pre-assembled)

(No Alarm)

Light System	Model	Rated Voltage	Power Consumption	Mass
1 Tier	LGE-102	AC/DC 24V	2.0W	0.4kg
	LGE-110	AC 100V	5.2W	1.0kg
	LGE-120	AC 220V		
2 Tiers	LGE-202	AC/DC 24V	4.0W	0.6kg
	LGE-210	AC 100V	7.7W	1.2kg
	LGE-220	AC 220V		
3 Tiers	LGE-302	AC/DC 24V	6.0W	0.8kg
	LGE-310	AC 100V	10.2W	1.4kg
	LGE-320	AC 220V		
4 Tiers	LGE-402	AC/DC 24V	8.0W	0.9kg
	LGE-410	AC 100V	12.7W	1.5kg
	LGE-420	AC 220V		

Alarm Type (Intermittent Rate: ab. 60 beeps per min)

Light System	Model	Rated Voltage	Power Consumption	Mass
1 Tier	LGE-102FB	AC/DC 24V	2.5W	0.4kg
	LGE-112FB	AC 100V	5.7W	1.0kg
	LGE-120FB	AC 220V		
2 Tiers	LGE-202FB	AC/DC 24V	4.5W	0.6kg
	LGE-212FB	AC 100V	8.2W	1.2kg
	LGE-220FB	AC 220V		
3 Tiers	LGE-302FB	AC/DC 24V	6.5W	0.8kg
	LGE-312FB	AC 100V	10.7W	1.4kg
	LGE-320FB	AC 220V		
4 Tiers	LGE-402FB	AC/DC 24V	8.5W	0.9kg
	LGE-412FB	AC 100V	13.2W	1.5kg
	LGE-420FB	AC 220V		

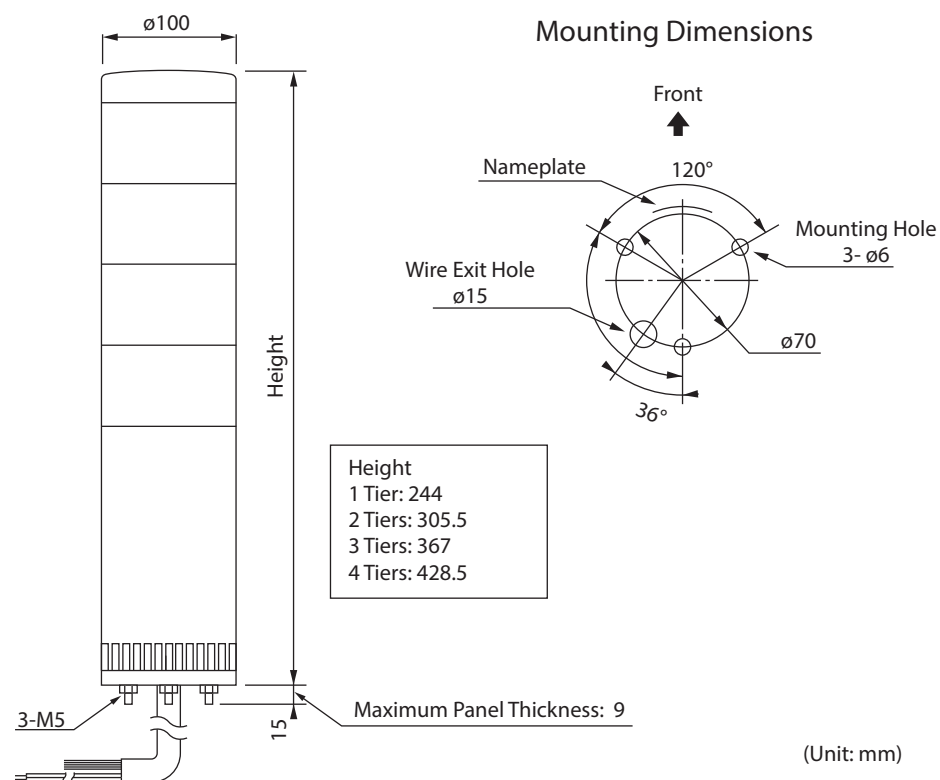
### Specifications (Modules)

Light Unit	Color	Rated Voltage	Power Consumption
LGEM24-R	RED	AC/DC 24V	2.0W
LGEM24-Y	AMBER		
LGEM24-G	GREEN		
LGEM24-B	BLUE		
LGEM24-C	CLEAR		

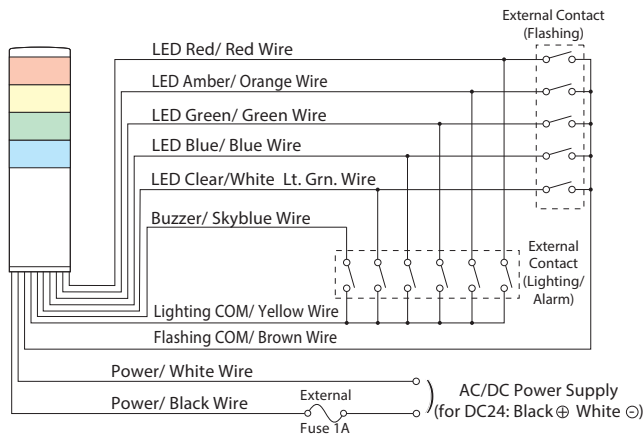
Power Unit	Rated Voltage	Operation
LGEBBC-120	AC 120V	Continuous
LGEBBC-24	AC/DC 24V	
LGEBBC-120FB	AC 120V	Continuous/ Flashing/Alarm
LGEBBC-24FB	AC/DC 24V	

Part No.	Light Units per Base
LGSHAFT-1	1
LGSHAFT-2	2
LGSHAFT-3	3
LGSHAFT-4	4

### Dimensions



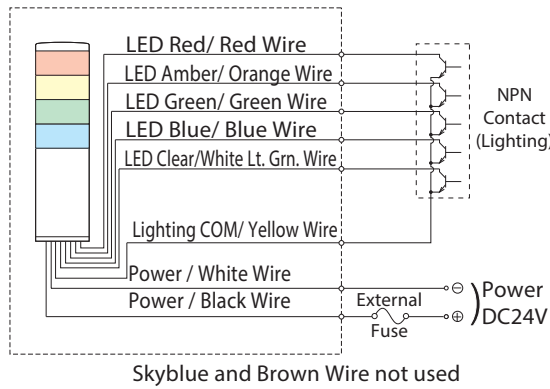
• AC/DC 24V Lighting/Flashing Type



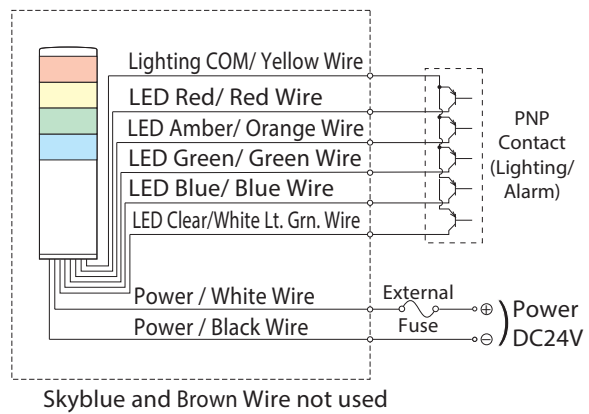
Signal Line voltage and current per LED Module

Model	Rated Voltage	Signal Line Voltage	LED	Alarm	
			Signal Line Current	Signal Line Current	Inrush Current
LGE-A	AC/DC 24V	AC/DC 24V	90mA	20mA	250mA
LGE-A	AC 100	DC 24V			
LGE-A	AC 220V				

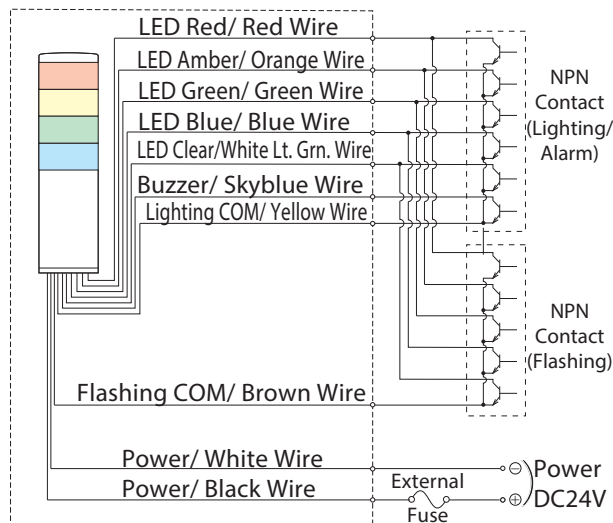
• DC 24V NPN Type



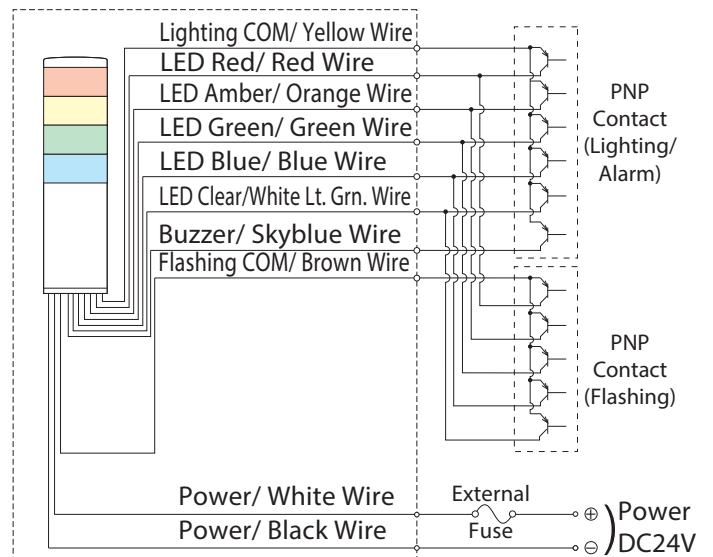
• DC 24V PNP Type



• DC 24V NPN FB Type



• DC 24V PNP FB Type





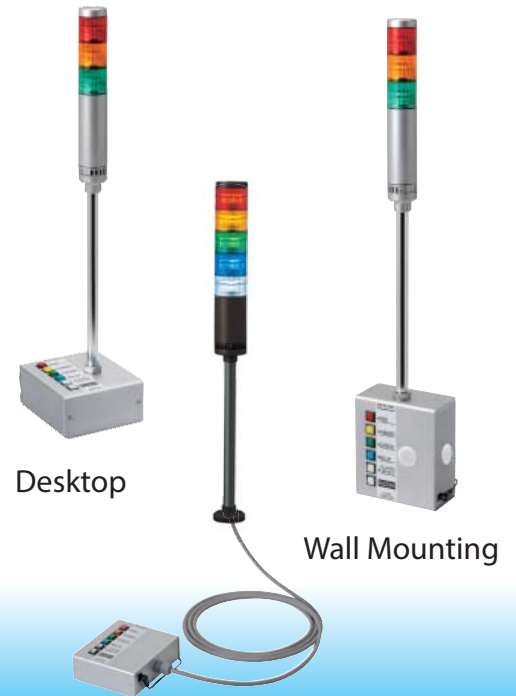
# WSST

## Manual Control Box

Terminal 



WSST Manual Control Box



Desktop

Wall Mounting

Signal Towers, Cables and poles sold separately

## PATLITE's WSST Control Box offers excellent all-in-one functionality to meet the growing needs of the manufacturing sector and beyond.

### APPLICATIONS

- Workstations and work cells
- Real-time line status indication for managers and line supervisors
- Lean manufacturing, safety and security applications
- Manual assembly operations
- Retail check-out stations
- Call centers

### FEATURES

- Universal manual control box for PATLITE LED Signal Towers.
- Sturdy metal construction with 6 color-coordinated push buttons.
- Recommended Signal Towers to choose from are ME; MES; LCE; LE; LES; LME-L; and SZ-60L & SZ-50L Pole Kits
- Install up to 5 Tiers (Red, Amber, Green, Blue and Clear/White).
- Add optional sound alarm or flash functionality (must purchase FB type Signal Towers).
- Various mounting methods include Wall or Desktop installations or as Remote. Recommended Signal Towers for Remote applications (10 ft. cable included) are the LCE-U (with "L" bracket) or LME-U (with flange-mount bracket) Signal Towers.
- Power Supply is included (WSST-KIT).

## How to Order

### WSST-KIT

#### Package Description

- KIT: Complete Kit includes
- Control Box
  - Cable Gland
  - 16mm Plug (1pc)
  - 22mm Plug (2 pcs)
  - Instruction Manual
  - Power Supply

CB: Complete Kit (excluding Power Supply)

PS: Power Supply Only

## Specifications

Rated Voltage	Operating Voltage	Operating Temperature Range	Mounting Location	Mass (±10%)
DC 24V (Non-polar)	DC 21.6 -26.4V	0°C- +40°C (RH less than 90%)	Indoor Only	1.11kg (Switch Box)

# HSST

## Manual Indicating Light



Complete HSST-312 Kit



Control Box



12 in.  
Mounting Pole  
& Bracket



LED

**The HSST includes a 3-tiered LED Signal Tower kit as a low- cost complete turn-key solution for manual assembly factories where lean manufacturing practices are dependent upon the overall operation efficiency.**

### APPLICATIONS

- Assembly workstations
- Safety and security applications
- Call centers
- Retail check stands
- Hospitals
- Airports

### FEATURES

- Complete kit includes a 50mm diameter red, amber, green 3-tier LED Signal Tower with 4-foot Cable, poles, three-button control box, AC power adaptor and mounting brackets that can fit onto standard cubicle partitions.
- AC power adaptor (UL Listed) rated at 120VAC with 6 ft. cable length is included to allow easy set-up in any location.
- LED light illumination offers maintenance-free operation.
- Optional Extention Cable (Part No. DT-HSST-10) available in 10 ft. segments.
- Mounting screws included with the three-button control box.
- Choice of 3 in. (80mm) or 12 in. (300mm) pole included in set.

## How to Order

### HSST-312

#### Package Description

- 312: Complete Kit including
- 3 button Control Box
  - Control Box mounting screws
  - 3 tiered Signal Tower (Red, Amber, Green)
  - AC 120V Power Adaptor
  - 4 ft. cable for Signal Tower
  - 3" Pole (80mm)
  - 12" Pole (300mm)
  - Pole Mounting Brackets
  - Instruction Manual

## Specifications

Model	Rated Voltage	Tiers	Power Supply
HSST-312	DC 24V	3 Tiers (R,Y,G)	AC120V / DC24V (Center Negative)



# Signal Lights



# NE-24

## LED Dome Signal Light



LED



IP65

Ø57

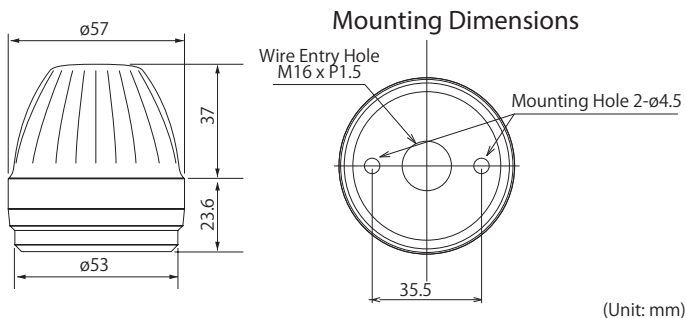
NPN/PNP  
Open-collector

## NE Series LED Dome Indicator Light; The dome-shaped globe provides increased visibility while the LEDs provide years of maintenance-free operation.

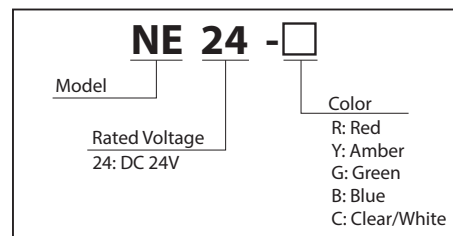
### FEATURES

- Enhanced illumination with the use of long-life, super bright LEDs.
- Low power consumption increases energy efficiency.
- High vibration-resistance and unnecessary bulb replacement makes it maintenance-free.
- Uses a terminal block for easy wiring.
- Applications are suitable for small tooling machines, control panels, etc.
- Available colors are in Red, Amber, Green, Blue, and Clear/White.
- Has the CE mark and conforms to the requirements for the EC directive.

### Dimensions



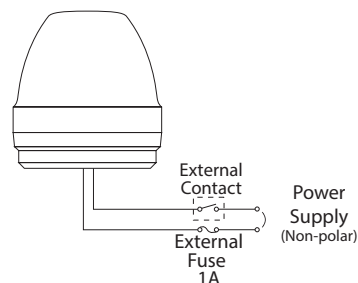
### How to Order



### Specifications

Model	Color	Rated Voltage	Power Consumption	Operating Temperature Range	Mass
NE-24-R	RED	DC 24V	0.63W	-30 C - +50 C	55g
NE-24-Y	AMBER				
NE-24-G	GREEN				
NE-24-B	BLUE				
NE-24-C	CLEAR/WHITE				

### Wiring





# KHE

## LED Multi-signal Light



Optional Rubber Gasket SZ-200A



LED Off with Clear Globe

- LED
- IP65 with SZ-200A
- Ø100
- NPN/PNP Open-collector

## KHE features three flashing patterns for diverse applications.

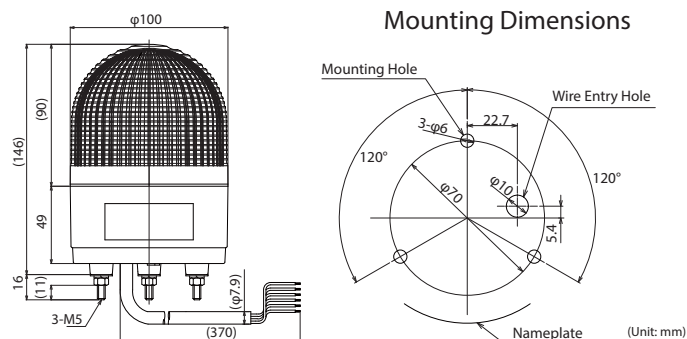
### FEATURES

- Super-bright long life LED's used for three signaling patterns that simulate rotation, strobe, and blinking.
- Enhanced illumination with the use of long-life, super bright LEDs.
- No motor or bulb replacement makes it Maintenance-free.
- Low power consumption increases energy efficiency.
- Indoor installation can be upright, inverted or sideways; Outdoors is for upright only.
- Available colors are in Red, Amber, Green, and Blue.
- Has the CE mark and conforms to the requirements for the EC directive.
- Is UL Listed (File No. E215660).

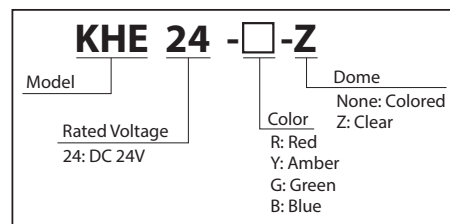
### AVAILABLE BY SPECIAL ORDER

- Body Color: Silver

## Dimensions



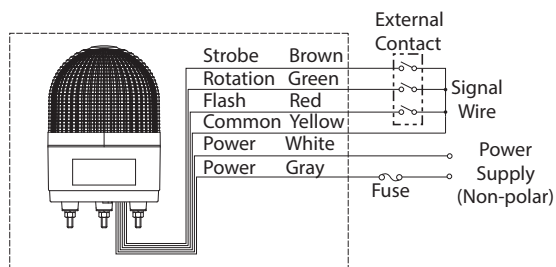
## How to Order



## Specifications

Model	Color	Rated Voltage	Power Consumption	Flash Patterns			Mass
				Flash	Rotation	Strobe	
KHE-24	RED	DC 24V	8.2W	55 ±10% fps	175 ±10% fps	75 ±10% fps (double-flash)	450g
	AMBER						
	GREEN						
	BLUE						
			10.1W				
			21.6W				

## Wiring





# PEW-A/PES-A

## Multi-speed Flashing Signal Light



LED



1 Alarm Sound (PEW-B)

85dB at 1m (PEW-B)

IP55\*

Ø82

NPN  
Open-collector



\* PEW-A: IP54 (IP23 with side-wire exit mounting)  
\* PES-A: IP55 with the optional rubber gasket SZ-210 (IP23 without SZ-210).

## Dome shape LED Signal Light featuring enhanced visibility and maintenance-free operation.

### FEATURES

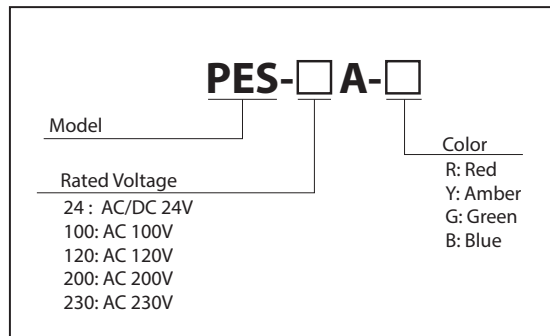
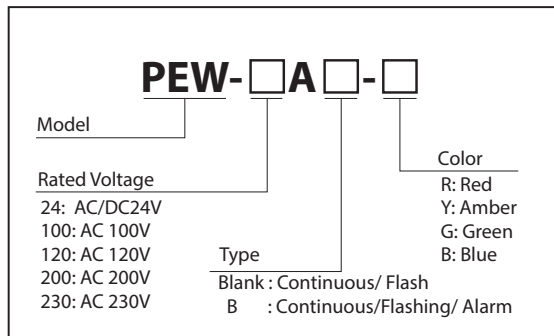
- Has maintenance-free LED's that consume nearly half the power incandescent bulb models (AC100V/200V) do.
- Newly-developed triple-reflection system for enhanced visibility and low power consumption.
- PEW-B type has a built-in adjustable audible alarm with a volume of up to 85dB (at 1m).
- Indoor installation can be upright, inverted or sideways; Outdoors is for upright only.
- The PES is rated for IP55 with the optional rubber gasket SZ-210 (IP23 without SZ-210).
- Has the CE mark and conforms to the requirements for the EC directive. (for 24V type)
- Is a UL Recognized Component (File No. E215660, for 24V, 120V, 230V types only).
- Dome is made of superior weather resistant and light translucent acrylic resin.
- Three flashing patterns of 60/120/180 fpm, switch selectable.
- The PEW is rated for IP54 (IP23 with side-wire exit mounting)
- Available colors are in Red, Amber, Green, and Blue.

### AVAILABLE BY SPECIAL ORDER

- Body Color: Silver
- IP65: PEW type only

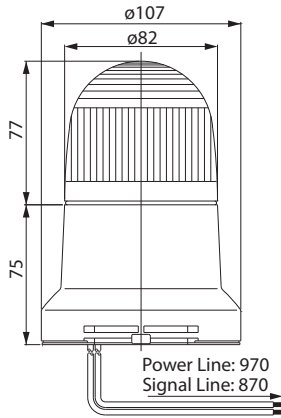


### How to Order

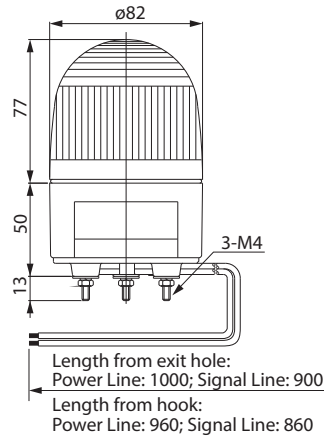


# Dimensions

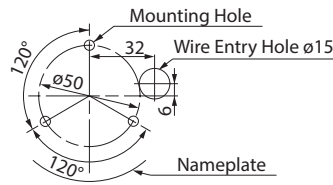
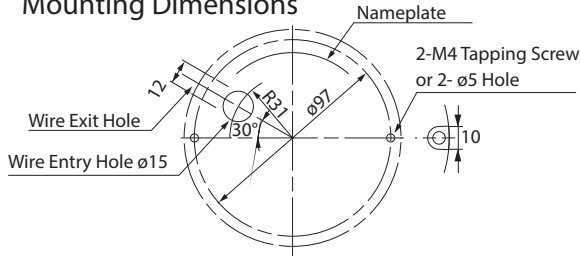
PEW-A



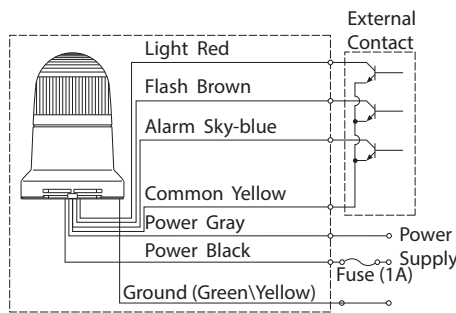
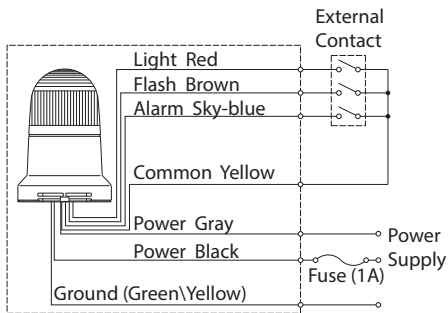
PES-A



## Mounting Dimensions



# Wiring



- \* All Models have the same wiring
- \* Sky-blue signal wire is for buzzer type only
- \* Ground wire is added for high-voltage types only

# Specifications

Model	Color	Rated Voltage	Power Consumption	Inrush Current	Mass
PEW-24A	R/Y	AC/DC 24V	1.2W	2.5A	320g
	G/B		1.5W		
PEW-24AB	R/Y		2.2W		
	G/B		2.5W		
PEW-100A	R/Y	AC 100V	2.8W	1.0A	520g
	G/B		3.3W		
PEW-100AB	R/Y		5.3W		
	G/B		5.8W		
PEW-120A	R/Y	AC 120V	3.0W	1.0A	520g
	G/B		3.5W		
PEW-120AB	R/Y		5.7W		
	G/B		6.2W		
PEW-200A	R/Y	AC 200V	2.5W	0.5A	520g
	G/B		3.2W		
PEW-200AB	R/Y		4.9W		
	G/B		5.6W		
PEW-230A	R/Y	AC 230V	3.1W	0.5A	520g
	G/B		3.8W		
PEW-230AB	R/Y		5.9W		
	G/B		6.4W		

Model	Color	Rated Voltage	Power Consumption	Inrush Current	Mass
PES-24A	R/Y	AC/DC 24V	1.2W	2.5A	240g
	G/B		1.5W		
PES-100A	R/Y	AC 100V	4.2W	1.0A	430g
	G/B		4.7W		
PES-120A	R/Y	AC 120V	4.4W		
	G/B		4.9W		
PES-200A	R/Y	AC 200V	4.0W	0.5A	430g
	G/B		4.7W		
PES-230A	R/Y	AC 230V	4.6W		
	G/B		5.3W		

# KPE-A

## Flashing/Rotating Light

LED



IP23

Ø162



## Revolving Warning Light featuring maintenance-free LED's, Corrosion-proof plastic and adjustable flashing cycles.

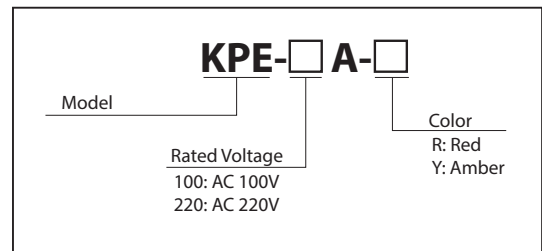
### FEATURES

- Enhanced design with special high-intensity illumination to improve light diffusion and ensure sufficient brightness, even outdoors.
- Internally adjustable flashing cycle between 50 and 200 times per minute.
- Extended long-life with LEDs so no bulb replacement is needed, perfect for "hard-to-service" locations.
- Indoor installation can be upright, inverted or sideways; Outdoors is for upright only.
- With an electronic rotating light system, no worn-out motors to replace.
- Main body is made of special weather-resistant resin.
- Dome is made from superior weather-resistant and light translucent acrylic resin.
- Stainless mounting bolts with corrosion-proof screws.
- Available Colors are Red and Amber.

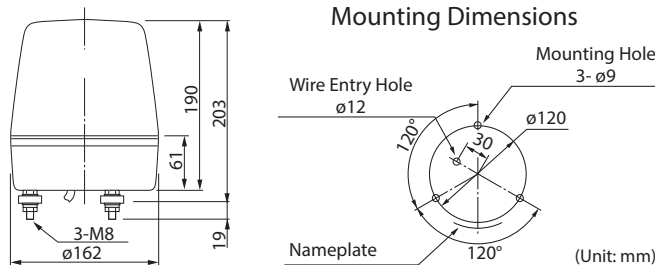
### Specifications

Model	Rated Voltage	Power Consumption	Flash Rate	Mass
KPE-100A	AC 100V	Continuous: 4W Flashing: 9W	50 - 200 rpm 60 fpm	1.5kg
KPE-220A	AC 220V			

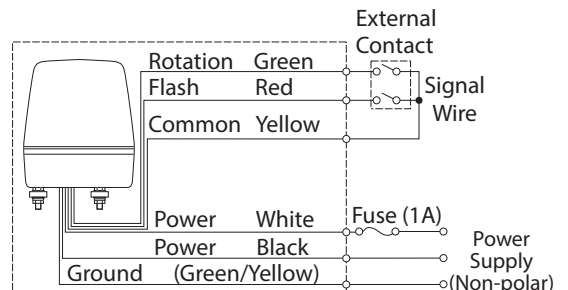
### How to Order



### Dimensions



### Wiring





MEMO

For more details, visit our website at <http://www.patlite.com>

# Revolving Warning Light





# SKHE/ SKHEB

## Super-bright LED Revolving Warning Light



LED



90dB at 1m (SKHEB)

IP23

Ø118

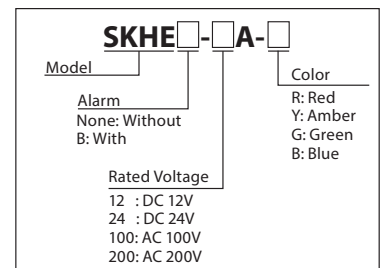


## Compact LED revolving warning light featuring one super-bright LED chip and an enhanced high dispersion reflection system.

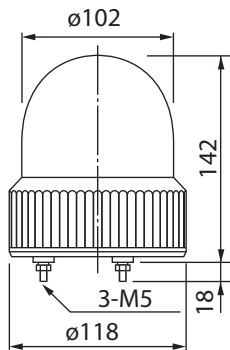
### FEATURES

- SKHEB series includes an internal alarm (hi-pitched tone) of 90dB (at 1m) that is synchronized with the light operation.
- Indoors allows upright, inverted, and horizontal installation; outdoors allows upright installation only.
- Has the CE mark and conforms to the requirements (for 12V, 24V type only) for the EC directive.
- Compact motor with high durability and energy-efficient characteristics.
- Energy-efficient by using only 1 LED chip which is super-bright.
- Dome lens is made of impact and heat resistant polycarbonate resin.
- Colors available are Red, Amber, Green, and Blue.

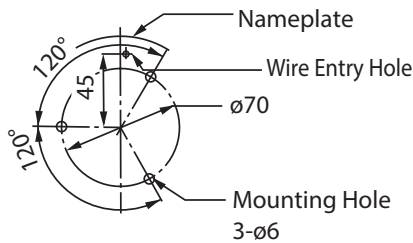
### How to Order



### Dimensions



### Mounting Dimensions



(Unit: mm)

### Specifications

Model	Rated Voltage	Current Consumption	Flash Rate (fpm)	Mass
SKHE/SKHEB-12	DC 12V	0.25A	120	400g
SKHE/SKHEB-24	DC 24V	0.16A		600g
SKHE/SKHEB-100	AC 100V	0.04A		
SKHE/SKHEB-200	AC 200V	0.02A		

### Newly developed reflector for LED revolving warning light



The PATLITE LED revolving warning light uses a unique and patented reflecting system, solely designed for these models. Even though the dispersion characteristics of the LED chip is less than an incandescent bulb, PATLITE's unique design creates an equivalent dispersion effect with the light reflector.



The uniquely designed reflectors not only reflect upward and to the side, but also downward; this cannot be achieved by incandescent bulb type revolving warning lights. The PATLITE LED revolving warning light is suitable for applications where high visibility from a low angle is required.



# RLE

## Revolving Warning Light



Optional Rubber Gasket SZ-210



LED

IP65 (with SZ-200A)

Ø82

## LED Signal Light featuring energy-saving and enhanced illumination with an LED integrated reflection system.

### FEATURES

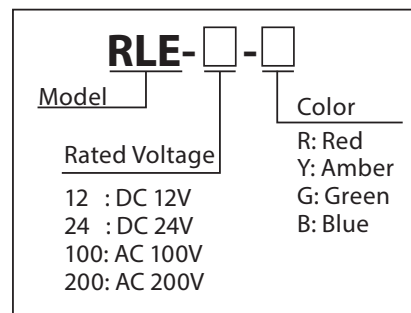
- Indoors allows upright, inverted, and horizontal installation; outdoors allows upright installation only.
- Dome lens is made of superior impact and heat resistant polycarbonate resin.
- Compact motor with high durability and energy-efficient characteristics.
- LED integrated reflection system for enhanced illumination.
- Energy-efficient and maintenance-free LED array
- Main body is made of impact and heat resistant ABS resin.
- Colors available are Red, Amber, and Green.

### Specifications

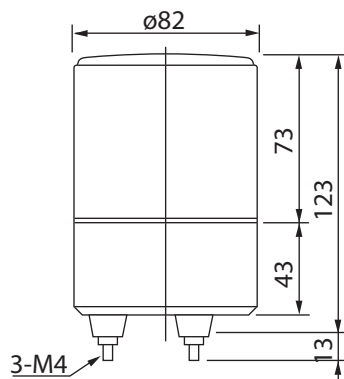
Model	Rated Voltage	Power Consumption	Flash Rate (fpm)	Mass
⊙ RLE-12	DC 12V	1.7W	120	400g
RLE-24	DC 24V	3.9W		400g
RLE-100	AC 100V	2W	120	600g
RLE-220	AC 220V			600g

⊙ Available by Special Order

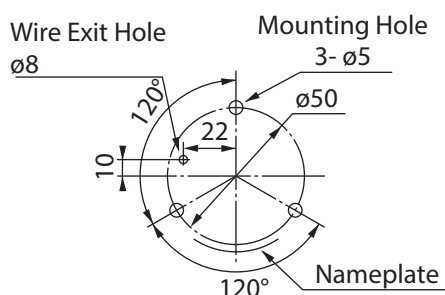
### How to Order



### Dimensions



### Mounting Dimensions



(Unit: mm)

# RKE/RKEB/RHE/RHEB



## Super-bright LED Revolving Warning Light



LED



IP55 (with SZ-200A)

Ø100



Optional Rubber Gasket SZ-200A

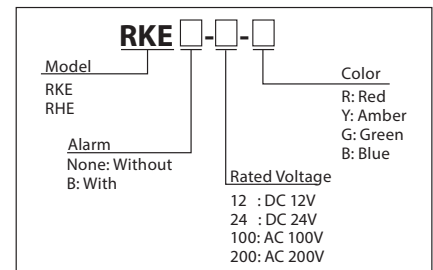


## Compact LED revolving warning light featuring one super-bright LED chip and an enhanced high dispersion reflection system.

### FEATURES

- RHEB/RKEB includes an internal alarm (hi-pitched tone) of 90dB (at 1m) that is synchronized with the light operation.
- Has the CE mark and conforms to the requirements (for 12V, 24V type only) for the EC directive.
- Compact motor with high durability and energy-efficient characteristics.
- Dome lens is made of impact and heat resistant polycarbonate resin.
- Energy-efficient by using only 1 LED chip which is super-bright.
- Main body is made of impact and heat resistant ABS resin.
- Colors available are Red, Amber, Green, and Blue.
- Uses a terminal block for easy wiring.

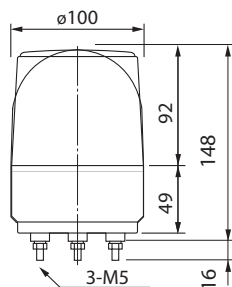
### How to Order



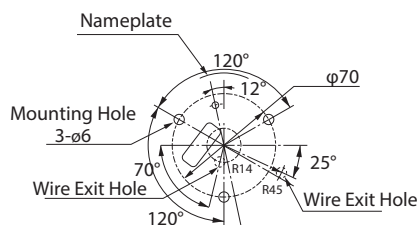
### Specifications

Model	Rated Voltage	Current Consumption	Flash Rate	Mass
RKE/RKEB-12	DC 12V	0.25A	120 fpm	400g
RKE/RKEB-24	DC 24V	0.16A		600g
RKE/RKEB-100	AC 100V	0.04A		400g
RKE/RKEB-200	AC 200V	0.02A		600g
RHE/RHEB-12	DC 12V	0.25A		400g
RHE/RHEB-24	DC 24V	0.16A		600g
RHE/RHEB-100	AC 100V	0.04A		
RHE/RHEB-200	AC 200V	0.02A		

### Dimensions



### Mounting Dimensions



(Unit: mm)

### Newly developed reflector for LED revolving warning light



The PATLITE LED revolving warning light uses a unique and patented reflecting system, solely designed for these models. Even though the dispersion characteristics of the LED chip is less than an incandescent bulb, PATLITE's unique design creates an equivalent dispersion effect with the light reflector.



The uniquely designed reflectors not only reflect upward and to the side, but also downward; this cannot be achieved by incandescent bulb type revolving warning lights. The PATLITE LED revolving warning light is suitable for applications where high visibility from a low angle is required.

# RKEM/ RHEM

## Super-bright LED Revolving Warning Light



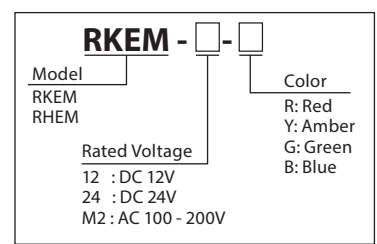
- LED
- IP55 (with SZ-200A)
- Ø100
- Brushless Motor

**Compact LED revolving warning light featuring one super-bright LED chip with an enhanced dispersion reflection system and brushless motor.**

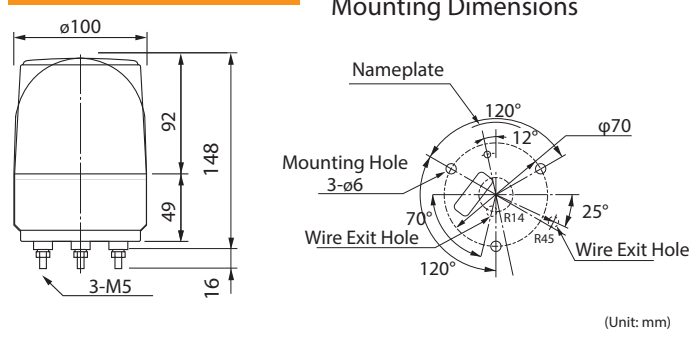
### FEATURES

- Has the CE mark and conforms to the requirements (for 12V, 24V type only) for the EC directive.
- Brushless compact motor with high durability and long-lasting characteristics.
- Dome lens is made of impact and heat resistant polycarbonate resin.
- Energy-efficient by using only 1 LED chip which is super-bright.
- Main body is made of impact and heat resistant ABS resin.
- Colors available are Red, Amber, Green, and Blue.
- Uses a terminal block for easy wiring.

### How to Order



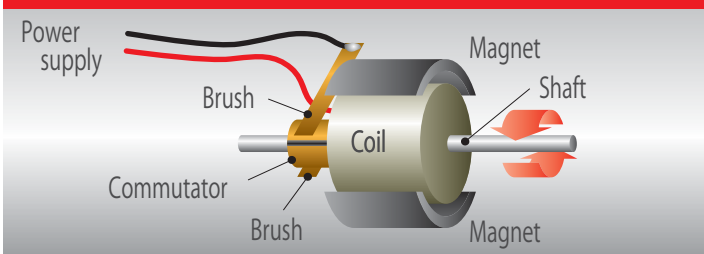
### Dimensions



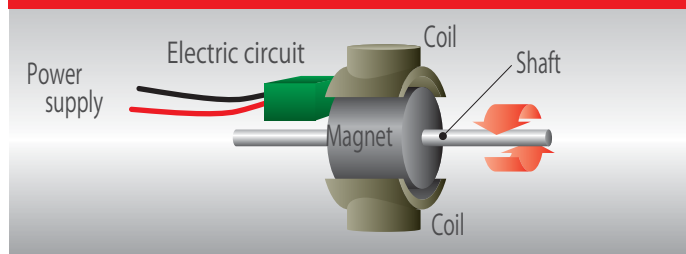
### Specifications

Model	Rated Voltage	Current Consumption	Flash Rate	Mass
RKEM-12	DC 12V	0.20A	120 fpm	400g
RKEM-24	DC 24V	0.14A		
RKEM-M2	AC 100-200V	0.20A-0.06A		
RHEM-12	DC 12V	0.20A		
RHEM-24	DC 24V	0.14A		
RHEM-M2	AC 100-200V	0.20A-0.06A		

### Conventional Motor Construction



### Brushless Motor Construction



# RU/ RUP/ RS

## Revolving Warning Light



Bulb



IP55 (with SZ-210)

Ø82



Optional Rubber Gasket SZ-210

## Compact Revolving Warning Light perfectly designed for small devices.

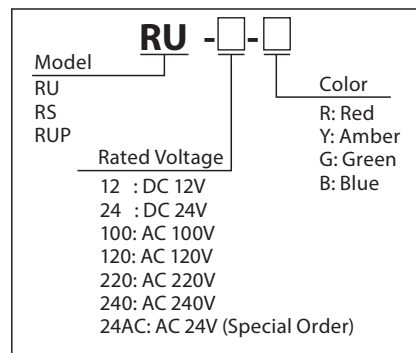
### FEATURES

- Indoors allows upright, inverted, and sideways installation; outdoors allows upright installation only.
- Has the CE mark and conforms to the requirements (for 12V, 24V type only) for the EC directive.
- Dome is made from superior impact and heat resistant polycarbonate resin.
- Main body is made of impact and heat-resistant polycarbonate resin.
- Rotating parabolic reflector to enhance visibility from a distance.
- Vibration-resistant automobile bulb for extended bulb life.
- Available Colors are Red, Amber, Green, and Blue.

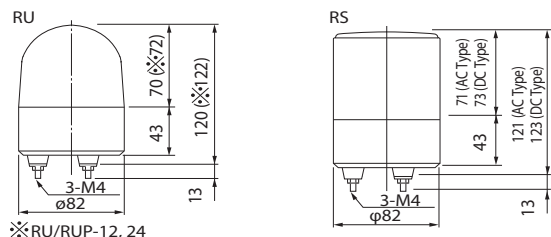
### AVAILABLE BY SPECIAL ORDER

- Body Color: Silver
- Mounting Pole and Bracket: Standard with RUP Series.

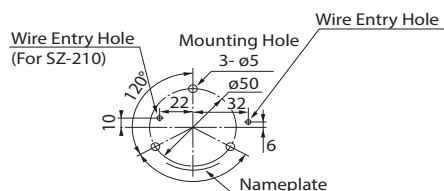
### How to Order



### Dimensions



Mounting Dimensions



(Unit: mm)

### Specifications

Model	Rated Voltage	Current Consumption	Flash Rate (fpm)	Bulb		Mass	
				Ratings	Repl. No.	RU/RS	RUP
RU/RS-12	DC 12V	0.5A	120	12V 6W	18	0.4kg	0.8kg
RU/RS-24	DC 24V	0.3A		24V 6W	19		
RU/RS-100	AC 100V	0.1A		12V 6W	18	0.6kg	1.0kg
RU/RS-120	AC 120V						
RU/RS-220	AC 220V	0.05A		24V 6W	19	0.4kg	0.8kg
RU/RS-240	AC 240V						
⊙ RU/RS-24AC	AC 24V	0.3A					

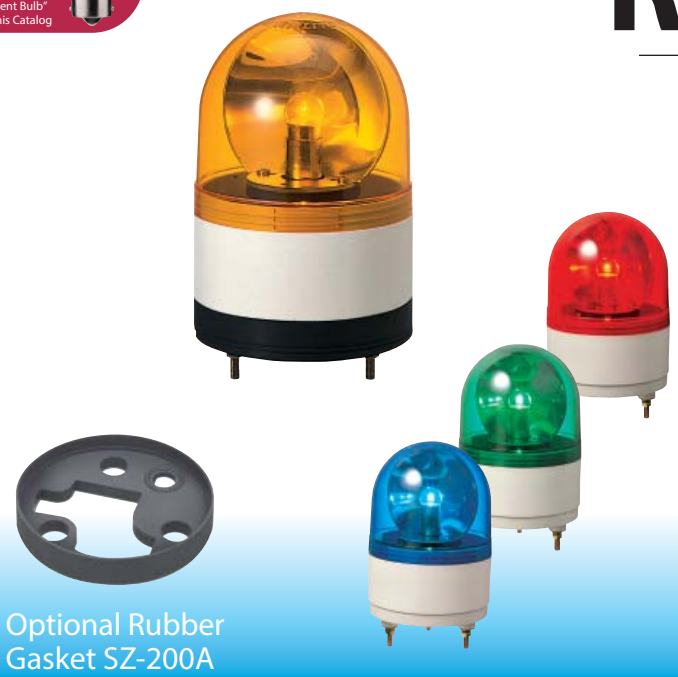
⊙ Available by Special Order

Model **DEB** LED Lamp  
**Recommended Product**  
 For more details on Model DEB Refer to the "Replacement Bulb" Section at the end of this Catalog



# RH-A/ RK-A

## Revolving Warning Light



Optional Rubber Gasket SZ-200A

- Bulb**
- IP55** (with SZ-200A)
- 1 Alarm Sound** (RHB & RKB)
- 90dB at 1m** (RHB & RKB)
- Terminal**
- Ø100**

## Compact Revolving Warning Light featuring high durability and easy wiring with terminal block.

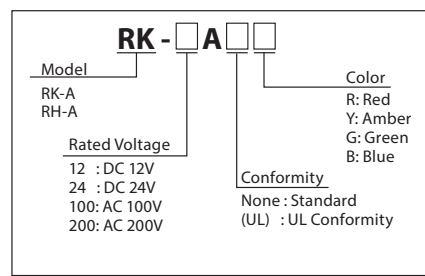
### FEATURES

- Indoors allows upright, inverted, and sideways installation; Outdoors allows upright installation only.
- Has the CE mark and conforms to the requirements (for 12V, 24V type only) for the EC directive.
- Dome is made from superior impact and heat resistant polycarbonate resin.
- Main body is made of impact and heat-resistant polycarbonate resin.
- Built-in audible alarm for models RHB/RKB at a sound of 90dB (at 1m).
- Rotating parabolic reflector to enhance visibility from a distance.
- Is UL Listed for 24V, 120V, and 240V types (File No. E215660)
- Vibration-resistant automobile bulb for extended bulb life.
- Available Colors are Red, Amber, Green, and Blue.
- Utilizes a terminal block for easy wiring.

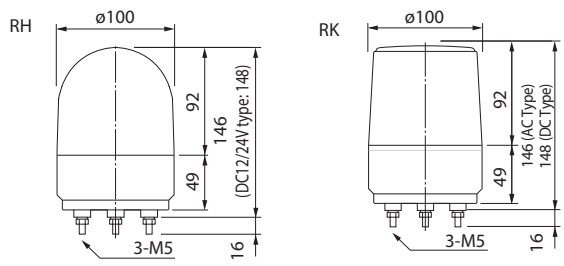
AVAILABLE BY SPECIAL ORDER (RH TYPE)

- Body Color: Silver

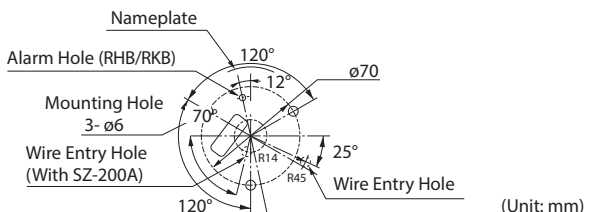
### How to Order



### Dimensions



### Mounting Dimensions



### Specifications

Model	Rated Voltage	Current Consumption	Flash Rate (fpm)	Bulb		Mass	
				Ratings	Repl. No.		
RH/RHB-12A	DC 12V	0.8A	170	12V 10W	9	400g	
RH/RHB-24A (UL)	DC 24V	0.5A		24V 10W	10		
RH/RHB-120A (UL)	AC 120V	0.1A		12V 5W	12	600g	
RH/RHB-200A	AC 200V	0.03A		24V 10W	10	400g	
RH/RHB-240A (UL)	AC 240V	0.05A					
RK/RKB-24A (UL)	DC 24V	0.5A		12V 5W	12	600g	
RK/RKB-120A (UL)	AC 120V	0.1A					
RK/RKB-200A	AC 200V	0.03A					
RK/RKB-240A (UL)	AC 240V	0.05A					

# SKH-A

## Revolving Warning Light



**Model DEB LED Lamp**  
**Recommended Product**  
 For more details on Model DEB  
 Refer to the "Replacement Bulb"  
 Section at the end of this Catalog





### Bulb

**1 Alarm Sound** (SKHB)

**90dB at 1m** (SKHB)

**IP56** (SKH-SA, others IP23)

**Ø118**

## Corrosion-proof plastic Revolving Warning Light for a variety of applications.

### FEATURES

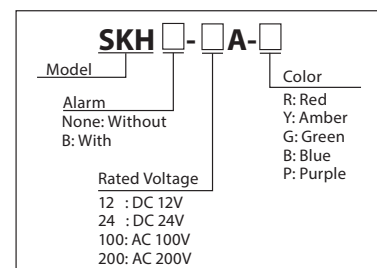
- Rotating parabolic reflector to enhance visibility from a distance.
- Vibration-resistant automobile bulb for extended bulb life.
- Includes an internal alarm of 90dB (at 1m) that is synchronized with the light operation.
- Upright, inverted, and sideways installation allowed for indoors\* as well as outdoors.
- Dome is made from superior weather-resistant and light-translucent acrylic resin.
- Available Colors are Red, Amber, Green, and Blue.
- Has the CE mark and conforms to the requirements (for 12V, 24V type only) for the EC directive.

\*SKH-SA installation allows upright and inverted installation only for indoor use.

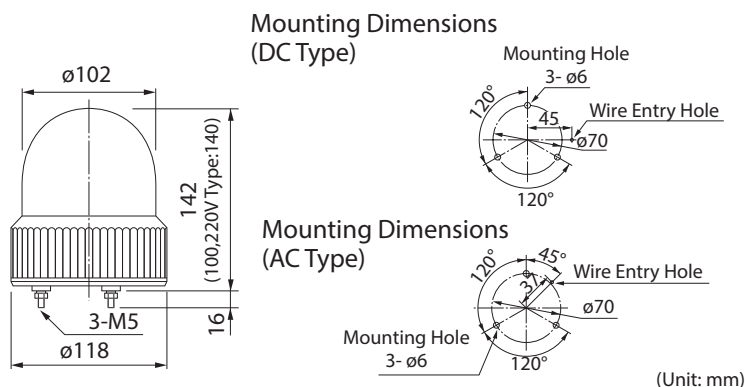
### Specifications

Model	Rated Voltage	Current Consumption	Flash Rate (fpm)	Bulb		Mass
				Ratings	Repl. No.	
SKH-101A/SKHB-12A	DC 12V	0.8A	170	12V 10W	9	400g
SKH-102A/SKHB-24A	DC 24V	0.5A		24V 10W	10	
SKH-110A/SKHB-100A	AC 100V	0.065A		12V 5W	12	600g
SKH-112A/SKHB-120A	AC 120V	0.07A				
SKH-120A/SKHB-200A	AC 200V	0.03A				
SKH-102SA	DC24V	0.5A				
SKH-110SA	AC 100V	0.1A	12V 5W	12	600g	

### How to Order



### Dimensions



# SKH-EA

## Revolving Warning Light



Model **DEB LED Lamp**  
**Recommended Product**  
 For more details on Model DEB  
 Refer to the "Replacement Bulb"  
 Section at the end of this Catalog




-  **Bulb**
- IP23**
- Ø100**

## Best-selling Revolving Warning Light for wide range of applications.

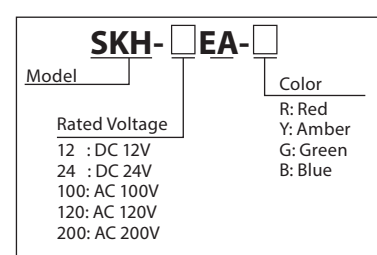
### FEATURES

- Indoors allows upright, inverted, and sideways installation; outdoors allows upright installation only.
- Has the CE mark and conforms to the requirements (for 12V, 24V type only) for the EC directive.
- Dome is made from superior weather-resistant and light-translucent acrylic resin.
- Rotating parabolic reflector to enhance visibility from a distance.
- Vibration-resistant automobile bulb for extended bulb life.
- Available Colors are Red, Amber, Green, and Blue.

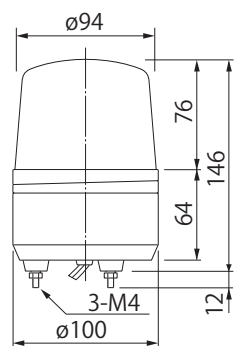
### Specifications

Series	Model	Rated Voltage	Current Consumption	Flash Rate (fpm)	Bulb		Mass
					Ratings	Repl. No.	
USA Version	SKH-12EA	DC 12V	0.8A	170	12V 10W	9	400g
	SKH-24EA	DC 24V	0.5A		24V 10W	10	400g
	SKH-120EA	AC 120V	0.07A		12V 5W	12	600g
Standard Version	SKH-12EA	DC 12V	0.8A		12V 10W	9	400g
	SKH-24EA	DC 24V	0.5A		24V 10W	10	400g
	SKH-100EA	AC 120V	0.065A		12V 5W	12	600g
	SKH-200EA	AC 200V	0.03A				

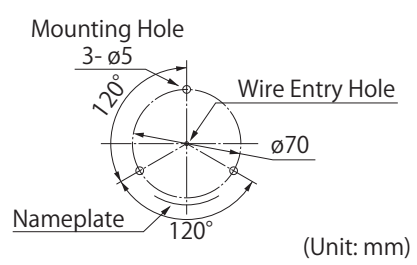
### How to Order



### Dimensions



### Mounting Dimensions



# SKP-A

## Revolving Warning Light



Bulb



IP23

Ø138



## A Revolving Warning Light featuring corrosion-resistance and a stable and silent rotation.

### FEATURES

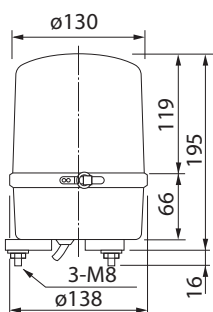
- Main body is made of a melamine baked finish with a corrosion-proof stainless steel (SUS 304) lens mounting fixture.
- Has the CE mark and conforms to the requirements (for 12V, 24V, 48V DC types only) for the EC directive.
- Indoors allows upright, inverted, and sideways installation; outdoors allows upright installation only.
- Dome lens is made of superior impact and heat resistant polycarbonate resin.
- Rotary Mechanism is gear-driven for stable rotation under vibration.
- Available Colors are in Red, Amber, Green, and Blue.

### Specifications

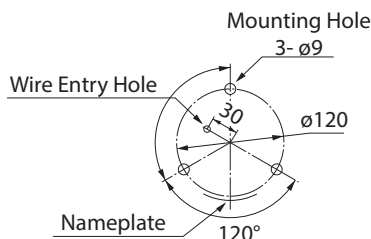
Model	Rated Voltage	Current Consumption	Flash Rate (fpm)	Bulb		Mass
				Ratings	Repl. No.	
SKP-101A	DC 12V	2.6A	140	12V 35W	1	0.8kg
SKP-102A	DC 24V	1.2A		24V 35W	2	
SKP-104A	DC 48V	0.8A		48V 35W	5	0.9kg
⊙ SKP-110ADC	DC 100V	0.35A		120V 40W	36	
SKP-110A	AC 100V	0.3A	120	220V 30W	37	1.0kg
SKP-120A	AC 200V	0.13A				

⊙ Available by Special Order

### Dimensions

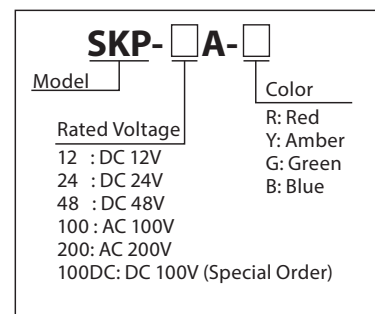


### Mounting Dimensions



(Unit: mm)

### How to Order





# SKL-A

## Revolving Warning Light


**Bulb**
**IP23**
**Ø162**

## Basic Large-sized Revolving Warning Light with highly durable housing.

### FEATURES

- Main body for the SKL-CA has a scratch-free melamine baked finish, and the SKL-SA is of corrosion-proof stainless steel.
- Has the CE mark and conforms to the requirements (for 12V, 24V, 48V DC type only) for the EC directive.
- Indoors allows upright, inverted, and sideways installation; outdoors allows upright installation only.
- Dome is made of a superior impact and heat-resistant polycarbonate resin.
- Available Colors are Red, Amber, Green, and Blue.

## Specifications

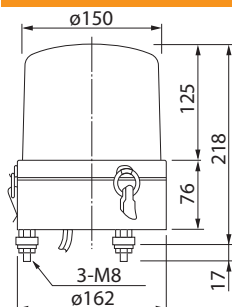
Model	Rated Voltage	Current Consumption	Flash Rate (fpm)	Bulb		Mass
				Ratings	Repl. No.	
SKL-101CA/101SA	12V DC	2.6A	140	12V 35W	1	1.3kg
SKL-102CA/102SA	24V DC	1.2A		24V 35W	2	
◎ SKL-102ACSA	24V AC			48V 35W	5	
SKL-104CA	48V DC	0.8A		120V 40W	36	1.5kg
SKL-110CA/110SA	100V AC	0.3A		220V 30W	37	
SKL-112SA	120V AC	0.4A				
SKL-120CA/120SA	200V AC	0.13A	120			

◎ Available by Special Order

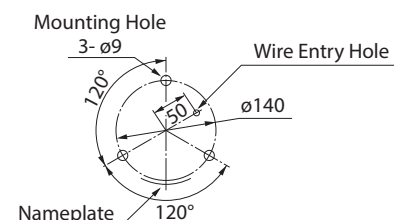
## How to Order

Model	Rated Voltage	Color	Body
SKL-101	DC 12V	R: Red	CA: Melamine Finish
SKL-102	DC 24V	Y: Amber	SA: Stainless Steel
SKL-104	DC 48V	G: Green	
SKL-110	AC 100V	B: Blue	
SKL-112	AC 120V		
SKL-120	AC 200V		
SKL-102AC	AC 24V (Special Order)		

## Dimensions



### Mounting Dimensions



(Unit: mm)



# SKV-A

Revolving Warning Light



Bulb

IP66

Ø204

## Corrosion-resistant Revolving Warning Light.

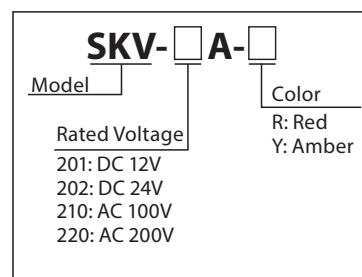
### FEATURES

- Main body is made of corrosion-resistant aluminum alloy die-cast with a metal cable gland.
- Dome lens is made of superior impact and heat resistant polycarbonate resin.
- Operating Temperature Range is from -30°C to +80°C.
- Allows upright, inverted, and sideways installation.
- Available Colors are in Red and Amber.

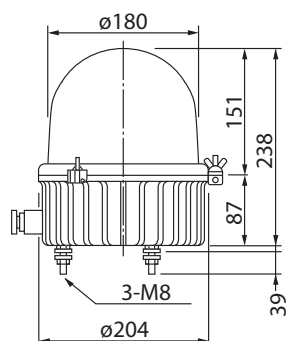
### Specifications

Model	Rated Voltage	Current Consumption	Flash Rate (fpm)	Bulb		Mass
				Ratings	Repl. No.	
SKV-101A	12V DC	2.6A	140	12V 35W	1	2.6kg
SKV-102A	24V DC	1.2A		24V 35W	2	
SKV-110A	100V AC	0.3A	120	120V 40W	36	2.8kg
SKV-120A	200V AC	0.13A		220V 30W	37	

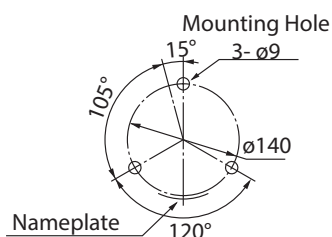
### How to Order



### Dimensions



### Mounting Dimensions



(Unit: mm)



# SKHB-1006D

## Revolving Warning Light

Bulb



1 Alarm Sound

IP23

Ø162

Portable



## Portable Revolving Warning Light with dry cell batteries.

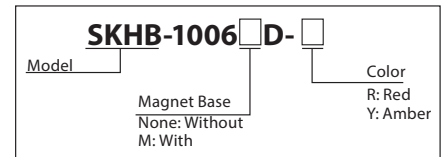
### FEATURES

- Built-in operation-selectable alarm with external switch for light rotation only, or with buzzer and light rotation (solenoid buzzer sound).
- Contains five (5) SUM-1 batteries for 4 hours of operation, or five (5) LR20 for about 15 hours.
- Dome is made of superior weather-resistant and light-translucent acrylic resin.
- The 1006MA type includes a powerful magnet for secure placement.
- Installation is for the upright position only.
- Available Colors are Red and Amber.

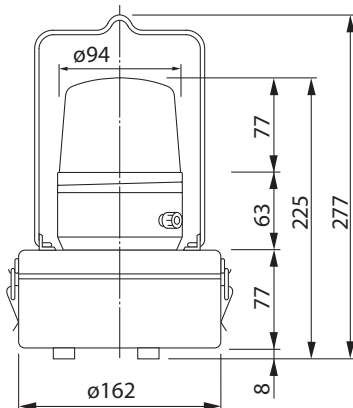
### Specifications

Model	Rated Voltage	Power Consumption	Flash Rate (fpm)	Bulb		Mass
				Ratings	Repl. No.	
SKHB-1006D	DC6V (SUM-1x5)	3W	170	6V 3W	8	2.0kg
SKHB-1006MD						2.1kg

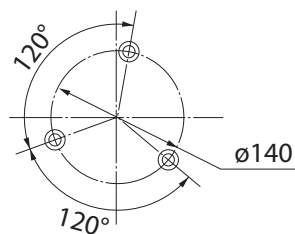
### How to Order



### Dimensions



### Mounting Dimensions



(Unit: mm)

# KP-A

## Revolving Warning Light



-  **Bulb**
- IP23**
- Ø162**

## Corrosion-proof plastic Revolving Warning Light for a wide range of applications.

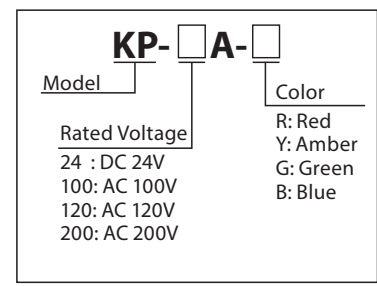
### FEATURES

- Extended product lifespan by using vibration-resistance and reliable operation, even under a severely cold environment (-30°C).
- Indoors allows upright, inverted, and sideways installation; outdoors allows upright installation only.
- Has the CE mark and conforms to the requirements (for 24V type only) for the EC directive.
- Dome lens is made of superior weather-resistant and light-translucent acrylic resin.
- Mounting Bolts are drip-proof and made of rust-free stainless steel.
- Rotating parabolic reflector to enhance visibility from a distance.
- Main Body is made of special UV and water-resistant resin.
- Available Colors are Red, Amber, Green, and Blue.

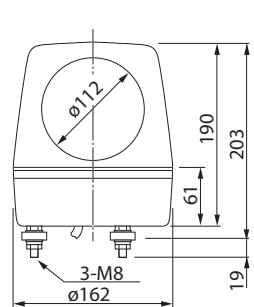
### Specifications

Model	Rated Voltage	Current Consumption	Flash Rate (fpm)	Bulb		Mass
				Ratings	Repl. No.	
KP-24A	24V DC	1.2A	140	24V 35W	2	1.0kg
KP-100A	100V AC	0.3A		120V 40W	6	
KP-120A	120V AC	0.4A				
KP-200A	200V AC	0.13A	120	220V 30W	37	1.2kg

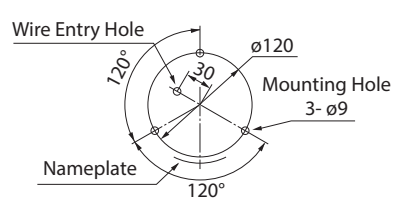
### How to Order



### Dimensions



### Mounting Dimensions



(Unit: mm)

# WH-A/WK-A

## Revolving Warning Light



Model **DEB LED Lamp**  
**Recommended Product**  
 For more details on Model DEB Refer to the "Replacement Bulb" Section at the end of this Catalog



**Bulb**



**1 Alarm Sound** (WHB-A Only)

**90dB at 1m** (WHB-A Only)

**IP54**

**Ø100**



Easily attachable to an electrical box with easy wiring to a terminal block.



Install in various directions when using for indoor applications.

- Sideways
- Upside-down



When installing the WHB, direct the buzzer in a downward direction.

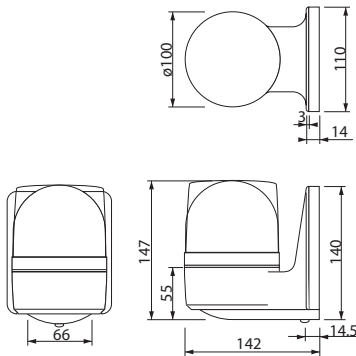
## Wall-mount Revolving Warning Light featuring easy wiring with terminal block.

### FEATURES

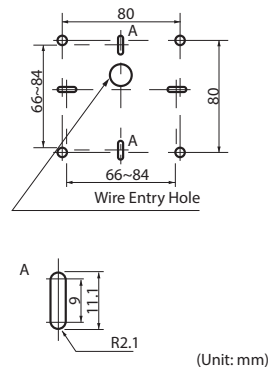
- Has the CE mark and conforms to the requirements (12V, 24V type only) for the EC directive.
- Upright, inverted, and sideways installation allowed for indoors as well as outdoors\*.
- Dome is made from superior weather-resistant and light-translucent acrylic resin.
- Rotating parabolic reflector to enhance visibility from a distance.
- Compact motor with high durability and energy-efficient characteristics.
- Vibration-resistant automobile bulb for extended bulb life.
- Main body is made of impact and heat resistant ABS resin.
- Available Colors are Red, Amber, Green, and Blue.
- Uses a terminal block for easy wiring.

\*WHB installation is upright only for outdoor use.

### Dimensions



### Mounting Dimensions

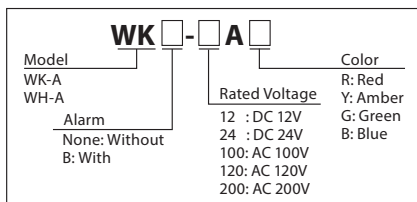


(Unit: mm)

### Specifications

Model	Rated Voltage	Current Consumption	Flash Rate (fpm)	Bulb		Mass
				Rated	Repl. No.	
WK-12A	DC 12V	0.8A	170	12V 10W	9	550g
WH-24A	DC 24V	0.5A		24V 10W	10	
WK-24A				12V 5W	12	750g
WH-100A	AC 100V	0.07A				
WK-100A						
WH-120A	AC 120V	0.08A				
WK-120A						
WH-200A	AC 200V	0.04A		12V 10W	9	550g
WK-200A						
WHB-24A	DC 24V	0.5A		24V 10W	10	
WKB-24A						
WHB-100A	AC 100V	0.07A		12V 5W	12	750g
WKB-100A						
WHB-120A	AC 120V	0.07A				
WKB-120A						
WHB-200A	AC 200V	0.04A				
WKB-200A						

### How to Order



# HP

## Revolving Warning Light



 Halogen

$\Phi 182$

### Large Revolving Warning Light with a solid design.

#### FEATURES

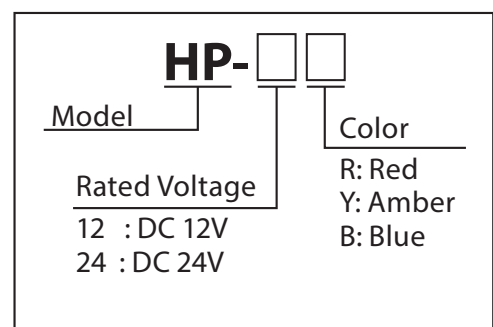
- Dome is made from superior weather-resistant and light-translucent acrylic resin.
- Main body is made of impact and heat resistant ABS resin.
- Available Voltages are DC 12V and DC 24V.
- Available Colors are Red, Amber, and Blue.
- Utilizes a Halogen Bulb (Sold Separately).

#### Specifications

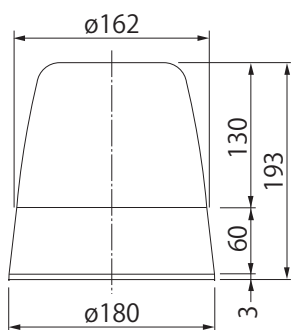
Model	Rated Voltage	Halogen Bulb	Flash Rate (fpm)	Mass
		Bulb sold separately		
⊙ HP-12	12V/24 DC	0.5A	160	1.0kg
⊙ HP-24				

⊙ Available by Special Order

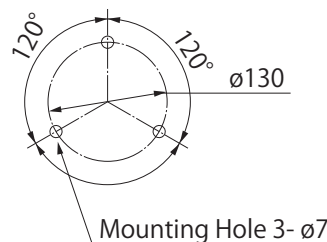
#### How to Order



#### Dimensions



#### Mounting Dimensions



(Unit: mm)

# KG

## Revolving Warning Light

Bulb 

IP23

Ø186

Dual-face Reflector



## Large lightweight Revolving Warning Light with dual-face reflector.

### FEATURES

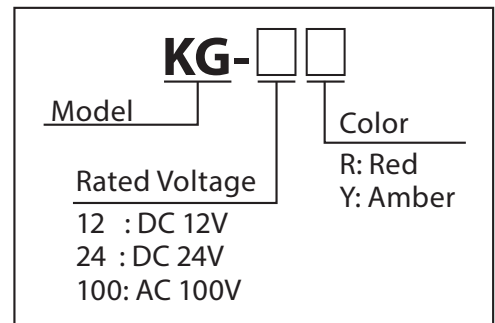
- Indoors allows upright, inverted, and sideways installation; outdoors allows upright installation only.
- Main Body is made of a black resin for resistance against harsh weather and UV rays.
- Compact motor with high durability and energy-efficient characteristics.
- The red dome is made of AS resin; the amber dome is made of PS resin.
- Dual-face reflector for a powerful rotary flash.
- Available Colors are in Red and Amber.

\*Please contact your local PATLITE representative for other available voltages.

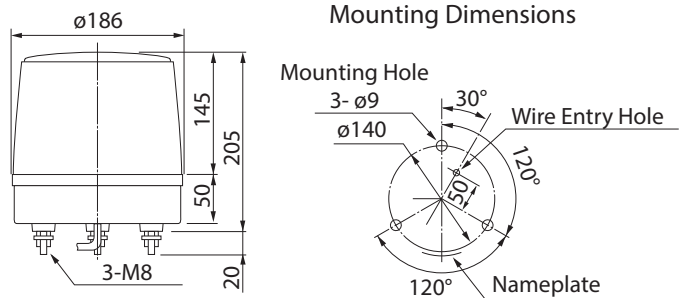
### Specifications

Model	Rated Voltage	Current Consumption	Flash Rate (fpm)	Bulb		Mass
				Ratings	Repl. No.	
KG-12	DC 12V	2.7A	180	12V 35W	1	700g
KG-24	DC 24V	1.2A		24V 35W	2	
KG-100	AC 100V	0.32A		120V 40W	36	

### How to Order



### Dimensions



(Unit: mm)



# HKFM

## Revolving Warning Light



 Halogen

### Compact revolving warning light with cigar lighter plug to attach onto your car for road service.

#### FEATURES

- Large-sized rotating parabolic reflector to enhance visibility from a distance.
- Cigar lighter plug with a 4m cable for easy power connection.
- Available Colors are in Red, Amber, Green, and Blue.
- Rim-drive motor for a quiet and stable rotation.
- Dome lens is made of polycarbonate resin.

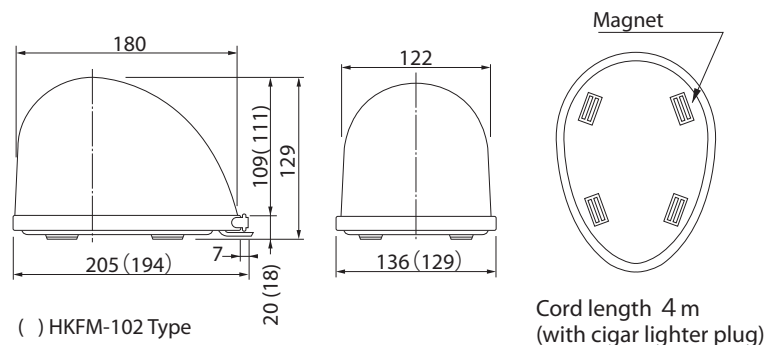
#### Specifications

Model	Rated Voltage	Current Consumption	Flash Rate (fpm)	Bulb	Mass
HKFM-101	DC 12V	2.9A	230	12V 35W	800g
HKFM-102	DC 24V	1.9A		24V 55W	

#### How to Order

<b>HKFM</b> <input type="checkbox"/> - <input type="checkbox"/>	
Model	Color
Rated Voltage	R: Red
101 : DC 12V	Y: Amber
102 : DC 24V	G: Green
	B: Blue

#### Dimensions



(Unit: mm)

# RLR

## LED Revolving Warning Light



LED



Ø162

IP66



## Ideal for forklift, material handling equipment and a great variety of applications.

### FEATURES

- Has the CE mark and conforms to the requirements (for 12V, 24V, 48V type) for the EC directive.
- Colors available are Red, Amber, Green, and Blue.
- RLR complies with the RoHS Directive.

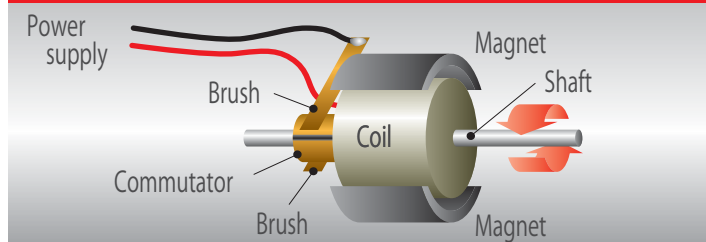
## LED + Brushless Motor + Bearing Mechanism



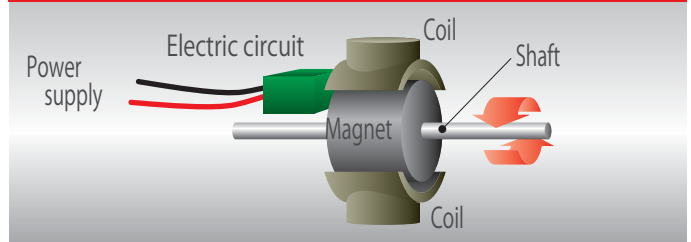
## Long Life

The RLR has many advantages in comparison to a rotating beacon using incandescent bulbs and the conventional motor. The LED will last approximately 20 to 40 times longer than an incandescent bulb, and in combination with a brushless motor with bearings, allows the RLR to operate from 8,000 hrs to 10,000 hrs, compared to 5,000 hrs for other rotating beacons.

### Conventional Motor Construction



### Brushless Motor Construction





# KUS

## Cube Tower



- LED
- Bulb
- 1 Alarm Sound
- 80db at 1m
- IP54 (Except KUS-B)
- 70

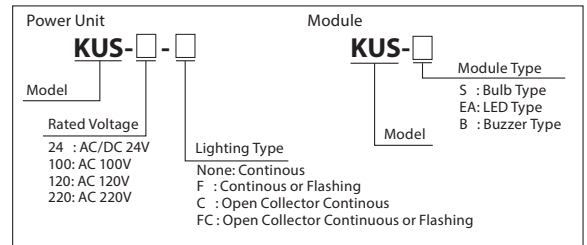


The KUS Series cube tower; uses advanced technology with a modular design to combine two different lights on one unit.

### FEATURES

- Light modules can be stacked up to 4 tiers in any color combination.
- RoHS Compliance for Models KUS-24, KUS24F, KUS-EA-R/Y/G/B/C.
- Lenses are made of heat and shock resistant polycarbonate resin.
- Each light has a built-in dip switch to control the light on or off.
- Maximum power consumption of the base unit is 21 watts.
- Light and Base units are sold separately.
- IP rating of IP54 (Except the KUS-B)
- KUS-F flashes 60 times a minute.

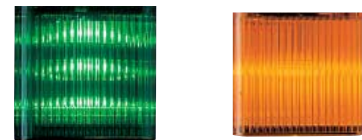
### How to Order



### Specifications

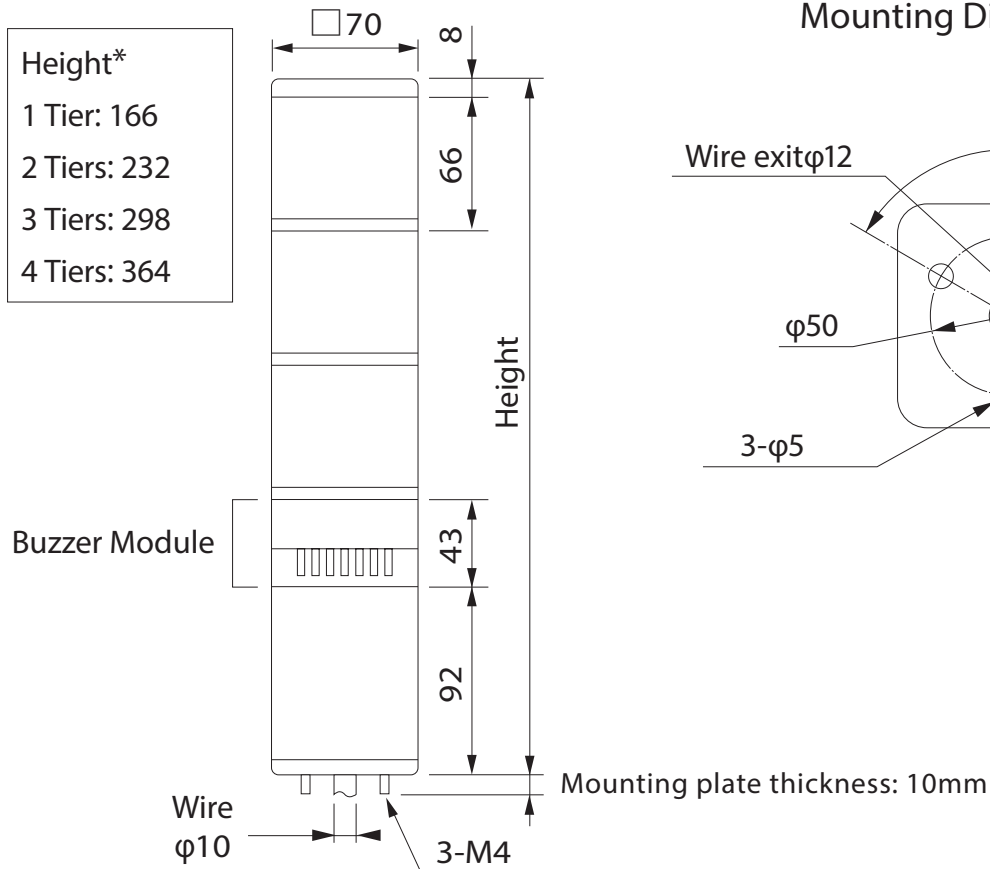
Power Unit	Model	Rated Voltage	Power Consumption	(Image)
Continuous Lighting	KUS -24	AC/DC 24V	21W	
	KUS -100	AC 100V		
	KUS -120	AC 120V		
	KUS -220	AC 220V		
Continuous Lighting or Flashing	KUS -24 F	AC/DC 24V		
	KUS -100 F	AC 100V		
	KUS -120 F	AC 120V		
	KUS -220 F	AC 220V		
Open-Collector Continuous Lighting	KUS -24 C	AC/DC 24V		
	KUS -100 C	AC 100V		
	KUS -120 C	AC 120V		
	KUS -220 C	AC 220V		
Open-Collector Continuous Lighting or Flashing	KUS -24 FC	AC/DC 24V		
	KUS -100 FC	AC 100V		
	KUS -120 FC	AC 120V		
	KUS -220 FC	AC 220V		

Model	Rated Voltage	Power Consumption	Bulb	
			Ratings	Repl. No.
KUS-S (Bulb)	DC 24V	6W	24V 6W	19
KUS-EA (LED)			—	—

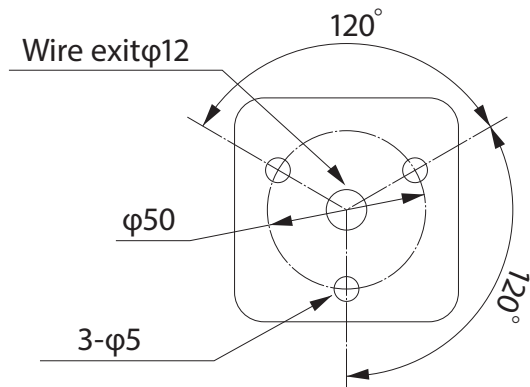


Model	Rated Voltage	Power Consumption	Volume
KUS-B	DC 24V	0.5W	80dB (at 1m)





Mounting Dimensions

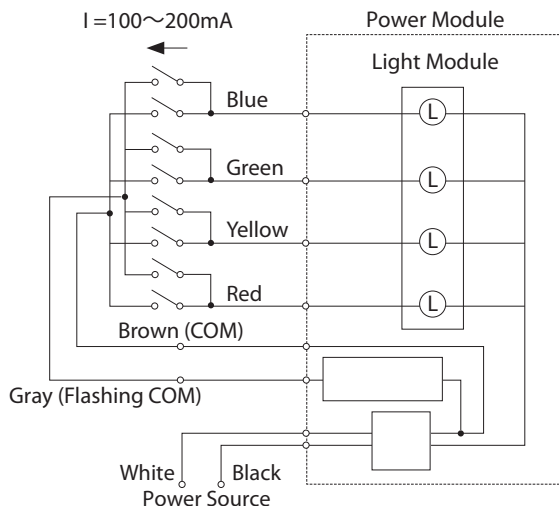


\* Buzzer module height not included

(Unit: mm)

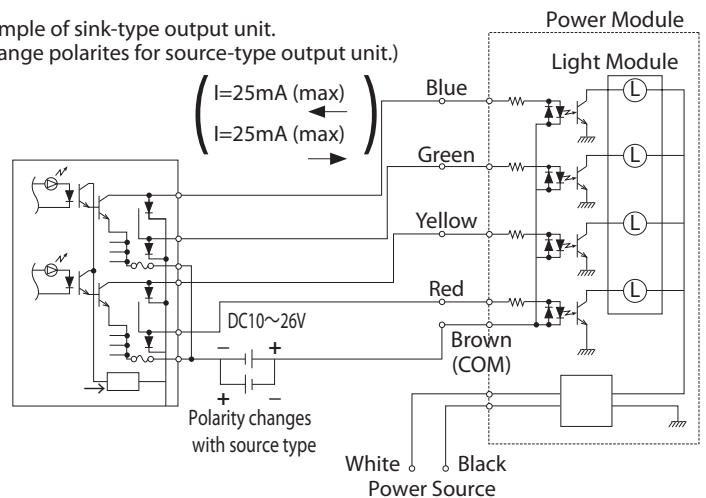
Wiring

Contact Input Type  
(KUS, KUS-F)



Open-collector Type  
(NPN/PNP for KUS-FC,C)

Example of sink-type output unit.  
(Change polarities for source-type output unit.)



# KJS / KJSB

## Cube Tower



Model **DEB** LED Lamp  
**Recommended Product**  
 For more details on Model DEB  
 Refer to the "Replacement Bulb"  
 Section at the end of this Catalog



### Bulb



**1** Alarm Sound

**85** dB at 1m (KJSB)

**IP23**

**82**

**NPN/PNP**  
**Open-collector**

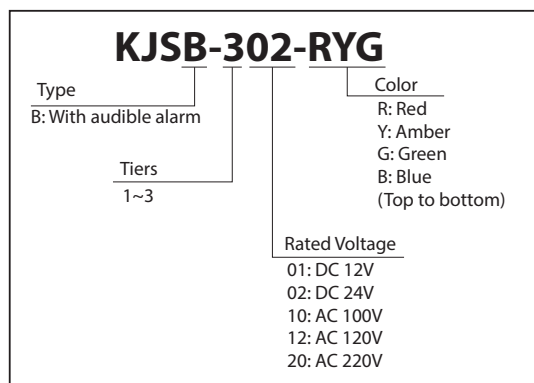


## Lightweight Cube Tower featuring a built-in buzzer designed to fit applications for small equipment.

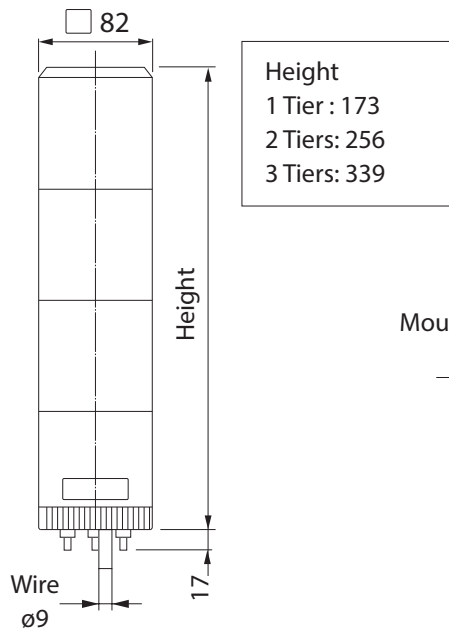
### FEATURES

- Built-in Alarm with intermittent buzzer sound and volume of up to 85dB (at 1m).
- Lens is made of superior weather-resistant and light-translucent AS resin.
- Rotating parabolic reflector to enhance visibility from a distance.
- Main body is made of impact and heat resistant ABS resin.
- Available colors are Red, Amber, Green, and Blue.
- Installation is in the upright position only.
- Flashing cycle of 160 times/min.
- One spare bulb is included.

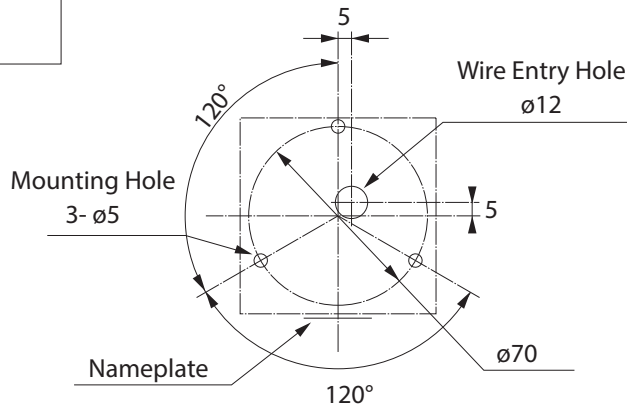
### How to Order



## Dimensions

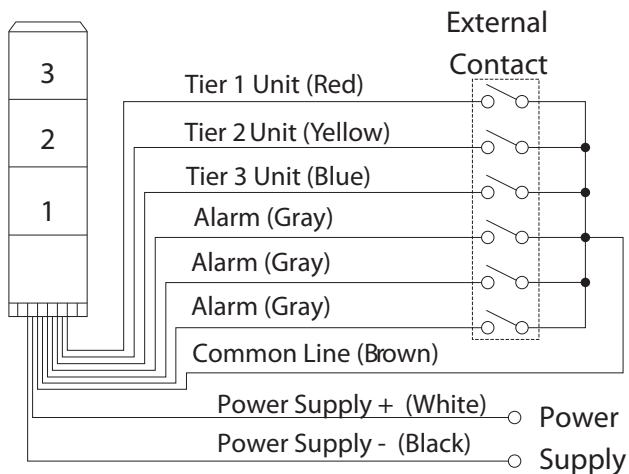


## Mounting Dimensions



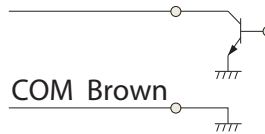
(Unit: mm)

## Wiring



## NPN Open-collector Transistor

Red, Yellow, Blue, Gray



Current Consumption and Contact Capacity per Module				
Rated Voltage	Lamp Wire Current	Alarm Wire Current	Lamp Wire Contact Capacity	Alarm Wire Contact Current
DC 12V	34mA	100mA	50mA or more	300mA or more
DC 24V				
AC 100V				
AC 120V				
AC 200V				

- ⊖ DC Inputs are polarized.
- ⊖ Only the KJSB has Gray wires for alarm input.

## Specifications

Stack Number	Model	Rated Voltage	Power Consumption	Flash Rate (fpm)	Bulb	
					Ratings	Repl. No.
1 Tier	KJS KJSB	-101 DC 12V	6W	160	12V 5W	12
		-102 DC 24V	12W		24V 10W	10
		-110 AC 100V	8W		12V 5W	12
		-112 AC 120V				
		-120 AC 200V				
2 Tiers	KJS KJSB	-201 DC 12V	11W		12V 5W	12
		-202 DC 24V	24W		24V 5W	10
		-210 AC 100V	16W		12V 5W	12
		-212 AC 120V				
		-220 AC 200V				
3 Tiers	KJS KJSB	-301 DC 12V	16W	12V 10W	9	
		-302 DC 24V	35W	24V 10W	10	
		-310 AC 100V	23W	12V 5W	12	
		-312 AC 120V				
		-320 AC 200V				

# KJ / KJB

## Cube Tower

Model **DEB LED Lamp**  
**Recommended Product**  
 For more details on Model DEB Refer to the "Replacement Bulb" Section at the end of this Catalog




**Bulb**



**1 Alarm Sound**

**85dB at 1m (KJB)**

**IP23**

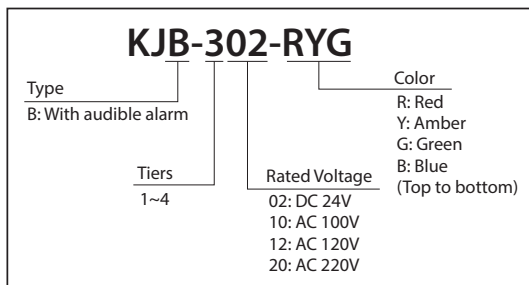
**□116**

## Lightweight Cube Tower featuring a built-in buzzer suitable for various indoor applications.

### FEATURES

- Built-in Alarm with intermittent buzzer sound and volume of up to 85dB (at 1m).
- Lens is made of superior weather-resistant and light-translucent AS resin.
- Rotating parabolic reflector to enhance visibility from a distance.
- Main body is made of impact and heat resistant ABS resin.
- Available colors are Red, Amber, Green, and Blue.
- Installation is in the upright position only.
- Flashing cycle of 130 times/min.
- One spare bulb is included.

### How to Order

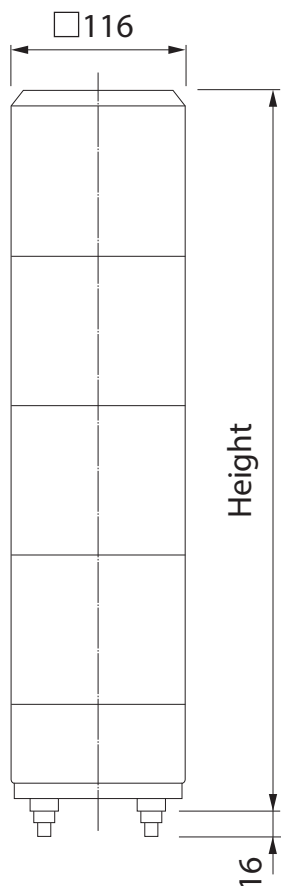


### Specifications

Stack Number	Model		Rated Voltage	Power Consumption	Flash Rate (fpm)	Bulb		
						Ratings	Repl. No.	
1 Tier	KJ	KJB	-102	DC 24V	13.5W	130	24V 10W	10
			-110	AC 100V	6W		12V 5W	12
			-112	AC 120V	7W			
			-120	AC 200V	5.5W			
2 Tiers	KJ	KJB	-202	DC 24V	25.54W	130	24V 5W	10
			-210	AC 100V	11W		12V 5W	12
			-212	AC 120V	13W			
			-220	AC 200V	9.9W			
3 Tiers	KJ	KJB	-302	DC 24V	37.5W	130	24V 10W	10
			-310	AC 100V	16W		12V 5W	12
			-312	AC 120V	18W			
			-320	AC 200V	14.3W			
4 Tiers	KJ	KJB	-402	DC 24V	49.5W	130	24V 10W	10
			-410	AC 100V	21W		12V 5W	12
			-412	AC 120V	26W			
			-420	AC 200V	18.7W			

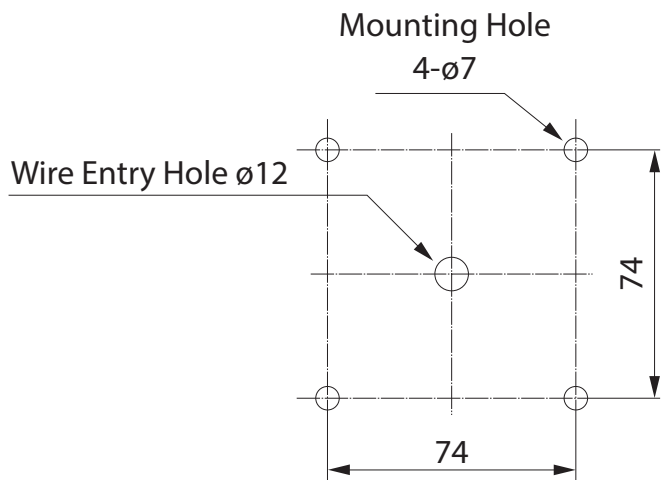


## Dimensions



Height  
 1 Tier : 185  
 2 Tiers: 290  
 3 Tiers: 395  
 4 Tiers: 500

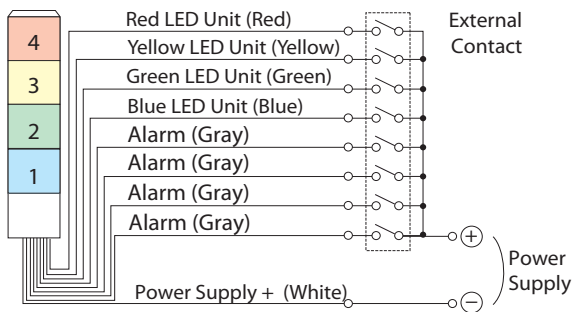
## Mounting Dimensions



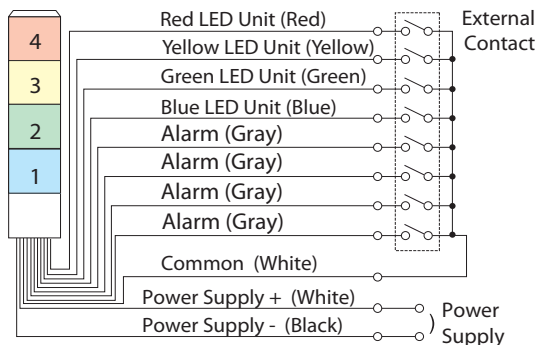
(Unit: mm)

## Wiring Diagram

KJ/KJB (24V DC)



KJ/KJB (100V AC, 220V AC)



- ⊖ KJ-110/112/120 are voltage-contact type, therefore have no alarm signal wires.
- ⊖ Only the KJB has Gray wires for alarm input.

Current Consumption and Contact Capacity per Module					
Rated Voltage	Signal Wire Current	Inrush Current	External Contact Capacity	Alarm Wire Current	Alarm Wire Inrush Current
24V DC	0.42A	4.6A	5A or more	60mA	500mA
100VAC/120VAC/220VAC					

MEMO

For more details, visit our website at <http://www.patlite.com>

# LED Light



# CLA

## LED Light Bar



Daylight, Amber  
Natural White



IP66G/67G/69K



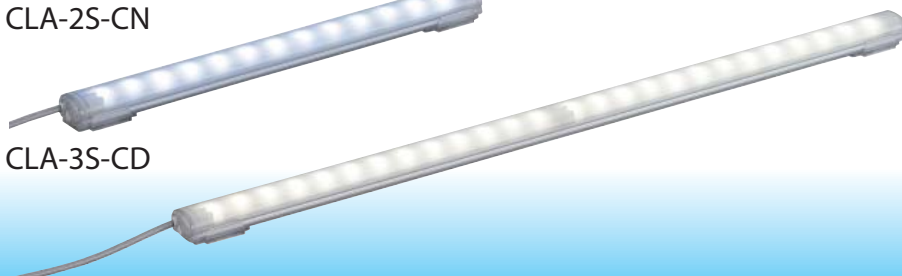
CLA-1S-Y



CLA-2S-CN



CLA-3S-CD



CLA-6S-CN

**More than a diffusion LED light bar, it can be used in places like the food-processing industry with its protection rating of "IP69K", which can endure high-pressurized hot water washing.**

- Bright, long lasting LED's.
- Suitable for food, beverage and pharmaceutical applications where high-pressure, 80°C high-temperature wash-downs are required. Also meets IP66/67 standards.
- The radiating temperature is reduced to 40 degrees or less (34% reduction in comparison to a 20W fluorescent light), increasing environmental efficiency.
- Seven lengths in the range from 100 to 1500mm to choose from, with three colors (Daylight, Natural White, Amber), and four types of attachments, including a magnet one, offering a potential for various applications.
- The operating temperature range from -40°C to +60°C allows installation in sub-freezing temperatures, such as walk-in freezers.
- It is constructed with strong polycarbonate resin, which is resistant to shock.
- Corresponds to Europe's RoHS Directive.
- Obtained certification for ECOLAB.
- Conforms to CE requirements.
- UL Listed (File No. E306141).

## Lumionous Color

With a high-intensity illumination, it is suitable for applications such as lighting-up processing machinery workspace or video inspection systems to help highlight more details, etc.



A 6800K daylight light bar at a distance of 50 cm from the center of irradiation has measured a maximum brightness of 400lx.



CLA-CN (Natural White: 4800K)



CLA-CD (Daylight: 6800K)

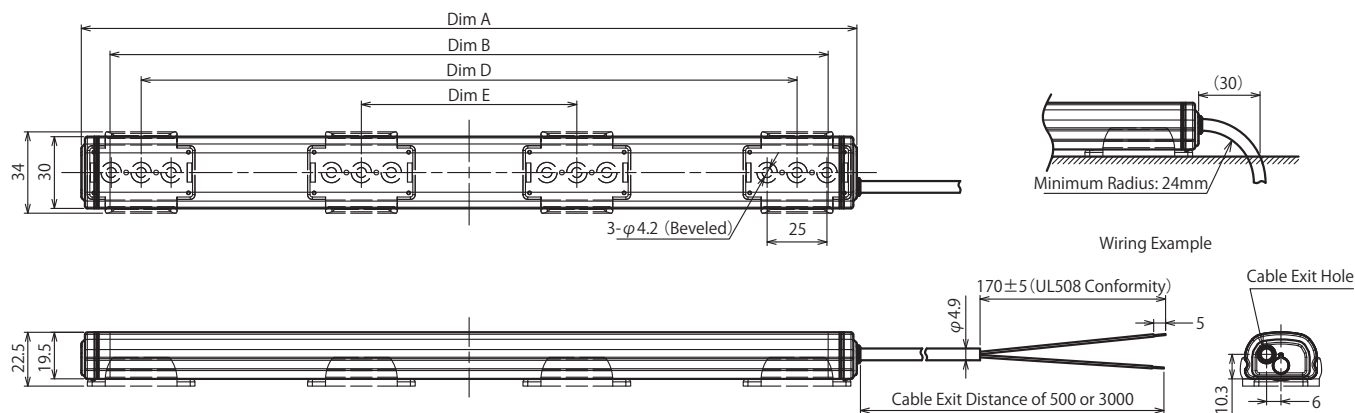


CLA-Y (Amber)

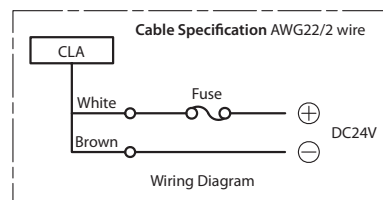
## How to Order

<b>CLA1S-24-CD-30</b>	
Light Bar Length	Cable Length
1 : 100mm	Blank : 0.5m
2 : 200mm	30 : 3.0m
3 : 300mm	
6 : 600mm	Luminous Color
9 : 900mm	-CD (Daylight)
12 : 1,200mm	-CN (Natural White)
15 : 1,500mm	-Y (Amber)
※ -Y is only available in 100mm and 300mm lengths.	

## Dimensions



Model Name	Dim A	Dim B	Dim D	Dim E	Standard Bracket SZ-310AR
	Total Length	Lighting Area	Mounting Pitch	Mounting Pitch	
CLA1S	124	100	74	—	2 pcs.
CLA2S	224	200	174	—	
CLA3S	324	300	274	—	
CLA6S	624	600	574	—	
CLA9S	924	900	874	290	4 pcs.
CLA12S	1,224	1,200	1,174	390	
CLA15S	1,524	1,500	1,474	490	



## Options



Standard

Rear Attachment  
(Screw Mount)  
Model SZ-310AR



Option

Rear Attachment  
(Magnetic Mount)  
Model SZ-310ARM



Option

Side Attachment  
(Screw Mount)  
Model SZ-310AS



Option

Side Attachment  
(CLB-24N Compatible)  
Model SZ-310ASB

## Specifications

Model	Luminous Color	Rated Voltage	Vibration Resistance	Operating Temperature Range	Rated Current Consumption	Center Radiation (lx/50cm)	Main Body Material	Protection Rating	Mass
CLA1S -24 -CD	Daylight	DC 24V (Polarized)	19.6 m/s <sup>2</sup>	-40°C - +60°C (RH 90% or less)	104mA	140	Polycarbonate	IP66/67/69K	80g
CLA1S -24 -CN	Natural White					78			
CLA1S -24 -Y	Amber				208mA	270			
CLA2S -24 -CD	Daylight								
CLA2S -24 -CN	Natural White								
CLA3S -24 -CD	Daylight				240mA	400			
CLA3S -24 -CN	Natural White								
CLA3S -24 -Y	Amber				480mA	650			
CLA6S -24 -CD	Daylight								
CLA6S -24 -CN	Natural White				720mA	810			
CLA9S -24 -CD	Daylight								
CLA9S -24 -CN	Natural White								
CLA12S -24 -CD	Daylight				960mA	890			
CLA12S -24 -CN	Natural White								
CLA15S -24 -CD	Daylight				1,200mA	945			
CLA15S -24 -CN	Natural White								

# CLK

## LED Light Bar



Daylight  
Natural White

IP66G/67G/69K

M-12 Daisylink

(Cable not included)

## Water, Oil and Chemical Resistant LED Light Bar with an Illuminance of 2,100lx. (Measurement based on CLK6S-24AG-CD)

### FEATURE

- Attained the IP69K standard for the meat/food processing, beverages and medicine manufacturing industries which demands the waterproofing performance. It also corresponds to IP66G/67G standards.
- Special design to reduce "Blinding Light" effect, reducing the risk of retinal damage (EN62471-2 for Photobiological Safety of Lamps and Lamp Systems).
- The product lineup includes three sizes (200mm, 300mm, 600mm), two colors (Daylight, Natural White), and different series (Side-exit Cable; M12 Quick-disconnect; Aluminum Alloy and Stainless Steel Body) for various applications.
- The operating temperature range from -40°C to +60°C allows installation in sub-freezing temperatures, such as walk-in freezers.
- Slim Profile
- Corresponds to Europe's RoHS Directive.
- Conforms to CE requirements.
- UL Listed (File No. E306141).

### Specifications

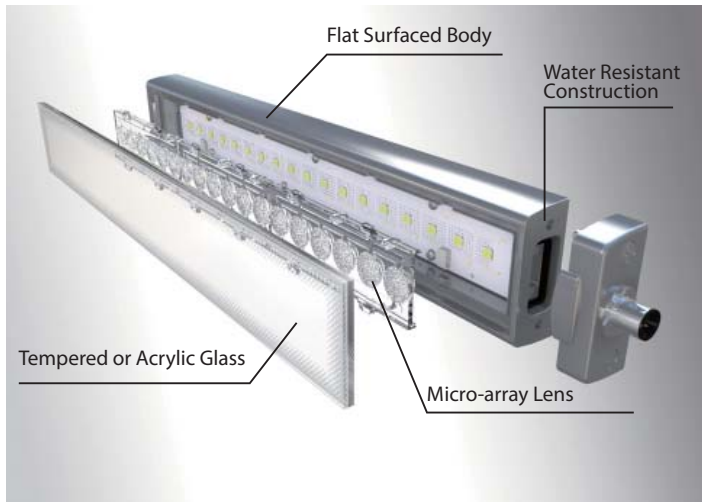
Specifications/Material	Water and Oil Resistance/Aluminum Alloy							Water and Chemical Resistance/ SUS316 Stainless Steel	
	2S-AG	3S-AG	6S-AG	3C-AG	3CL-AG	6C-AG	6CL-AG	3C-SG	3C-SA
Lens Material	Tempered Glass							Specially-treated Lens <sup>∠</sup>	
Model	2S-AG	3S-AG	6S-AG	3C-AG	3CL-AG	6C-AG	6CL-AG	3C-SG	3C-SA
Lens Size	200mm	300mm	600mm	300mm			600mm	300mm	
LED Color	Daylight: 6,500K: CD	●	●	●	●	●	●	●	—
	Natural White: 5,000K: CN	△	●	△	●	●	—	—	●
Center Illumination (@1m)	820lx	1,200lx	2,100lx	1,200lx			2,100lx	1,200lx	
Connection Type	Side-exiting Cable, L=0.5m			M12 Quick Disconnect	M12 Daisy Link	M12 Quick Disconnect	M12 Daisy Link	M12 Quick Disconnect	
Power Consumption	8.4W	12.5W	25W	12.5W			25W	12.5W	
Rated Voltage	DC 12V (Polarized)								
Operating Temperature Range	-40°C - +60°C (RH 90% or less)								
Protection Rating	IP 66G/67G (IEC 60529)/IP69K (DIN 40050 Part 9)								

△ : Inquire before Ordering

∠ : Specially-treated lens has three layers embedded; PMMA, Shatter-proof Film, Tempered Glass

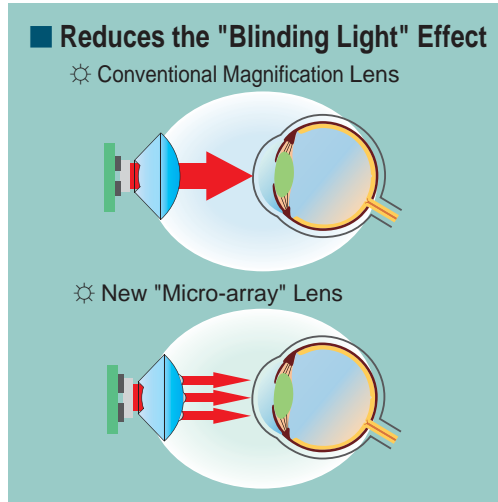
### How to Order

Model Code	Illumination Area Size 2: 200mm 3: 300mm 6: 600mm	Model	CLK	-24	-	LED Color CD: Daylight, CN: Natural White
Wiring Method S: Side-exiting Cable C: M12 Cable CL: M12 Daisy Link						Body Material AG: Aluminum & Glass SG: Stainless Steel & Glass SA: Stainless Steel & Special Lens



### Angled Body and Flat Surface

The side body angle was designed to prevent dirt accumulation, and for water and oil to roll off the surface. The LED lens retains a simple flat-surface for lighting and to help when wiping it down.



### Reduces the "Blinding Light" Effect

This design conforms to the Photobiological Safety of Lamps and Lamp Systems (Compliance :EN62471- 2) in the Exempt Risk Group, which determines that no immediate retina damage is done.



### One-touch Installation

Just sliding the body onto the bracket makes attachment easy; and it locks in place with a locking screw (which is hidden from the front). (Aluminum Body Only)

### Angle Adjustment Bracket

The Worklight can be freely adjusted up to 60° up and down from the center. (With a scale at 10° step marks and screws to lock it into place.)

### Surface-mounting Bracket

A space-saving flush-mount bracket. (Limited board thickness and lead wire specification of 6mm or less; M12 connector specification of 3mm or less) (Models 3 S-AG/3 C-AG Only)

### CLK-001



### SZ-320KS



### SZ-330KP



### M12 Quick Disconnect

4-wire M12 Socket Cable, 5m (No. 1536308)  
4-wire M12 SUS Socket Cable, 5m (No. 1552447)



Manufacturer: Phoenix Contact Corp

### Daisy Link at a maximum of 5 Units

4-wire M12 Link Cable, 0.6m (No. 1518892)  
4-wire M12 SUS Link Cable, 0.6m (No. 1552638)



Manufacturer: Phoenix Contact Corp

## Product Lineup

Specifications Length	Side-exiting Cable Series (S)	M12 Quick Disconnect Series (C)	M12 Quick Disconnect Daisy Link Series (CL)	Stainless Steel (SUS) Body Series (C-SG/C-SA)
200 mm	2S 6500K 5000K	—	—	—
300 mm	3S 6500K 5000K	3C 6500K 5000K	3CL 6500K 5000K * Up to 4 units	3C 6500K 5000K SUS & Special Lens
600 mm	6S 6500K	6C 6500K 5000K	6CL 6500K 5000K * Only 1 Unit	—

# MEMO

For more details, visit our website at <http://www.patlite.com>



# Alarm Products





## Signal Horn



90dB at 1m (BM-H Type)

2 Channels

IP34 (BM-D Front Only)

Ø30

NPN/PNP  
Open-collector



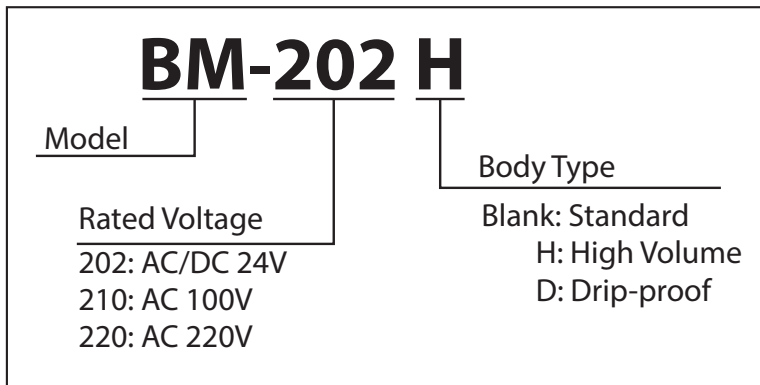
## Compact Signal Horn designed to integrate with control panel, switchboard and other production equipment applications.

### FEATURES

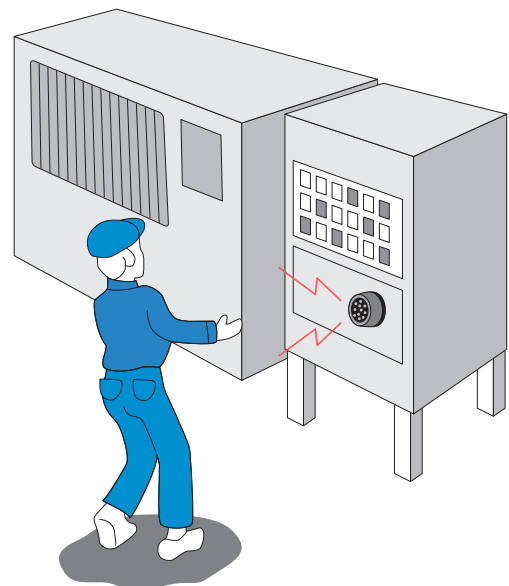
- Built-in Alarm with an audible sound of up to 90dB (at 1m\*1).
- Has two selectable alarm sound patterns.
- Three Types to choose from; Standard (BM), High Volume (BM-H), Drip-proof (BM-D)
- Body is compact and lightweight (100g).
- The 24V type is compatible with NPN and PNP inputs.
- Has the CE mark and conforms to the requirements for the EC directive. (For AC/DC 24V only.)

\*1 Model BM-H: 90dB (at 1m); Model BM: 85dB (at 1m); Model BM-D: 80dB (at 1m)

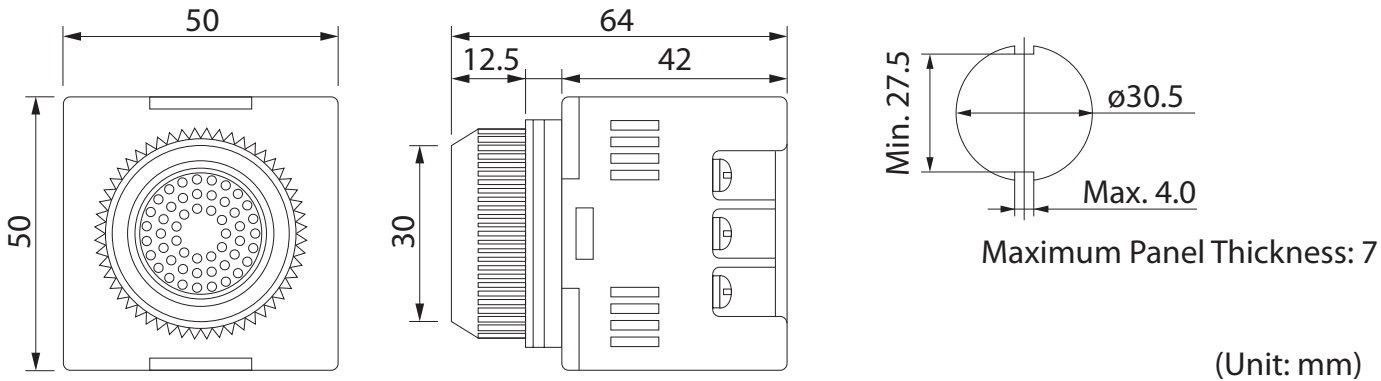
### How to Order



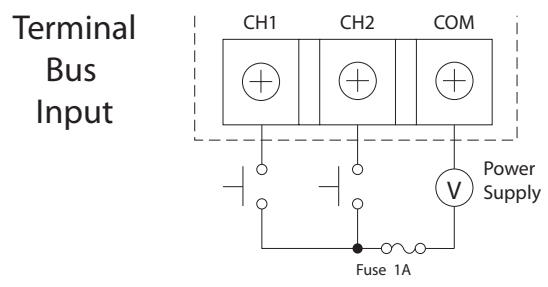
### Application Example



## Dimensions

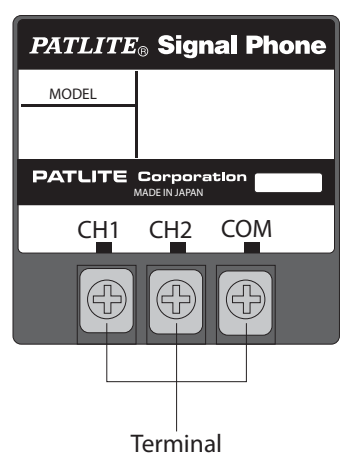


## Wiring



- Channel Priority  
 CH1 > CH2  
 CH1 has priority when CH2 and CH1 are activated simultaneously

## Rear View



External Contact Capacity : No less than 100mA
Auxiliary Input : Voltage Contact
Input Channels : 2

## Specifications

Type	Model	Rated Voltage	Voltage Range	Power Consumption	Max. Volume (at 1m)	Operating Temperature Range	Protection Rating	Mass
Standard	BM -202	AC/DC 24V	AC/DC 22V-26V	0.4W	80dB	-10°C - +60°C (RH 85% or less)	—	100g
	BM -210	AC 100V	AC 90V-110V	2.5W	85dB			
	BM -220	AC 220V	AC 200V-240V	3.5W				
High Volume	BM -202H	AC/DC 24V	AC/DC 22V-26V	0.4W	85dB			
	BM -210H	AC 100V	AC 90V-110V	2.5W	90dB			
	BM -212H	AC 120V	AC 108V-132V					
Drip-proof	BM -220H	AC 220V	AC 200V-240V	3.5W				
	BM -202D	AC/DC 24V	AC/DC 22V-26V	0.4W	75dB		IP34	
	BM -210D	AC 100V	AC 90V-110V	2.5W	80dB			
BM -220D	AC 220V	AC 200V-240V	3.5W					



# BD

## Audible Alarm



90dB at 1m

4 Channels / 32 Sounds

IP54

80

NPN Open-collector



## The BD Series can play melodies, chimes and alarms with variable audible control and a compact, but loud speaker.

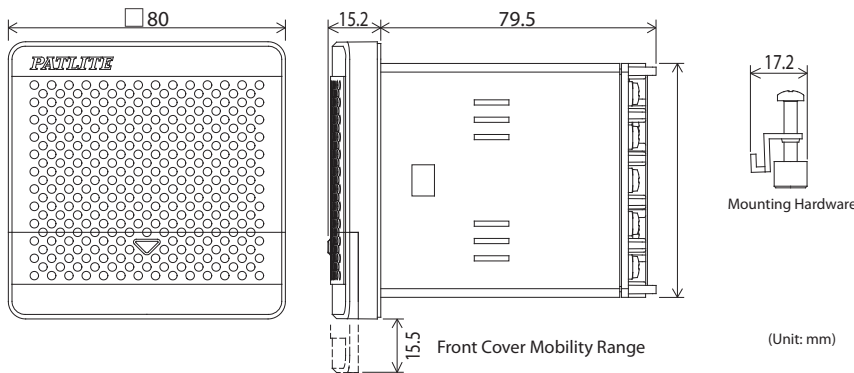
### FEATURES

- Maximum output level of 90dB (at 1m) is suitable for use in a noisy factory.
- 32 pre-recorded sounds in one unit to be used for various applications.
- Sound output level and sound group can be selected by rotary switches stored behind the front panel for easier operation, even after installation.
- Select a sound group to playback 4 pre-recorded sounds.
- A new sound group can be created from the 32 sounds by using an optional memory card (sold separately).
- Compliant with the RoHS directive
- Has the CE mark and conforms to the requirements (for 12V/24V type) for the EC directive.
- Is a UL recognized component (File No. E24210).

### AVAILABLE BY SPECIAL ORDER

- Binary input controlled 15 sound playback model.
- PNP open collector transistor type.

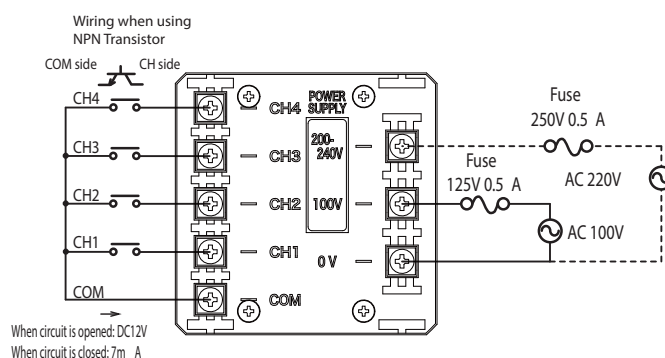
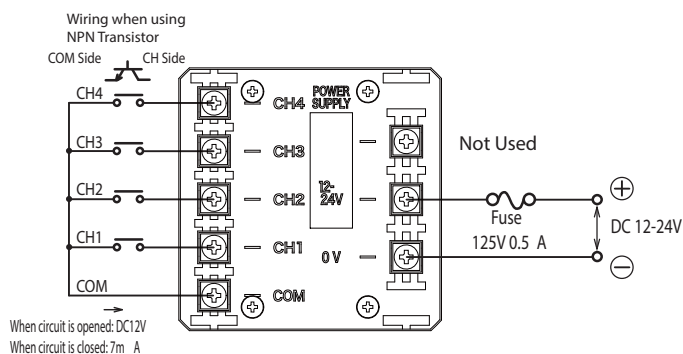
### Dimensions



### How to Order

<b>BD-24A-J</b>	
Rated Voltage	Color
24 : DC 24V 100: AC 100V/220V	J: Ivory White K: Dark Gray
Sound Type	
A: Type A* C: Type C* D: Type D* E: Type E	
*Copyright laws limits availability to Japan only.	





## Melody List

Type A		(Japan Only)	
Beep (slow intermittent)	Stutter (rapid intermittent)	Bell (clear high-pitch)	Yelp (rapid siren)
Rapid Hi-Lo	Melody Chime	Synthesized Piano	Synthesized Bell
Stutter + Bell	Synthesized Melody Chime	Chime	Call Sign
Fur Elise	Maiden's Prayer	Bach Minuet in Gmaj	Annie Laurie
London Bridge is falling down	Hol-di-ri-Dia	Mary had a little Lamb	Camptown Races
Cuckoo Song	Village Blacksmith	On the Bridge of Avignon	Daydream Believer
Amaryllis	Mozart Symphony No. 40	Quiet Lakeside	Ich bin ein Musikante
Spanish Romance	Katyusha	Grandfather's Clock	Ave Maria

Type D		(Japan Only)	
Beep (slow intermittent)	Stutter (rapid intermittent)	Bell (clear high-pitch)	Yelp (rapid siren)
Rapid Hi-Lo	Melody Chime	Synthesized Piano	Synthesized Bell
Runner	Mamotte Agetai	Chime	Call Sign
Iribiao Kikinagara	September	Doyoubino Koibito	Akino Kehai
Saafu Tengoku Sukii Tengoku	Iro White-blend	Happy Birthday	Hi Ho
I've been working on the Railroad	The Bear Song	Toys Go "Cha-cha-cha"	Konnako Irukana
Schubert's Lullaby	Rudolph the red-nosed Reindeer	She Wore a Yellow Ribbon	My Darling, Clementine
Yellow Rose of Texas	Yankee Doodle	When the Saints Go Marching In	Londonderry Air

Type C		(Japan Only)	
Beep (slow intermittent)	Stutter (rapid intermittent)	Bell (clear high-pitch)	Yelp (rapid siren)
Rapid Hi-Lo	Melody Chime	Synthesized Piano	Synthesized Bell
Stutter + Bell	Synthesized Melody Chime	Chime	Call Sign
Can't take my eyes off of you	Top of the World	The Entertainer	Amazing Grace
Amairono Kamino Otome	Les Champs-Elysees	Canon	Rara Sunshine
Uchuusenkan Yamamoto	Oshiete	Makenaide	Gonna Fly Now (Theme from 'Rocky')
I don't Wanna Miss a Thing	Yozorano Mukou	Aiwa Katsu	Haruyo Koi
Gattsudaze	Odorou Ponpokorin	Imasugu Kisu Mi	Truth

Type E		(Worldwide)	
Beep (slow intermittent)	Stutter + Bell	Inverted Reveille	Annie Laurie
Stutter (rapid intermittent)	Melody Chime	Galactic Motor	London Bridge is falling down
Bell (clear high-pitch)	Chime	Ringling Phone	Mary had a little Lamb
Yelp (rapid siren)	Call Sign	Two Tone	Camptown Races
Rapid Hi-Lo	Train Ride	Alarm Clock	Amaryllis
Melody Chime	Galloping Hi-Lo	Ringling Hi-Lo	Mozart Symphony No. 40
Synthesized Piano	Alien Chatter	Fur Elise	Ave Maria
Synthesized Bell	Falling Crystals	Bach Minuet in Gmaj	Grandfather's Clock

## Specifications

Model	BD-24 □	BD-100 □
Rated Voltage	DC 12V - 24V	AC 100V/AC 220V (50/60Hz)
Operating Voltage Range	DC 10.8V- 26.4V	AC 100V ±10%/AC 200V ±10%
Operating Temperature Range	-20°C - +50°C	
Relative Humidity	85% RH (No Condensation)	
Power Consumption	Maximum 4W	Maximum 6W
Volume	Adjustable up to a maximum of 90dB (at 1m) when flushmounted. (Volume may be less, depending on surrounding environment and playback sound)	
Input Method	Bit Input	
Input Signal Duration	Continuous	
Boot-up Time	Input Voltage: 1 sec. or less	Channel Signal Input: 170msec or less
Channels	4 Channels	
Recorded Sound	32 Melodies and Alarm Sounds	
Sound Group	16 Patterns (A to P)	
Protection Rating	IP54 (When flush-mounted, Upright direction Only)	
Vibration Resistance	19.6m/s <sup>2</sup>	
Mass	205 g ±10%	325 g ±10%

### Use of Copyrighted Material

PATLITE Corporation has not applied for permission to use certain copyrighted music or songs recorded for Type-A, Type-C, and Type-D melody charts outside of Japan. Therefore, please contact the local copyright association for permission before using the product in case this product is used outside of Japan. Melody charts Type-E is recommended for use outside of Japan as this playlist does not include copyrighted music or songs, and permission is not required.



## Audible Alarm



- 95dB at 1m
- 8 Channels / 32 Sounds
- IP54
- 120
- NPN  
Open-collector

## The BK Series can play melodies, chimes and alarms with variable audible control and a compact but loud speaker.

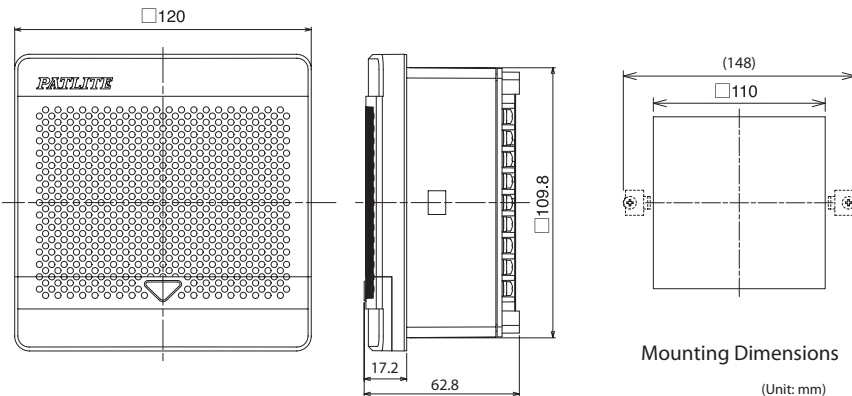
### FEATURES

- 32 pre-recorded sounds in one unit to be used for various applications.
- Maximum output level of 90dB (at 1m) is suitable for use in a noisy factory.
- Rotary switch to easily change sound groups and adjust volume output from the front panel, even after installation.
- Use bit input to select a sound group to playback 8 pre-recorded sounds.
- A new sound group can be created from the 32 sounds by using an optional memory card (sold separately).
- Compliant with the RoHS directive
- Has the CE mark and conforms to the requirements (for 12V/24V type) for the EC directive.
- Is a UL recognized component (File No. E24210).

### AVAILABLE BY SPECIAL ORDER

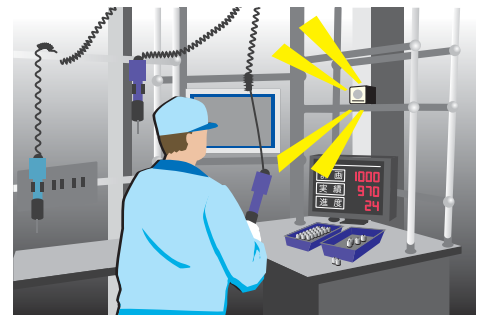
- PNP open collector transistor type.

### Dimensions



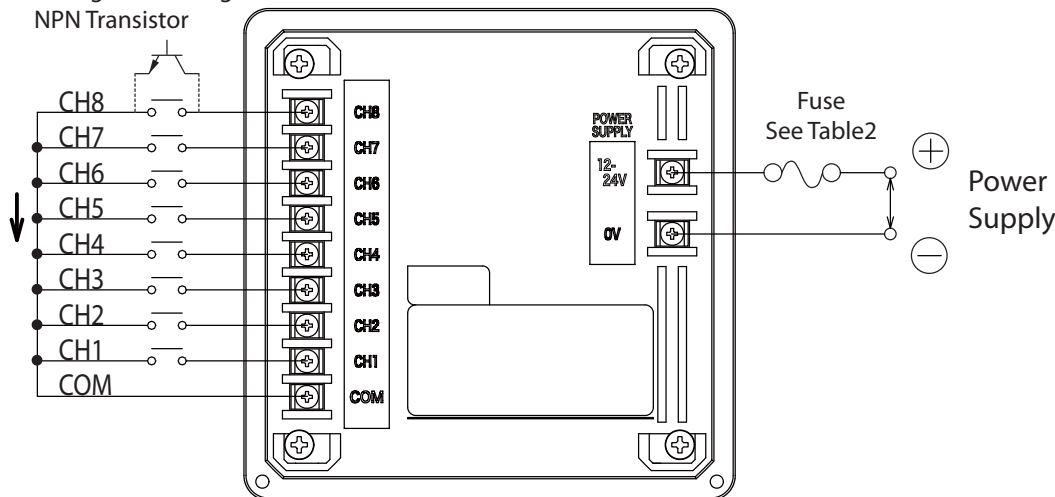
### How to Order

<b>BK-24A-J</b>	
Model	Color
Rated Voltage	J: Light Gray K: Dark Gray
24 : DC 12-24V 100: AC 100V 220: AC 220V	Sound Type
	A: Type A* C: Type C* D: Type D* E: Type E
*Copyright laws limits availability to Japan only.	



# Wiring

Wiring when using NPN Transistor



# Melody List

Type A		(Japan Only)	
Beep (slow intermittent)	Stutter (rapid intermittent)	Bell (clear high-pitch)	Yelp (rapid siren)
Rapid Hi-Lo	Melody Chime	Synthesized Piano	Synthesized Bell
Stutter + Bell	Synthesized Melody Chime	Chime	Call Sign
Fur Elise	Maiden's Prayer	Bach Minuet in Gmaj	Annie Laurie
London Bridge is falling down	Hol-di-ri-Dia	Mary had a little Lamb	Camptown Races
Cuckoo Song	Village Blacksmith	On the Bridge of Avignon	Daydream Believer
Amaryllis	Mozart Symphony No. 40	Quiet Lakeside	Ich bin ein Musikante
Spanish Romance	Katyusha	Grandfather's Clock	Ave Maria

Type D		(Japan Only)	
Beep (slow intermittent)	Stutter (rapid intermittent)	Bell (clear high-pitch)	Yelp (rapid siren)
Rapid Hi-Lo	Melody Chime	Synthesized Piano	Synthesized Bell
Runner	Mamotte Agetai	Chime	Call Sign
Iribiao Kikinagara	September	Doyoubino Koibito	Akino Kehai
Saafu Tengoku Sukii Tengoku	Iro White-blend	Happy Birthday	Hi Ho
I've been working on the Railroad	The Bear Song	Toys Go "Cha-cha-cha"	Konnako Irukana
Schubert's Lullaby	Rudolph the red-nosed Reindeer	She Wore a Yellow Ribbon	My Darling, Clementine
Yellow Rose of Texas	Yankee Doodle	When the Saints Go Marching In	Londonderry Air

Type C		(Japan Only)	
Beep (slow intermittent)	Stutter (rapid intermittent)	Bell (clear high-pitch)	Yelp (rapid siren)
Rapid Hi-Lo	Melody Chime	Synthesized Piano	Synthesized Bell
Stutter + Bell	Synthesized Melody Chime	Chime	Call Sign
Can't take my eyes off of you	Top of the World	The Entertainer	Amazing Grace
Amairono Kamino Otome	Les Champs-Elysees	Canon	Rara Sunshine
Uchuusenkan Yamamoto	Oshiete	Makenaide	Gonna Fly Now (Theme from "Rocky")
I don't Wanna Miss a Thing	Yozorano Mukou	Aiwa Katsu	Haruyo Koi
Gattsudaze	Odorou Ponpokorin	Imasugu Kisu Mi	Truth

Type E		(Worldwide)	
Beep (slow intermittent)	Stutter + Bell	Inverted Reveille	Annie Laurie
Stutter (rapid intermittent)	Melody Chime	Galactic Motor	London Bridge is falling down
Bell (clear high-pitch)	Chime	Ringling Phone	Mary had a little Lamb
Yelp (rapid siren)	Call Sign	Two Tone	Camptown Races
Rapid Hi-Lo	Train Ride	Alarm Clock	Amaryllis
Melody Chime	Galloping Hi-Lo	Ringling Hi-Lo	Mozart Symphony No. 40
Synthesized Piano	Alien Chatter	Fur Elise	Ave Maria
Synthesized Bell	Falling Crystals	Bach Minuet in Gmaj	Grandfather's Clock

# Specifications

Model	BK-24 □	BK-100 □	BK-220 □
Rated Voltage	DC 12V-24V	AC 100V (50/60Hz)	AC 220V (50/60Hz)
Operating Voltage Range	DC 10.8V- 26.4V	AC 100V ±10%	AC 200V ±10%
Operating Temperature Range	-20°C - +50°C		
Relative Humidity	85% RH (No Condensation)		
Power Consumption	Maximum 4W	Maximum 5W	
Volume	Adjustable up to a maximum of 90dB (at 1m) when flushmounted. (Volume may be less, depending on surrounding environment and playback sound)		
Input Method	Bit Input		
Input Signal Duration	Continuous		
Boot-up Time	Input Voltage: 1 sec. or less Channel Signal Input: 170msec or less		
Channels	4 Channels		
Recorded Sound	32 Melodies and Alarm Sounds		
Sound Group	16 Patterns (A to P)		
Protection Rating	IP54 (When flush-mounted, Upright direction Only)		
Vibration Resistance	19.6m/s <sup>2</sup>		
Mass	205 g ±10%	325 g ±10%	

## Use of Copyrighted Material

PATLITE Corporation has not applied for permission to use certain copyrighted music or songs recorded for Type-A, Type-C, and Type-D melody charts outside of Japan. Therefore, please contact the local copyright association for permission before using the product in case this product is used outside of Japan. Melody charts Type-E is recommended for use outside of Japan as this playlist does not include copyrighted music or songs, and permission is not required.

# EWHS

## Signal Horn



**105**dB at 1m

**1** Channel / **32** Sounds

**IP65** (Available by Special Order)

**Cable**



**NPN/PNP**  
**Open-collector**



**Original wide horn design featuring a high volume of up to 105dB (at 1m), designed for use in noisy environments.**

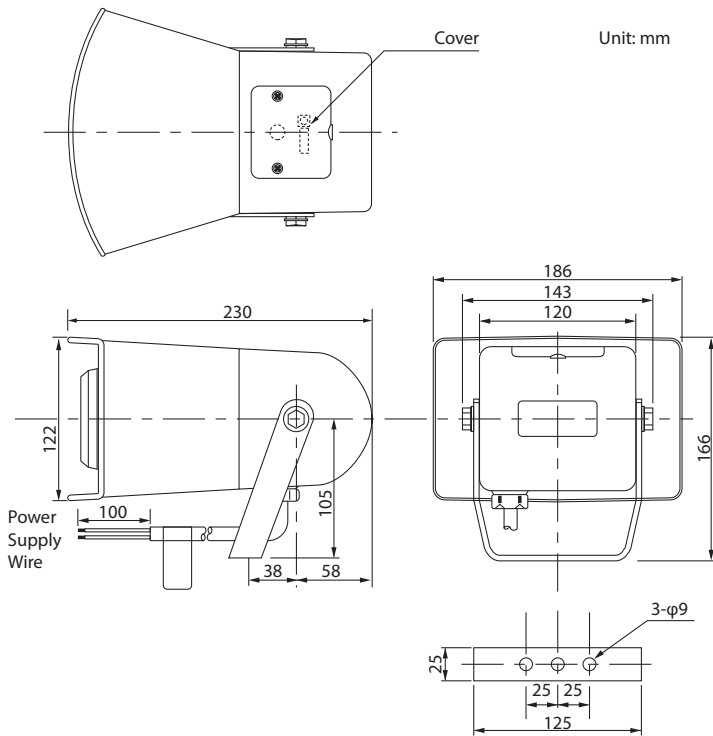
### FEATURES

- Select 1 channel from the 32 pre-recorded sounds using the built-in DIP Switch.
- Enhanced for durability and safety in the work environment.
- Adjustable audible sound of up to 105dB (at 1m) with volume control.
- Indoor installation for upright, inverted and sideways position; upright only for outdoors. (Do not install with the horn facing upward).
- Has the CE mark and conforms to the requirements (for 12V, 24V type) for the CE directive.
- Anti-corrosive stainless steel mounting bracket makes installation easier.

## Specifications

Model	Rated Voltage	Voltage Range	Power Consumption	Protection Rating	Operating Temperature Range	Sound Pressure (at 1m)	External Contact Capacity	Channel Inputs	Mass	
EWHS	EWHS -24	AC/DC 12-24V	AC 8 - 28V DC 9 - 35V	8W	IP54 (IP65 by Special Order)	-20°C to +60°C 85% RH or less	105dB	5A or more	1CH	1.2kg
	EWHS -48	DC 48V	DC 35 - 60V	10W						
	EWHS -100	AC 100V	AC 90 - 132V	12W						
	EWHS -200	AC 200V	AC 180 - 260V	13W						1.4kg





**EWHS-24A-J**

<b>Model</b> EWHS: 1 channel	<b>Body Color</b> J: Ivory White Y: Yellow R: Red
<b>Rated Voltage</b> 24 : AC/DC 12/24V 48 : DC 48V 100: AC 100V 200: AC 200V	<b>Sound Type</b> A: Type A* C: Type C* D: Type D* E: Type E

\*Copyright laws limits availability to Japan only.

### Use of Copyrighted Material

PATLITE Corporation has not applied for permission to use certain copyrighted music or songs recorded for Type-A, Type-C, and Type-D melody charts outside of Japan. Therefore, please contact the local copyright association for permission before using the product in case this product is used outside of Japan. Melody charts Type-E is recommended for use outside of Japan as this playlist does not include copyrighted music or songs, and permission is not required.

### Type A (Japan Only)

Beep (slow intermittent)	Stutter (rapid intermittent)	Bell (clear high-pitch)	Yelp (rapid siren)
Rapid Hi-Lo	Melody Chime	Synthesized Piano	Synthesized Bell
Stutter + Bell	Synthesized Melody Chime	Chime	Call Sign
Fur Elise	Maiden's Prayer	Bach Minuet in Gmaj	Annie Laurie
London Bridge is falling down	Hol-di-ri-Dia	Mary had a little Lamb	Campdown Races
Cuckoo Song	Village Blacksmith	On the Bridge of Avignon	Daydream Believer
Amaryllis	Mozart Symphony No. 40	Quiet Lakeside	Ich bin ein Musikante
Spanish Romance	Katyusha	Grandfather's Clock	Ave Maria

### Type D (Japan Only)

Beep (slow intermittent)	Stutter (rapid intermittent)	Bell (clear high-pitch)	Yelp (rapid siren)
Rapid Hi-Lo	Melody Chime	Synthesized Piano	Synthesized Bell
Runner	Mamotte Agetai	Chime	Call Sign
Iribiao Kikinagara	September	Doyoubino Koibito	Akino Kehai
Saafu Tengoku Sukii Tengoku	Iro White-blend	Happy Birthday	Hi Ho
I've been working on the Railroad	The Bear Song	Toys Go "Cha-cha-cha"	Konnako Irukana
Schubert's Lullaby	Rudolph the red-nosed Reindeer	She Wore a Yellow Ribbon	My Darling, Clementine
Yellow Rose of Texas	Yankee Doodle	When the Saints Go Marching In	Londonderry Air

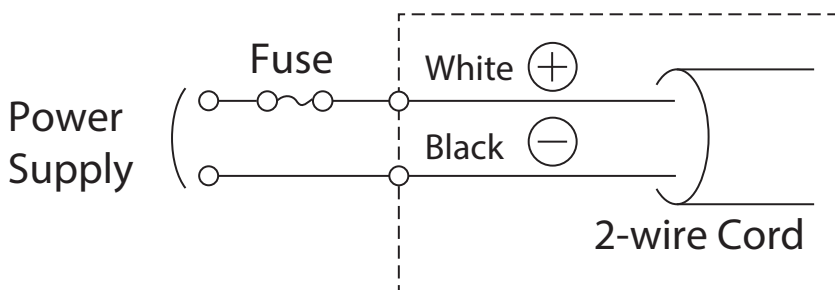
### Type C (Japan Only)

Beep (slow intermittent)	Stutter (rapid intermittent)	Bell (clear high-pitch)	Yelp (rapid siren)
Rapid Hi-Lo	Melody Chime	Synthesized Piano	Synthesized Bell
Stutter + Bell	Synthesized Melody Chime	Chime	Call Sign
Can't take my eyes off of you	Top of the World	The Entertainer	Amazing Grace
Amairono Kamino Otome	Les Champs-Elysees	Canon	Rara Sunshine
Uchuusenkan Yamamoto	Oshiete	Makenaide	Gonna Fly Now (Theme from "Rocky")
I don't Wanna Miss a Thing	Yozorano Mukou	Aiwa Katsu	Haruyo Koi
Gattsudaze	Odoru Ponpokorin	Imasugu Kisu Mi	Truth

### Type E (Worldwide)

Beep (slow intermittent)	Stutter + Bell	Inverted Reveille	Annie Laurie
Stutter (rapid intermittent)	Melody Chime	Galactic Motor	London Bridge is falling down
Bell (clear high-pitch)	Chime	Ringin Phone	Mary had a little Lamb
Yelp (rapid siren)	Call Sign	Two Tone	Campdown Races
Rapid Hi-Lo	Train Ride	Alarm Clock	Amaryllis
Melody Chime	Galloping Hi-Lo	Ringin Hi-Lo	Mozart Symphony No. 40
Synthesized Piano	Alien Chatter	Fur Elise	Ave Maria
Synthesized Bell	Falling Crystals	Bach Minuet in Gmaj	Grandfather's Clock

# Wiring



MEMO

For more details, visit our website at <http://www.patlite.com>

# Voice & Sound





Model EHV



Model BSV



Model BDV



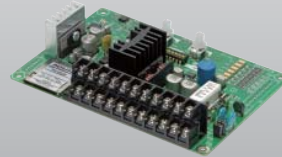
Model BKV



Model LKEH



Model RFV



Model FV-127JP

## STEP 1

### Get the New Playlist Editor 2

The Playlist Editor 2 is free from PATLITE. Download the PATLITE Playlist Editor 2 from our Global Home Page, or contact us by E-mail, which can be located on the back of this catalog.

## STEP 2

### Get the Recommended SD Card (Model SDV-2GP)

The SDV-2GP is an SD Card approved and supplied by PATLITE. (The PATLITE Corporation is a member of the SD Card Association.)

## STEP 3

### Create the MP3 messages

Convert any message into MP3 data.  
(Remove "ID3" tags and be sure the sample rate is the standard rate of 64kb/sec for PATLITE products and the SD Card is formatted for "FAT16".)

## STEP 4

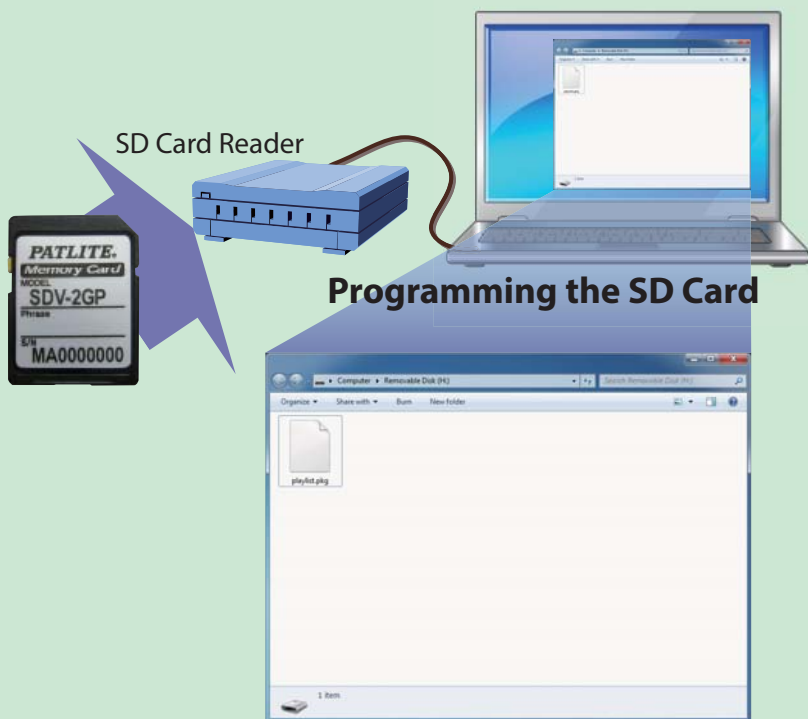
### Save the MP3 messages on the SD Card

Use the Playlist Editor 2 to create a playlist and save it on an SD Card. (Refer to the product manual for detailed information)

## STEP 5

### Load the MP3 Data into the Product

Programming can be done right out in the field!  
Insert the SD Card into the Product's SD Card slot and listen for the Beep that tells it's programming (Refer to the product manual for detailed information on programming).



**Programming the SD Card**

**PATLITE Playlist Editor 2**

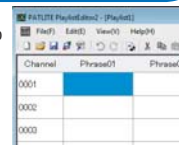
**Create any Playlist using Playlist Editor2**  
 With PATLITE's downloadable Playlist Editor2 from the Web, and most Windows OS software;

**Playlist Editor 2 Overview**

1. Decide on the sounds and messages for Channels and Phrases
2. Start the Software.



1. Insert the sound or message files into appropriate channels and phrases
2. Save as "playlist.slp" after all files are installed
3. The playlist creation is completed.



**Get the Necessary Items:**

1. An SD Card to save the data onto for rewriting (Recommended Parts : option part SDV-2GP)
  2. Personal Computer with all hardware operating normally.
  3. SD card reader/writer (if one is not built inside the personal computer)
  4. Application Software (PATLITE Playlist Editor 2)  
 Corresponding OS: Windows® XP, Windows Vista™ 32 bits/64 bit, Windows® 7 32bit/64 bit, Windows® 8 32bit/64 bit.
- \* Writing data onto the SD Card with a computer can be done without the PATLITE Playlist Editor 2, but some functions may be limited. (Refer to the product manual for mor-e details)

**Example (EHV)**

1. Remove the cover to access the SD Card Slot. (Refer to the product manual for more details)
2. After inserting the SD Card with the stored data into the slot, a high-low beep will sound to indicate rewriting has begun.
3. When a short beep sound is heard, it indicates the rewriting sequence is complete and the SD Card can be removed from the slot.  
 \* Rewriting should be completed within 60 seconds. The rewriting is not successfully completed if beeping sounds other than indicated above are heard, or when there is no response (Refer to the product manual for more details). In addition, if the volume has been minimized, the beeping sounds cannot be heard.
4. Playback the channels to verify the rewriting has been successful. (Refer to the product manual for more details)

Table: Corresponding Application Software

Application Software	Usable	Outline
PATLITE Playlist Editor 2	All PATLITE Products	This is a newer version of the PATLITE Playlist Editor. A playlist package can be created and the MP3 data and channel function assignment for the product can be rewritten.
FV-Win	Limited PATLITE Products (Products prior to the EHV)	This product is not compatible with the playlist created by FV-Win or the PATLITE Playlist Editor. However, the playlist can be changed into a playlist package using the PATLITE Playlist Editor 2.
PATLITE Playlist Editor		

**Caution**

- FV-Win or the PATLITE Playlist Editor can only be used with certain models, but the PATLITE Playlist Editor 2 will work with all PATLITE products.

**Please**

- It is recommended to use Model SDV-2GP (sold separately). Proper operation is not guaranteed with other SD Cards.
- When inserting the SD Card into the slot, be sure to insert it in the proper direction and do not forcibly insert the card. Failure to comply will result in damage to the SD Card and/or product.
- Avoid the intrusion of any foreign substances from entering the card slot.
- While rewriting the messages, do not disconnect power or remove the SD Card.

**Note**

- If the SD Card was inserted during message playback, the rewriting procedure will commence soon after the message completes its playback.
- During the message rewrite, any signal inputs on the Audio Input line will be ignored.



Model BSV



Model BDV



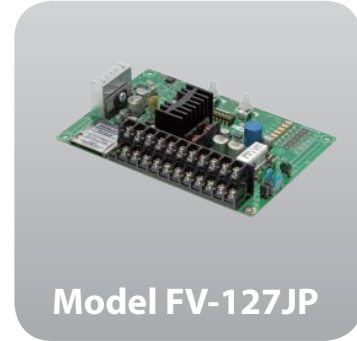
Model BKV



Model LKEH



Model RFV



Model FV-127JP

**STEP 1****Get the Playlist Editor**

The Playlist Editor is still free from PATLITE.  
Contact us by E-mail, which can be located on the back of this catalog.

**STEP 2****Get the Recommended SD Card** (Model SDV-2GP)

The SDV-2GP is an SD Card approved and supplied by PATLITE.  
(The PATLITE Corporation is a member of the SD Card Association.)

**STEP 3****Create the MP3 messages**

Convert any message into MP3 data.  
(Remove "ID3" tags and be sure the sample rate is the standard rate of 64k/sec for PATLITE products and the SD Card is formatted for "FAT16".)

**STEP 4****Save the MP3 messages on the SD Card**

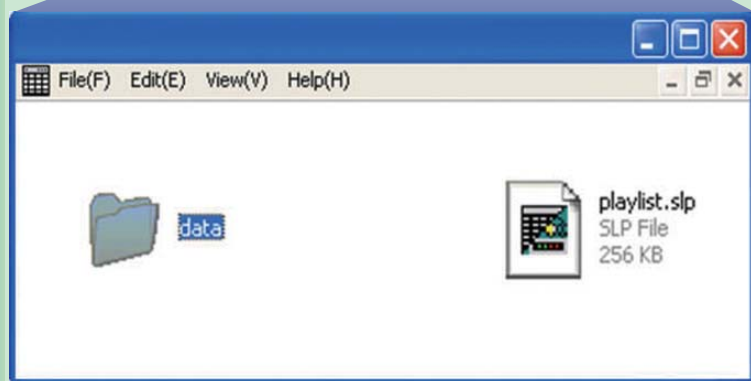
The Model BSV allows two methods for programming with MP3 Data.  
(Refer to the product manual for detailed information)

**STEP 5****Load the MP3 Data into the Product**

Programming can be done right out in the field!  
Push the SD Card into the Product's SD Card slot and listen for the Beep that tells its programming (Refer to the product manual for detailed information on programming).



## Programming the SD Card

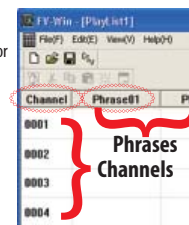


## PATLITE Playlist Editor

**Create any Playlist using Playlist Editor**  
With PATLITE's downloadable Playlist Editor from the Web, and Windows XP and Vista OS software;

### Playlist Editor Overview

1. Decide on the sounds and messages for Channels and Phrases
2. Start the Software.



1. Insert the sound or message files into appropriate channels and phrases
2. Save as "playlist.slp" after all files are installed
3. The playlist creation is completed.

Sound files installed here

### Example (BKV, LKEH)

1. Open the front cover. (Refer to the product manual for more details)
2. After inserting the SD Card with the stored data into the slot, a high-low beep will sound to indicate rewriting has begun.
3. When a short beep sound is heard, it indicates the rewriting sequence is complete and the SD Card can be removed from the slot.
  - \* Rewriting should be completed within 60 seconds. The rewriting is not successfully completed if beeping sounds other than indicated above are heard, or when there is no response (Refer to the product manual for more details). In addition, if the volume has been minimized, the beeping sounds cannot be heard.
4. Playback the channels to verify the rewriting has been successful. (Refer to the product manual for more details)

#### Please

- It is recommended to use Model SDV-2GP (sold separately). Using other SD Cards is not guaranteed for proper operation.
- Use "FAT16" when formatting the SD Card.
- When inserting the SD Card into the slot, be sure to insert it in the proper direction and do not forcibly insert the card. Failure to comply will result in damage to the SD Card and/or product.
- Avoid the intrusion of any foreign substances from entering the card slot.
- While rewriting the messages, do not disconnect power or remove the SD Card.

#### Note

- If the SD Card was inserted during message playback, the rewriting procedure will commence soon after the message completes its playback.
- During the message rewrite, any signal inputs on the Audio Input line will be ignored.

# BSV

## Voice Annunciator



87 dB at 1m

15 Channels (Binary)

63 Seconds

IP54

□ 75

NPN/PNP  
Open-collector



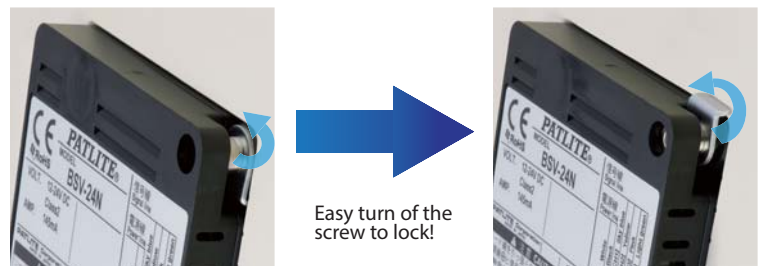
## The unbelievably thin design includes space-saving for equipment.

### FEATURES

- Sound reduction is made with just one signal input. (When the sound reduction function is used, the number of playback messages is reduced.)
- Diverse operational modes in combination with commands can be setup for the right application.
- The use of the SD card can allow changing messages while out in the field.
- Protection Rating of IP54 (Only for front panel mount attachment).
- Despite the thin shape, it has a maximum output of 87dB (at 1m).
- It complies with Europe's environment-friendly RoHS Directive.
- Can be used with transistor driven inputs. (Either NPN or PNP)
- A compact design with only a thickness of 19.9mm.
- Two installation choices of panel or wall mount.
- The volume control is accessible from the front.
- Listed by Underwriters Laboratories Inc.
- Conforms to the CE requirements.

## Easy installation from the front.

With only the need to access the front cover, reduction in labor time and maintenance is simpler with easily removing the front cover for installation and volume adjustment, etc.



### Options

**PATLITE Playlist Editor 2**  
(Free Download)

(OS: Windows® 2000/XP/Vista/Windows 7/Windows 8)

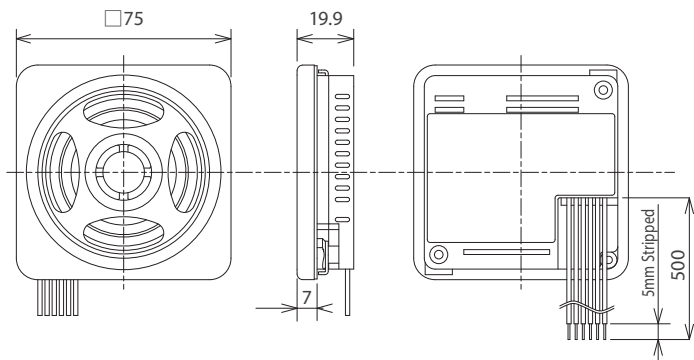
- > The new PATLITE Playlist Editor 2 is required to change the audio message data for this product.
- > The SD Card does not contain any data.

**SD Card**  
(2 GB)  
SDV-2GP

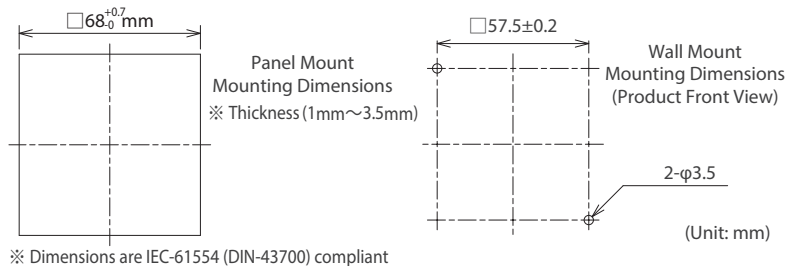




## Dimensions



Mounting Dimensional Drawing



## How to Order

### BSV-24NM-W

Transistor Type

N: NPN  
P: PNP

Front Cover Color

W: Off-white  
D: Dark Gray  
S: Silver

Pre-recorded Message

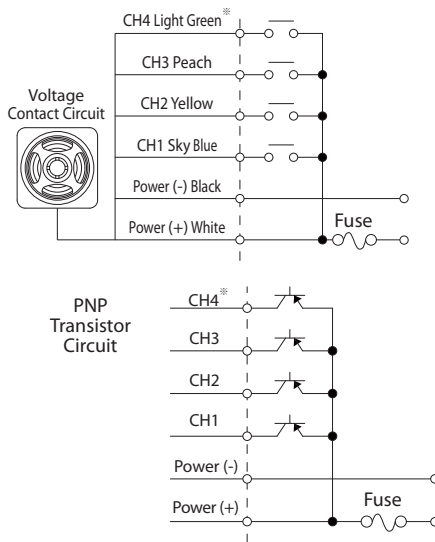
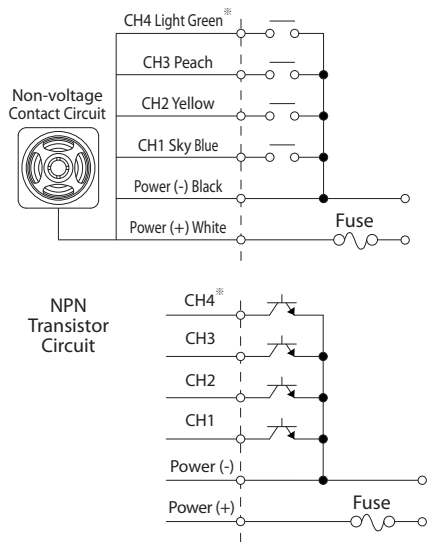
None: 15 Built-in Alarms

M: Pre-recorded Messages

(Caution) If the pre-recorded voice message data is overwritten, all of it will be erased.

Also, message data cannot be exported.

## Wiring



With the built-in SD card slot, MP3 data rewriting can be done with an SD card.

In addition to the optional message rewriting with the exclusive PATLITE Playlist Editor 2 Application software, Rewriting or editing MP3 data files is possible without the use of dedicated software.

## Specifications

Transistor Type	Pre-recorded Data	Model	Front Cover Color	Rated Voltage	Operating Voltage Range	Power Consumption	Sound Level (Max.)	Operating Temperature Range	Maximum Playback Time	No. of Playback Inputs	Protection Rating	Mass
NPN	VOICE	BSV- 24NM- W	Off-white	12-24V DC	10.8V - 26.4V DC	3.5W	87dB (at 1m)	-10 - +50°C (RH less than 85%)	63 sec.	Bit: 4 Binary: 15	IP54 (Flush-mount, Upright Position)	100g
		BSV- 24NM- D	Dark Gray									
		BSV- 24NM- S	Silver									
	ALARM	BSV- 24N- W	Off-white									
		BSV- 24N- D	Dark Gray									
		BSV- 24N- S	Silver									
PNP	VOICE	BSV- 24PM- W	Off-white									
		BSV- 24PM- D	Dark Gray									
		BSV- 24PM- S	Silver									
	ALARM	BSV- 24P- W	Off-white									
		BSV- 24P- D	Dark Gray									
		BSV- 24P- S	Silver									

\*Actual sound level will depend on sound type and surrounding operating conditions.

# BDV

## Voice Annunciator



BDV-15JF Only

87 dB at 1m

15 Channels (Binary)

63 Seconds

IP54 (Upright Only)

80

NPN  
Open-collector

**Excellent sound quality with MP3 playback! This panel-mounted MP3 voice annunciator uses SD cards\*, allowing messages to be changed easily. (\*Recommended: SDV-2GP)**

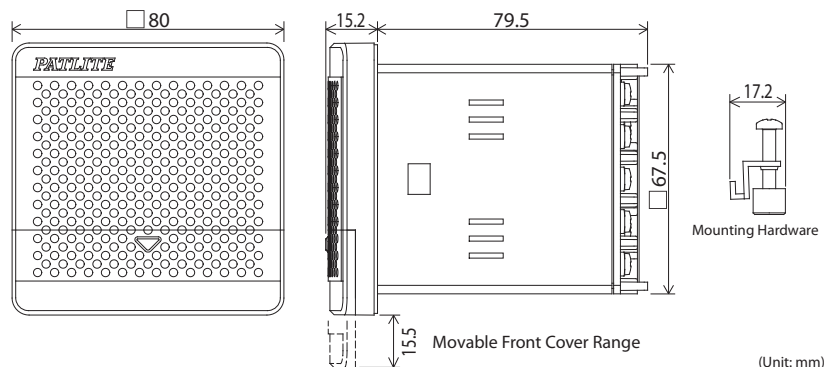
### FEATURES

- Only Flush-mounting style available.
- Able to produce a loud sound of up to 87 dB (at 1m) despite its compact size
- A volume control on the front panel provides an easy way to adjust the sound volume.
- The use of an SD card allows message changes without uninstalling the device.
- Environmentally friendly since the unit complies with the EU RoHS Directives.
- Several playback modes are available for various applications.
- Includes binary input as a standard option for selecting up to 15 messages.
- Supports input selection using NPN open-collector transistor.
- The unit complies with EU Directives and includes the CE mark (BDV-15JF only)
- Two colors are available for selecting the best color match for the installation.
- Protection rating: IP54 (only the front panel when flush-mounted)

### How to Order

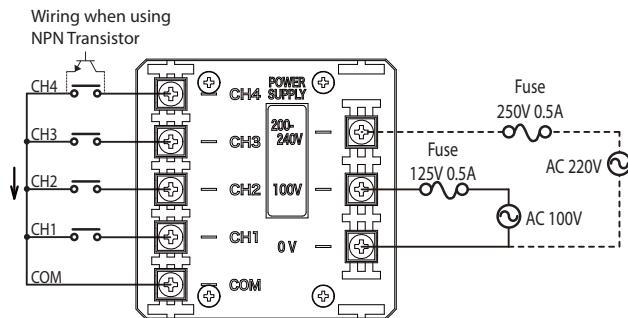
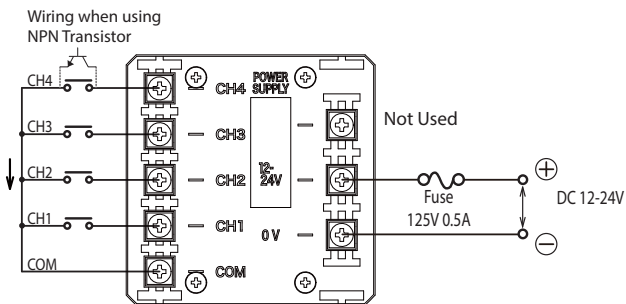
<b>BDV-15JF-J</b>	
Rated Voltage	Color
J: DC 12-24V	J: Ivory White
K: AC 100V/220V	K: Dark Gray

### Dimensions



(Unit: mm)

# Wiring Diagram



# Playback Modes

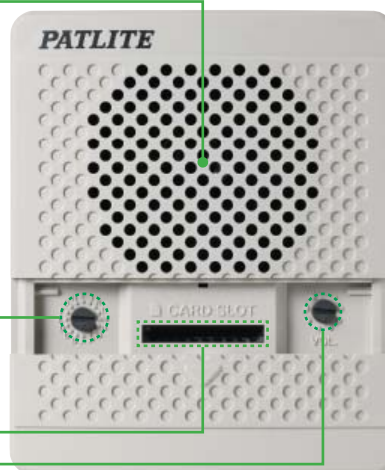
## Mode Selector Switch

Several playback modes for a combination of applications.

A	Bit Input Mode	Plays back up to 4 messages using Channels 1 to 4.
B	Binary Input Mode	Plays back up to 15 messages using Channels 1 to 4.
C	Bit Input/Volume Reduction Mode	Plays back up to 3 messages using Channels 1 to 3. When Channel 4 receives an input, the volume is reduced by about -10dB.
D	Binary Input/Volume Reduction Mode	Plays back up to 7 messages using Channels 1 to 3. When Channel 4 receives an input, the volume is reduced by about -10dB.
E	Bit Input/Priority Message Playback Mode	Plays back up to 7 messages using Channels 1 to 3. If a message input occurs during playback of another message, the message will stop and allow the input message to playback.
F	Binary Input/Priority Message Playback Mode	Plays back up to 15 messages using Channels 1 to 4. If a message input occurs during playback of another message, the message will stop and allow the input message to playback.
G	Bit Input/Hold Message Playback Mode	Plays back up to 4 messages using Channels 1 to 4. As long as the input is held on, the message is played back, once the input is removed, the message playback stops.
H	Binary Input/Hold Message Playback Mode	Plays back up to 15 messages using Channels 1 to 4. As long as the input is held on, the message is played back, once the input is removed, the message playback stops.
I	Test Playback Mode	Plays back Message No. 1

## Up to 87dB (at 1m)

Despite its slim appearance, it is able to produce a maximum of 87dB (at 1m). (Actual sound level will depend on sound type and surrounding operating conditions.)



## Volume Control

The volume is easily accessible from the front for adjustment.

## Memory Card Slot

With an SD Card, messages can be changed while the unit is still mounted.

## Options

**PATLITE Playlist Editor 2 (Free Download)**  
 (OS: Windows® 2000/XP/Vista/Windows 7/Windows 8)  
 > The new PATLITE Playlist Editor 2 is required to change the audio message data for this product.  
 > The SD Card does not contain any data.

**SD Card (2 GB) SDV-2GP**



# Specifications

Model	Rated Voltage	Operating Voltage Range	Power Consumption	Sound Level (Max.)	Voice File	Operating Temperature Range	Maximum Playback Time	No. of Playback Inputs	Protection Rating	Mass
BDV-15JF	DC 12-24V	DC 10.8V - 26.4V	4W	87dB* (at 1m)	MPEG- Audio Layer (MP3)	-10 - +50°C (RH less than 85%)	63 sec.	Bit: 4	IP54 (Flush-mount)	220g
BDV-15KF	AC 100/220V	AC 100V ±10% AC 220V±10%	5W		Standard Bit Rate: 64kb/s Fs=44.1kHz			Binary: 15		340g

\*Actual sound level will depend on sound type and surrounding operating conditions.

# BKV

## Voice Annunciator



- 95dB at 1m
- 31 Channels (Binary)
- 63 Seconds
- IP54 (Upright Only)
- 120
- NPN Open-collector

**Excellent sound quality with MP3 playback! This panel-mounted MP3 voice annunciator uses SD cards,\* allowing messages to be changed easily. (\*Recommended: SDV-2GP)**

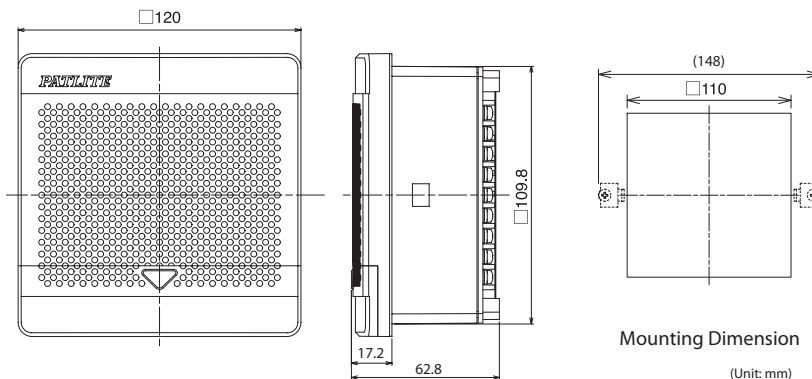
FEATURES-

- Only Flush-mounting style available.
- Able to produce a loud sound of up to 87 dB (at 1m) despite its compact size
- A volume control on the front panel provides an easy way to adjust the sound volume.
- The use of an SD card allows message changes without uninstalling the device.
- Environmentally friendly since the unit complies with the EU RoHS Directives.
- Several playback modes are available for various applications.
- Includes binary input as a standard option for selecting up to 15 messages.
- Supports input selection using NPN open-collector transistor.
- The unit complies with EU Directives and includes the CE mark (BKV-15JF only)
- Two colors are available for selecting the best color match for the installation.
- Protection rating: IP54 (only the front panel when flush-mounted)

### How to Order

<b>BKV-31JF-J</b>	
Model	Color
Rated Voltage	J: Light Gray K: Dark Gray
J: DC 12-24V K: AC 100V Q: AC 220V	

### Dimensions



# Playback Modes

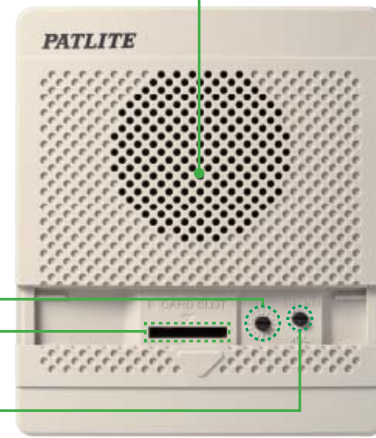
## Mode Selector Switch

Several playback modes for a combination of applications.

A	Bit Input Mode	Plays back up to 5 messages using Channels 1 to 5.
B	Binary Input Mode	Plays back up to 31 messages using Channels 1 to 5.
C	Bit Input/Volume Reduction Mode	Plays back up to 4 messages using Channels 1 to 4. When Channel 5 receives an input, the volume is reduced by about -15dB.
D	Binary Input/Volume Reduction Mode	Plays back up to 15 messages using Channels 1 to 4. When Channel 5 receives an input, the volume is reduced by about -15dB.
E	Bit Input/Priority Message Playback Mode	Plays back up to 5 messages using Channels 1 to 5. If a message input occurs during playback of another message, the message will stop and allow the input message to play back.
F	Binary Input/Priority Message Playback Mode	Plays back up to 31 messages using Channels 1 to 5. If a message input occurs during playback of another message, the message will stop and allow the input message to play back.
G	Bit Input/Hold Message Playback Mode	Plays back up to 5 messages using Channels 1 to 5. As long as the input is held on, the message is played back, once the input is removed, the message playback stops.
H	Binary Input/Hold Message Playback Mode	Plays back up to 31 messages using Channels 1 to 5. As long as the input is held on, the message is played back, once the input is removed, the message playback stops.
I	Test Playback Mode	Plays back Message No. 1

## Up to 95dB (at 1m)

Despite its slim appearance, it is able to produce a maximum of 87dB (at 1m). (Actual sound level will depend on sound type and surrounding operating conditions.)



## Volume Control

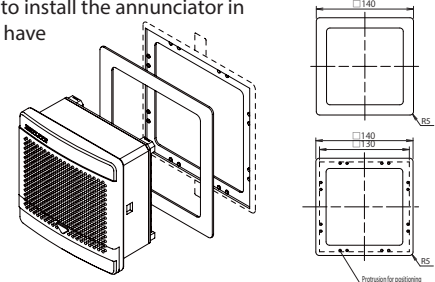
The volume is easily accessible from the front for adjustment.

## Memory Card Slot

With an SD Card, messages can be changed while the unit is still mounted.

## Optional Bracket (BK-001)

This bracket is used to install the annunciator in a place where holes have already been drilled for conventional PATLITE Product (φ133mm Type)



## Options

### PATLITE Playlist Editor 2 (Free Download)

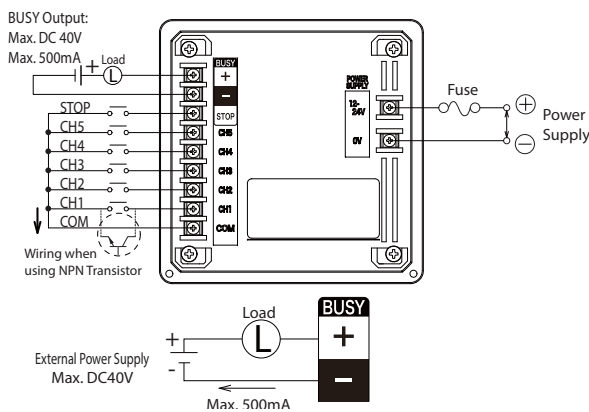
(OS: Windows® 2000/XP/Vista/Windows 7/Windows 8)

- > The new PATLITE Playlist Editor 2 is required to change the audio message data for this product.
- > The SD Card does not contain any data.

SD Card (2 GB) SDV-2GP



# Wiring



# Specifications

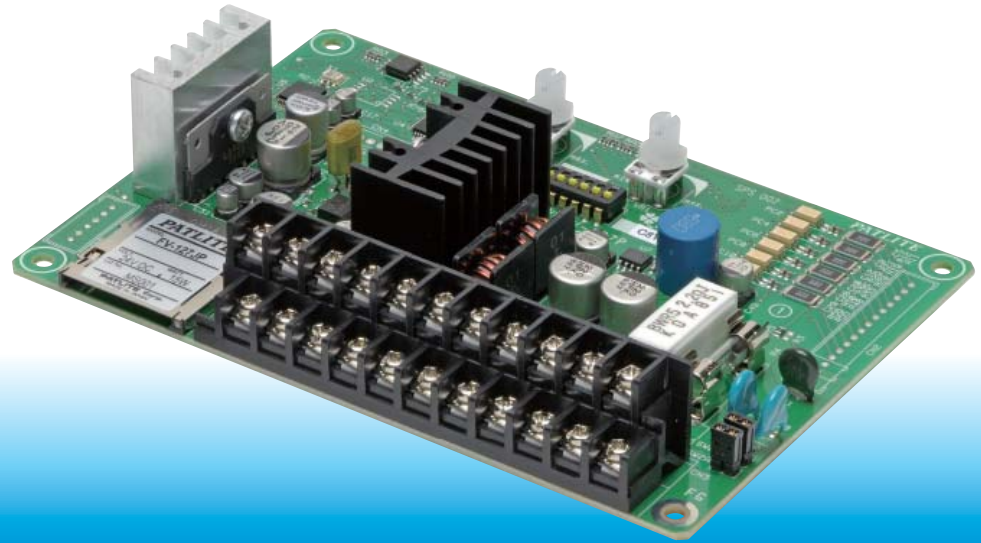
Model	Rated Voltage	Operating Voltage Range	Power Consumption	Sound Level (Max.)	Voice File	Operating Temperature Range	Maximum Playback Time	No. of Playback Inputs	Protection Rating	Mass
BKV-31JF	DC 12-24V	DC 10.8V - 26.4V	9W	95dB (at 1m)	MPEG- Audio Layer (MP3) Standard Bit Rate: 64kb/s Fs=44.1kHz	-10 - +50°C (RH less than 85%)	63 sec.	Bit: 5 Binary: 31	IP54 (Flush-mount)	350g
BDV-31KF	AC 100V	AC 100V ±10%	10W							530g
BDV-15KF	AC 220V	AC 220V ±10%								530g

\*Actual sound level will depend on sound type and surrounding operating conditions.

# FV-127JP



## MP3 File Playback Circuit Board



**127 Channels** (Binary)

**8 Minutes**

**24VDC**

**NPN/PNP  
Open-collector**

**Audio messages can be registered up to 127 channels, ideal for various equipment or facility purpose where the audio message assistance is required.**

### FEATURES

- High quality sound and long playback time.
- MP3 compressed audio file format enables long playback time and high quality sound.
- Approximately eight minutes worth of audio messages can be stored in the onboard memory.
- Capable of 240 minutes of message playback when using an SD card as external memory. (MP3 data at standard 64kbit/s rate and 128Mb SD Card)
- Audio messages can be overwritten and reprogrammed with the Playlist Editor 2 (free download) and optional SD Card.
- Data stored in the onboard memory can be extracted to the SD Card.
- 3 sound reduction levels of -10dB, -20dB and -30dB (at 1m) can be controlled by an external signal.
- Five different playback modes are available

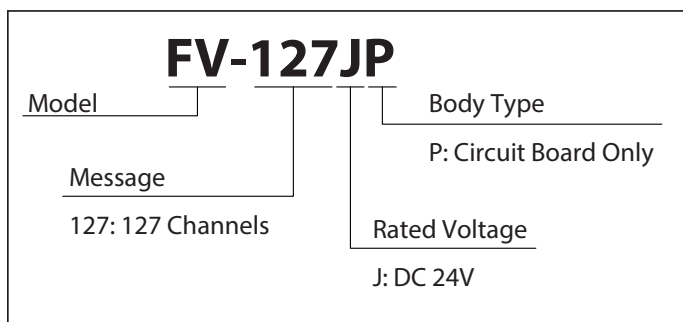
### NOISE REDUCTION FEATURES

- Input delay can be selected (10ms or 50ms) to reduce noise
- Extending the delay to input a signal reduces noise
- Another noise countermeasure can include setting jumper pins

### OTHER FEATURES

- Terminal block to provide safe and secure wire connections.
- Selectable speaker output (2W or 4W), AUX and BUSY Output terminals.
- Operating voltage range is from 19V to 29V DC (Rated Voltage: 24V DC)
- This product is compliant with the RoHS directive (DIRECTIVE 2002/95/EC)

## How to Order



### Options

**PATLITE Playlist Editor 2**  
(Free Download)

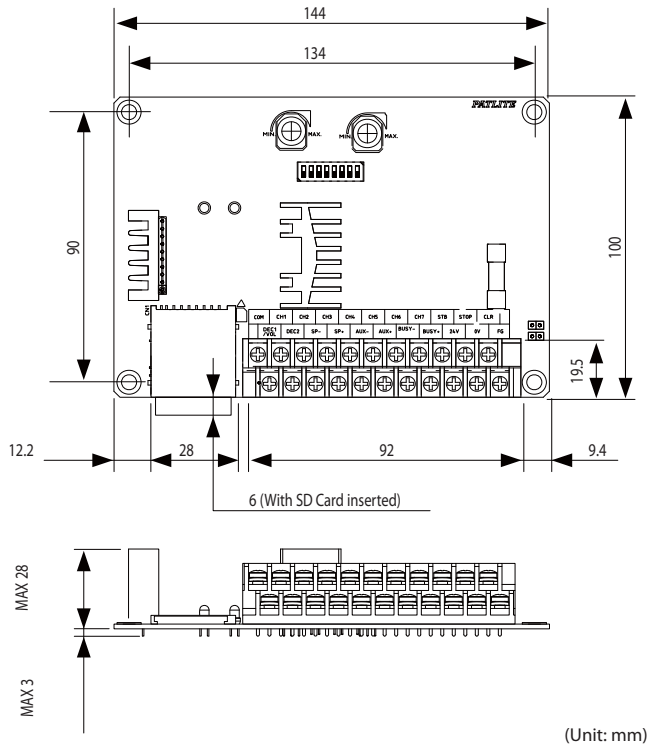
(OS: Windows® 2000/XP/Vista/Windows 7/Windows 8)

- > The new PATLITE Playlist Editor 2 is required to change the audio message data for this product.
- > The SD Card does not contain any data.

**SD Card**  
(2 GB)  
SDV-2GP



## Dimensions



## Playback Modes

### Normal Playback

Designated audio message is played back by distinctive signal input. Audio message is played back once in case of one shot input, and audio message is repeated when the signal is input continuously.

### Memory Playback

Up to 23 audio message inputs can be memorized in order of input. After one playback is finished, the next memorized audio message will be played back. The inputs exceeding the limit will not be memorized.

### Latest Input and Greater Channel Priority Playback

When the signal for a greater channel number is input during the message playback, the audio message being played back will be stopped, and previous audio message input will be played back. When the signal for the same or smaller channel number is input, the signal will not be accepted.

### Momentary Playback

Audio message is played back only while the signal input is maintained. Playback will be stopped when the signal input is stopped.

### Latest Input Priority Playback

When the signal is input during the message playback, the audio message being played back will be stopped, and the previous audio message input will be played back.

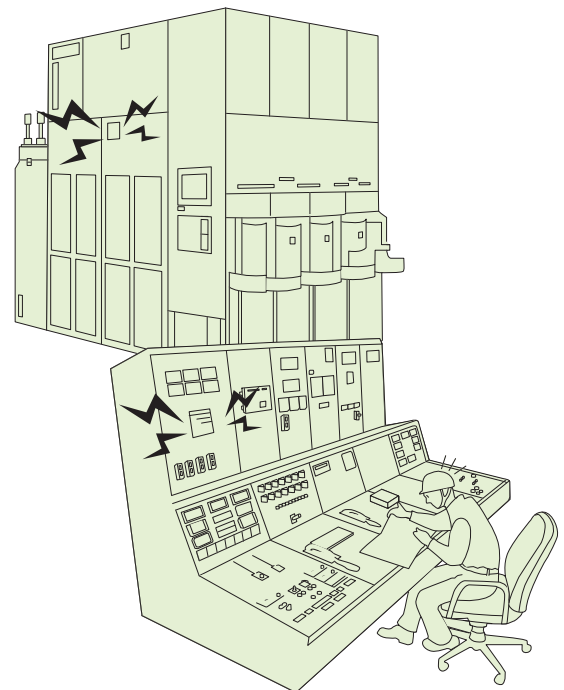
## Specifications

General Specifications	
Model Name	FV-127JP
Rated Voltage	DC 24V
Operating Voltage Range	DC 19 to 29V
Wiring Method	M3 Terminal Bus
Power Consumption	Maximum 15W (1*)
Operating Temperature Range	-10 to 50°C
Storage Temperature	-40 to 80°C
Relative Humidity	85% RH or less
Operating Environment	Built-in Type Only
Installation Method	4 Screw Tie-down
Vibration Resistance	45m/s2 (30Hz forward and back/Left and right for 2hrs., up and down for 4hrs.)
Mass	160g ±10%
Outer Dimensions	144×100×28 [mm] (Lead Wires and Mounting Posts not included)
Audible Specifications	
Replay Message Number	For Binary: 127 For Bit Input: 7
Audio File Format	MPEG1-Audio Layer: (MP3)
Bit Rate	32kbit/s; 64kbit/s(Standard); 128kbit/s Fs=44.1kHz
Maximum PlaybackTime	On-board Memory (4MB): About 8 min (Recorded with standard bit rate) External Memory (SD Card): With 128MB about 240 min. (Standard Bit Rate Recording)
On-board Memory Size	4,360,191byte
Audio Start-up Time	About 260ms (When sound mute not added at beginning and end of messages)
Audio Pause Time	Unless specified, 100ms sound mute added at beginning and end of messages
Compatible Memory Card	SD Card Recommended Part No.: SDV-2GP (Sold Separate)
Card Format	FAT16
Audio Rewrite Capability	Use with Patlite Playlist Editor 2 (Free Download) and an SD Card
Audio Rewrite Time	About 180 sec. (When changing the 4MB on-board memory)
Input / Output Specifications	
Signal Input Section	CH1, CH2, CH3, CH4, CH5, CH6, CH7, STB, CLR, STOP, DEC1/VOL, DEC2
Signal Input Priority	CLR Input > STOP Input > CH Input (Larger Channel takes Priority)
Sound Reduction Input	Speaker/AUX Output: Three Sound Reduction Levels of -10dB, -20dB, -30dB (1*)
Input Hold Time	More than 10ms or 50ms (Changeable Settings)
Signal Input Type	Non-voltage contact or NPN Open Collector
Speaker Output	8Ω compatible speaker of 4W or more, or 8Ω compatible speaker of 2W or more (Switchable Setting)
Maximum SoundPressure	Speaker Output at 4W: 105 dB; at 2W: 102dB (2*)
AUX Output	0dBV 600Ω (Adjustable with Volume Control or Sound Reduction Input)
BUSY Output	Maximum DC40V, 500mA

(1\*) 1kHz Sine Wave Data Playback at -6dB

(2\*) At 1m with 1kHz Sine Wave Data Playback and SPW-5E Speaker (Sold Separate)

This product complies with the RoHS directive (DIRECTIVE 2002/95/EC)



MEMO

For more details, visit our website at <http://www.patlite.com>



# Hybrid Products



# LKEH



## MP3 Voice Annunciator & LED Signal Tower



LED



32 Alarm Sounds

105dB at 1m

IP53

(LED) Ø100

NPN  
Open-collector



## Get the attention you need with the PATLITE field-programmable LKEH Series Hybrid Signal Tower with audible alarm.

### FEATURES

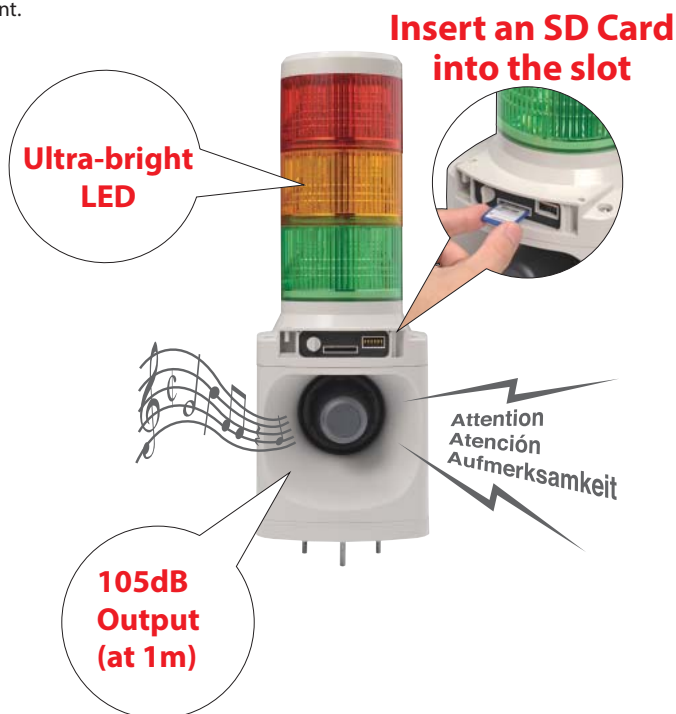
- The pre-recorded type offers 32 sounds in one unit with 8 bit input and 32 binary input channel capability.
- The message capacity for the LKEH-FV is 63 seconds (64kbit/s) with 5 bit input and 31 binary input channel capability.
- The LKEH-FV is field-programmable with an SD Card (sold separately).
- Visible from great distance with ultra-bright LEDs and 100 diameter lens.
- A 2G vibration resistant design allows safe use in a high-vibration environment.
- One common wire makes it easy to control both the audio and LED inputs.
- Volume is adjustable from 0 to 105dB (at 1m) to fit various environments.
- Compliance with the RoHS Directives makes it environmentally friendly.
- Complies with EU directives and includes the CE mark (for 24V type).

### AVAILABLE BY SPECIAL ORDER

- PNP open collector transistor type.
- AC 120V type
- UL Listed (File No. E215660, for 24V type only).

### How to Order

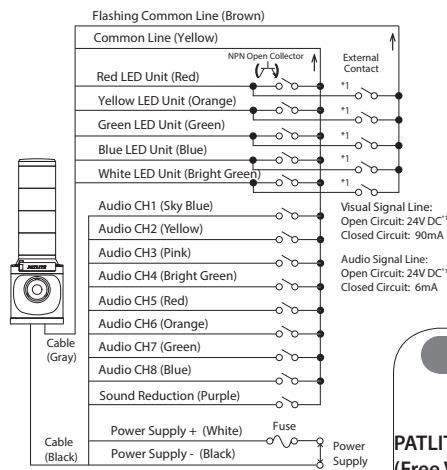
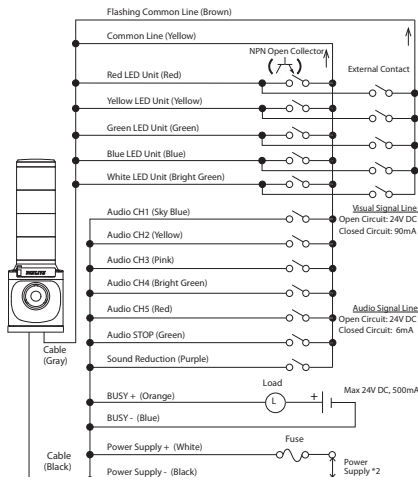
<b>LKEH-402FVUL-RYGB</b>		Color
Model		R: Red
Tiers		Y: Amber
1-4		G: Green
Rated Voltage	UL Conformity	B: Blue
02: DC 24V	None: No Conformity	C: Clear/White
10: AC 100V	UL: UL Standard	(Top to bottom)
20: AC 220V	Sound Type	
	FV: Voice Synthesizer	
	FA: Type A	
	FC: Type C	
	FD: Type D	
	FE: Type E	



### Use of Copyrighted Material

PATLITE Corporation has not applied for permission to use certain copyrighted music or songs recorded for Type-A, Type-C and Type-D melody charts outside of Japan. Therefore, please contact the local copyright association for permission before using the product in case this product is used outside of Japan. melody chart Type-E is recommended for use outside of Japan as this playlist does not include copyrighted music or songs, and permission is not required.

# Wiring



# Options

## Wall-mount Bracket SZ-023

Bracket Material: Steel  
Cover Material: ABS Resin



## Options

SD Card  
(2 GB)  
SDV-2GP



## PATLITE Playlist Editor 2 (Free Version)

(OS: Windows® 2000/XP/Vista)

- > The new PATLITE Playlist Editor 2 is required to change the audio message data for this product.
- > The SD Card does not contain the Playlist Editor software or any audio messages.

# Sound Charts

Type A		(Japan Only)	
Beep (slow intermittent)	Stutter (rapid intermittent)	Bell (clear high-pitch)	Yelp (rapid siren)
Rapid HI-Lo	Melody Chime	Synthesized Piano	Synthesized Bell
Stutter + Bell	Synthesized Melody Chime	Chime	Call Sign
Fur Elise	Maiden's Prayer	Bach Minuet in Gmaj	Annie Laurie
London Bridge is falling down	Hol-di-ri-Dia	Mary had a little Lamb	Camptown Races
Cuckoo Song	Village Blacksmith	On the Bridge of Avignon	Daydream Believer
Amaryllis	Mozart Symphony No. 40	Quiet Lakeside	Ich bin ein Musikante
Spanish Romance	Katytusha	Grandfather's Clock	Ave Maria

Type D		(Japan Only)	
Beep (slow intermittent)	Stutter (rapid intermittent)	Bell (clear high-pitch)	Yelp (rapid siren)
Rapid HI-Lo	Melody Chime	Synthesized Piano	Synthesized Bell
Runner	Mamotte Agetai	Chime	Call Sign
Iribiao Kikinagara	September	Doyoubino Koibito	Akino Kehai
Saafu Tengoku Sukii Tengoku	Iro White-blend	Happy Birthday	Hi Ho
I've been working on the Railroad	The Bear Song	Toys Go "Cha-cha-cha"	Konnako Irukana
Schubert's Lullaby	Rudolph the red-nosed Reindeer	She Wore a Yellow Ribbon	My Darling, Clementine
Yellow Rose of Texas	Yankee Doodle	When the Saints Go Marching In	Londonderry Air

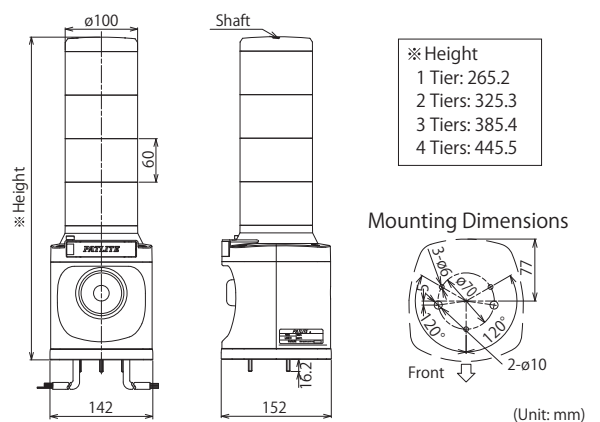
Type C		(Japan Only)	
Beep (slow intermittent)	Stutter (rapid intermittent)	Bell (clear high-pitch)	Yelp (rapid siren)
Rapid HI-Lo	Melody Chime	Synthesized Piano	Synthesized Bell
Stutter + Bell	Synthesized Melody Chime	Chime	Call Sign
Can't take my eyes off of you	Top of the World	The Entertainer	Amazing Grace
Amairono Kamino Otome	Les Champs-Elysees	Canon	Rara Sunshine
Uchuusenkan Yamamoto	Oshiete	Makenaide	Gonna Fly Now (Theme from "Rocky")
I don't Wanna Miss a Thing	Yozorano Mukou	Aiwa Katsu	Haruyo Koi
Gattsudaze	Odoru Ponpokorin	Imasugu Kisu Mi	Truth

Type E		(Worldwide)	
Beep (slow intermittent)	Stutter + Bell	Inverted Reveille	Annie Laurie
Stutter (rapid intermittent)	Melody Chime	Galactic Motor	London Bridge is falling down
Bell (clear high-pitch)	Chime	Ringling Phone	Mary had a little Lamb
Yelp (rapid siren)	Call Sign	Two Tone	Camptown Races
Rapid HI-Lo	Train Ride	Alarm Clock	Amaryllis
Melody Chime	Galloping HI-Lo	Ringling HI-Lo	Mozart Symphony No. 40
Synthesized Piano	Alien Chatter	Fur Elise	Ave Maria
Synthesized Bell	Falling Crystals	Bach Minuet in Gmaj	Grandfather's Clock

# Specifications

Model	Rated Voltage	Operating Voltage Range	Number of Tiers	Power Consumption	Mass
LKEH- 102F	DC 24V	DC 24V ±10%	1	10.6W	1.4kg
LKEH- 202F			2	12.4W	1.6kg
LKEH- 302F			3	14.2W	1.8kg
LKEH- 402F			4	16.0W	2.0kg
LKEH- 110F	AC 100V	AC 100V ±10%	1	17.0W	2.1kg
LKEH- 210F			2	20.0W	2.3kg
LKEH- 310F			3	23.0W	2.5kg
LKEH- 410F			4	26.0W	2.7kg
LKEH- 120F	AC 220V	AC 220V ±10%	1	17.0W	2.1kg
LKEH- 220F			2	20.0W	2.3kg
LKEH- 320F			3	23.0W	2.5kg
LKEH- 420F			4	26.0W	2.7kg

# Dimensions



(Note) The sound pressure level is based on measurements under controlled conditions (voice-synthesized 1 kHz sine wave played back from a distance of 1 meter), therefore the surrounding environmental conditions and message content will result in different values for the sound pressure level.

※) Even when starting two or more units simultaneously, a lag will occur during message playback.

# RFT



## Audible Alarm & LED Tower



- LED**
- 90dB at 1m**
- 32 Alarm Sounds**
- IP54**
- 115**
- NPN Open-collector**

## An LED Rotating Light with built-in alarm sounds controllable by binary or bit input for a maximum of 32 sounds!

### FEATURES

- Sound reduction feature to drop the volume by about 10dB (at 1m) when an input signal is received (Binary Mode only).
- Using an SD Card can allow customization of one sound group to be re-arranged using any of the pre-installed sounds.
- Compliance with the RoHS Directives makes it environmentally friendly.
- Complies with EU directives and includes the CE mark (for 24V type).
- Can be controlled with NPN open-collector transistor inputs.
- A side panel access allows easier volume adjustment.
- Produces a loud sound of up to 90dB (at 1m)

Side access design enables easy post-installation maintenance



The sound reduction function reduces the volume by approx. -10dB (at 1m), a feature ideal for use at night time together with a timer or sensor.

## How to Order

**RFT-24A-R**

Rated Voltage	Globe Color
24 : DC 24V	R: Red
100: AC 100V	Y: Amber
220: AC 220V	G: Green
Sound Type	B: Blue
A: A Type	
C: C Type	
D: D Type	
E: E Type	

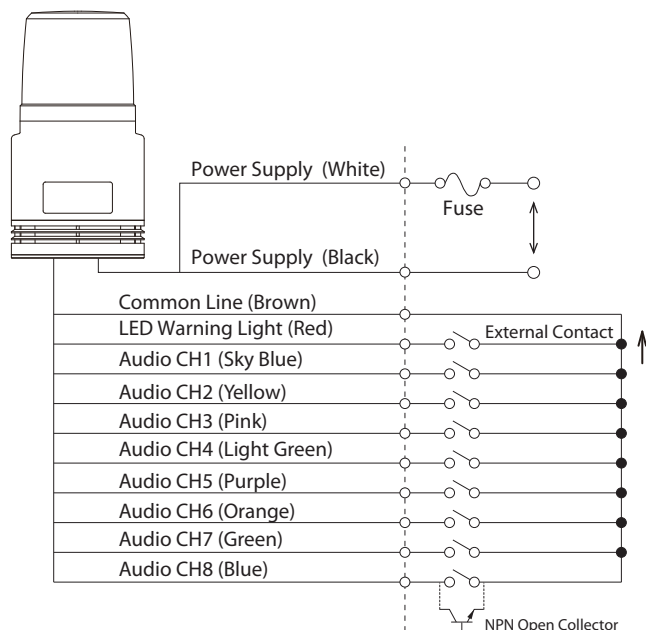
Type E			
Beep (slow intermittent)	Stutter + Bell	Inverted Reveille	Annie Laurie
Stutter (rapid intermittent)	Melody Chime	Galactic Motor	London Bridge is falling down
Bell (clear high-pitch)	Chime	Ringing Phone	Mary had a little Lamb
Yelp (rapid siren)	Call Sign	Two Tone	Camptown Races
Rapid Hi-Lo	Train Ride	Alarm Clock	Amaryllis
Melody Chime	Galloping Hi-Lo	Ringing Hi-Lo	Mozart Symphony No. 40
Synthesized Piano	Alien Chatter	Fur Elise	Ave Maria
Synthesized Bell	Falling Crystals	Bach Minuet in Gmaj	Grandfather's Clock

### Sound Reduction



## Wiring

RFT



## Options

- RF-001: Wall Mount Bracket



- RF-002 Ceiling Mount Bracket



### Options

#### PATLITE Playlist Editor 2 (Free Version)

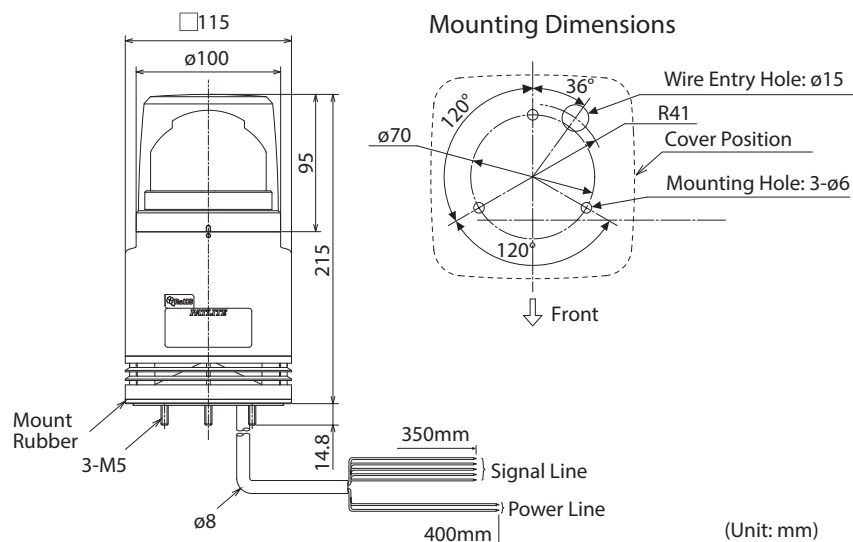
(OS: Windows® 2000/XP/Vista)

- > The new PATLITE Playlist Editor 2 is required to change the audio message data for this product.
- > The SD Card does not contain the Playlist Editor software or any audio messages.

SD Card  
(2 GB)  
SDV-2GP



## Dimensions



(Unit: mm)

## Specifications

Series	Model	Rated Voltage	Operating Voltage Range	Maximum Power Consumption	Sound Level	Operating Temperature Range	Flashes per Minute	Protection Rating	Vibration Resistance	Mass
RFT	RFT-24	DC 24V	DC 24V ±10%	12 W	Max. 90dB (at 1m)	-10°C - +50°C (85%RH or less)	115 ±15	IP54 (When Flush-mounted)	19.6m/s <sup>2</sup>	1.0kg
	RFT-100	AC 100V	AC 100V ±10%	13 W						1.2kg
	RFT-220	AC 220V	AC 220V ±10%	13 W						

Actual sound level will depend on sound type and operating conditions.

※) Even when starting two or more units simultaneously, a lag will occur during message playback.

# RFV

## MP3 Voice Annunciator & LED Signal Tower

**LED**

**15 Channels** (Binary)

**95dB** at 1m

**IP54**
 **115**
**NPN/PNP**  
Open-collector


## The RFV series is a combination of LED rotating beacon light and MP3 programmable sound unit.

### FEATURES

- Field-programmable with an SD Card (sold separately).
- Message capacity of 63 seconds (64kbit/s) with bit input of 4 channels and 15 channels by binary input.
- Volume is adjustable from 0 to 95dB (at 1m) to fit various environments.
- A 4.5G vibration resistant design allows safe use in a high-vibration environment.
- Other Unique Features:
  1. Maintenance reduced with long service ultra-bright LEDs that can last over 5 years with 24/7 continuous operation.
  2. Highly-visible with a special optical reflector design.
  3. Special gear-driven mechanism provides reliability, even after 10 years of no operation.
  4. Tight-locking dome stays on, even in high vibration environments.
  5. Designed for inverted installation.

### AVAILABLE BY SPECIAL ORDER

- PNP open collector transistor type.

Voice message is field programmable with an SD card (sold separately), and the volume can be easily accessed from the side panel, even after installation.



Side Access

The sound reduction function reduces the volume by approx. -15dB (at 1m), a feature ideal for use at night time together with a timer or sensor.

## How to Order

### RFV-24F-R

**Rated Voltage**

 24: 24V DC  
 100: 100V AC  
 220: 220V AC

**Globe Color**

 R: Red  
 Y: Amber  
 B: Blue

### Sound Reduction

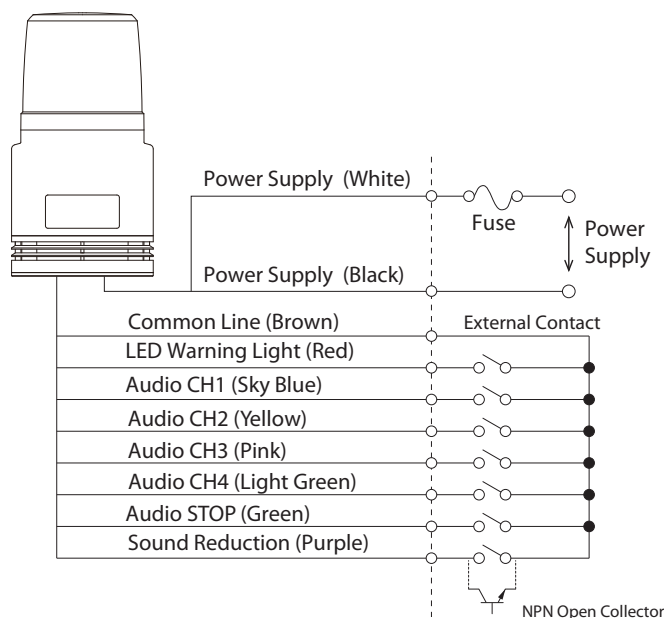


### Use of Copyrighted Material

PATLITE Corporation has not applied for permission to use certain copyrighted music or songs recorded for Type-A, Type-C and Type-D melody charts outside of Japan. Therefore, please contact the local copyright association for permission before using the product in case this product is used outside of Japan. melody chart Type-E is recommended for use outside of Japan as this playlist does not include copyrighted music or songs, and permission is not required.

## Wiring

RFV



## Options

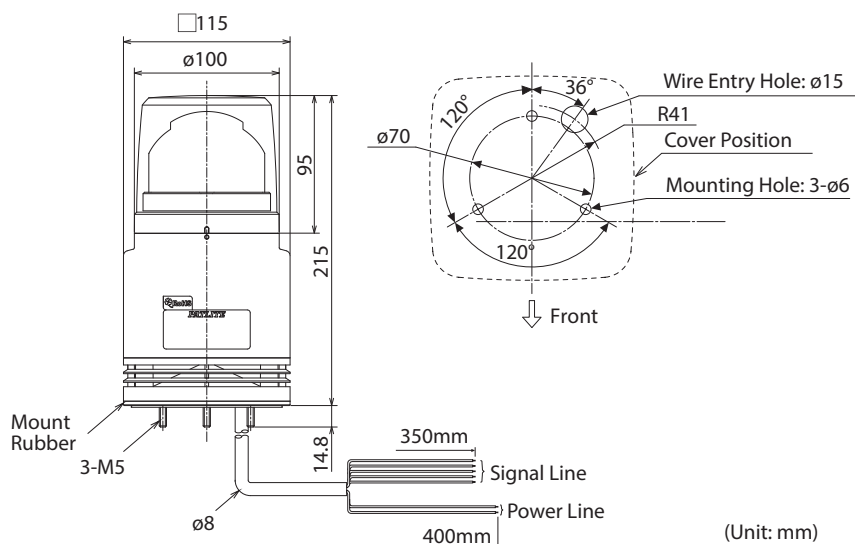
- RF-001: Wall Mount Bracket



- RF-002 Ceiling Mount Bracket



## Dimensions



(Unit: mm)

### Options

**PATLITE Playlist Editor 2 (Free Version)**

(OS: Windows® 2000/XP/Vista)

- > The new PATLITE Playlist Editor 2 is required to change the audio message data for this product.
- > The SD Card does not contain the Playlist Editor software or any audio messages.

**SD Card (2 GB) SDV-2GP**



## Specifications

Series	Model	Rated Voltage	Operating Voltage Range	Maximum Power Consumption	Sound Level	Operating Temperature Range	Flashes per Minute	Protection Rating	Vibration Resistance	Mass
RFV	RFV-24	DC 24V	DC 24V ±10%	18 W	Max. 95dB (at 1m)	-10°C - +50°C (85%RH or less)	115 ±15	IP54 (When Flush-mounted)	19.6m/s <sup>2</sup>	1.0kg
	RFV-100	AC 100V	AC 100V ±10%	16W						1.2kg
	RFV-220	AC 220V	AC 220V ±10%							

Actual sound level will depend on sound type and operating conditions.

※) Even when starting two or more units simultaneously, a lag will occur during message playback.

# RT

## Hybrid MP3 & Revolving Light



- Bulb**
- 32 Alarm Sounds**
- 105dB at 1m**
- 63 Seconds**
- IP23**
- NPN Open-collector**



## Large horn with revolving warning light featuring clear sound up to 105dB (at 1m).

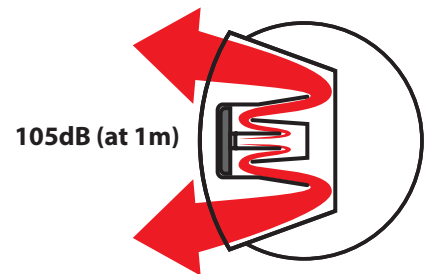
### FEATURES

- Built-in Adjustable alarm with a sound of up to 105dB (at 1m).
- High sound quality with the MP3 voice synthesizer (RT-VF only).
- Installation is in the upright position only.
- Dome is made of superior weather-resistant and light-translucent acrylic resin.
- Available colors are Red, Amber, Green, and Blue.
- Complies with EU directives and includes the CE mark (for 24V type).

### AVAILABLE BY SPECIAL ORDER

- Cable: Versatile and flexible 3m cable
- AC 120V type
- IP65 rating
- UL Conformity

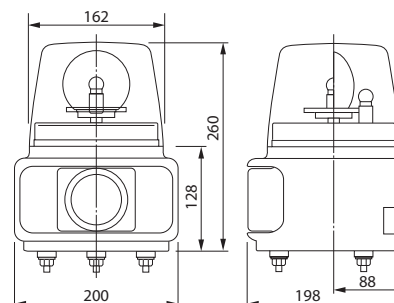
### Horn Configuration Concept



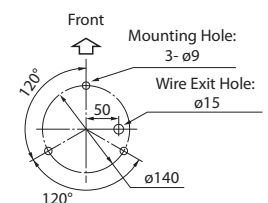
### How to Order

<b>RT-24VF-R</b>	
<b>Rated Voltage</b> 24 : DC 24V 100: AC 100V 200: AC 200V	<b>Color</b> R: Red Y: Amber G: Green B: Blue
<b>Sound</b> VF: Voice Synthesizer A: Type A C: Type C D: Type D E: Type E	

### Dimensions



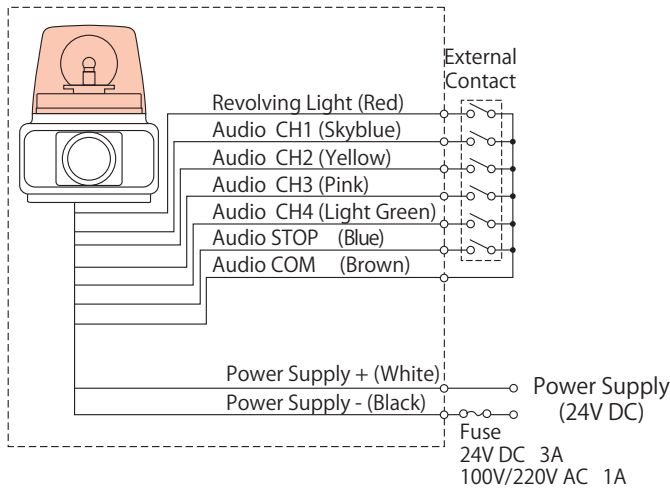
### Mounting Dimensions



(Unit: mm)



## RT-A/C/D/E



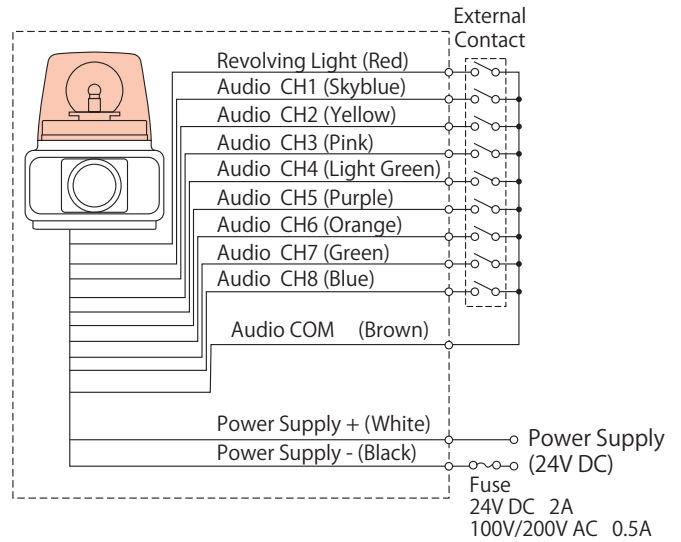
\*more than 100ms input is required to activate.

### Channel Priority:

4 (Light Green) > 3 (Pink) > 2 (Yellow) > 1 (Skyblue)

The greater number has priority when any of the channels are activated simultaneously.

## RT-FV



### Channel Priority:

8 (Blue) > 7 (Green) > 6 (Orange) > 5 (Red) > 4 (Light Green) > 3 (Pink) > 2 (Yellow) > 1 (Skyblue)

The greater number has priority when any of the channels are activated simultaneously.

## Specifications

Series	Model	Rated Voltage	Operating Voltage Range	Power Consumption	Bulb		Sound Level	Operating Temperature Range	Rotations per Minute	Sound Level	Channel Input	Mass
					Ratings	Repl. No.						
Voice	RT-24VF	DC 24V	DC 21 - 27V	24 W	24V 20W	55	Max. 90dB (at 1m)	-10°C - +50°C (85%RH or less)	115	Max. 105dB (at 1m)	Bit: 4 Binary: 15	2.0kg
	RT-100VF	AC 100V	AC 90 - 100V	32 W	12V 15W	54			105			2.4kg
	RT-220VF	AC 220V	AC180 - 240V	30 W					95			2.4kg
Sound	RT-24 □	DC 24V	DC 21 - 27V	24 W	24V 20W	55	Max. 95dB (at 1m)	-10°C - +50°C (85%RH or less)	115	Max. 105dB (at 1m)	Bit: 8 Binary: 32	2.0kg
	RT-100 □	AC 100V	AC 90 - 100V	32 W	12V 15W	54			105			2.5kg
	RT-220 □	AC 220V	AC180 - 240V	30 W					95			2.5kg

Actual sound level will depend on sound type and operating conditions.

※) Even when starting two or more units simultaneously, a lag will occur during message playback.

## Sound Chart

Type E			
Beep (slow intermittent)	Stutter + Bell	Inverted Reveille	Annie Laurie
Stutter (rapid intermittent)	Melody Chime	Galactic Motor	London Bridge is falling down
Bell (clear high-pitch)	Chime	Ringling Phone	Mary had a little Lamb
Yelp (rapid siren)	Call Sign	Two Tone	Camptown Races
Rapid Hi-Lo	Train Ride	Alarm Clock	Amaryllis
Melody Chime	Galloping Hi-Lo	Ringling Hi-Lo	Mozart Symphony No. 40
Synthesized Piano	Alien Chatter	Fur Elise	Ave Maria
Synthesized Bell	Falling Crystals	Bach Minuet in Gmaj	Grandfather's Clock

### Use of Copyrighted Material

PATLITE Corporation has not applied for permission to use certain copyrighted music or songs recorded for Type-A, Type-C and Type-D melody charts outside of Japan. Therefore, please contact the local copyright association for permission before using the product in case this product is used outside of Japan. melody chart Type-E is recommended for use outside of Japan as this playlist does not include copyrighted music or songs, and permission is not required.

# KJT

## Melody/Alarm & LED Tower

Model **DEB** LED Lamp  
**Recommended Product**  
 For more details on Model DEB  
 Refer to the "Replacement Bulb"  
 Section at the end of this Catalog



- Bulb**
- 8 Channels** (Bit)
- 95dB** at 1m
- IP23**
- 116**
- NPN**  
Open-collector



## Multi-tiered Revolving Warning Light integrated with voice synthesizer or melody alarm for various applications.

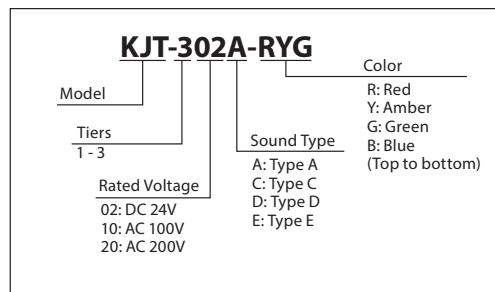
### FEATURES

- Eight Channels for Bit Input. (Binary Input: 32)
- Lens is made of superior weather-resistant and light-translucent acrylic resin.
- Built-in adjustable sound of up to 95dB (at 1m) with volume control.
- Warning lights and alarms can be controlled together or separately.
- Available Colors are in Red, Amber, Green, and Blue.
- Installation is available in the upright position only.

### Sound Chart

Type E			
Beep (slow intermittent)	Stutter + Bell	Inverted Reveille	Annie Laurie
Stutter (rapid intermittent)	Melody Chime	Galactic Motor	London Bridge is falling down
Bell (clear high-pitch)	Chime	Ringing Phone	Mary had a little Lamb
Yelp (rapid siren)	Call Sign	Two Tone	Campdown Races
Rapid Hi-Lo	Train Ride	Alarm Clock	Amaryllis
Melody Chime	Galloping Hi-Lo	Ringing Hi-Lo	Mozart Symphony No. 40
Synthesized Piano	Alien Chatter	Fur Elise	Ave Maria
Synthesized Bell	Falling Crystals	Bach Minuet in Gmaj	Grandfather's Clock

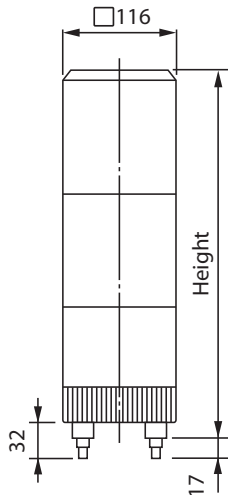
### How to Order



### Use of Copyrighted Material

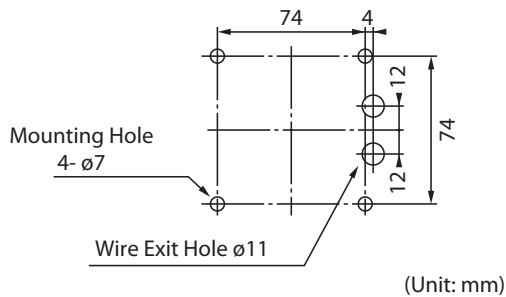
PATLITE Corporation has not applied for permission to use certain copyrighted music or songs recorded for Type-A, Type-C and Type-D melody charts outside of Japan. Therefore, please contact the local copyright association for permission before using the product in case this product is used outside of Japan. melody chart Type-E is recommended for use outside of Japan as this playlist does not include copyrighted music or songs, and permission is not required.

## Dimensions

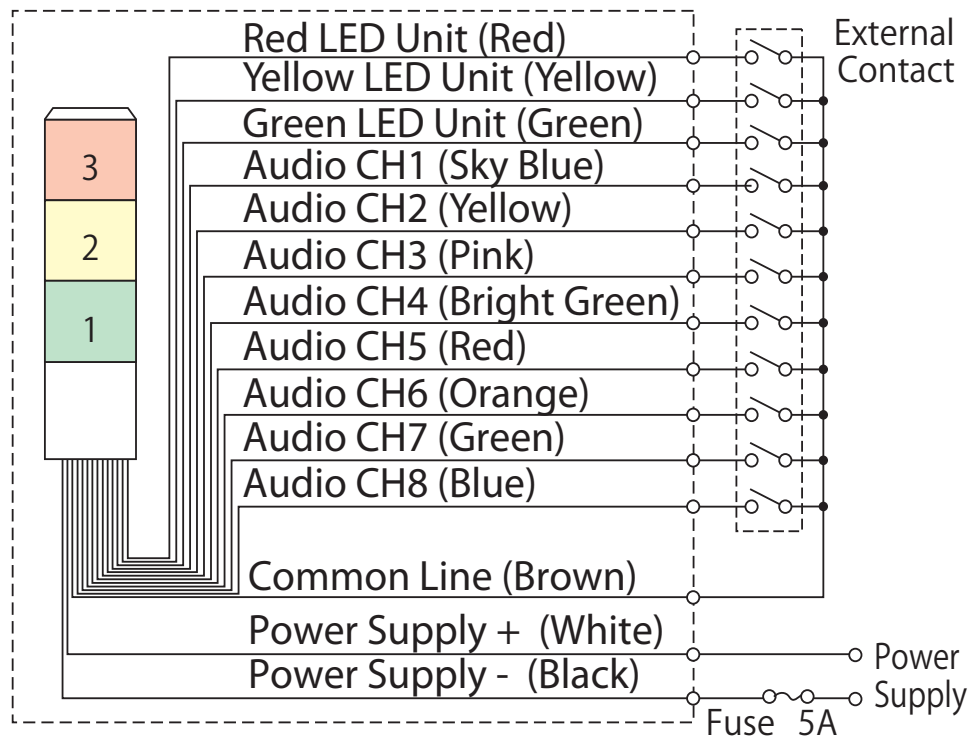


Height (mm)  
 1 Tier: 232  
 2 Tiers: 337  
 3 Tiers: 442

### Mounting Dimensions



## Wiring



Channel Priority:  
 8 (Blue) > 7 (Green) > 6 (Orange) > 5 (Red) > 4 (Light Green) > 3 (Pink) > 2 (Yellow) > 1 (Skyblue)  
 The greater number has priority when any of the channels are activated simultaneously.

## Specifications

Model	Rated Voltage	Operating Voltage Range	Power Consumption	Bulb		Rotations per Minute	Sound Level	Operating Temperature Range	Channels	Mass		
				Ratings	Repl. No.							
Alarm/Melody	1 Tier	KJT- 102	24V AC/DC	AC/DC 21 - 27V	25W/18W	24V 10W	10	95dB (at 1m)	-20°C - +50°C (85%RH or less)	8 Ch	1.4kg	
		KJT- 110	AC 100V	AC 90 - 110V	20W	12V 5W	12				120	1.7kg
		KJT- 120	AC 200V	AC 180 - 240V								2.0kg
	2 Tier	KJT- 202	24V AC/DC	AC/DC 21 - 27V	36W/28W	24V 10W	10				135	2.4kg
		KJT- 210	AC 100V	AC 90 - 110V	26W	12V 5W	12				120	2.6kg
		KJT- 220	AC 200V	AC 180 - 240V								3.0kg
3 Tier	KJT- 302	24V AC/DC	AC/DC 21 - 27V	47W/38W	24V 10W	10	135	3.0kg				
	KJT- 310	AC 100V	AC 90 - 110V	32W	12V 5W	12	120					
KJT- 320	AC 200V	AC 180 - 240V										

MEMO

For more details, visit our website at <http://www.patlite.com>

# Optional Parts

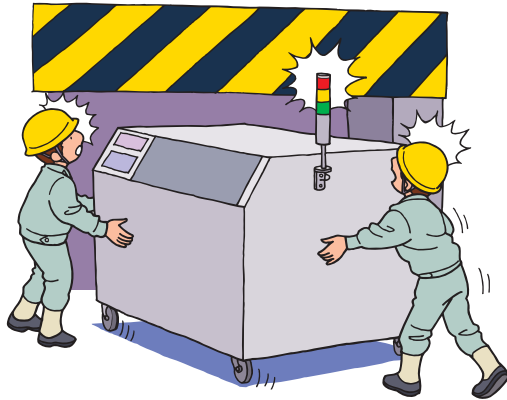


# Optional Parts

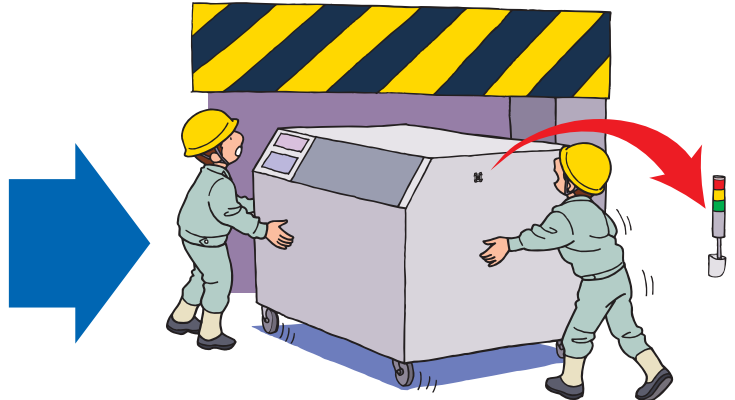
## Wall Mount Bracket

- **Avoid Potential Trouble when moving machinery!**
- **Easily removable connection! (Wiring unplugs along with it!)**
- **Easy to disconnect when needing repair!**

BEFORE...



AFTER...



### Easy steps to installing the bracket



Drill the holes on the machine to attach the mounting connector and bracket.



Fix the mounting parts onto the machine with the proper hardware.



Join the connectors together.



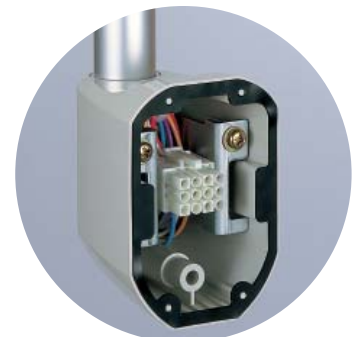
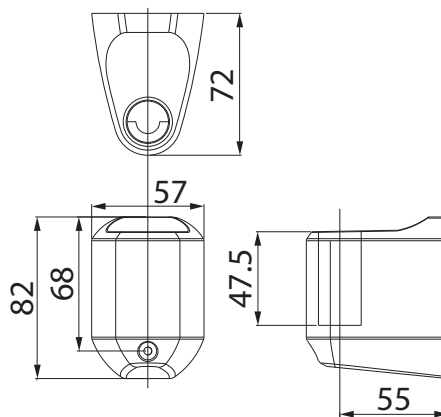
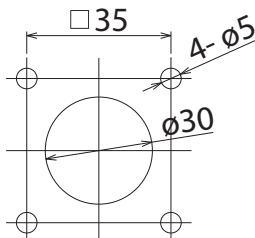
Hook the mounting bracket onto the metal tabs and attach it with the screws.

SZ-020 (For  $\phi 21.7\text{mm}$  Pole)

SZ-021 (For  $\phi 17.3\text{mm}$  Pole)



Mounting Dimensions



Wire connector SZ-020-001 (Sold Separately)

# MP-B

## Signal Tower Option



Ø30

85 db at 1m

Electronic Sound 1

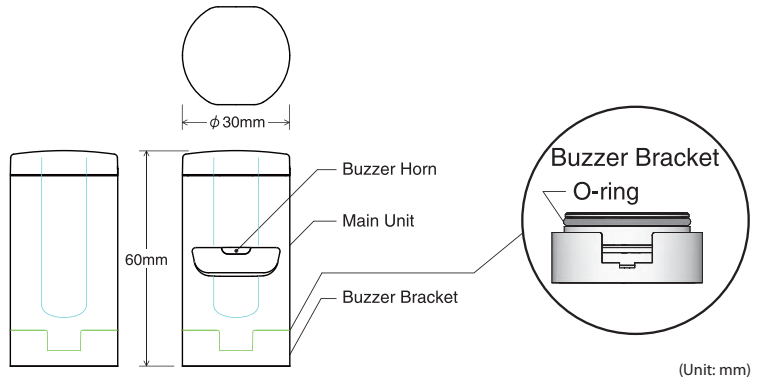


### FEATURES

- Double-insulation for enhanced durability and safety
- Direct mount installation with just a single screw
- Main body made of heat resistant ABS resin for superior impact resistance
- Compatible with the MP and MPS Signal Tower  
(The Red module is required when using the optional MP-B)

### Part Names and Dimensions

- Operates in conjunction with the Red LED module (Alarm activation with other colors must be special ordered).



### Specifications

Model	Rated Voltage	Sound Level	Power Consumption
Ⓞ MP-B	AC/DC 24V	80dB (at 1m)	0.7W

Ⓞ Requires Red LED Module

# DEB



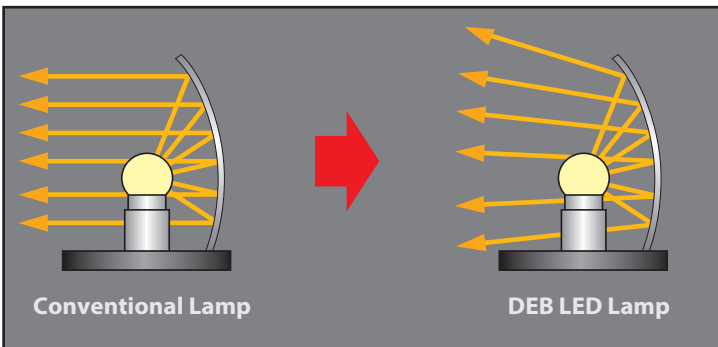
## LED Lamp

### FEATURES

- LED Color emits a Warm White color
- Suitable lighting for Patlite Compatible Rotating Lamp Series.
- Replacable with AC Lamp Bulbs for Patlite Products.

#### COMPATIBLE MODELS:

SKH-110A/120A, SKHB-100A/200A, SKH-100EA/200EA  
 RH/RK(B)-100A/120AUL/200A/240AUL  
 WH/WK(B)(S)-100A/200A  
 KJS(B)-110/210/310/120/220/320  
 KJ(B)-110/210/310/410/120/220/320/420  
 KJT-110/210/310/120/220/320



### Specifications

Model	Rated Voltage	Power Consumption	LED Color	Lamp Base	Mass
DEB-15SBA-CL	AC 12V	1.7W (at AC13.5V)	Warm White	BA15S	9.8g





# Mounting Pole

## φ50 (φ40)

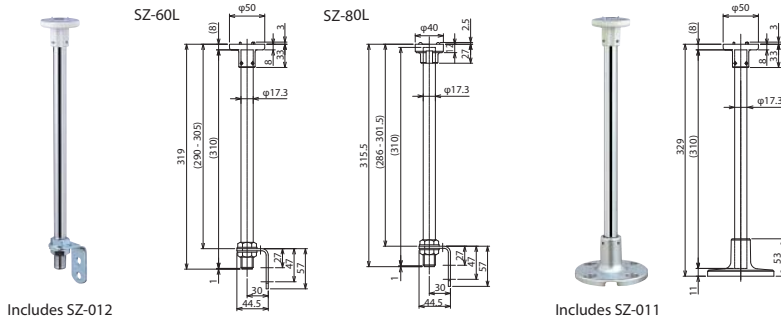
SZ-60L  
SZ-80L



SZ-60T

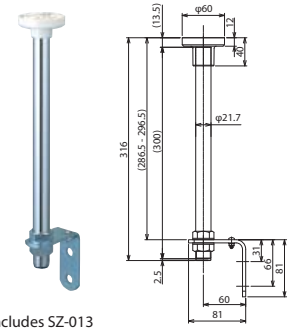


SZ-70L



## φ60

SZ-70L



## φ70

SZ-50L



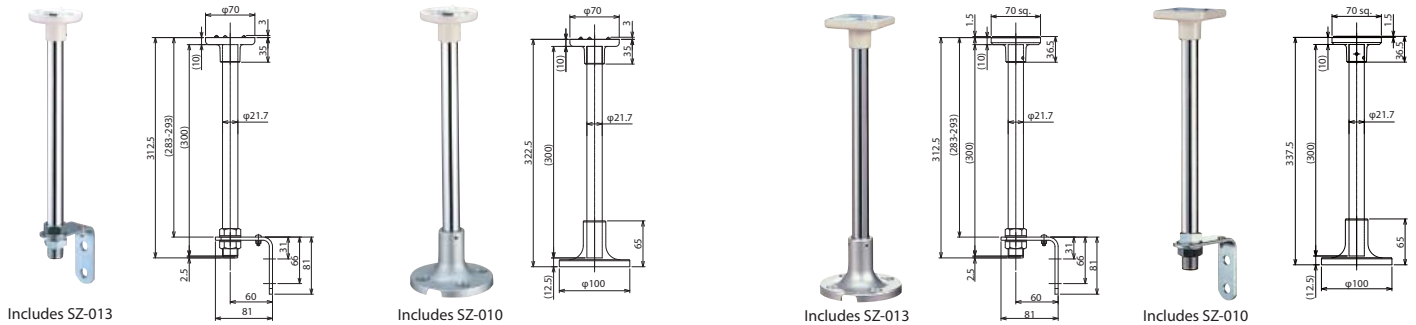
SZ-50T



SZ-40L



SZ-40T

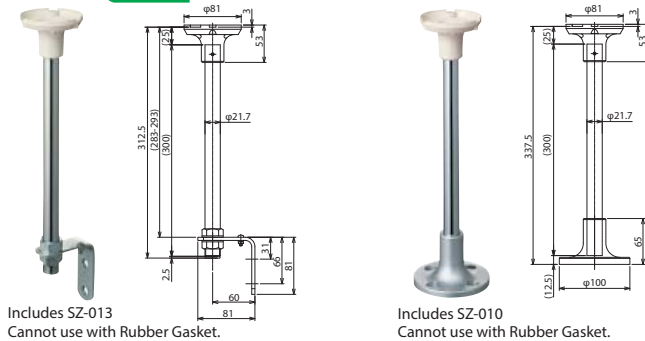


## φ81

SZ-30L



SZ-30T



Model	Material					
	Upper Bracket	Pole	'L' Bracket	Cord Bushing	Mounting Bracket	Compatible Models
SZ-80L	ABS Resin	Carbon-steel Pipe	SPHC	6/6 Nylon	—	LCE-W
SZ-60L	ADC12		SPHC	6/6 Nylon	—	LE-W, LES-AW
SZ-60T	—	—	—	—	ADC12	—
SZ-70L	ABS Resin	Carbon-steel Pipe	SPHC	EPT	—	LME-W
SZ-50L	ADC12		SPHC	EPT	—	LU7, LHE-A
SZ-50T	—	—	—	—	ADC12	—
SZ-40L	ADC12	Carbon-steel Pipe	SPHC	EPT	—	KUS
SZ-40T	—		—	—	ADC12	—
SZ-30L	ABS Resin		SPHC	EPT	—	RLE, RU, RH, PS, PES-A
SZ-30T	—	—	—	—	ADC12	—

ADC12: Aluminum Alloy Die-cast      SPHC: Hot Rolled Milled (Sheet) Steel  
EPT: Ethylene Propylene Rubber

# Mounting Bracket

SZ-010

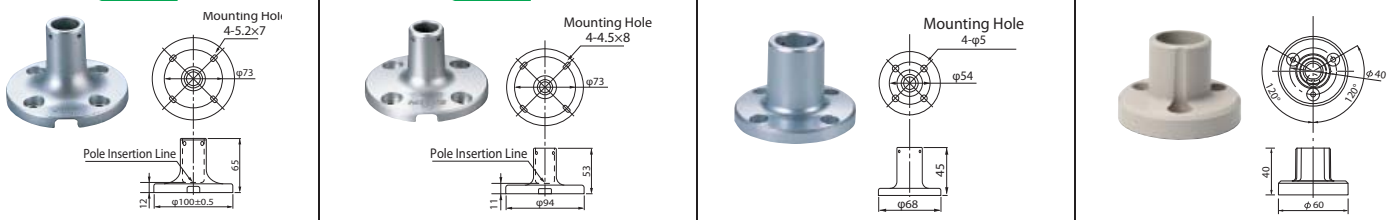


SZ-011

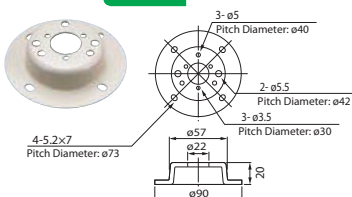


SZ-016A

SZ-70-B



SZ-014



Model	Material	Compatible Models
SZ-010	Aluminum Alloy Die-cast	RUP, LME, LMS, LHE
SZ-011		LCE, LCS, LE, LES-A
SZ-016A	Cold-rolled Milled Steel	LUS, LU7, RUP, LME, LMS, LHE
SZ-014		LE, LES-A
SZ-70-B	ABS	φ21.7mm Pole

## LU7 Upper Bracket



SZ-50-U

Ivory White



SZ-50U-U

Silver

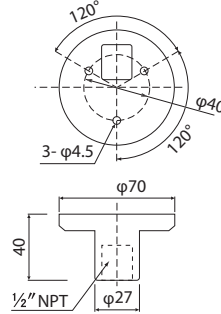
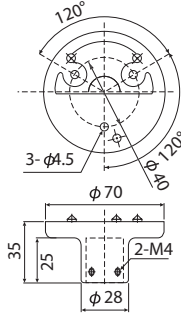


SZ-50NPT

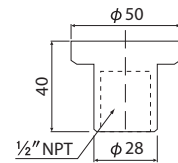
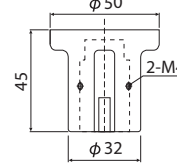
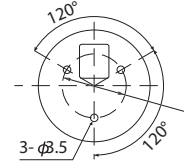
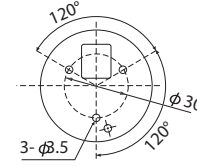


SZ-50K-U

Black

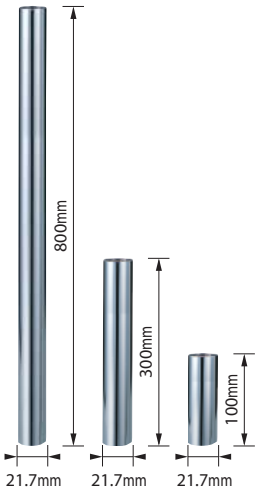


## LU5 Upper Bracket



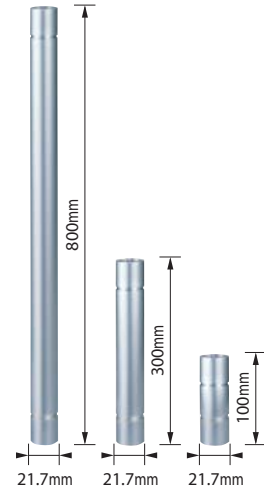
## Pole

Steel Pole



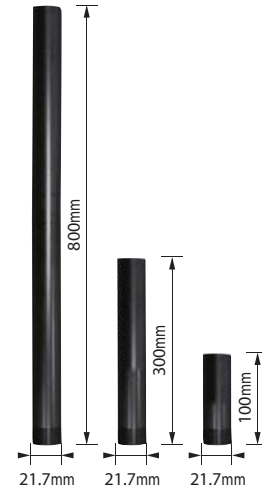
800mm	: POLE-800S21
300mm	: POLE-300S21
100mm	: POLE-100S21

Aluminum Pole



800mm	: POLE-800A21
300mm	: POLE-300A21
100mm	: POLE-100A21

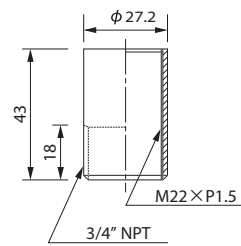
Black Aluminum Pole



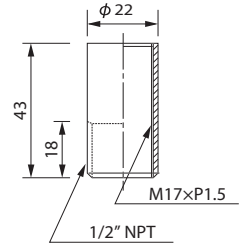
800mm	: POLE-800A21K
300mm	: POLE-300A21K
100mm	: POLE-100A21K

## NPT Adaptor

SZ-904



SZ-903

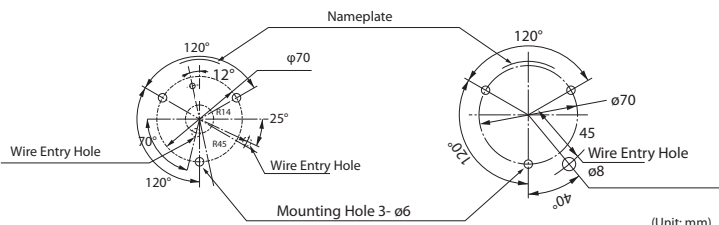


## Rubber Gasket

SZ-200A



Mounting Dimensions

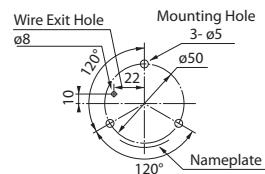


(Unit: mm)

SZ-210



Mounting Dimension



(Unit: mm)

## LS7 Options

Wall Mounting Bracket SZ-110



SZ-110

SZ-110S

SZ-110D

Multi-mount Bracket SZ-130



SZ-130

SZ-130S

SZ-130D

Platform Bracket SZ-100

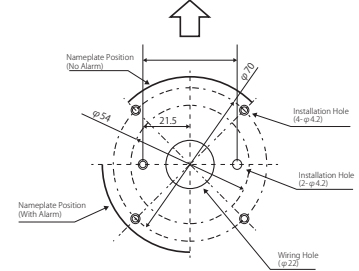


SZ-100

SZ-100S

SZ-100D

Front (Audible Alarm Opening)



Outer Cover for LS7\*  
Part No.:  
B45110011-F1

### Replacement Parts



O-ring for LS7  
Part No.:  
Z35721039-F1



Mount Cover for LS7 (Accessory)  
Part No.:  
B81910001-F1



M12 Connector & Cable  
SZ-120-02 Cable Length 2m (XS2F-D821-DH0-R)  
SZ-120-05 Cable Length 5m (XS2F-D821-GH0-R)  
SZ-120-10 Cable Length 10m (XS2F-D821-JH0-R)  
\* Only for connecting to the LS7.

## CLA Options



Option

Rear Attachment  
(Magnetic Mount)  
Model SZ-310ARM



Option

Side Attachment  
(Screw Mount)  
Model SZ-310AS



Option

Side Attachment  
(CLB-24N Compatible)  
Model SZ-310ASB



Option

Rear Attachment  
(Stainless Steel Screw Mount)  
Model SZ-310EU

## CLK Options

### M12 Quick Disconnect



4-wire M12 Socket Cable, 5m (No. 1536308)  
4-wire M12 SUS Socket Cable, 5m (No. 1552447)

### Daisy Link at a maximum of 5 Units



4-wire M12 Link Cable, 0.6m (No. 1518892)  
4-wire M12 SUS Link Cable, 0.6m (No. 1552638)

### One-touch Installation



CLK-001

### Angle Adjustment Bracket



SZ-320KS

### Surface-mounting Bracket

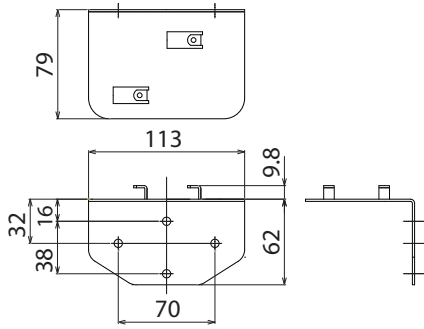


SZ-330KP

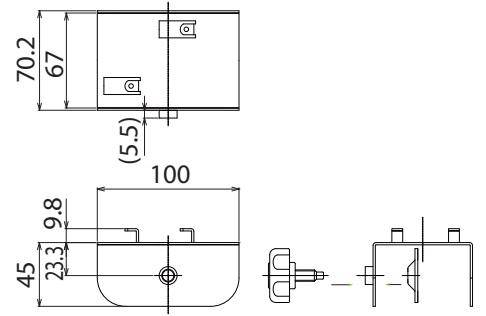
## NHL Options



Wall Mount Bracket NH-WST



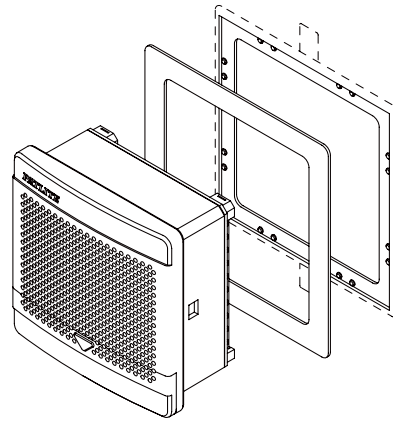
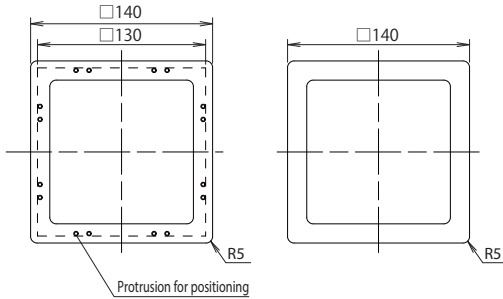
Partition Bracket NH-PST



## BKV Options

### BK-001 Size Adjustment Bracket

This bracket is used to install the annunciator in a place where holes have already been drilled for legacy PATLITE Products (φ133mm<sup>2</sup> Type)

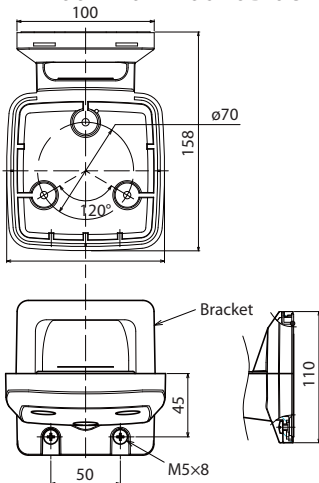


## RFT/RFV Options

### Wall Mount Bracket



RF-001 Wall Mount Bracket

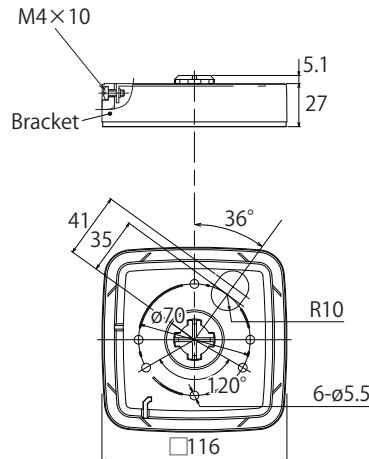


(Unit: mm)

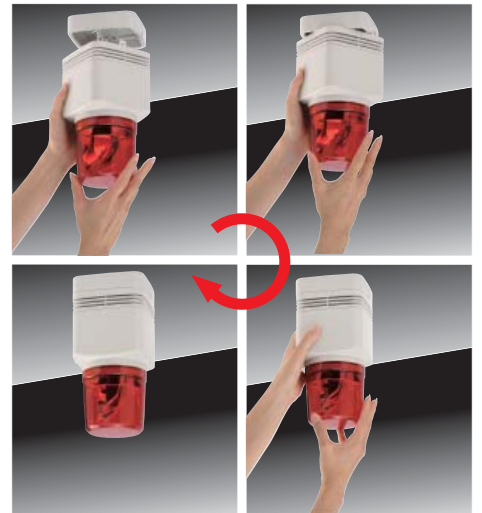
### Ceiling Mount Bracket



RF-002 Ceiling Mount Bracket



(Unit: mm)



# Melody Charts

Type A (Japan Only)			
Beep (slow intermittent)	Stutter (rapid intermittent)	Bell (clear high-pitch)	Yelp (rapid siren)
Rapid Hi-Lo	Melody Chime	Synthesized Piano	Synthesized Bell
Stutter + Bell	Synthesized Melody Chime	Chime	Call Sign
Fur Elise	Maiden's Prayer	Bach Minuet in Gmaj	Annie Laurie
London Bridge is falling down	Hol-di-ri-Dia	Mary had a little Lamb	Camptown Races
Cuckoo Song	Village Blacksmith	On the Bridge of Avignon	Daydream Believer
Amaryllis	Mozart Symphony No. 40	Quiet Lakeside	Ich bin ein Musikante
Spanish Romance	Katyusha	Grandfather's Clock	Ave Maria

Type D (Japan Only)			
Beep (slow intermittent)	Stutter (rapid intermittent)	Bell (clear high-pitch)	Yelp (rapid siren)
Rapid Hi-Lo	Melody Chime	Synthesized Piano	Synthesized Bell
Runner	Mamotte Agetai	Chime	Call Sign
Iribiao Kikinagara	September	Doyubino Koibito	Akino Kehai
Saafu Tengoku Sukii Tengoku	Iro White-blend	Happy Birthday	Hi Ho
I've been working on the Railroad	The Bear Song	Toys Go "Cha-cha-cha"	Konnako Irukana
Schubert's Lullaby	Rudolph the red-nosed Reindeer	She Wore a Yellow Ribbon	My Darling, Clementine
Yellow Rose of Texas	Yankee Doodle	When the Saints Go Marching In	Londonderry Air

Type C (Japan Only)			
Beep (slow intermittent)	Stutter (rapid intermittent)	Bell (clear high-pitch)	Yelp (rapid siren)
Rapid Hi-Lo	Melody Chime	Synthesized Piano	Synthesized Bell
Stutter + Bell	Synthesized Melody Chime	Chime	Call Sign
Can't take my eyes off of you	Top of the World	The Entertainer	Amazing Grace
Amairono Kamino Otome	Les Champs-Elysees	Canon	Rara Sunshine
Uchuusenkan Yamamoto	Oshiete	Makenaide	Gonna Fly Now (Theme from "Rocky")
I don't Wanna Miss a Thing	Yozorano Mukou	Aiwa Katsu	Haruyo Koi
Gattsudaze	Odorur Ponpokorin	Imasugu Kisu Mi	Truth

Type E (Worldwide)			
Beep (slow intermittent)	Stutter + Bell	Inverted Reveille	Annie Laurie
Stutter (rapid intermittent)	Melody Chime	Galactic Motor	London Bridge is falling down
Bell (clear high-pitch)	Chime	Ringin Phone	Mary had a little Lamb
Yelp (rapid siren)	Call Sign	Two Tone	Camptown Races
Rapid Hi-Lo	Train Ride	Alarm Clock	Amaryllis
Melody Chime	Gallop Hi-Lo	Ringin Hi-Lo	Mozart Symphony No. 40
Synthesized Piano	Alien Chatter	Fur Elise	Ave Maria
Synthesized Bell	Falling Crystals	Bach Minuet in Gmaj	Grandfather's Clock




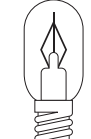
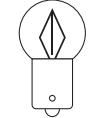
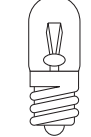

Type-F (Japan Only)				
Beep (slow intermittent)	Spring Melody	A Maiden's Prayer	Quiet Lakeside	BANZAI SUKIDE YOKATTA
Stutter (rapid intermittent)	Game Intermission	Bach Minuet in Gmaj	The Music Man	NAMONAKI UTA
Bell (clear high-pitch)	Jalopy Horn	Annie Laurie	Spanish Romance	SOUSEINO AKUERION
Yelp (rapid siren)	ET Doorbell	London Bridge is falling down	Katyusha	MAMMO NO 5
Rapid Hi-Lo	RR-crossing	Holdiridia	Ave Maria	The Parade of the Tin Soldiers
Melody Chime	Digital Train Whistle	Mary had a little Lamb	Grandfather's Clock	Turkey in the Straw
Synthesized Piano	Train Ride	The Camptown Races	RHYTHM AND POLICE	Aka tombo
Synthesized Bell	Starting Notice Chime1	Cuckoo Song	ZANKOKUNA TENSHINO TEEZE	Funiculi, Funicula
Stutter + Bell	Starting Notice Chime2	Village Blacksmith	MAJINGAA ZETTO	Furusato
Melody Chime	Starting Notice Chime3	On the Bridge of Avignon	HATARAKU KURUMA	Beautiful Dreamer
Chime	Ending Notice Chime1	Daydream Believer	NINGENTTE IINA	JOLLY HOLIDAY
Call Sign	Ending Notice Chime2	Amaryllis	ROBINSON	
Galactic Hovercraft	Fur Elise	Mozart Symphony No. 40	WORLD FOOTBALL ANTHEM	

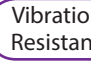
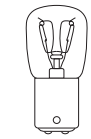

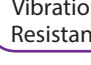
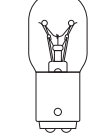

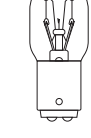

Type-G (Worldwide)				
Beep (slow intermittent)	Gallop Hi-Lo	ET Doorbell	Mozart Symphony No. 40	Polka Trablanka
Stutter (rapid intermittent)	Alien Chatter	RR-crossing	Ave Maria	O Vreneli
Bell (clear high-pitch)	Falling Crystals	Starting Notice Chime1	Grandfather's Clock	KAERUNO GASSHOU
Yelp (rapid siren)	Inverted Reveille	Starting Notice Chime2	The Parade of the Tin Soldiers	El Condor Pasa (If I Could)
Rapid Hi-Lo	Galactic Motor	Ending Notice Chime1	If You're Happy and You Know It	Hungarian Dance No.5
Melody Chime	Ringin Phone	Ending Notice Chime2	Flea Waltz	William Tell Overture
Synthesized Piano	Two Tone	Fur Elise	Turkey in the Straw	Pomp and Circumstance
Synthesized Bell	Alarm Clock	Bach Minuet in Gmaj	The Battle Hymn of the Republic	Comedians' Galop
Stutter + Bell	Ringin Hi-Lo	Annie Laurie	J'ai perdu le do de ma clarinette	Nedelka
Melody Chime	Galactic Hovercraft	London Bridge is falling down	Can-can	Moonlight Serenade
Chime	Spring Melody	Mary had a little Lamb	Radetzky March	WAREWA UMINO KO
Call Sign	Game Intermission	The Camptown Races	Funiculi, Funicula	
Train Ride	Jalopy Horn	Amaryllis	Csikos Post	

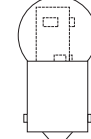
## Use of Copyrighted Material

PATLITE Corporation has not applied for permission to use certain copyrighted music or songs recorded for Type-A, Type-C, Type-D and Type-F melody charts outside of Japan. Therefore, please contact the local copyright association for permission before using the product in case this product is used outside of Japan. Melody charts Type-E and Type-G are recommended for use outside of Japan as this playlist does not include copyrighted music or songs, and permission is not required.

# Replacement Bulbs

Model	Bulb No.	Ratings	Part No.
 RP35/BA15S	1	12V 35W	D01203501-F1
	2	24V 35W	D02403501-F1
 RP35/BA15D	5	48V 35W	D04803502-F1
 G18/BA15S	8	6V 3W	D00600303-F1
	9	12V 10W	D01201003A-F1
	10	24V 10W	D02401003A-F1
	11	48V 10W	D04801003-F1
	12	12V 5W	D01200503A-F1
 T20/E12	13	30V 10W	D03001006A-F1
	14	110V 10W	D11001006A-F1
	15	220V 10W	D22001006A-F1
	16	110V 15W	D11001506A-F1
	17	220V 15W	D22001506A-F1
 G14/BA9S	18	12V 6W	D01200604-F1
	19	24V 6W	D02400604-F1
 T10/E10	22	110V 3W	D11000307-F1
	27	12V 0.11A	D012/1107-F1
	28	24V 0.11A	D024/1107-F1
 RP35/BA15D	36	120V 40W (Vibration Resistant)	D12004024-F1
	37	220V 30W	D22003024-F1

Model	Bulb No.	Ratings	Part No.
 Vibration Resistant	39	28V 11W	D02801111-F1
 T20/BA15D	40	110V 12W	D11001211-F1
	41	250V 11W	D25001111-F1
 S25/BA15S	42	12V 23W	D01202305-F1
	43	24V 25W	D02402505-F1
 Vibration Resistant	50	28V 20W	D02802011-F1
 T20/BA15D			
 Vibration Resistant	51	110V 20W	D11002011-F1
 T20/BA15D	53	250V 20W	D25002011-F1
	 G18/BA15S	54	12V 15W
55		24V 20W	D02402003-F1

	9	AC12V (50/60Hz) 1.7W (at 13.5VAC)	DEB-15SBA-CL
---	---	--------------------------------------	--------------

\* Some bulbs may not be available due to part or product discontinuation without prior notice.

## Look for this Mark:

Model **DEB LED Lamp**

**Recommended Product**

For more details on Model DEB Refer to the "Replacement Bulb" Section at the end of this Catalog



# UL Certification Model Model Comparison Table

The "UL Registration Model", which has acquired the UL certification, is printed on the model's name plate as is for our company product. The "UL Registration Model" does not show the tier number of the actual model. Therefore, please refer to the following model comparison table when choosing the model you need. When making an order, please verify the detailed information, such as product color, etc., which is listed on the page for each product. (As of June, 30, 2011)

Model	UL Registration Model	Model	UL Registration Model	Model	UL Registration Model
ME-102A	ME_02A	LCE-1M2AFBW	LCE_ M2AFBW	LE-102FBW	LE_02FBW
ME-202A	ME_02A	LCE-2M2AFBW	LCE_ M2AFBW	LE-202FBW	LE_02FBW
ME-302A	ME_02A	LCE-3M2AFBW	LCE_ M2AFBW	LE-302FBW	LE_02FBW
ME-402A	ME_02A	LCE-4M2AFBW	LCE_ M2AFBW	LE-402FBW	LE_02FBW
ME-502A	ME_02A	LCE-5M2AFBW	LCE_ M2AFBW	LE-502FBW	LE_02FBW
MES-102A	MES_02A	LCS-102A	LCS_02A	LFH-12	LFH-12
MES-202A	MES_02A	LCS-202A	LCS_02A	LFH-24	LFH-24
MES-302A	MES_02A	LCS-302A	LCS_02A	LFH-48	LFH-48
MES-402A	MES_02A	LCS-402A	LCS_02A	LFH-M2	LFH-M2
MES-502A	MES_02A	LCS-502A	LCS_02A	LME-102	LME_02
MP-102	MP_02	LCS-102AK	LCS_02AK	LME-202	LME_02
MP-202	MP_02	LCS-202AK	LCS_02AK	LME-302	LME_02
MP-302	MP_02	LCS-302AK	LCS_02AK	LME-402	LME_02
MP-402	MP_02	LCS-402AK	LCS_02AK	LME-502	LME_02
MP-502	MP_02	LCS-502AK	LCS_02AK	LME-102L	LME_02L
MPS-102	MPS_02	LES-102A	LES_02A	LME-202L	LME_02L
MPS-202	MPS_02	LES-202A	LES_02A	LME-302L	LME_02L
MPS-302	MPS_02	LES-302A	LES_02A	LME-402L	LME_02L
MPS-402	MPS_02	LES-402A	LES_02A	LME-502L	LME_02L
MPS-502	MPS_02	LES-502A	LES_02A	LME-102W	LME_02W
LCE-102A	LCE_02A	LES-102AW	LES_02AW	LME-202W	LME_02W
LCE-202A	LCE_02A	LES-202AW	LES_02AW	LME-302W	LME_02W
LCE-302A	LCE_02A	LES-302AW	LES_02AW	LME-402W	LME_02W
LCE-402A	LCE_02A	LES-402AW	LES_02AW	LME-502W	LME_02W
LCE-502A	LCE_02A	LES-502AW	LES_02AW	LME-102FB	LME_02FB
LCE-1M2A	LCE_ M2A	LE-101P	LE_01P	LME-202FB	LME_02FB
LCE-2M2A	LCE_ M2A	LE-201P	LE_01P	LME-302FB	LME_02FB
LCE-3M2A	LCE_ M2A	LE-301P	LE_01P	LME-402FB	LME_02FB
LCE-4M2A	LCE_ M2A	LE-401P	LE_01P	LME-502FB	LME_02FB
LCE-5M2A	LCE_ M2A	LE-501P	LE_01P	LME-102FBL	LME_02FBL
LCE-102AW	LCE_02AW	LE-102P	LE_02P	LME-202FBL	LME_02FBL
LCE-202AW	LCE_02AW	LE-202P	LE_02P	LME-302FBL	LME_02FBL
LCE-302AW	LCE_02AW	LE-302P	LE_02P	LME-402FBL	LME_02FBL
LCE-402AW	LCE_02AW	LE-402P	LE_02P	LME-502FBL	LME_02FBL
LCE-502AW	LCE_02AW	LE-502P	LE_02P	LME-102FBK	LME_02FBK
LCE-1M2AW	LCE_ M2AW	LE-101W	LE_01W	LME-202FBK	LME_02FBK
LCE-2M2AW	LCE_ M2AW	LE-201W	LE_01W	LME-302FBK	LME_02FBK
LCE-3M2AW	LCE_ M2AW	LE-301W	LE_01W	LME-402FBK	LME_02FBK
LCE-4M2AW	LCE_ M2AW	LE-401W	LE_01W	LME-502FBK	LME_02FBK
LCE-5M2AW	LCE_ M2AW	LE-501W	LE_01W	LME-102FBW	LME_02FBW
LCE-102AFB	LCE_02AFB	LE-102W	LE_02W	LME-202FBW	LME_02FBW
LCE-202AFB	LCE_02AFB	LE-202W	LE_02W	LME-302FBW	LME_02FBW
LCE-302AFB	LCE_02AFB	LE-302W	LE_02W	LME-402FBW	LME_02FBW
LCE-402AFB	LCE_02AFB	LE-402W	LE_02W	LME-502FBW	LME_02FBW
LCE-502AFB	LCE_02AFB	LE-502W	LE_02W	LME-112	LME_12
LCE-1M2AFB	LCE_ M2AFB	LE-101FBP	LE_01FBP	LME-212	LME_12
LCE-2M2AFB	LCE_ M2AFB	LE-201FBP	LE_01FBP	LME-312	LME_12
LCE-3M2AFB	LCE_ M2AFB	LE-301FBP	LE_01FBP	LME-412	LME_12
LCE-4M2AFB	LCE_ M2AFB	LE-401FBP	LE_01FBP	LME-512	LME_12
LCE-5M2AFB	LCE_ M2AFB	LE-501FBP	LE_01FBP	LME-112L	LME_12L
LCE-102AFBK	LCE_02AFBK	LE-102FBP	LE_02FBP	LME-212L	LME_12L
LCE-202AFBK	LCE_02AFBK	LE-202FBP	LE_02FBP	LME-312L	LME_12L
LCE-302AFBK	LCE_02AFBK	LE-302FBP	LE_02FBP	LME-412L	LME_12L
LCE-402AFBK	LCE_02AFBK	LE-402FBP	LE_02FBP	LME-512L	LME_12L
LCE-502AFBK	LCE_02AFBK	LE-502FBP	LE_02FBP	LME-112W	LME_12W
LCE-102AFBK	LCE_ M2AFBK	LE-101FBW	LE_01FBW	LME-212W	LME_12W
LCE-202AFBK	LCE_ M2AFBK	LE-201FBW	LE_01FBW	LME-312W	LME_12W
LCE-302AFBK	LCE_ M2AFBK	LE-301FBW	LE_01FBW	LME-412W	LME_12W
LCE-402AFBK	LCE_ M2AFBK	LE-401FBW	LE_01FBW	LME-512W	LME_12W
LCE-502AFBK	LCE_ M2AFBK	LE-501FBW	LE_01FBW	—	—

Model	UL Registration Model	Model	UL Registration Model	Model	UL Registration Model
LME-112FB	LME-_12FB	LME-102UW	LME-_02UW	LME-112UFBK	LME-_12UFBK
LME-212FB	LME-_12FB	LME-202UW	LME-_02UW	LME-212UFBK	LME-_12UFBK
LME-312FB	LME-_12FB	LME-302UW	LME-_02UW	LME-312UFBK	LME-_12UFBK
LME-412FB	LME-_12FB	LME-402UW	LME-_02UW	LME-412UFBK	LME-_12UFBK
LME-512FB	LME-_12FB	LME-502UW	LME-_02UW	LME-512UFBK	LME-_12UFBK
LME-112FBL	LME-_12FBL	LME-102UFB	LME-_02UFB	LME-112UFBW	LME-_12UFBW
LME-212FBL	LME-_12FBL	LME-202UFB	LME-_02UFB	LME-212UFBW	LME-_12UFBW
LME-312FBL	LME-_12FBL	LME-302UFB	LME-_02UFB	LME-312UFBW	LME-_12UFBW
LME-412FBL	LME-_12FBL	LME-402UFB	LME-_02UFB	LME-412UFBW	LME-_12UFBW
LME-512FBL	LME-_12FBL	LME-502UFB	LME-_02UFB	LME-512UFBW	LME-_12UFBW
LME-112FBK	LME-_12FBK	LME-102UFBL	LME-_02UFBL	LME-123U	LME-_23
LME-212FBK	LME-_12FBK	LME-202UFBL	LME-_02UFBL	LME-223U	LME-_23
LME-312FBK	LME-_12FBK	LME-302UFBL	LME-_02UFBL	LME-323U	LME-_23
LME-412FBK	LME-_12FBK	LME-402UFBL	LME-_02UFBL	LME-423U	LME-_23
LME-512FBK	LME-_12FBK	LME-502UFBL	LME-_02UFBL	LME-523U	LME-_23
LME-112FBW	LME-_12FBW	LME-102UFBK	LME-_02UFBK	LME-123UL	LME-_23UL
LME-212FBW	LME-_12FBW	LME-202UFBK	LME-_02UFBK	LME-223UL	LME-_23UL
LME-312FBW	LME-_12FBW	LME-302UFBK	LME-_02UFBK	LME-323UL	LME-_23UL
LME-412FBW	LME-_12FBW	LME-402UFBK	LME-_02UFBK	LME-423UL	LME-_23UL
LME-512FBW	LME-_12FBW	LME-502UFBK	LME-_02UFBK	LME-523UL	LME-_23UL
LME-123	LME-_23	LME-102UFBW	LME-_02UFBW	LME-123UW	LME-_23UW
LME-223	LME-_23	LME-202UFBW	LME-_02UFBW	LME-223UW	LME-_23UW
LME-323	LME-_23	LME-302UFBW	LME-_02UFBW	LME-323UW	LME-_23UW
LME-423	LME-_23	LME-402UFBW	LME-_02UFBW	LME-423UW	LME-_23UW
LME-523	LME-_23	LME-502UFBW	LME-_02UFBW	LME-523UW	LME-_23UW
LME-123L	LME-_23L	LME-112U	LME-_12U	LME-123UFB	LME-_23UFB
LME-223L	LME-_23L	LME-212U	LME-_12U	LME-223UFB	LME-_23UFB
LME-323L	LME-_23L	LME-312U	LME-_12U	LME-323UFB	LME-_23UFB
LME-423L	LME-_23L	LME-412U	LME-_12U	LME-423UFB	LME-_23UFB
LME-523L	LME-_23L	LME-512U	LME-_12U	LME-523UFB	LME-_23UFB
LME-123W	LME-_23W	LME-112UL	LME-_12UL	LME-123UFBL	LME-_23UFBL
LME-223W	LME-_23W	LME-212UL	LME-_12UL	LME-223UFBL	LME-_23UFBL
LME-323W	LME-_23W	LME-312UL	LME-_12UL	LME-323UFBL	LME-_23UFBL
LME-423W	LME-_23W	LME-412UL	LME-_12UL	LME-423UFBL	LME-_23UFBL
LME-523W	LME-_23W	LME-512UL	LME-_12UL	LME-523UFBL	LME-_23UFBL
LME-123FB	LME-_23FB	LME-112UW	LME-_12UW	LME-123UFBK	LME-_23UFBK
LME-223FB	LME-_23FB	LME-212UW	LME-_12UW	LME-223UFBK	LME-_23UFBK
LME-323FB	LME-_23FB	LME-312UW	LME-_12UW	LME-323UFBK	LME-_23UFBK
LME-423FB	LME-_23FB	LME-412UW	LME-_12UW	LME-423UFBK	LME-_23UFBK
LME-523FB	LME-_23FB	LME-512UW	LME-_12UW	LME-523UFBK	LME-_23UFBK
LME-123FBL	LME-_23FBL	LME-112U	LME-_12U	LME-123UFBW	LME-_23UFBW
LME-223FBL	LME-_23FBL	LME-212U	LME-_12U	LME-223UFBW	LME-_23UFBW
LME-323FBL	LME-_23FBL	LME-312U	LME-_12U	LME-323UFBW	LME-_23UFBW
LME-423FBL	LME-_23FBL	LME-412U	LME-_12U	LME-423UFBW	LME-_23UFBW
LME-523FBL	LME-_23FBL	LME-512U	LME-_12U	LME-523UFBW	LME-_23UFBW
LME-123FBK	LME-_23FBK	LME-112UL	LME-_12UL	LME-102N	LME-_02N
LME-223FBK	LME-_23FBK	LME-212UL	LME-_12UL	LME-202N	LME-_02N
LME-323FBK	LME-_23FBK	LME-312UL	LME-_12UL	LME-302N	LME-_02N
LME-423FBK	LME-_23FBK	LME-412UL	LME-_12UL	LME-402N	LME-_02N
LME-523FBK	LME-_23FBK	LME-512UL	LME-_12UL	LME-502N	LME-_02N
LME-123FBW	LME-_23FBW	LME-112UW	LME-_12UW	LME-102NL	LME-_02NL
LME-223FBW	LME-_23FBW	LME-212UW	LME-_12UW	LME-202NL	LME-_02NL
LME-323FBW	LME-_23FBW	LME-312UW	LME-_12UW	LME-302NL	LME-_02NL
LME-423FBW	LME-_23FBW	LME-412UW	LME-_12UW	LME-402NL	LME-_02NL
LME-523FBW	LME-_23FBW	LME-512UW	LME-_12UW	LME-502NL	LME-_02NL
LME-102U	LME-_02U	LME-112UFB	LME-_12UFB	LME-102NW	LME-_02NW
LME-202U	LME-_02U	LME-212UFB	LME-_12UFB	LME-202NW	LME-_02NW
LME-302U	LME-_02U	LME-312UFB	LME-_12UFB	LME-302NW	LME-_02NW
LME-402U	LME-_02U	LME-412UFB	LME-_12UFB	LME-402NW	LME-_02NW
LME-502U	LME-_02U	LME-512UFB	LME-_12UFB	LME-502NW	LME-_02NW
LME-102UL	LME-_02UL	LME-112UFBL	LME-_12UFBL	LME-102NFB	LME-_02NFB
LME-202UL	LME-_02UL	LME-212UFBL	LME-_12UFBL	LME-202NFB	LME-_02NFB
LME-302UL	LME-_02UL	LME-312UFBL	LME-_12UFBL	LME-302NFB	LME-_02NFB
LME-402UL	LME-_02UL	LME-412UFBL	LME-_12UFBL	LME-402NFB	LME-_02NFB
LME-502UL	LME-_02UL	LME-512UFBL	LME-_12UFBL	LME-502NFB	LME-_02NFB



# UL Certification Model Model Comparison Table

The "UL Registration Model", which has acquired the UL certification, is printed on the model's name plate as is for our company product. The "UL Registration Model" does not show the tier number of the actual model. Therefore, please refer to the following model comparison table when choosing the model you need. When making an order, please verify the detailed information, such as product color, etc., which is listed on the page for each product. (As of June, 30, 2011)

Model	UL Registration Model	Model	UL Registration Model	Model	UL Registration Model
LME-102NFBL	LME-_02NFBL	LME-123NW	LME-_23NW	LMS-102K	LMS-_02K
LME-202NFBL	LME-_02NFBL	LME-223NW	LME-_23NW	LMS-202K	LMS-_02K
LME-302NFBL	LME-_02NFBL	LME-323NW	LME-_23NW	LMS-302K	LMS-_02K
LME-402NFBL	LME-_02NFBL	LME-423NW	LME-_23NW	LMS-402K	LMS-_02K
LME-502NFBL	LME-_02NFBL	LME-523NW	LME-_23NW	LMS-502K	LMS-_02K
LME-102NFBK	LME-_02NFBK	LME-123NFB	LME-_23NFB	LHE-102A	LHE-_02A
LME-202NFBK	LME-_02NFBK	LME-223NFB	LME-_23NFB	LHE-202A	LHE-_02A
LME-302NFBK	LME-_02NFBK	LME-323NFB	LME-_23NFB	LHE-302A	LHE-_02A
LME-402NFBK	LME-_02NFBK	LME-423NFB	LME-_23NFB	LHE-402A	LHE-_02A
LME-502NFBK	LME-_02NFBK	LME-523NFB	LME-_23NFB	LHE-502A	LHE-_02A
LME-102NFBW	LME-_02NFBW	LME-123NFBL	LME-_23NFBL	LHE-102AFB	LHE-_02AFB
LME-202NFBW	LME-_02NFBW	LME-223NFBL	LME-_23NFBL	LHE-202AFB	LHE-_02AFB
LME-302NFBW	LME-_02NFBW	LME-323NFBL	LME-_23NFBL	LHE-302AFB	LHE-_02AFB
LME-402NFBW	LME-_02NFBW	LME-423NFBL	LME-_23NFBL	LHE-402AFB	LHE-_02AFB
LME-502NFBW	LME-_02NFBW	LME-523NFBL	LME-_23NFBL	LHE-502AFB	LHE-_02AFB
LME-112N	LME-_12N	LME-123NFBK	LME-_23NFBK	LHE-112A	LHE-_12A
LME-212N	LME-_12N	LME-223NFBK	LME-_23NFBK	LHE-212A	LHE-_12A
LME-312N	LME-_12N	LME-323NFBK	LME-_23NFBK	LHE-312A	LHE-_12A
LME-412N	LME-_12N	LME-423NFBK	LME-_23NFBK	LHE-412A	LHE-_12A
LME-512N	LME-_12N	LME-523NFBK	LME-_23NFBK	LHE-512A	LHE-_12A
LME-112NL	LME-_12NL	LME-123NFBW	LME-_23NFBW	LHE-112AFB	LHE-_12AFB
LME-212NL	LME-_12NL	LME-223NFBW	LME-_23NFBW	LHE-212AFB	LHE-_12AFB
LME-312NL	LME-_12NL	LME-323NFBW	LME-_23NFBW	LHE-312AFB	LHE-_12AFB
LME-412NL	LME-_12NL	LME-423NFBW	LME-_23NFBW	LHE-412AFB	LHE-_12AFB
LME-512NL	LME-_12NL	LME-523NFBW	LME-_23NFBW	LHE-512AFB	LHE-_12AFB
LME-112NW	LME-_12NW	LME-102-S □	LME-_02-S	LHE-123A	LHE-_23A
LME-212NW	LME-_12NW	LME-102-Q □	LME-_02-Q	LHE-223A	LHE-_23A
LME-312NW	LME-_12NW	LME-102W-S □	LME-_02W-S	LHE-323A	LHE-_23A
LME-412NW	LME-_12NW	LME-102W-Q □	LME-_02W-Q	LHE-423A	LHE-_23A
LME-512NW	LME-_12NW	LME-102FB-S □	LME-_02FB-S	LHE-523A	LHE-_23A
LME-112NFB	LME-_12NFB	LME-102FB-Q □	LME-_02FB-Q	LHE-123AFB	LHE-_23AFB
LME-212NFB	LME-_12NFB	LME-102FBW-S □	LME-_02FBW-S	LHE-223AFB	LHE-_23AFB
LME-312NFB	LME-_12NFB	LME-102FBW-Q □	LME-_02FBW-Q	LHE-323AFB	LHE-_23AFB
LME-412NFB	LME-_12NFB	LME-112-S □	LME-_12-S	LHE-423AFB	LHE-_23AFB
LME-512NFB	LME-_12NFB	LME-112-Q □	LME-_12-Q	LHE-523AFB	LHE-_23AFB
LME-112NFBL	LME-_12NFBL	LME-112W-S □	LME-_12W-S	WEP-302	WEP-_02
LME-212NFBL	LME-_12NFBL	LME-112W-Q □	LME-_12W-Q	WEP-402	WEP-_02
LME-312NFBL	LME-_12NFBL	LME-112FB-S □	LME-_12FB-S	WEP-502	WEP-_02
LME-412NFBL	LME-_12NFBL	LME-112FB-Q □	LME-_12FB-Q	WE-302	WE-_02
LME-512NFBL	LME-_12NFBL	LME-102FBW-S □	LME-_02FBW-S	WE-402	WE-_02
LME-112NFBK	LME-_12NFBK	LME-112FBW-Q □	LME-_12FBW-Q	WE-502	WE-_02
LME-212NFBK	LME-_12NFBK	LME-123-S □	LME-_23-S	WEP-302FB	WEP-_02FB
LME-312NFBK	LME-_12NFBK	LME-123-Q □	LME-_23-Q	WEP-402FB	WEP-_02FB
LME-412NFBK	LME-_12NFBK	LME-123W-S □	LME-_23W-S	WEP-502FB	WEP-_02FB
LME-512NFBK	LME-_12NFBK	LME-123W-Q □	LME-_23W-Q	WE-302FB	WE-_02FB
LME-112NFBW	LME-_12NFBW	LME-123FB-S □	LME-_23FB-S	WE-402FB	WE-_02FB
LME-212NFBW	LME-_12NFBW	LME-123FB-Q □	LME-_23FB-Q	WE-502FB	WE-_02FB
LME-312NFBW	LME-_12NFBW	LME-123FBW-S □	LME-_23FBW-S	WME-202A	WME-_02A
LME-412NFBW	LME-_12NFBW	LME-123FBW-Q □	LME-_23FBW-Q	WME-302A	WME-_02A
LME-512NFBW	LME-_12NFBW	LMS-102	LMS-_02	WME-402A	WME-_02A
LME-123N	LME-_23N	LMS-202	LMS-_02	WME-502A	WME-_02A
LME-223N	LME-_23N	LMS-302	LMS-_02	WME-2M2A	WME-_M2A
LME-323N	LME-_23N	LMS-402	LMS-_02	WME-3M2A	WME-_M2A
LME-423N	LME-_23N	LMS-502	LMS-_02	WME-4M2A	WME-_M2A
LME-523N	LME-_23N	LMS-102L	LMS-_02L	WME-5M2A	WME-_M2A
LME-123NL	LME-_23NL	LMS-202L	LMS-_02L	WME-202AFB	WME-_02AFB
LME-223NL	LME-_23NL	LMS-302L	LMS-_02L	WME-302AFB	WME-_02AFB
LME-323NL	LME-_23NL	LMS-402L	LMS-_02L	WME-402AFB	WME-_02AFB
LME-423NL	LME-_23NL	LMS-502L	LMS-_02L	WME-502AFB	WME-_02AFB
LME-523NL	LME-_23NL	—	—	—	—





Patlite Sanda Factory & Tech Center

Sanda Factory



Patlite (U.S.A.) Corporation



Patlite Europe GmbH



Patlite Singapore



Patlite China



Patlite Korea



Taiwan Rep. Office

<http://www.patlite.com> e-mail: [overseas@patlite.co.jp](mailto:overseas@patlite.co.jp)

## PATLITE Corporation

4-11-14 Itachibori, Nishi-ku, Osaka, Japan 550-0012  
International Sales and Marketing Department  
TEL: +81-6-7688-5400 FAX: +81-6-7688-5401

### PATLITE (U.S.A.) Corporation

20130 S. Western Ave. Torrance, CA90501, U.S.A. TEL: +1-310-328-3222 FAX: +1-310-328-2676

### PATLITE (SINGAPORE) PTE LTD

No.2 Leng Kee Road, #05-01 Thye Hong Centre, Singapore 159086 TEL: +65-6226-1111 FAX: +65-6324-1411

### PATLITE Europe GmbH

Am Soeldnermoos 8, D-85399 Hallbergmoos, Germany TEL.+49-811 9981 9770-0 FAX.+49-811 9981 9770-9

### PATLITE KOREA CO., LTD.

A-2603, Daesung D-POLIS, 543-1 Gasan-dong, Geumcheon-gu, Seoul, 153-719 TEL.+82-2-523-6636 FAX.+82-2-861-9919

### PATLITE Japan Representative Office in Taiwan

7F. No. 91, Huayin St, Datong District Taipei, Taiwan R.O.C TEL.+886-2-2555-1611 FAX.+886-2-2555-1621

### P.T. PATLITE INDONESIA (FACTORY)

LOT 321 Batamindo Industrial Park, Jalan Beringin Mukakuning, Batam 29433 Indonesia TEL.+62-770-61-1123 FAX.+62-770-61-2444

ISO14001/ISO9001Certified



Headquarters/Sanda Plant/Techno Center



PT. PATLITE INDONESIA



To ensure correct use of these products, read the Instruction Manual prior to use.  
Failure to follow all safeguards can result in fire, electric shock, or other accidents.  
Specifications are subject to change without notice.

C0120C 1310C(C)/C(UN)A

# PATLITE

PATLITE

New Frontiers in Safety, Security and Comfort.



PATLITE ECO PROJECT

For the benefit of mankind and the earth, PATLITE is committed to developing environmentally friendly products.

[www.patlite.com](http://www.patlite.com)