

# RU/ RUP/ RS

## Revolving Warning Light



RU

RUP



Optional Rubber Gasket SZ-210



RS

**Bulb**

**IP55** with SZ-210

**Φ82**

## Compact Revolving Warning Light perfectly designed for small devices.

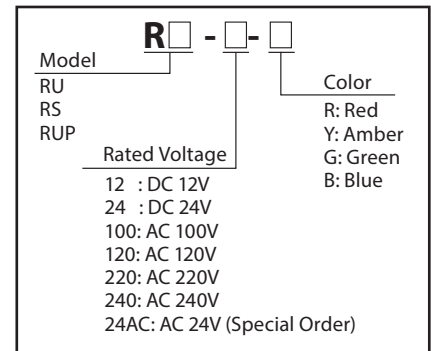
### FEATURES

- Indoors allows upright, inverted, and sideways installation; outdoors allows upright installation only.
- Has the CE mark and conforms to the requirements (for 12V, 24V type only) for the EC directive.
- Dome is made from superior impact and heat resistant polycarbonate resin.
- Main body is made of impact and heat-resistant polycarbonate resin.
- Rotating parabolic reflector to enhance visibility from a distance.
- Vibration-resistant automobile bulb for extended bulb life.
- Available Colors are Red, Amber, Green, and Blue.

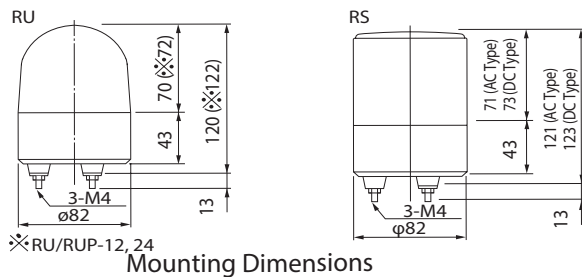
### AVAILABLE BY SPECIAL ORDER

- Body Color: Silver
- Mounting Pole and Bracket: Standard with RUP Series.

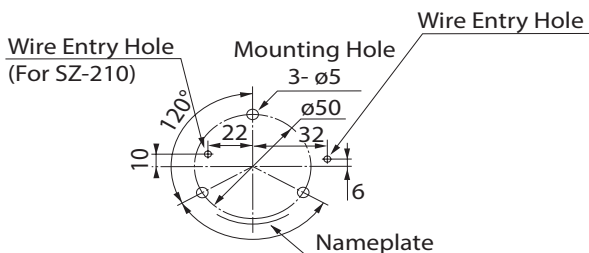
### How to Order



### Dimensions (Unit: mm)



### Specifications



Model	Rated Voltage	Current Consumption	Flash Rate (fpm)	Bulb		Mass	
				Ratings	Repl. No.	RU/RS	RUP
RU(P)/RS-12	DC 12V	0.5A	120	12V 6W	18	0.4kg	0.8kg
RU(P)/RS-24	DC 24V	0.3A		24V 6W	19		
RU(P)/RS-100	AC 100V	0.1A		12V 6W	18	0.6kg	1.0kg
RU(P)/RS-120	AC 120V						
RU(P)/RS-220	AC 220V	0.05A		24V 6W	19	0.4kg	0.8kg
RU(P)/RS-240	AC 240V						
◎ RU(P)/RS-24AC	AC 24V	0.3A					

◎ Available by Special Order