

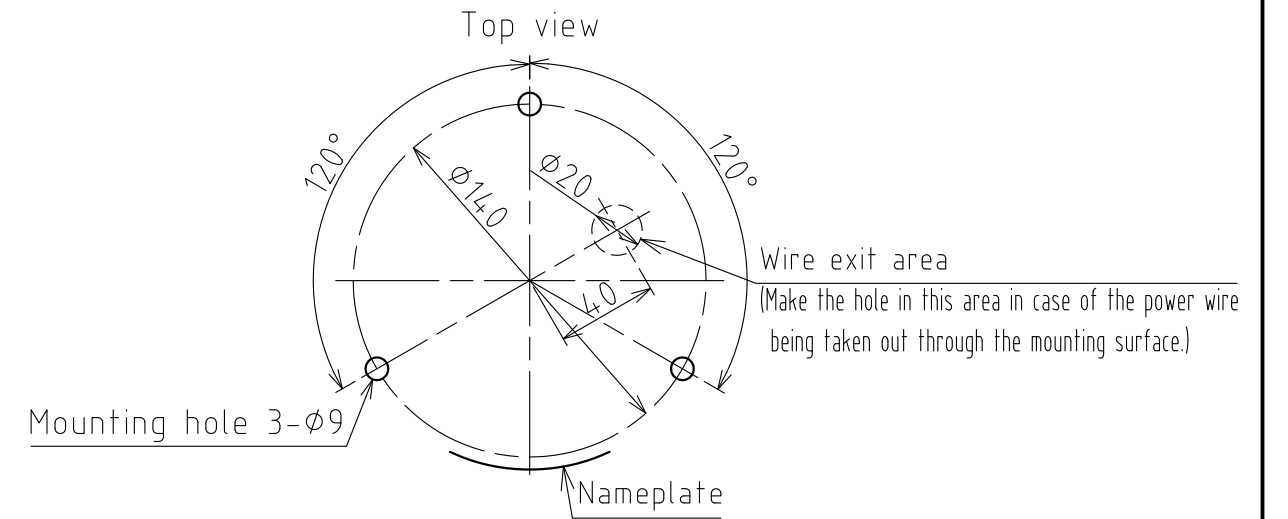
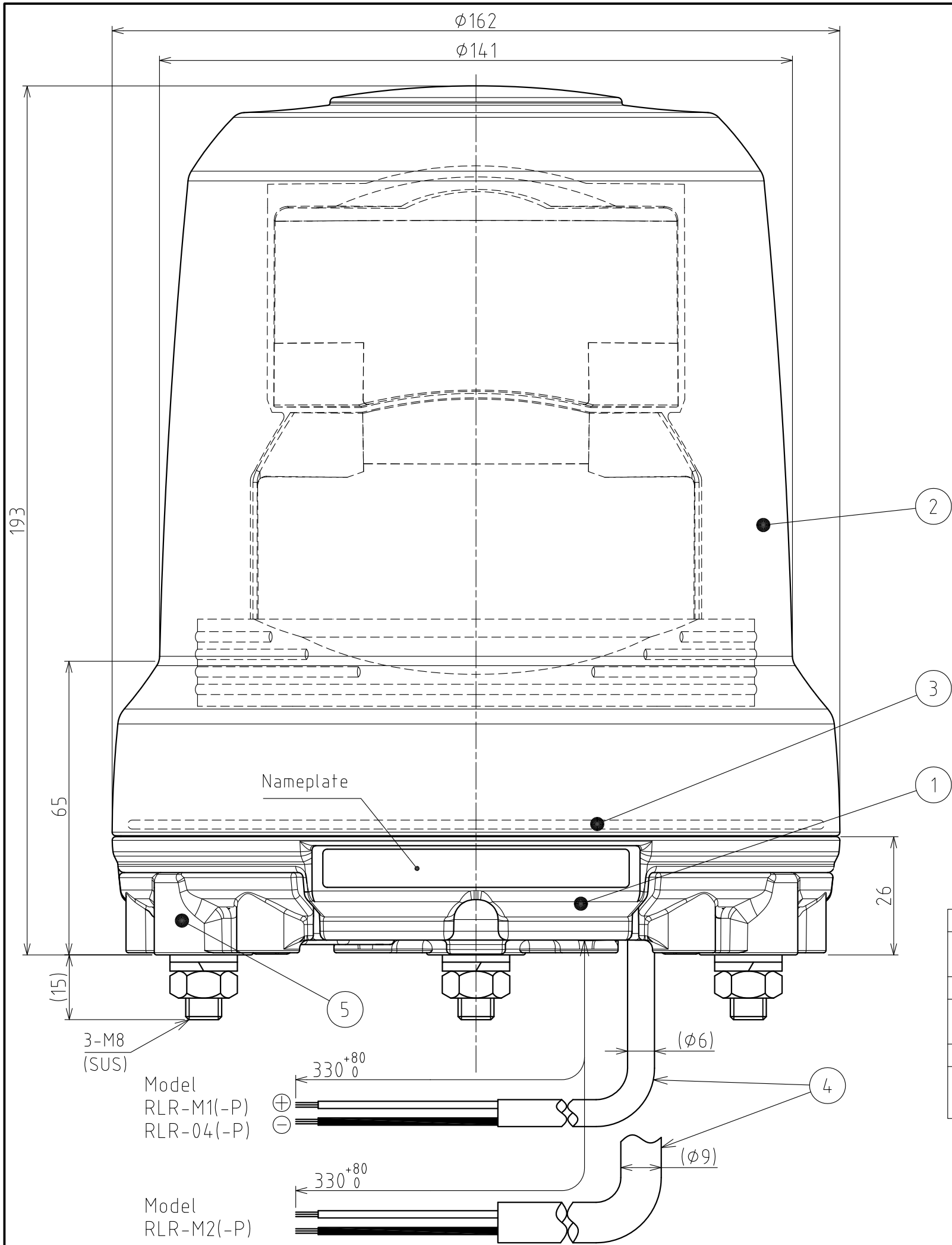
SPECIFICATIONS

[General Specifications]

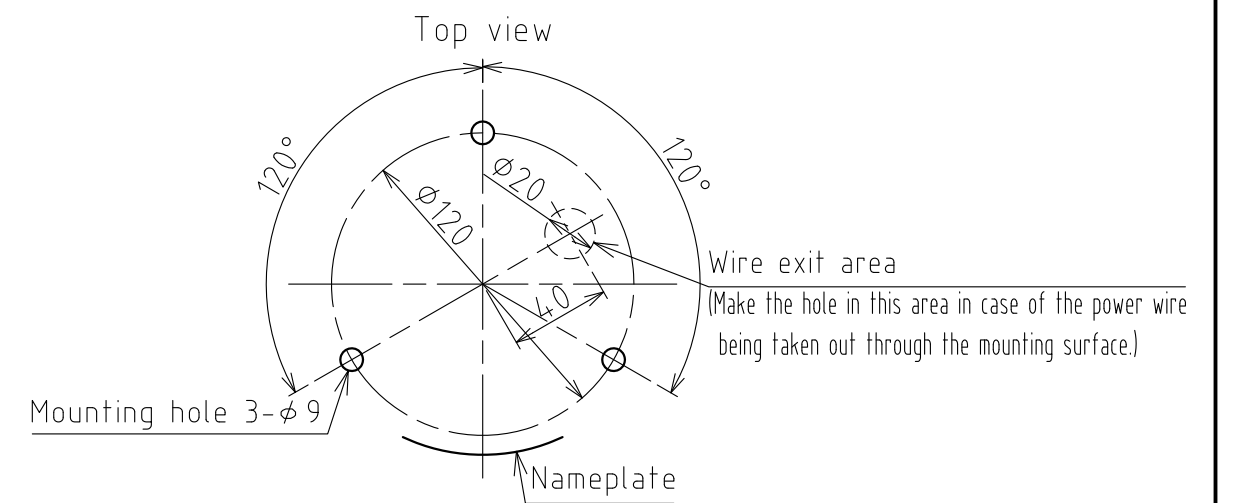
Model	RLR-M1	RLR-04	RLR-M2
Rated Voltage	12VDC / 24VDC	48VDC	100VAC to 240VAC (50/60Hz)
Operating Voltage Range	9VDC to 32VDC	35VDC to 60VDC	90VAC to 250VAC(50/60Hz)
Rated Power Consumption	7.6W	8.2W	7.8W
Inrush Current	12VDC: 12A, 0.3ms 24VDC: 23A, 0.3ms	48VDC: 0.5A, 800ms	100VAC: 11A, 0.7ms 200VAC: 21A, 0.7ms
Operating Ambient Temperature	-30°C to +70°C		-10°C to +50°C
Operating Ambient Humidity	Less than 90% (No condensation)		
Mounting Location	Indoors and Outdoors		
Mounting Direction	Upright, Inverted		
Protection Rating	IP66		
Vibration Resistance	110m/s ² (JIS D 1601-1995, 110 steps)		45m/s ² (JIS D 1601-1995, 45 steps)
Insulation Resistance	More than 1MΩ at 500VDC between the terminals and the chassis		
Withstand Voltage	500VAC applied for 1min between terminals and chassis without breaking insulation		1500VAC applied for 1min between terminals and chassis without breaking insulation
Flashing Rate	105±16 Flashes Per Minute		
Luminous Intensity	Red: 1,500cd Amber: 5,400cd Green: 3,900cd Blue: 1,000cd		
Mass	1.0±0.1kg		1.06±0.1kg
Outer Dimensions	Refer to the Outer Dimension Drawing		
Conformity Standards	CE/RoHS		RoHS
Remarks	<p style="text-align: center;">RLR-M1(-P) and RLR-04(-P) conform to the CE requirements. There are no contents of controlled substances exceeding the threshold for the RoHS Directive.</p> <p><Model name configuration> RLR - □□ - P - □</p> <div style="display: flex; justify-content: space-between; align-items: flex-start;"> <div style="margin-left: 100px;"> <p>[] None: Installation pitch circle φ140 -P: Installation pitch circle φ120</p> <p>[] M1: 12VDC / 24VDC 04: 48VDC M2: 100VAC to 240VAC</p> </div> <div style="margin-left: 100px;"> <p>[] R: Red Y: Amber G: Green B: Blue</p> </div> </div>		

No. RLR-W18D-1_2

PATLITE Corporation



RLR-□□: Mounting hole template (1:3)



RLR-□□-P: Mounting hole template (1:3)

5	Rubber foot	-	3	EPDM	Black
4	Power wire	-	1	RLR-M1/04: HVCTF, 0.5mm ² X2C RLR-M2: VCT, 0.75mm ² X2C	Black
3	O-ring	-	1	Silicone rubber	
2	Dome	-	1	PC resin	Red·Amber Green·Blue
1	Case	-	1	ABS resin	Black
番号 No.	部品名 Part Name	品目コード Part No.	数量 Qty.	材料 & 寸法 & 処理 Material & Size & Finish	記事 Remarks

外観図面
Outer Dimension Drawing

株式会社 パトライト
PATLITE Corporation

RLR-W18D-2_2