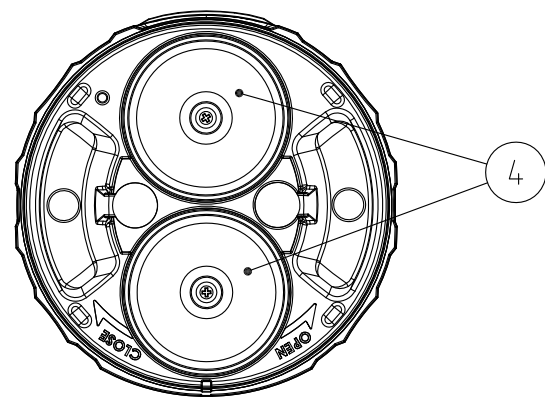
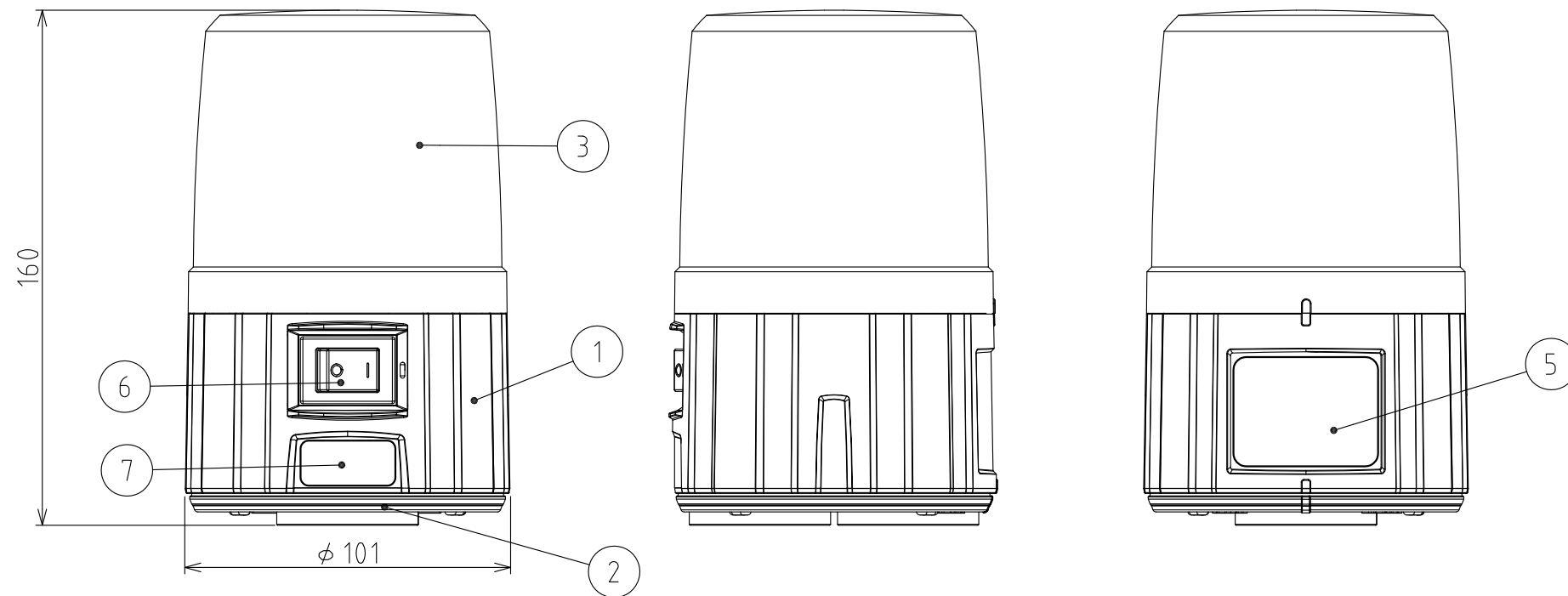


# SPECIFICATIONS

[General Specifications]

Model	PFH-BT-R	PFH-BT-Y
Color	Red	Amber
Rated Voltage	6VDC (4 - LR6 Alkaline dry cell batteries)	
Operating Ambient Temperature	- 10 °C to + 50°C (Battery is removed)	
Operating Ambient Humidity	Less than 90 %RH No condensation (Battery is removed)	
Storage Ambient Temperature	- 30 °C to + 60 °C (Battery is removed)	
Storage Ambient Humidity	Less than 90%RH No condensation (Battery is removed)	
Mounting Location	Indoors and Outdoors	
Mounting Direction	Upright ,Sideways (Power Switch is downward)	
Protection Rating	IP 55 (IEC 60529)	
Environmental Condition	Upright	
Flashing Mode	Power Mode / Eco Mode	
Flashing Pattern	Double-flash / Single-flash	
Peak luminous Intensity(Typ.)	40cd (Power Mode)	140cd (Power Mode)
Mass (Tolerance ±10%)	0.51 kg (Not including battery)	
Battery Lifespan	Power Mode:24hrs. *1 *2 Eco Mode:100hrs. *1 *2	
Outer Dimensions	Refer to the Outer Dimension Drawing	
Conformity Standards	RoHS Directive (EN 50581) EMC Directive (EN 61000-6-4, EN 61000-6-2)	
Remarks	<p>*1 Battery lifespan changes drastically, based on the operating environment conditions.</p> <p>*2 The data is based on ambient temperature of 25 °C, alkaline dry cell , and flash pattern set at double flash.</p>	
No. PFH-BT-W18C -1_2		

**PATLITE Corporation**



7	Caution Label		1		
6	Power Switch		1		
5	Name Plate		1		
4	Magnet		2		
3	Globe		1	PC (Red/Amber)	
2	Base		1	PC (Off-dark gray)	
1	Body		1	PC (Off-dark gray)	
番号 No.	部品名 Part Name	品目コード Part No.	数量 Qty.	材料 & 寸法 & 処理 Material & Size & Finish	記事 Remarks

外観図面  
Outer Dimension Drawing

株式会社 パトライト  
PATLITE Corporation

PFH-BT-W18C-2\_2