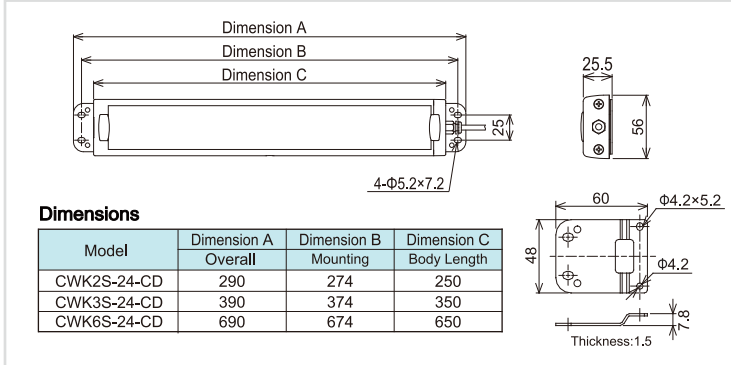
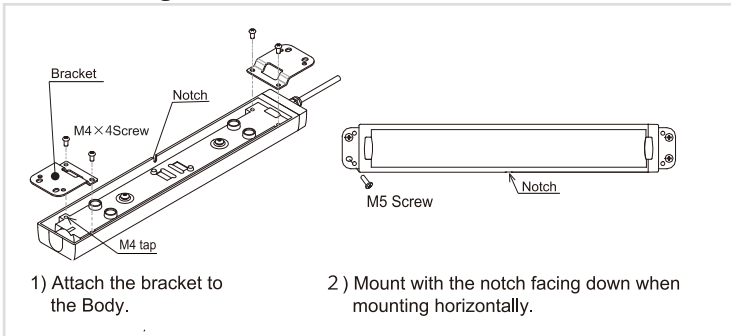


Dimensions

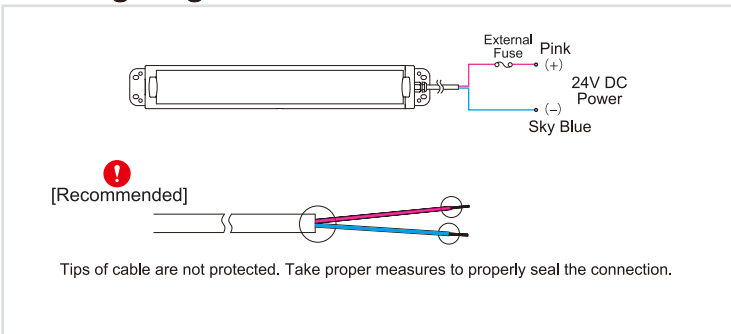
Unit : mm



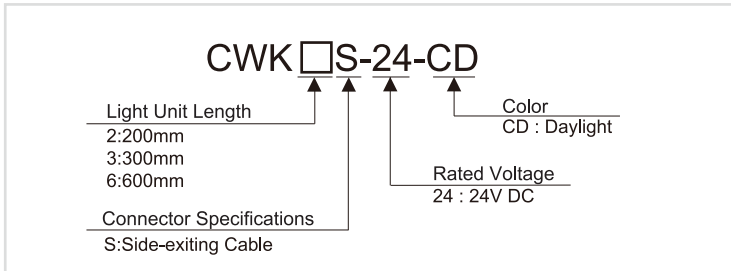
Mounting Method



Wiring Diagram



How to Order

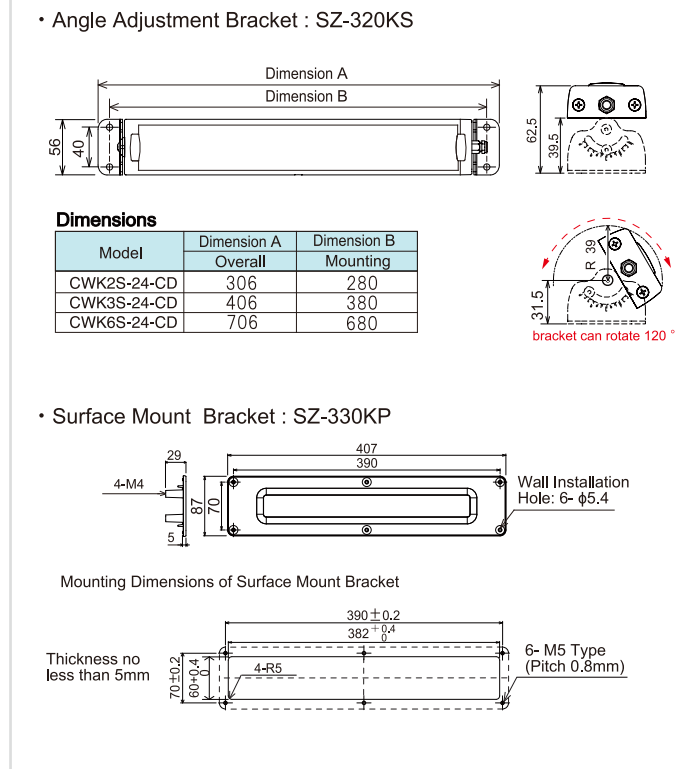


Specifications

Model	CWK2S-24	CWK3S-24	CWK6S-24
Luminous Color	Daylight		
Color Temperature (typ.)	6500 K		
Illuminance (typ.) (Center, at DC24V)	1.0m 600 lx	850 lx	1500 lx
Lumens (typical)	800 lm	1200 lm	2400 lm
Operating Voltage Range	24V DC ±10%		
Rated Current Consumption	360 mA ±10%	480 mA ±10%	960 mA ±10%
Rated Power Consumption	8.6 W	11.5 W	23 W
Operating Ambient Temperature	-10°C ~ +50°C		
Operation Ambient Humidity	90% RH or less, no condensation		
Main Unit Material	Body : Aluminum Alloy , Lens : Tempered Glass		
Cable length	3m		
Mounting Location	Indoor		
Protection Rating	IP66G/67G (JIS C0920)		
Insulation Resistance	500V DC 5MΩ or more		
Withstand Voltage	500V AC for 1 minute (between terminals and chassis)		
Vibration Resistance	30Hz 20 m/s ²		
Mass (Tolerance ±10%)	600 g	750 g	1230 g

Option Brackets

Unit : mm



PATLITE, the PATLITE logo are either registered trademarks or trademarks of PATLITE Corporation in JAPAN and/or other countries.

PATLITE Corporation

4-4-25, Hommachi, Chuo-ku, Osaka-shi, 541-0053 Japan
International Sales Division
TEL: +81-6-7711-8953 FAX: +81-6-7711-8961 E-mail: overseas@patlite.co.jp

PATLITE (U.S.A.) Corporation
20130 S. Western Ave. Torrance, CA 90501, U.S.A. TEL: +1-310-328-3222 FAX: +1-310-328-2676

PATLITE (SINGAPORE) PTE LTD
No.2 Leng Kee Road, #05-01 Thye Hong Centre, Singapore 159086 TEL: +65-6226-1111 FAX: +65-6324-1411

PATLITE (CHINA) Corporation
Room 512, Jufeng Business Building, No.697-3 Lingshi Road, Shanghai China 200072 TEL: +86-21-6630-8969 FAX: +86-21-6630-8938

PATLITE Europe GmbH
Am Soeldnermoos 8, D-85399 Hallbergmoos, Germany TEL:+49-811 9981 9770-0 FAX:+49-811 9981 9770-9

PATLITE KOREA CO., LTD.
A-2603, Daesung D-POLIS, 543-1 Gasan-dong, Geumcheon-gu, Seoul, 153-719 TEL:+82-2-523-6636 FAX:+82-2-861-9919

PATLITE TAIWAN CO., LTD.
7F, No. 91, Huayin St, Datong District Taipei, Taiwan R.O.C TEL:+886-2-2555-1611 FAX:+886-2-2555-1621

<http://www.patlite.com> E-mail: overseas@patlite.co.jp

O-3203A 1507 C/C(NPP)A

PATLITE®
New Frontiers in Safety, Security and Comfort.

Bright Light, Broad Coverage
Ideal for Machine Tools

LED Work light
CWK

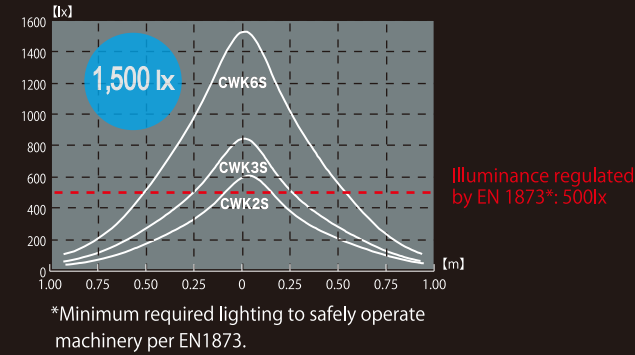
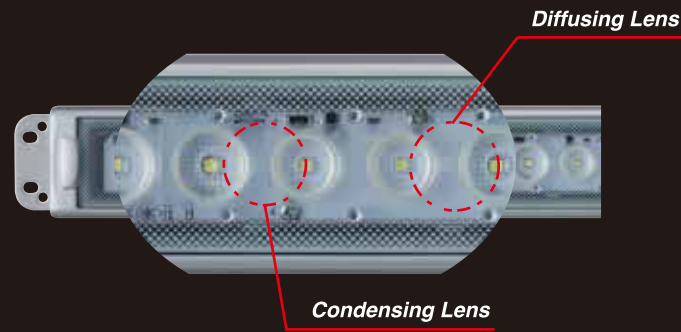
www.patlite.com





1. Lens Design for Optimal Light Distribution

PATLITE's unique lens design assures proper illumination so that the space inside the machine is brighter. Thus, an operator can work in a well lit environment safely and more productively.



The CWK meets the illumination needs of various machine sizes

Small-size Machines

Recommended Models

CWK2S
CWK3S

Light Distribution Diagram

0.5m from center

0.25m
0
0.25m

CWK2S
CWK3S

Mid-size Machines

CWK3S
CWK6S

1.0m from center

0.25m
0
0.25m

CWK3S
CWK6S

Large Machines

CWK6S

1.0m from center
1.5m from center

0.5m
0
0.5m

CWK6S
CWK6S

Comparison in irradiation range



- Provides better light dispersion than some other models.
- Use any of the three available lengths to achieve the desired illuminance according to the size and space inside the machine.



2. Compact Yet Durable

The CWK's compact design allows more processing space and its high resistance to cutting fluids and flying metal chips makes it ideal for machine tools.

CE RoHS UL CERTIFIED HARSH ENVIRONMENT 2G Vibration +50°C -10°C IP66G* IP67G*

G Rated to Protect Your Investment. Tested with several cutting fluids for 48 hours each without any damage or fluid penetration to the CWK.

Stainless Steel Bracket
3m Oil-resistant Cable
Tempered Glass
Aluminum Body

Tempered glass to protect internal components from flying debris.

Tested for resistance to common cutting oils.



3. Lower Maintenance Costs and Mounting Options

- Long-lasting LED (50,000 hrs., 25°C) no need to change ballast.
- Easier cleaning with a flat structure.
- Various mounting options.

The following brackets can be used to fit various mounting applications.

Included Brackets

Option : Angle Adjustment Brackets

SZ-320KS

Option : Surface Mount Bracket

SZ-330KP