

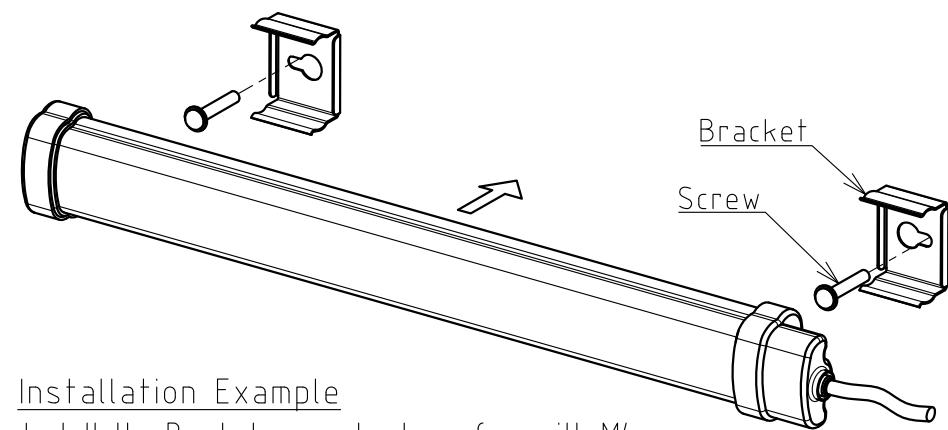
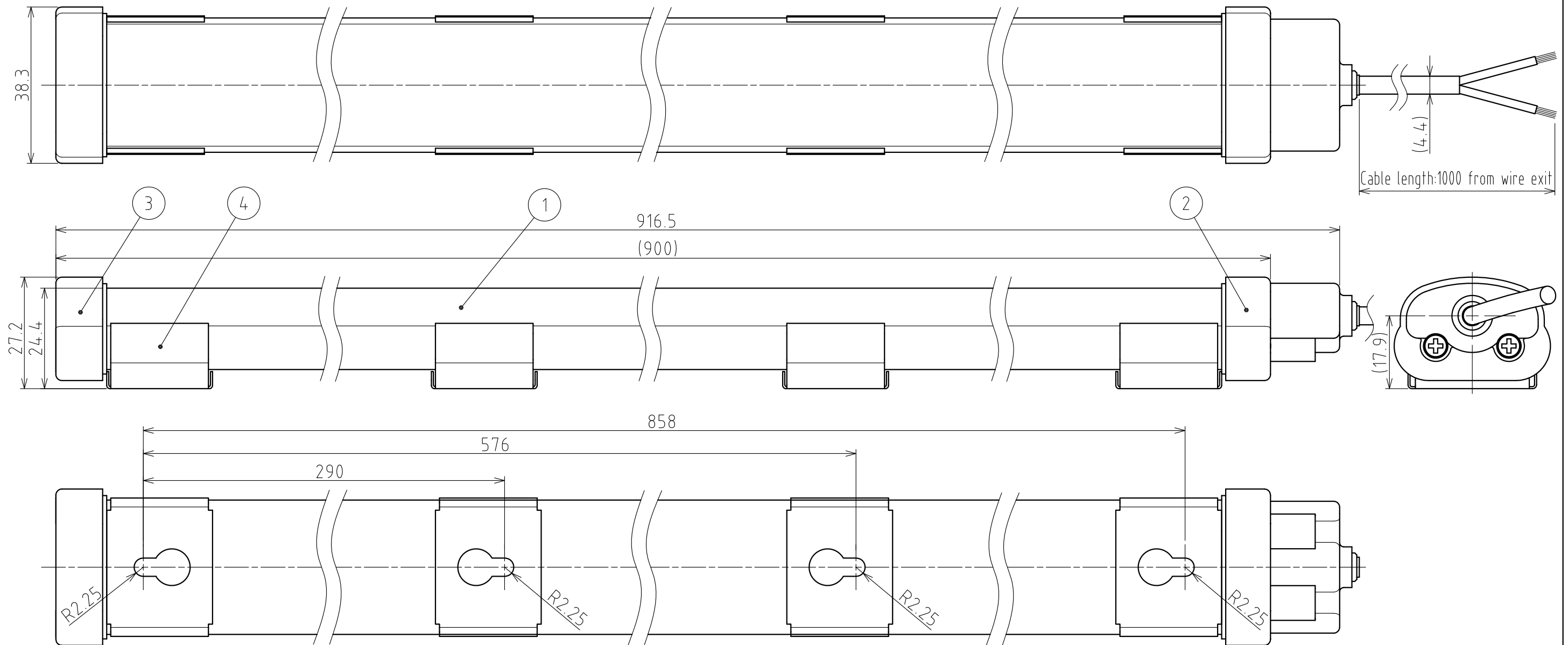
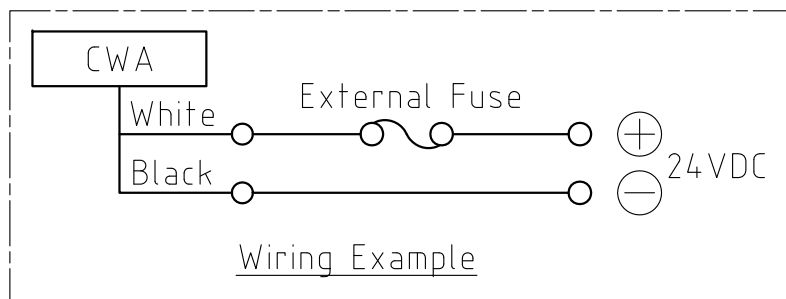
SPECIFICATIONS

[General Specifications]

Model	CWA9S-24-CD	
Color Code	CD	
Luminous Color	Daylight	
Color Temperature (typ.)	6500K	
Illuminance (at 24V DC,1m)	300lx	
Total Luminous Flux (at 24V DC)	1050lm	
Rated Voltage	24V DC (Polarized)	
Operating Voltage Range	Rated Voltage \pm 10%	
Signal Wire Current (Rated Current Consumption)	Typ.	540mA
	Max.	594mA
Operating Ambient Temperature	-30°C to +60°C	
Operating Ambient Humidity	Less than 90% (No condensation)	
Storage Ambient Temperature	-35°C to +65°C	
Storage Ambient Humidity	Less than 90% (No condensation)	
Mounting Direction	All Directions	
Protection Rating	IP65 (IEC 60529) (Cable connection ends not included)	
Vibration Resistance	19.6 m/s ² (30Hz, Back and Forth, Up and Down, Left and Right for 2 hrs. each)	
Mass	530 \pm 25g	
Outer Dimensions	Refer to the Outer Dimension Drawing	
Conformity Standards	EMC Directive (EN 55015, EN 61000-6-2) RoHS Directive (EN 50581) UL Listed (File No.E306141)	
Remarks	· Due to the inherent properties of the LED, color variations and hue may occur.	

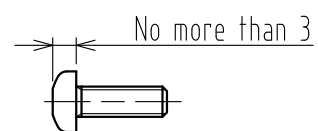
No.CWA9S-24-CD-W18C-1_2

PATLITE Corporation



Installation Example

Install the Bracket on a sturdy surface with M4 screws, and snap the main unit into place.



Screw Dimensions

4	Bracket	-	4	SUS	
3	End Cap B	-	1	PC (White)	
2	End Cap A	-	1	PC (White)	
1	Cover	-	1	PC (Clear)	
番号 No.	部品名 Part Name	品目コード Part No.	数量 Qty.	材料 & 寸法 & 処理 Material & Size & Finish	記事 Remarks

CWA9S-24
Outer Dimension Drawing

株式会社 パトライト
PATLITE Corporation

CWA9S-24-CD-W18C-2_2