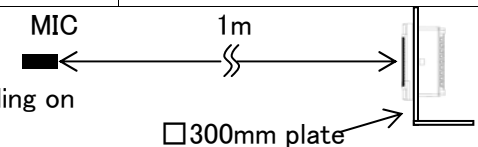
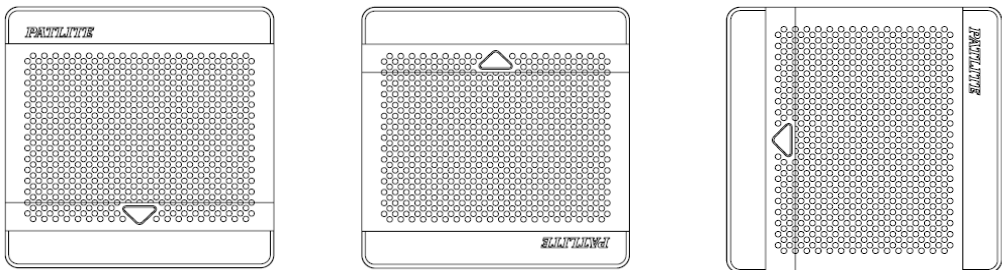


# SPECIFICATIONS

Model	BKV-31JF	BKV-31KF	BKV-31QF
Rated Voltage	12V - 24V DC	100V AC 50/60Hz	220V AC 50/60Hz
Operating Voltage Range	10.8 - 26.4V DC	100V AC ±10%	220V AC ±10%
Power Consumption	Max. 9W	Max. 10W	Max. 10W
Sound Pressure Level	95dB or more Measurement sound: -6dB 1kHz Sine wave * Sound pressure level may be lowered depending on the sound and surrounding environment. <div style="text-align: right; margin-top: 10px;">  <p>MIC ← 1m → [300mm plate]</p> <p>Measurement reference fig.</p> </div>		
Volume Control	Adjustable range : Min~Max Sound reduction input : -15dB(Sound reduction mode only)		
Voice File	MPEG1-Audio Layer III (MP3) Standard bit rate : 64kbit/s , Fs=44.1kHz		
Maximum Playing Time	63sec (At playing of the standard bit rate data)		
Internal Memory Size	504KByte (Total of MP3 data)		
Voice Rewrite Interface	SD card SD card Recommendation: SDV-2GP (Sold separately)		
File Format	FAT16		
Method of Signal Input	Pulse input width 100ms or more		
CH Input	Bit input : Play mode A,C,E,G		
	Binary input : Play mode B,D,F,H		
Number of Playing Messages	Bit input : 5 / Binary input : 31		
Warm-up Time	Signal line start : 300ms or less / Power supply line start : 500ms or less		
CH Priority	STOP > CH5 > CH4 > CH3 > CH2 > CH1 (Bit input mode only)		
Output Lines	Max. 40V DC 500mA (ON during voice playing)		
Operating Ambient Temperature	-10°C ~ 50°C		
Operating Ambient Humidity	Less than 85 %RH (No condensation)		
Mounting Location	Indoor / Outdoor		
Mounting Direction			
	Upright                      Inverted                      Sideways Indoor : Y / Outdoor : Y    Indoor : Y / Outdoor : N    Indoor : Y / Outdoor : N Mounting angle is vertical only. (Only upright when water splashes)		
Protection Rating	IP 54 (Upright direction only)		
Insulation Resistance	More than 1MΩ at 500VDC between the terminals and the chassis		
Withstand Voltage	500V AC (1 minute)	1000V AC (1 minute)	1500V AC (1 minute)
	Applied for 1min between terminals and chassis without breaking insulation		
Vibration Resistance	Upright direction mounting : 45m/s <sup>2</sup>		Upright direction mounting : 19.6m/s <sup>2</sup>
	30Hz Cross direction:2h·Horizontal direction:2h·Vertical direction:2h		
Mass (Tolerance ±10%)	350g	530g	
Conformity Standards	<ul style="list-style-type: none"> <li>•EMC Directive (EN 55011, EN 61000-6-2)</li> <li>•RoHS Directive (EN 50581)</li> </ul>		
Remarks	Conforms to the CE requirements	There are no contents of controlled substances exceeding the threshold for the RoHS Directive.	

No.BKV-.F-PDFB-EN-1\_3

**PATLITE Corporation**

# SPECIFICATIONS

## Play Mode (Setting with operation mode switch)

factory default setting : A (If message registration is up to No.5) / B (If message registration is No.6 and above)

<b>A</b>	
Bit input mode	CH input : CH1 - CH5 Number of playing messages : 5
<b>B</b>	
Binary input mode	CH input : CH1 - CH5 Number of playing messages : 31
<b>C</b>	
Bit input • sound reduction mode	CH input : CH1 - CH4 Number of playing messages : 4 CH5 : Input reduces the volume by 15dB.
<b>D</b>	
Binary input • sound reduction mode	CH input : CH1 - CH4 Number of playing messages : 15 CH5 : Input reduces the volume by 15dB.
<b>E</b>	
Bit input • Latest input priority play mode	CH input : CH1 - CH5 Number of playing messages : 5 When the next message is input while message is being play, the message that is being played is stopped and the latest input message is playing.
<b>F</b>	
Binary input • Latest input priority play mode	CH input : CH1 - CH5 Number of playing messages : 31 When the next message is input while message is being play, the message that is being played is stopped and the latest input message is playing.
<b>G</b>	
Bit input • Hold play mode	CH input : CH1 - CH5 Number of playing messages : 5 Message play is possible only while the input is held. The play stops when the input stops.
<b>H</b>	
Binary input • Hold play mode	CH input : CH1 - CH5 Number of playing messages : 31 Message play is possible only while the input is held. The play stops when the input stops.
<b>I~P</b>	
Test mode	The message No.1 plays.

## BKV - 31 J F - J

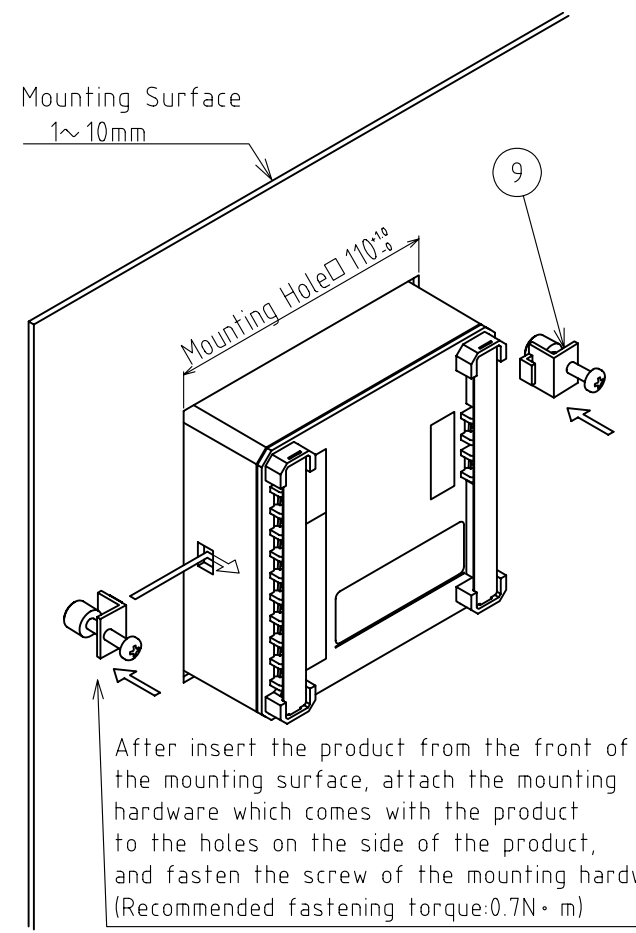
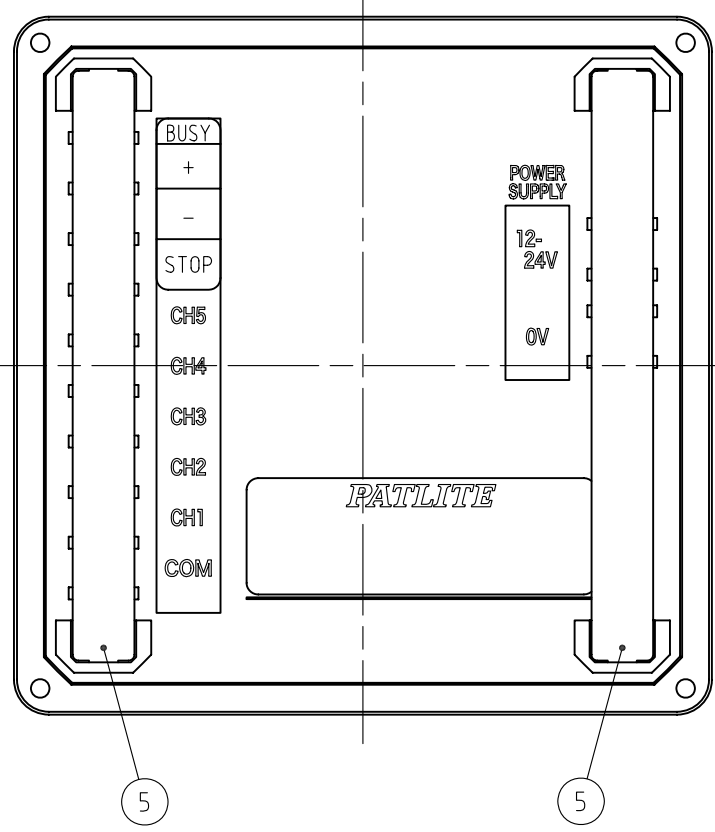
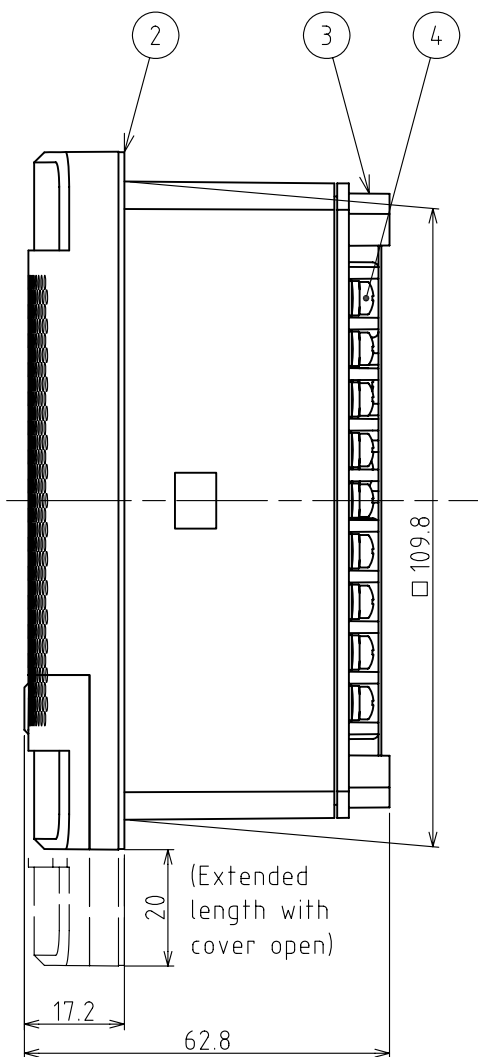
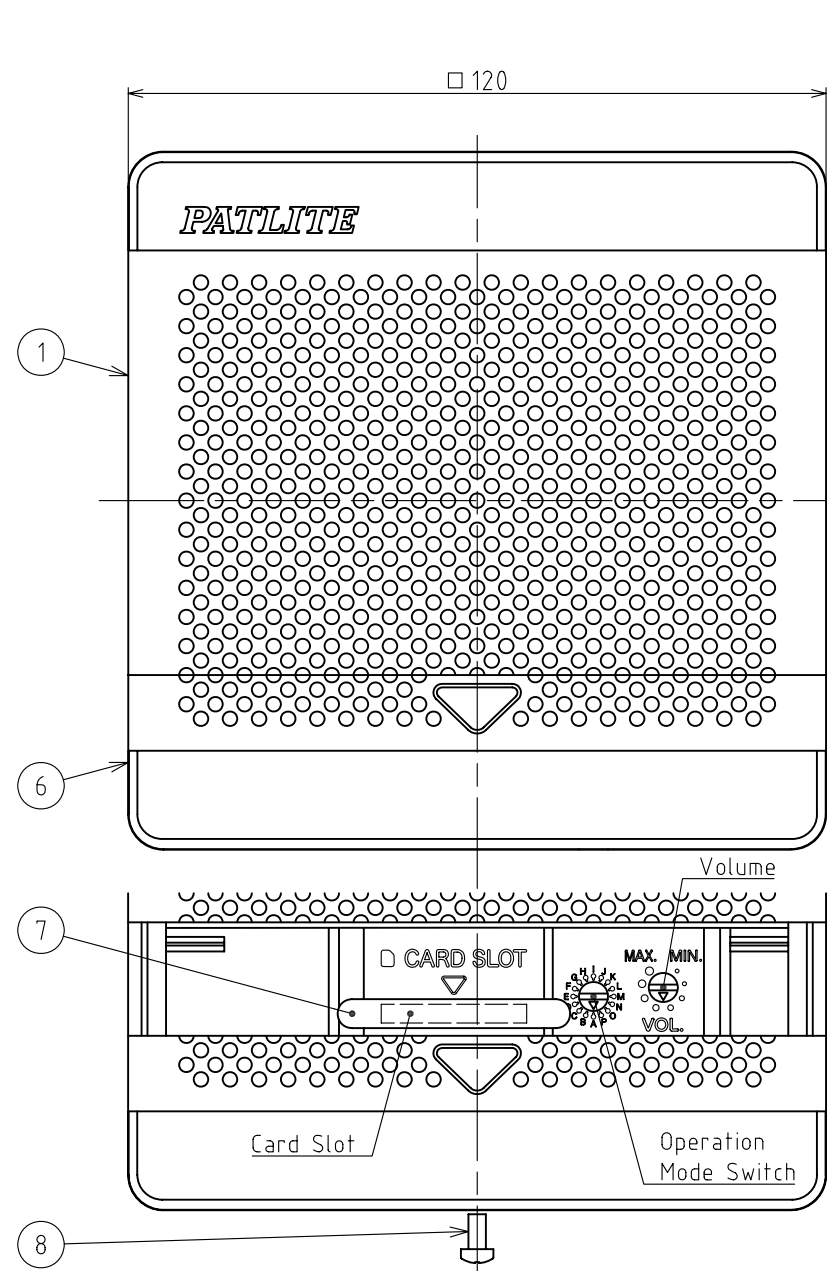
└	└
■ Rated Voltage	■ Color
J: 12-24V DC	J: Light gray
K: 100V AC	K: Dark gray
Q: 220V AC	

~Caution on copyright~

If a work that was recorded or copied from music CDs or other media is used at public places, law enforcement for copyright infringement may be imposed. When using a work that was recorded or copied from music CDs or other media, be sure to obtain permission from the author. In addition, the copyright of audio/music data which are distributed or sold by PATLITE Corporation belongs to PATLITE. It is strictly prohibited to copy/reprint the partial or whole contents of audio/music data of PATLITE Corporation or to transfer/sell them on computer networks etc. without the permission of the right holder.

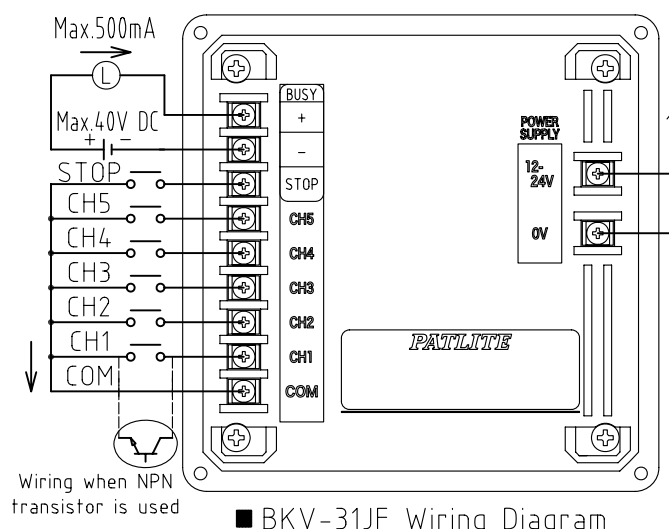
No.BKV-.F-PDFB-EN-2\_3

## PATLITE Corporation



After insert the product from the front of the mounting surface, attach the mounting hardware which comes with the product to the holes on the side of the product, and fasten the screw of the mounting hardware. (Recommended fastening torque:0.7N·m)

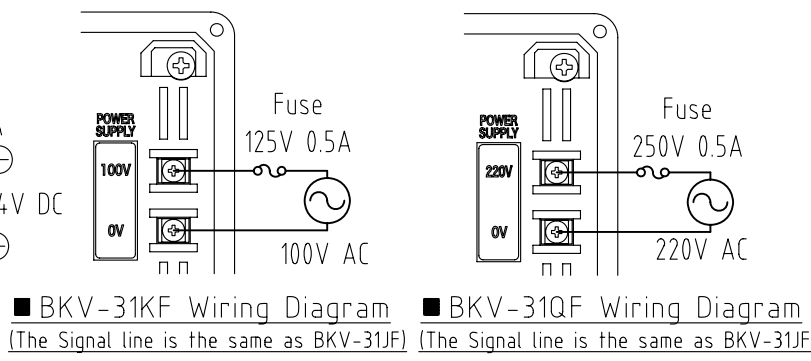
How to Install



■ BKV-31JF Wiring Diagram

Wiring when NPN transistor is used

\* Do not supply a voltage for the signal line.  
Do not supply overvoltage or overload or reverse connection for the busy line.  
Failure to do so may be damaged to the product.



■ BKV-31KF Wiring Diagram (The Signal line is the same as BKV-31JF) ■ BKV-31QF Wiring Diagram (The Signal line is the same as BKV-31JF)

Signal Line Contact Capacity	
Current Capacity	10mA or more
Dielectric Voltage-withstand	20VDC or more
Leak Current	0.1mA or less
ON Voltage(Vsat)	1V or less

9	Mounting Angle		2	Accessory	
8	+screw		1	M3X6	
7	Slot Waterproof Cover		1	EPDM	
6	Front Cover		1	ABS	
5	Terminal Cover		2	PC t=0.5	
4	Terminal Block		11	M3X6	
3	Rear Cover		1	ABS	
2	Waterproof Packing		1	CR t=1.0	
1	Case		1	ABS	
番号 No.	部品名 Part Name	品目コード Part No.	数量 Qty.	材料 & 寸法 & 処理 Material & Size & Finish	記事 Remarks

BKV-31JF/KF/QF  
Outer Dimension Drawing  
株式会社 パトライト  
PATLITE Corporation  
BKV-.F-PDFB-EN-3\_3