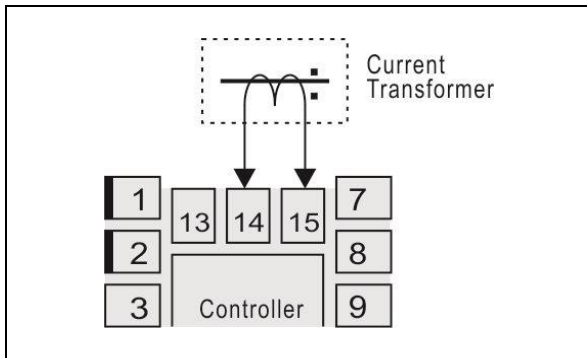


Using the HBD option for the N1200 controller Heater Resistance Fail Detector

The HBD (Heater Break Detector) option provides means of detecting a mal function in the heater resistance, by monitoring the current that flows through it. This option consists of a dedicated PCB connected internally to the N1200 and a current transformer (CT) mounted externally at the load.

Installation

When the HBD model controller is ordered, the HBD accessory is already mounted in the N1200. The user must then connect the CT to terminals 14 and 15 at the instrument back panel (any polarity).



The CT was designed such as to facilitate its insertion in the load circuit. The CT core can be opened to allow the load wire to be installed inside the core, without opening the circuit. The CT wires may be stretched up to 3 meters long and must be kept away from other wires and cables of the installation.

Operation

When the **PWM control output** is used, the controller monitors the load current when this output is turned **ON** and **OFF**, indicating on the **Hb. I** screen the current with higher value (usually, the current that is present when the output is **ON**.)

The minimum current alarm (**HbL**) takes this **ON** current measurement and compares it with the respective setpoint value. If this current is **below** the alarm set point, the alarm is activated, indicating a faulty resistance.

The maximum current (**HbH**) alarm compares **OFF** current measurement with the setpoint for this alarm. If the current is **above** the alarm set point, the alarm is activate to indicate problems in the actuator (short-circuited SSR, bad contactor , etc.).

For any other situation that does not use the PWM control output, the display current value is the instant value measured.

The minimum/maximum current alarm (**HbLH**) executes both operations described above simultaneously.

Controller configuration

The HBD parameters are:

Parameter	Function	Cycle
Hb. I	Current indication as measured by the CT (in amperes)	Operation Cycle
HbF5	Maximum CT Span. For the CT accompanying the controller, this parameter must be defined as 60.0 , an indication that the maximum measured current is 60 A	Scale Cycle

In the alarm Functions parameters, the parameters are:

Parameter	Function	Cycle
FUR1	HbL Minimum current alarm.	Alarm cycle
FUR2	HbH Maximum current alarm.	
FUR3	HbLH Minimum and maximum current alarm.	
FUR4		

When a HBD alarm functions is used, its alarm setpoint is expressed in Amperes..

Parameter	Function	Cycle
SPA1	Electric current values in amperes (A)	Tuning cycle
SPA2		
SPA3		
SPA4		

Notes:

- 1- For a perfect operation of the controller in monitoring the electric current, the PWM Cycle Time (**ct**) must be defined with a value above 2 seconds.
- 2- The current measure accuracy is 3.3% ($\pm 2A$).