

Complete Automation Solution

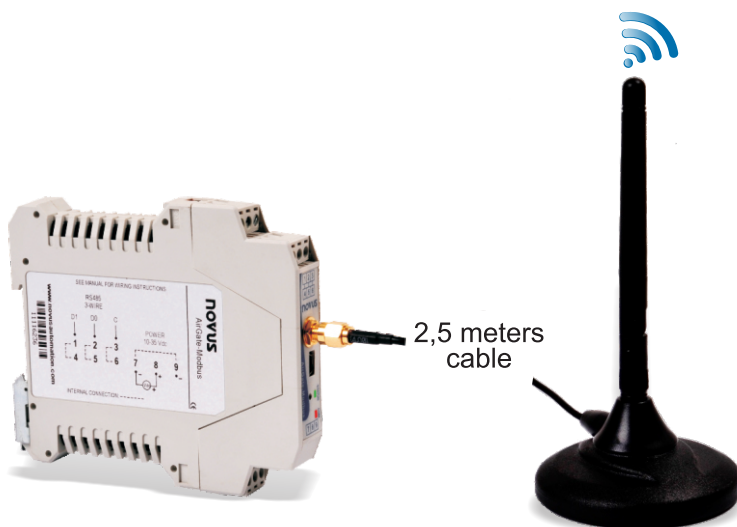
AirGate-Modbus

Gateway - Wireless/Modbus

AirGate-Modbus is a wireless multifunctional gateway that allows the transparent and easy insertion of wireless branches into existing wired RS485 networks. The result of an advanced technological development, the product stands out in several aspects, such as high performance, high connectivity and easy operation and configuration. This advanced technology is the ideal solution for applications where flexibility and interoperability are needed.

Specifications

- Operating Band ISM 2.4 GHz
- Star network topology operation
- Up to 16 operating channels
- Maximum transmission power up to 100 mW
- Outdoor range up to 1000 m in open field
- RF data rate up to 250 Kbps
- AES-CBC-128 Data cryptography (Advanced Encryption Standard)
- Serial port Baud Rate 1200 to 115.2 Kbps
- Power Supply 10 to 35 Vdc
- Power consumption 70 mA (@ 24 Vdc)
- IP20 Enclosure
- Housing: 35 mm DIN Rail, ABS+PC polymer
- Certifications: Anatel (1818-11-7089), CE and FCC



Features

- Allows 4 operating modes: RS485-Master, RS485-Slave, USB-Master and Multi-Master
- RP SMA female connector (Plug)
- Antenna gain 2 dBi
- Two RS485 connector for Modbus RTU interface
- USB Device (Mini-B)
- Status indication LEDs

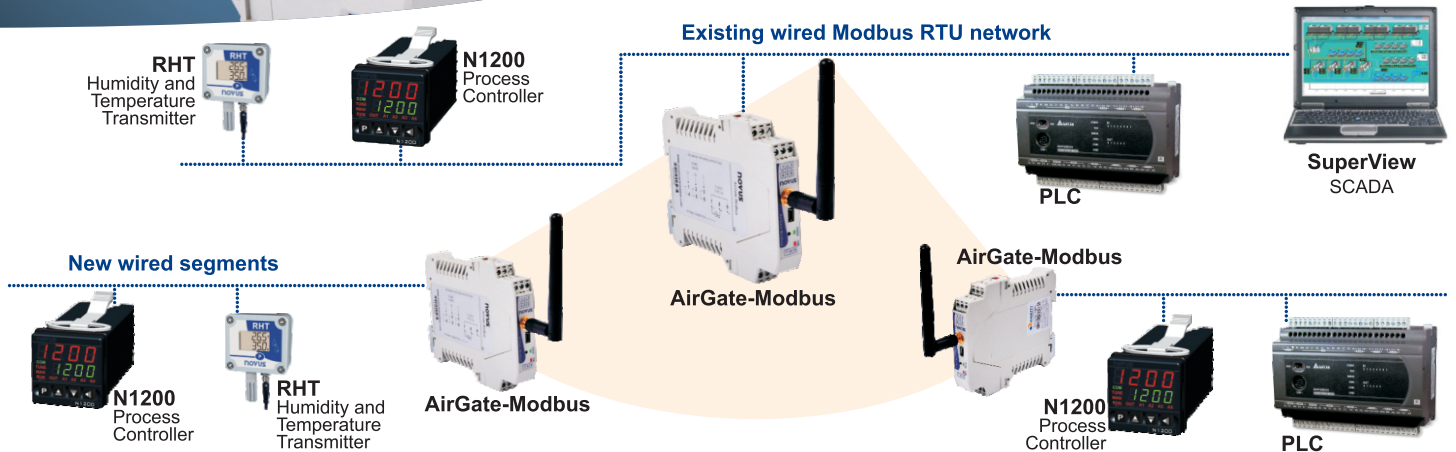
NOVUS

We Measure, We Control, We Record

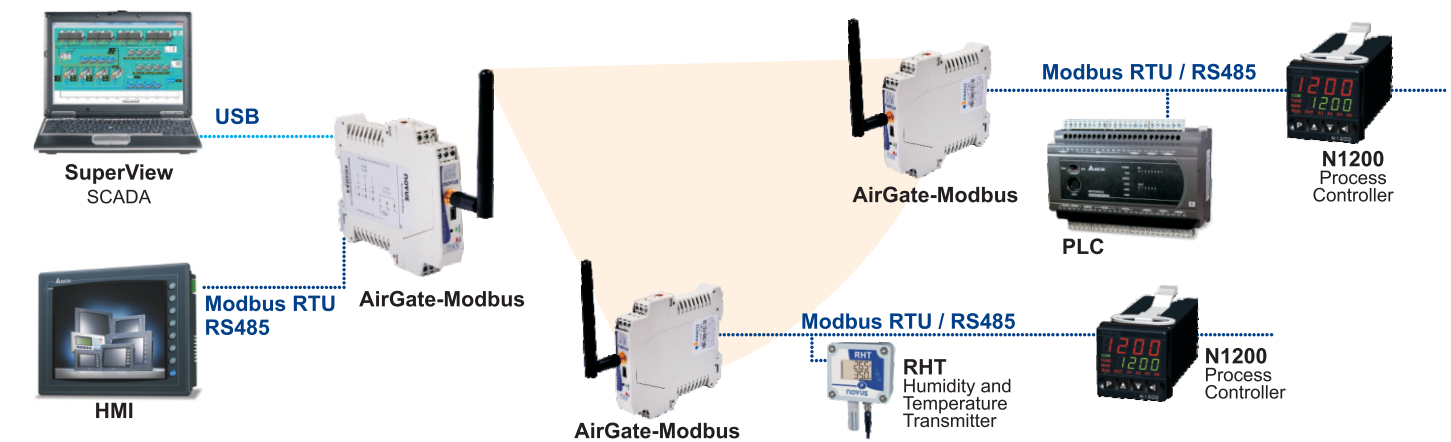
Applications AirGate-Modbus



Inserting **wireless segments** in existing wired Modbus network



Multiplexing two masters sharing slaves connected to the wireless network



Check some other NOVUS products

- Process Controllers
- Electronic Thermostats
- Pressure Transmitters
- Conditioners & Isolators
- Temperature Transmitters
- Humidity Transmitters
- Data Loggers
- DAQ - Data Acquisition
- Softwares & RTUs
- Recording & Supervision
- Timers & Counters
- Calibrators & Handhelds

Headquarters and Factory

Porto Alegre / RS - Brazil - info@novusautomation.com - Tel: +55 51 3323.3600

Branch Offices Brazil

São Paulo / SP - sp@novus.com.br - Tel.: 11 3097.8466
Campinas / SP - campinas@novus.com.br - Tel.: 19 3305.7999
Curitiba / PR - pr@novus.com.br - Tel.: 41 3244.0514

Subsidiaries Abroad

Argentina - B.Aires - argentina@novusautomation.com - Tel.: +54 11 4554.6441
Colombia - Bogotá D.C - colombia@novusautomation.com - Tel.: +57 311 809.5532
USA - Miami / FL - info@novusautomation.com - Tel.: +1 786 235.2674 Direct: 847 812.6450

www.novusautomation.com

NOVUS

We Measure, We Control, We Record