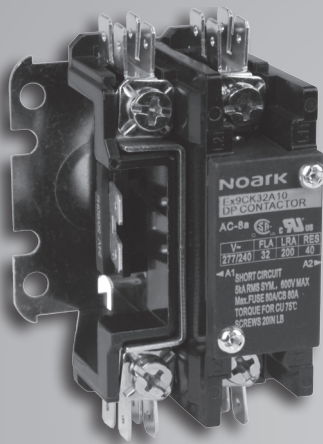


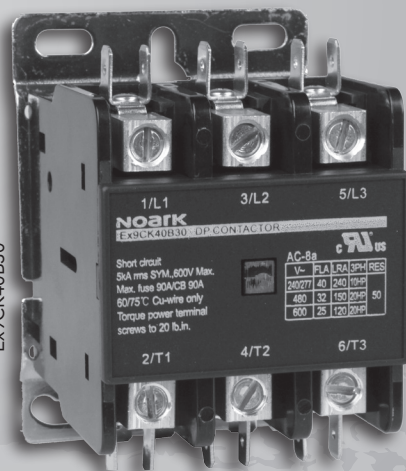
NOARK®

Data Sheet Definite Purpose Contactors Ex9CK Series

Ex9CK32A10



Ex9CK40B30



Definite Purpose Contactors

NOARK Ex9CK Series

Features

Ex9CK Series DP Contactors provide high performance with both flexibility and reliability. They are designed to match numerous applications including:

- HVACR
- Resistive heating
- Refrigeration equipment
- Motors
- Welding
- Pumps
- Power supplies
- Food service equipment
- Compressors
- Business machines

Available as:

- Rated current from 20~90 A
- 1, 2, and 3 pole configurations
- Enclosed coil standard for all 3 pole frame sizes
- Open coil standard for all 1 and 2 pole frame sizes
- Industry standard mounting plate provides easily accessible mounting holes
- Connection terminal options, including screw or lug connections each with quick connect spades
- Coil is Class B 266 °F (130 °C) insulation system with a wide range of voltages and 50/60 Hz ratings
- Double E magnet assembly provides optimal performance with reduced power consumption
- 1NO+1NC auxiliary contact block with 600 Vac rating available as an option
- Base assembly is made from high arc-resistant polyester

Certifications

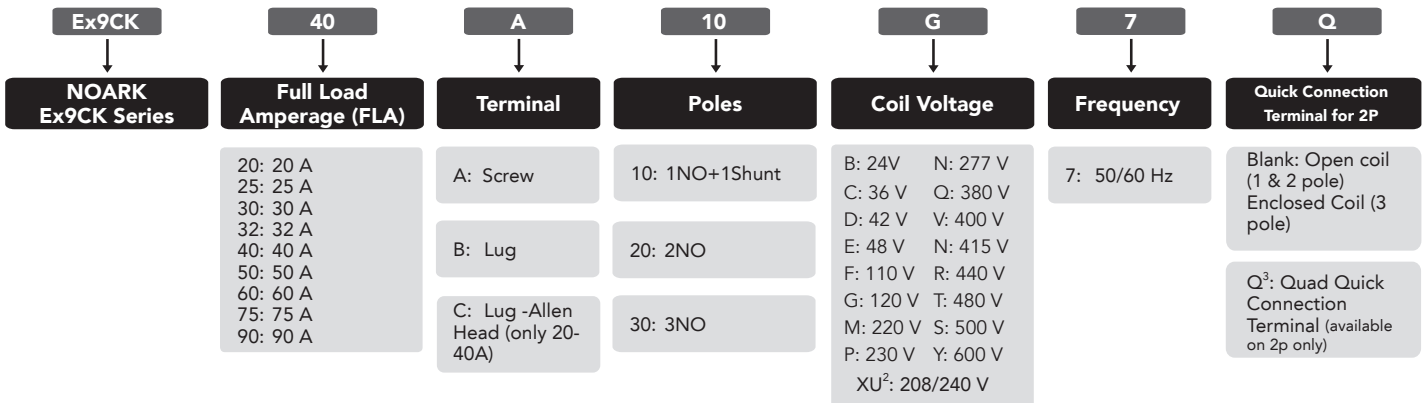


- UL 508 Recognized, File No. E353866
- CSA Certified, C22.2 No. 265900
- IEC/EN 60947 Compliant
- CE Approved
- Compliance to ARI-780 HVAC standards
- RoHS Compliant



Definite Purpose Contactors Ex9CK Product Selection Guide and Packaging

Product Selection Guide



1. Available on 2p only
2. Available on 1p & 2p only
3. For Quad terminals, please contact NOARK sales

Packaging

Full Load Amperage (A)	Poles	MOQ	Quantity (pc/carton)	Carton Weight lbs (kgs) Gross	Piece Weight lbs (kgs)		Carton Dimensions in (mm)	
					Gross	Net		
20	1	64		36.71 (16.65)	0.57 (0.26)	0.51 (0.23)	15.67x9.53x12.64 (398x242x321)	
	2			46.58 (21.13)	0.73 (0.33)	0.64 (0.29)		
	3			56.48 (25.62)	1.04 (0.47)	0.97 (0.44)		
25	1	64		36.71 (16.65)	0.57 (0.26)	0.51 (0.23)	15.67x9.53x12.64 (398x242x321)	
	2			46.58 (21.13)	0.73 (0.33)	0.64 (0.29)		
	3			56.48 (25.62)	1.04 (0.47)	0.97 (0.44)		
30	1	64		36.71 (16.65)	0.57 (0.26)	0.51 (0.23)	15.67x9.53x12.64 (398x242x321)	
	2			46.58 (21.13)	0.73 (0.33)	0.64 (0.29)		
	3			56.48 (25.62)	1.04 (0.47)	0.97 (0.44)		
32	1	64		35.27 (16.00)	0.55 (0.25)	0.51 (0.23)	15.67x9.53x12.64 (398x242x321)	
	2			46.58 (21.13)	0.73 (0.33)	0.64 (0.29)		
	3			56.48 (25.62)	1.04 (0.47)	0.97 (0.44)		
40	1	64		35.27 (16.00)	0.55 (0.25)	0.51 (0.23)	15.67x9.53x12.64 (398x242x321)	
	2			46.58 (21.13)	0.73 (0.33)	0.64 (0.29)		
	3	54		56.48 (25.62)	1.04 (0.47)	0.97 (0.44)	18.66x12.68x10.75 (474x322x273)	
50		27		38.18 (17.29)	1.41 (0.64)	1.28 (0.58)	15.67x9.53x12.64 (398x242x321)	
60		12			43.43 (19.70)	3.62 (1.64)	3.33 (1.51)	14.33x8.82x16.50 (364x224x419)
75								
90								

Definite Purpose Contactors Ex9CK Specifications 20~40 A

20~40 FLA

Description	Poles	Full Load Amperage (A)			Resistive @ 600 Vac (A)	Locked Rotor (A)			Horsepower (hp)		
		240/277 V	480 V	600 V		240/277 V	480 V	600 V	Voltage (V)	1-Phase	3-Phase
Ex9CK20	1+Shunt	20	25	35	150	125	100	120	1	-	
	2							240	2		
	3							120	3		
	2	120						2			
	240/277	5						10			
	480	-						15			
Ex9CK25	1+Shunt	25	35	150	125	100	100	120	1	-	
	2							240	2		
	3							120	3		
	2	120						2			
	240/277	5						10			
	480	-						15			
Ex9CK30	1+Shunt	32	40	200	150	120	120	120	1	-	
	2							240	2		
	3							120	3		
	2	120						2			
	240/277	5						10			
	480	-						15			
Ex9CK32	1+Shunt	40	50	240	200	160	160	120	1	-	
	2							240	2		
	3							120	3		
	2	120						2			
	240/277	5						10			
	480	-						15			
Ex9CK40	1+Shunt	40	50	240	200	160	160	120	2	-	
	2							240	3		
	3							120	2		
	2	120						3			
	240/277	7.5						10			
	480	-						20			
600	-	25									

Definite Purpose Contactors Ex9CK Specifications 20~40 A

20~40 FLA Coil

Poles		20			25			30			32			40		
		1 Pole+ Shunt	2 Poles	3 Poles	1 Pole+ Shunt	2 Poles	3 Poles	1 Pole+ Shunt	2 Poles	3 Poles	1 Pole+ Shunt	2 Poles	3 Poles	1 Pole+ Shunt	2 Poles	3 Poles
Power Consumption*	In-Rush (Vac) @ 50 Hz	55		51	55		51	55		51	55		51	55		51
	Sealed (Vac) @ 50 Hz	13		12	13		12	13		12	13		12	13		12
	In-Rush (Vac) @ 60 Hz	25	40	47	25	40	47	25	40	47	25	40	47	25	40	47
	Sealed (Vac) @ 60 Hz	6.7	8.8	9.3	6.7	8.8	9.3	6.7	8.8	9.3	6.7	8.8	9.3	6.7	8.8	9.3
Operation Range	Pick-Up Voltage	85~110% Us														
	Drop-Out Voltage	20~65% Us														
Power Supply Voltage Us		50/60 Hz; 24~600 Vac														

* Power consumption is the same for 24, 120, 240, 277 and 480 Vac.

20~40 FLA Terminal

Line and Load Terminals		20			25			30			32			40			
		#10-32 Screw Box Lug															
Copper Cable AWG (mm ²)	Ridge Wire with Single Core	14~10 (2.5~6)			12~8 (4~10)			¹⁶⁻⁸ (1.5-10)	2~8 (4~10)		¹⁶⁻⁸ (1.5-10)	2~8 (4~10)		¹⁶⁻⁸ (1.5-10)	2~8 (4~10)		
	Flexible Stranded Wire	14~8 (2.5~10)															
		Screw	14~12 (2.5~6)														
		Lug	14~8 (2.5~10)														
Tightening Torque in-lb (N.m)	Coil	-															
	Main Circuit	Screw			20 (1.8~2)												
	Lug	40 (4~6)															
Quick Connects	Power Terminals	Dual 0.250 QC (2)															
	Coil Terminals	Dual 0.250 QC (2)															
	0.250 Standard	1P Quad	2P Dual or Quad**	3P Dual	1P Quad	2P Dual or Quad**	3P Dual	1P Quad	2P Dual or Quad**	3P Dual	1 Quad	2P Dual or Quad**	3P Dual	1P Quad	2P Dual or Quad**	3P Dual	
Insulation System		Coil is Class B 266° F (130° C)															

** Dual is standard on 2 pole. Contact NOARK sales representative to order Quad.

Definite Purpose Contactors Ex9CK Specifications 50~90 A

50~90 FLA

Description	Poles	Full Load Amperage (A)			Resistive @ 600 Vac (A)	Locked Rotor (A)			Horsepower (hp)		
		240/277 V	480 V	600 V		240/277 V	480 V	600 V	Voltage (V)	1-Phase	3-Phase
Ex9CK50	3	50	65	300	250	200	110/120	3	-		
							200/028	7.5	15		
							240/277	10			
							480	-	25		
							600	-	-		
Ex9CK60		60	75	360	300	240	110/120	5	-		
							200/028	7.5	25		
							240/277	10			
							480	-	30		
							600	-	-		
Ex9CK75		75	90	450	375	300	110/120	5	-		
							200/028	10	20		
							240/277	15	25		
							480	-	50		
							600	-	-		
Ex9CK90	90	120	540	450	360	110/120	7.5	-			
						200/028	15	25			
						240/277	20	30			
						480	-	60			
						600	-	-			

50~90 FLA Coil

		50	60	75	90
Poles		3 Poles			
Power Consumption*	In-Rush (Vac) @ 50 Hz	84		165	
	Sealed (Vac) @ 50 Hz	14		30	
	In-Rush (Vac) @ 60 Hz	83		250	
	Sealed (Vac) @ 60 Hz	9.3		27	
Operation Range	Pick-Up Voltage	85~110% Us			
	Drop-Out Voltage	20~65% Us			
Power Supply Voltage Us		50/60 Hz; 24~600 Vac			

* Power consumption is the same for 24, 120, 240, 277 and 480 Vac.

Definite Purpose Contactors Ex9CK Specifications 50~90 A and SCCR Ratings

50~90 FLA Terminal

			50	60	75	90
Line and Load Terminals			#10-32 Screw Box Lug			
Copper Cable AWG (mm ²)	Ridge Wire with Single Core	Screw Lug	10~6 (6~16)	14~6 (2.5~16)	6~3 (16~35)	4~3 (25~35)
	Flexible Stranded Wire	Screw Lug	10~8 (4~10)		8~4 (10~25)	8~4 (16~25)
Tightening Torque in-lb (N.m)	Coil		10 (0.8~1.2)			
	Main Circuit	Screw Lug	50 (4~7)			
Quick Connects	Power Terminals		Dual 0.250 QC (2)	Dual 0.250 QC (2)	Dual 0.250 QC (2)	
	Coil Terminals		6~32 Screw and 0.250 QC (2)			
	0.250 Standard		Dual			
Covers	Standard					
Insulation System	Class B 266 °F (130 °C)					

SCCR Ratings

SCCR: 100kA@480Vac with MCCB; @600Vac max. with Fuse

	Ex9CK 20 & 25A (1-3P)	Ex9CK 30 & 32A (1-3P)	Ex9CK 40A (1-3P)	Ex9CK 50A	Ex9CK 60A	Ex9CK 75A	Ex9CK 90A
CB rated current A	M1N 50A	M1N 50A	M1N 70A	M1N 100A	M1N 100A	M2N 125A	M2N 125A
Fuse rated current A	80	80	100	200	200	200	200

1. CB: must be NOARK UL MCCB M1N or M2N

2. Fuse type: Class J or Class L (Class L fuse required for applications with 100A or greater)

Lighting Data

25-50A; 1/2/3P

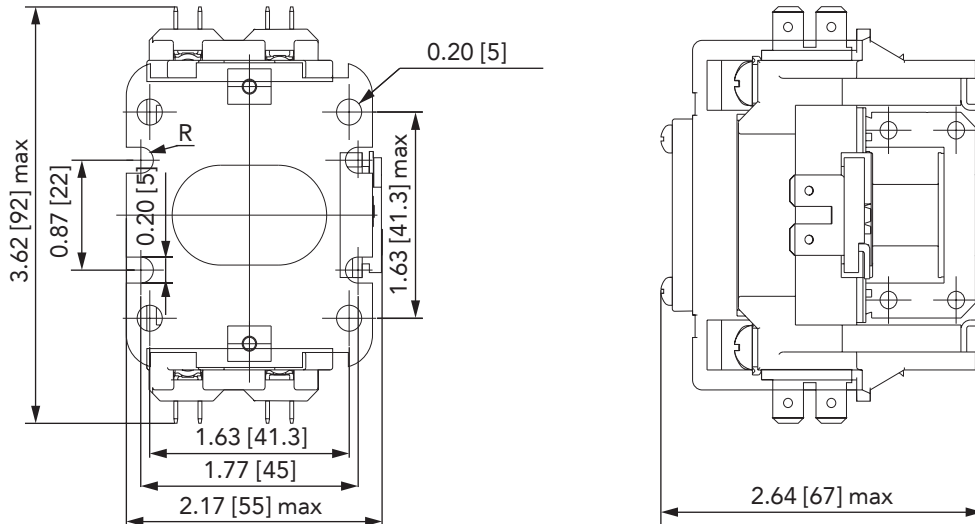
Inductive Rating (DP Contactor FLA)	Tungsten & Ballast Rating
25A	30A
30A	40A
40A	50A
50A	60A

Definite Purpose Contactors Ex9CK Dimensions 20~40

Ex9CK20~40

1 Pole+Shunt

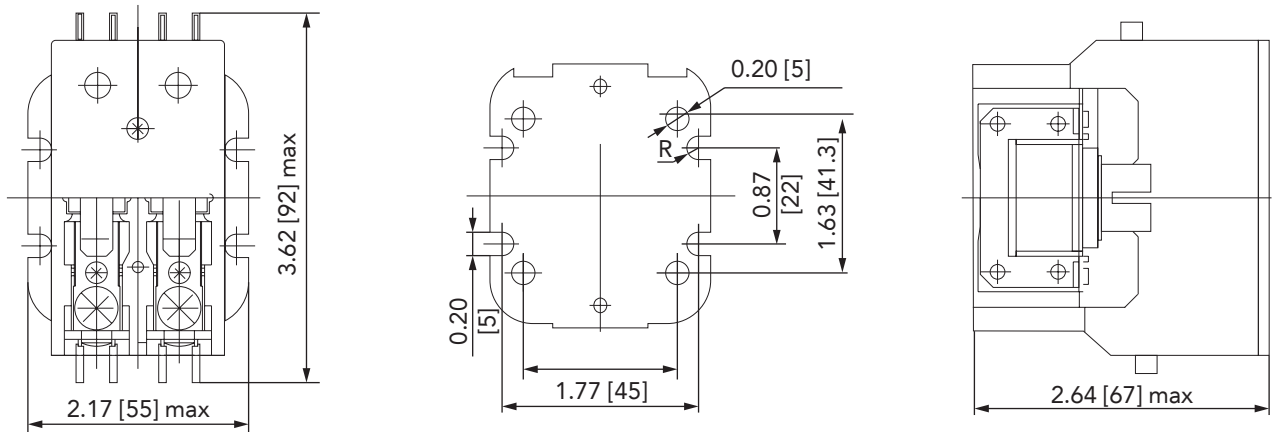
Unit: in. [mm]



Ex9CK20~40

2 Poles

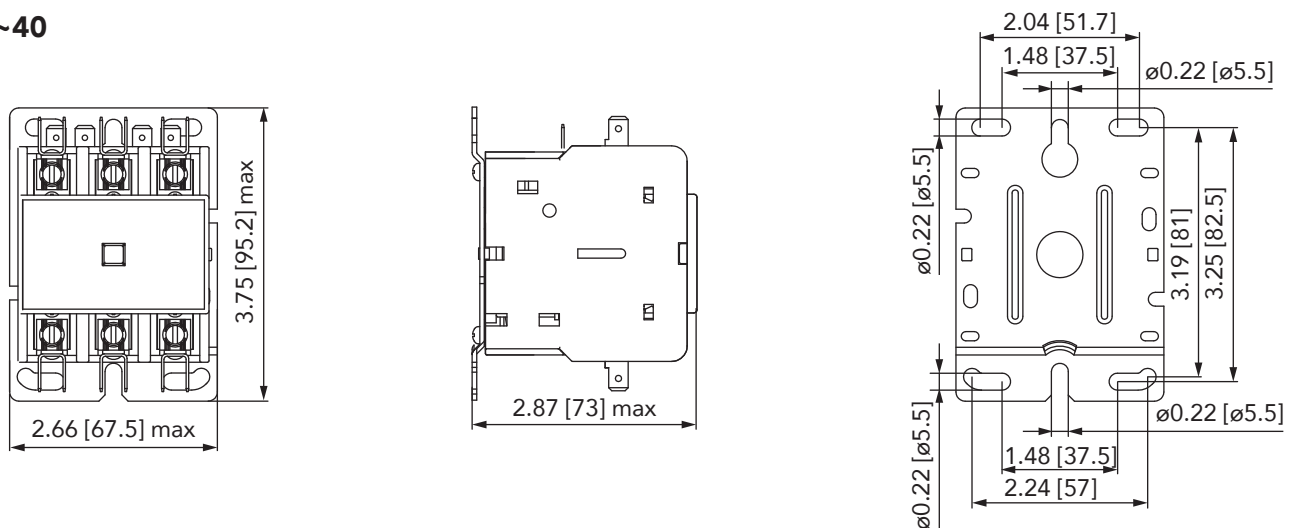
Unit: in. [mm]



Ex9CK20~40

3 Poles

Unit: in. [mm]



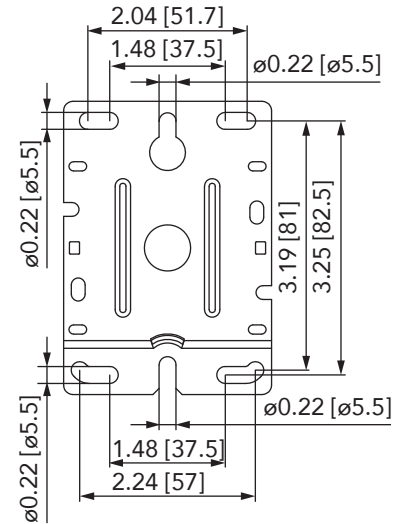
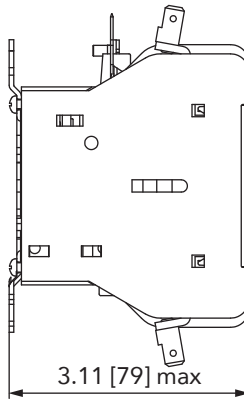
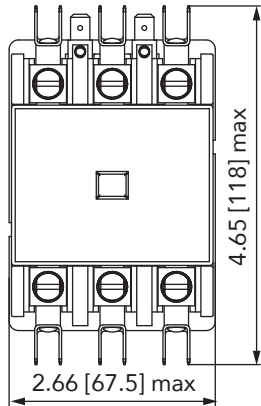
Definite Purpose Contactors

Ex9CK Dimensions 50 ~ 90

Ex9CK50~60

3 Poles

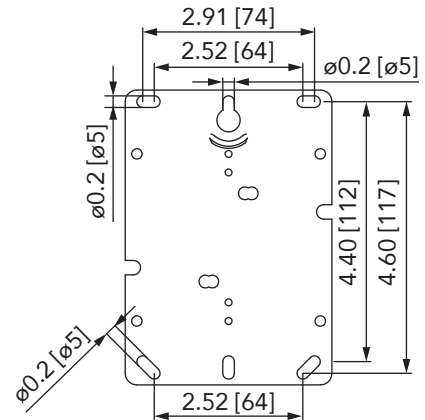
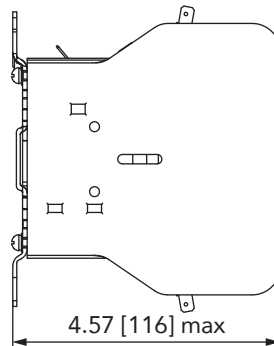
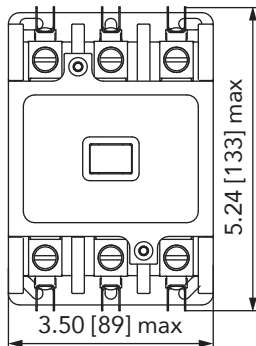
Unit: in. [mm]



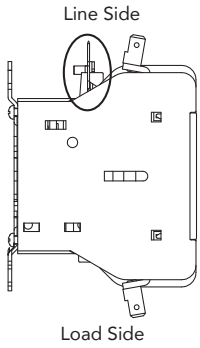
Ex9CK75~90

3 Poles

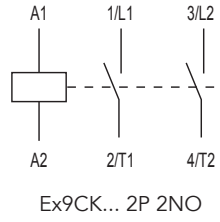
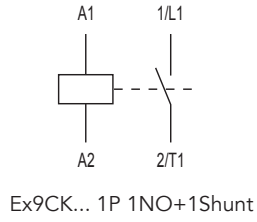
Unit: in. [mm]



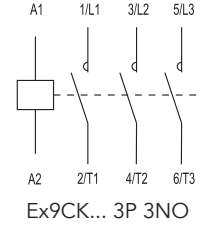
Definite Purpose Contactors Ex9CK: Wiring Diagram



Ex9CK20~40



Ex9CK20~90



Definite Purpose Contactors

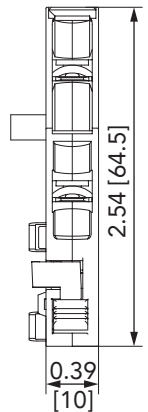
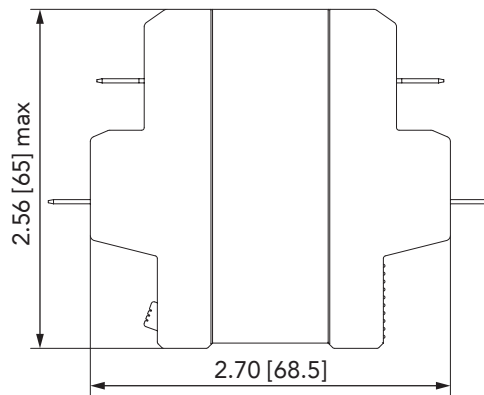
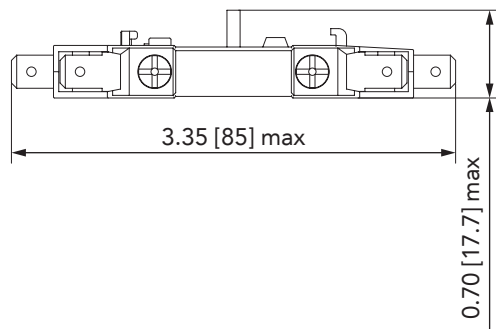
Ex9CK Accessories: Specifications and Packaging

Selection Guide

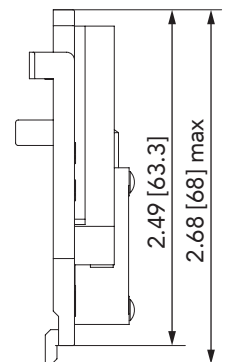
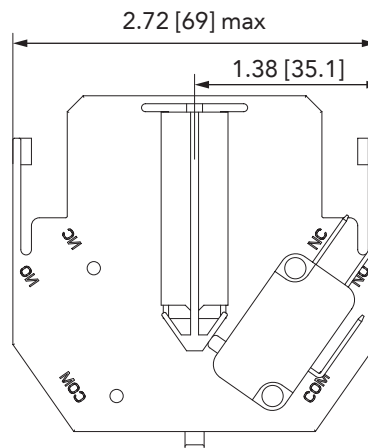
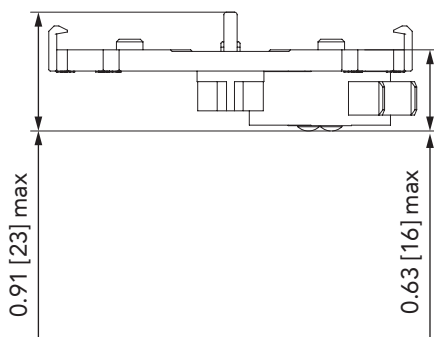
AXF	C	11	Q
Description	Coil	Pole	Connection
Auxiliary Contact (Side Mount)	C: Enclosed Coil Contact for 20~90 A (3 pole only)	11: 1NO+1NC 22: 2NO+2NC	Q: Quick Connect Blank: Screw Connect
	D: Microswitch for 20~40 A (3 pole only)		

Dimensions

AXFC11/AXFC11Q
20~90 A (3 pole only)
Unit: in. [mm]



AXFD11/AXFD22
20~40 A (3 pole only)
Unit: in. [mm]



Definite Purpose Contactors

Ex9CK Accessories: Specifications and Packaging

Auxiliary Contact		AXFC11/AXFC11Q	AXFD11	AXFD22
Compatible With		Ex9CK20~90 3 Pole	Ex9CK20~40 3 Pole	
Microswitch		-	SPDT One Switch Per Side	SPDT Two Switches Per Side
Mounting		Side Mounted (Maximum of two)	One Auxillary Only	
		1NO+1NC	1NO+1NC	2NO+2NC
Wiring		0.250 Quick Connection Terminals		
		#6~32 Screw Terminal	-	
Ratings				
Drop-Out (A)	120 Vac	3		
	240 Vac	1.50		
	480 Vac	0.75		
	600 Vac	0.60		
Pick-Up (A)	120 Vac	30		
	240 Vac	15		
	480 Vac	7.5		
	600 Vac	6		
Continuous (A)	120 Vac	10		
	240 Vac			
	480 Vac			
	600 Vac			
Current Ratings				
125 or 250 Vac		15A		
120 Vac on Lamp Load		4 A		
125 Vdc		1/2 A		
250 Vdc		1/4 A		

Packaging

Accessory	Quantity (pc/carton)	Carton Weight lbs (kgs)		Piece Weight lbs (kgs)		Carton Dimensions in (mm)
		Gross		Gross	Net	
AXFC11	150	14.86 (6.74)		0.09 (0.04)	0.075 (0.034)	18.66x9.67x10.75 (474x246x273)
AXFC11Q	192	22.51 (10.21)		0.11 (0.05)	0.079 (0.036)	15.67x9.84x13.19 (398x250x335)
AXFD11	150	10.23 (4.64)		0.07 (0.03)	0.04 (0.02)	18.66x9.67x10.75 (474x246x273)
AXF22		13.54 (6.14)		0.09 (0.04)	0.07 (0.03)	18.66x9.67x10.75 (474x246x273)

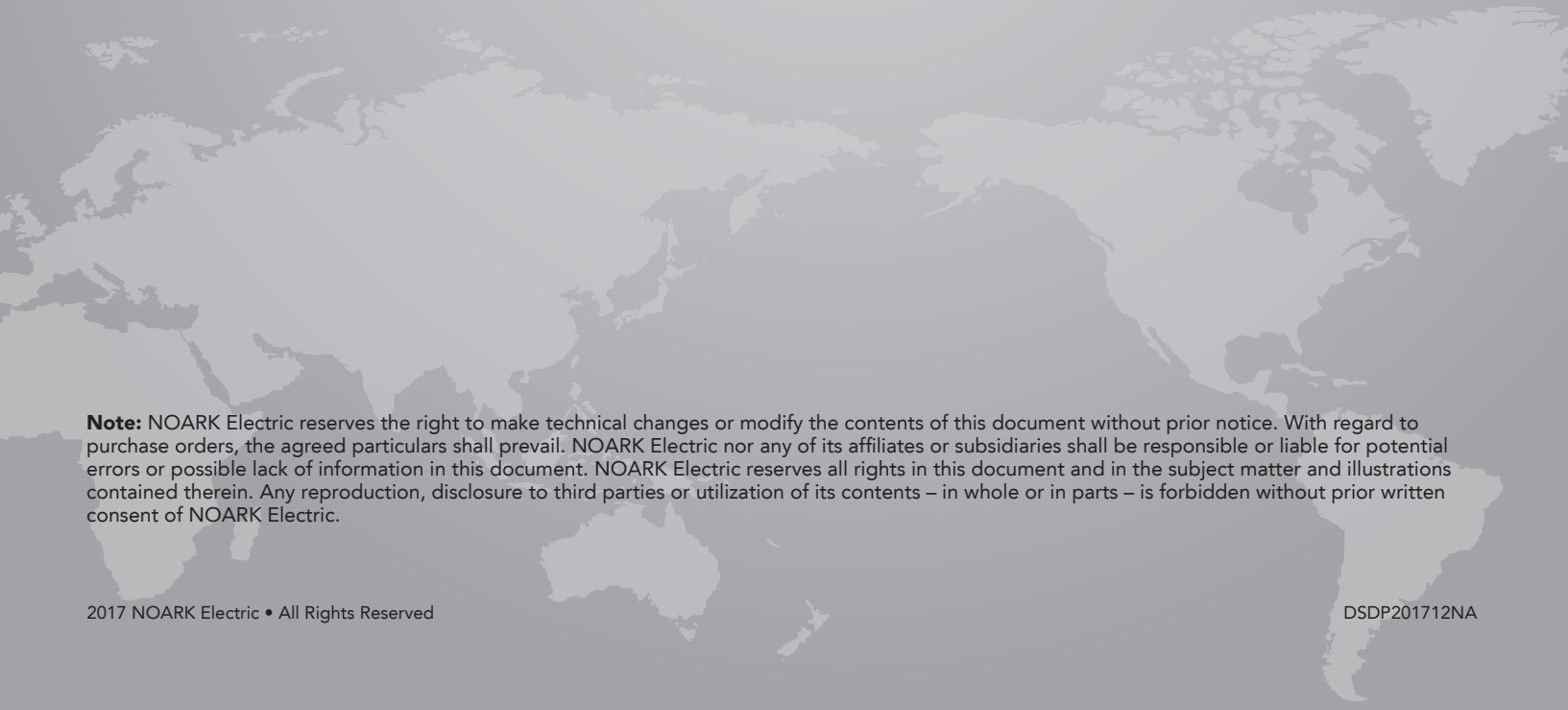
NOARK®

NOARK Electric North America

2188 Pomona Blvd, Pomona Ca 91768

(626) 330-7007

na.noark-electric.com • nasales@noark-electric.com



Note: NOARK Electric reserves the right to make technical changes or modify the contents of this document without prior notice. With regard to purchase orders, the agreed particulars shall prevail. NOARK Electric nor any of its affiliates or subsidiaries shall be responsible or liable for potential errors or possible lack of information in this document. NOARK Electric reserves all rights in this document and in the subject matter and illustrations contained therein. Any reproduction, disclosure to third parties or utilization of its contents – in whole or in parts – is forbidden without prior written consent of NOARK Electric.