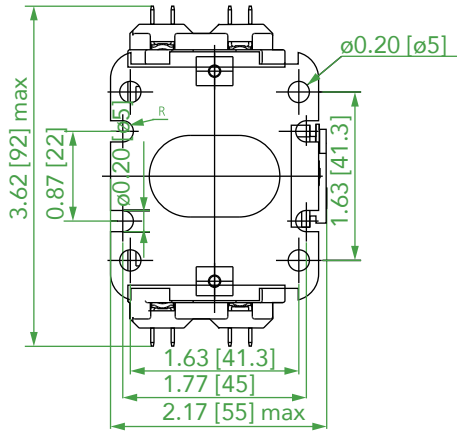


## Ex9CK20~40

1 Pole+Shunt

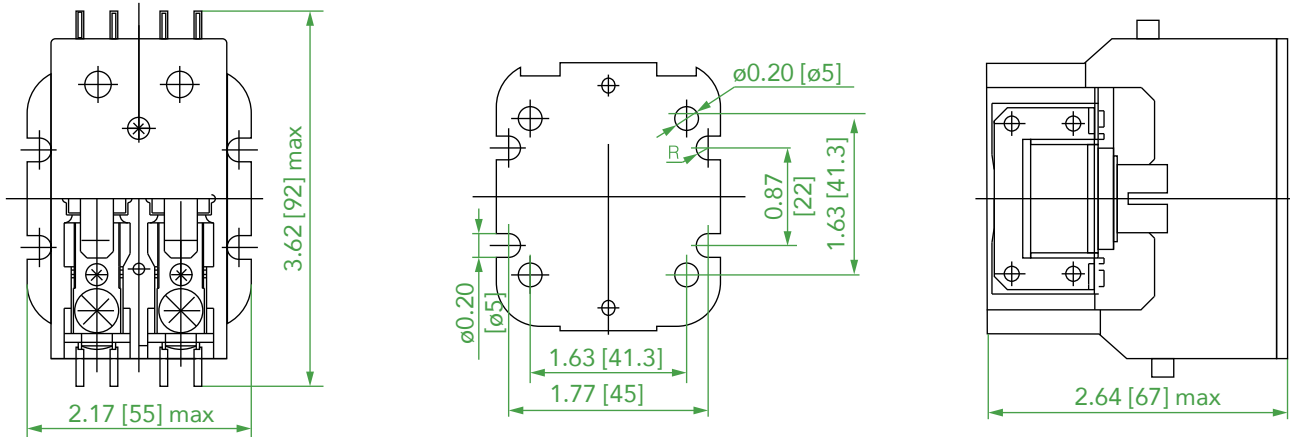
Unit: in [mm]



## Ex9CK20~40

2 Poles

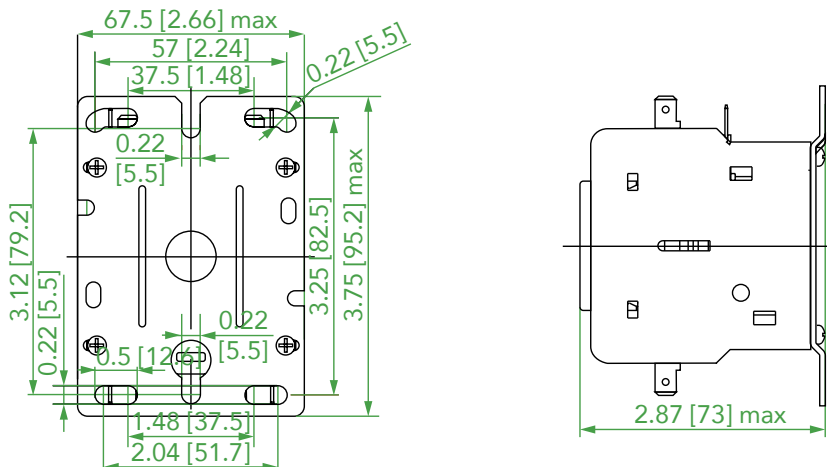
Unit: in [mm]



## Ex9CK20~40

3 Poles

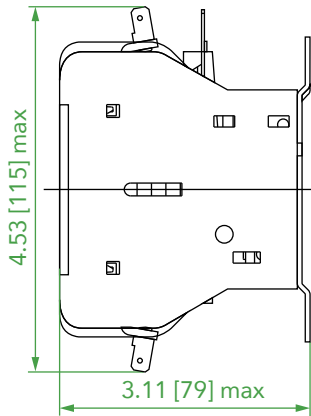
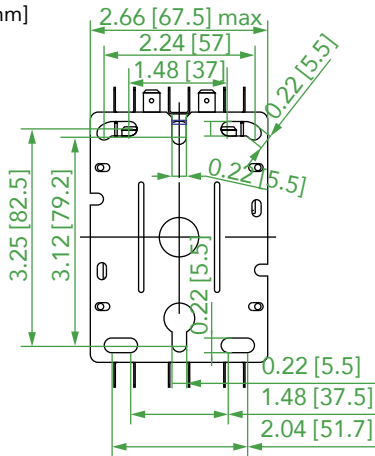
Unit: in [mm]



# Ex9CK50~60

3 Poles

Unit: in [mm]



# Ex9CK75~90

3 Poles

Unit: in [mm]

