

IEC CONTACTORS



Ex9C

IEC Contactors

Ex9C Product Overview

Features

Ex9C contactors are intended for various applications including heavy industrial loads. Nine frame sizes allows optimization of electrical parameters and mechanical dimensions. A range of overload relays are available in a variety of frame sizes to fit respective contactors of given rated current.

- Nine frame sizes with rated current up to 1000 A at 690 V AC-3
- Coil control voltage available in AC and DC with ranges from 24-600V
- Wide range electronic coil available for 09~500 A contactors features built-in surge suppression
- DIN rail 35 mm and panel mountable

Certifications

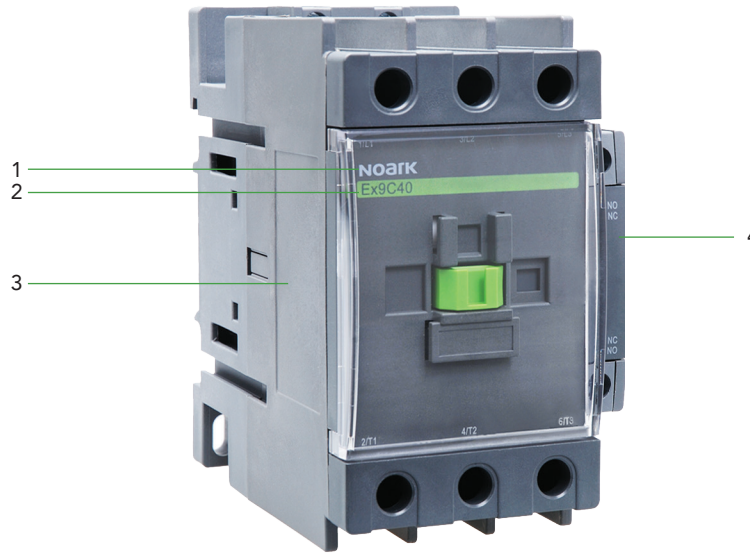
- UL 508 Listed, File Number E353866, UL 60947-1 and 60947-4-1
- Certified for Canada CSA standards 22.2 No. 14 under cUL testing
- IEC/EN 60947-4-1
- CE Approved
- CCC Certified



IEC Contactors

Ex9C Product Selection Guide

Label



1. Brand
2. Product Selection
3. Label with UL logo, CE logo and data
4. Built-In Auxiliary Contact

Product Selection Guide

Ex9C	S	R	09	D	10	A	7	B	G
NOARK Ex9C Series	Contactors Type	Function	Rated Current (AC-3)	Coil Type	Auxiliary Contacts	Control Voltage	Frequency	Main Power Contacts	Application
	Blank: Ex9C Standard (9~1000 A) S: Ex9C Miniature (6~12 A)	Blank: Full Voltage Non-Reversing (FVNR) R: Full Voltage Reversing (FVR)	06: 6 A 09: 9 A 12: 12 A 18: 18 A 25: 25 A 32: 32 A 38: 38 A 40: 40 A 50: 50 A 65: 65 A 80: 80 A 100: 100 A 115: 115 A 150: 150 A 185: 185 A 225: 225 A 265: 265 A 300: 300 A 400: 400 A 500: 500 A 630: 630 A 800: 800 A 1000: 1000 A	Blank: AC D: DC* *:available on Miniature Contactor only E: Vac/dc (115~1000A) F: Wide Range Electronic Coil	10: 1NO (9CS Only) 01: 1NC (9CS Only) 11: 1NO+1NC (9~100A Only) 22: 2NO+2NC (09~38/115~1000A) Blank: no Aux (9CS only)	A: 12V B: 24V* C: 36V D: 42V E: 48V F: 110V G: 120V X: 208V M: 220V P: 230V U: 240V V: 250V N: 277V Q: 380V V: 400V Z: 415V R: 440V T: 480V S: 500V Y: 600V J: 24-60Vac/dc H: 48-130Vac/dc K: 100-250Vac/dc L: 250-500Vac/dc	7: 50/60 Hz	Blank: 3NO B: 2NO+2NC (9CS Only) C: 4NO (9CS Only)	G: No top mounting accessories for special industry (115-1000A)

* Note: 24Vac is not available at 400A and 1000A
**630-1000A:48-415 Vac/dc available only

IEC Contactors

Ex9CS 6 A Miniature

- Built-in auxiliary contacts; additional auxiliary contacts are front mounted
- Non-Reversing



Certifications

IEC/EN 60947-1, 60947-4-1
UL 60947-1, 60947-4-1



Coil Voltage	6 A • 3 Poles				6 A • 4 Poles				
	3NO • 1NO Auxiliary Contact		3NO • 1NC Auxiliary Contact		4NO		2NO+2NC		
	Product	Part Number	Product	Part Number	Product	Part Number	Product	Part Number	
Vac • 50/60 Hz	24	Ex9CS0610B7	1320001	Ex9CS0601B7	1320055	Ex9CS06B7C	1320109	Ex9CS06B7B	1320415
	36	Ex9CS0610C7	1320002	Ex9CS0601C7	1320056	Ex9CS06C7C	1320110	Ex9CS06C7B	1320416
	42	Ex9CS0610D7	1320003	Ex9CS0601D7	1320057	Ex9CS06D7C	1320111	Ex9CS06D7B	1320417
	48	Ex9CS0610E7	1320004	Ex9CS0601E7	1320058	Ex9CS06E7C	1320112	Ex9CS06E7B	1320418
	110	Ex9CS0610F7	1320005	Ex9CS0601F7	1320059	Ex9CS06F7C	1320113	Ex9CS06F7B	1320419
	120	Ex9CS0610G7	1320006	Ex9CS0601G7	1320060	Ex9CS06G7C	1320114	Ex9CS06G7B	1320420
	208	Ex9CS0610X7	1320018	Ex9CS0601X7	1320072	Ex9CS06X7C	1320126	Ex9CS06X7B	1320432
	220	Ex9CS0610M7	1320007	Ex9CS0601M7	1320061	Ex9CS06M7C	1320115	Ex9CS06M7B	1320421
	230	Ex9CS0610P7	1320008	Ex9CS0601P7	1320062	Ex9CS06P7C	1320116	Ex9CS06P7B	1320422
	240	Ex9CS0610U7	1320010	Ex9CS0601U7	1320064	Ex9CS06U7C	1320118	Ex9CS06U7B	1320424
	277	Ex9CS0610N7	1320009	Ex9CS0601N7	1320063	Ex9CS06N7C	1320117	Ex9CS06N7B	1320423
	380	Ex9CS0610Q7	1320011	Ex9CS0601Q7	1320065	Ex9CS06Q7C	1320119	Ex9CS06Q7B	1320425
	400	Ex9CS0610V7	1320012	Ex9CS0601V7	1320066	Ex9CS06V7C	1320120	Ex9CS06V7B	1320426
	415	Ex9CS0610Z7	1320013	Ex9CS0601Z7	1320067	Ex9CS06Z7C	1320121	Ex9CS06Z7B	1320427
440	Ex9CS0610R7	1320014	Ex9CS0601R7	1320068	Ex9CS06R7C	1320122	Ex9CS06R7B	1320428	
480	Ex9CS0610T7	1320015	Ex9CS0601T7	1320069	Ex9CS06T7C	1320123	Ex9CS06T7B	1320429	
500	Ex9CS0610S7	1320016	Ex9CS0601S7	1320070	Ex9CS06S7C	1320124	Ex9CS06S7B	1320430	
Vdc	12	Ex9CS06D10A	1320325	Ex9CS06D01A	1320340	Ex9CS06DAC	1320355	Ex9CS06DAB	1320523
	24	Ex9CS06D10B	1320326	Ex9CS06D01B	1320341	Ex9CS06DBC	1320356	Ex9CS06DBB	1320524
	48	Ex9CS06D10E	1320327	Ex9CS06D01E	1320342	Ex9CS06DEC	1320357	Ex9CS06DEB	1320525
	110	Ex9CS06D10F	1320328	Ex9CS06D01F	1320343	Ex9CS06DFC	1320358	Ex9CS06DFB	1320526
	220	Ex9CS06D10M	1320329	Ex9CS06D01M	1320344	Ex9CS06DMC	1320359	Ex9CS06DMB	1320527
	250	Ex9CS06D10W	1320553	Ex9CS06D01W	1320556	Ex9CS06DWC	1320559	Ex9CS06DWB	1320571

IEC Contactors

Ex9CS 9 A Miniature

- Built-in auxiliary contacts; additional auxiliary contacts are front mounted
- Non-Reversing



Certifications

IEC/EN 60947-1, 60947-4-1
UL 60947-1, 60947-4-1



A

Coil Voltage	9 A • 3 Poles				9 A • 4 Poles				
	3NO • 1NO Auxiliary Contact		3NO • 1NC Auxiliary Contact		4NO		2NO+2NC		
	Product	Part Number	Product	Part Number	Product	Part Number	Product	Part Number	
Vac • 50/60 Hz	24	Ex9CS0910B7	1320019	Ex9CS0901B7	1320073	Ex9CS09B7C	1320127	Ex9CS09B7B	1320433
	36	Ex9CS0910C7	1320020	Ex9CS0901C7	1320074	Ex9CS09C7C	1320128	Ex9CS09C7B	1320434
	42	Ex9CS0910D7	1320021	Ex9CS0901D7	1320075	Ex9CS09D7C	1320129	Ex9CS09D7B	1320435
	48	Ex9CS0910E7	1320022	Ex9CS0901E7	1320076	Ex9CS09E7C	1320130	Ex9CS09E7B	1320436
	110	Ex9CS0910F7	1320023	Ex9CS0901F7	1320077	Ex9CS09F7C	1320131	Ex9CS09F7B	1320437
	120	Ex9CS0910G7	1320024	Ex9CS0901G7	1320078	Ex9CS09G7C	1320132	Ex9CS09G7B	1320438
	208	Ex9CS0910X7	1320036	Ex9CS0901X7	1320090	Ex9CS09X7C	1320144	Ex9CS09X7B	1320450
	220	Ex9CS0910M7	1320025	Ex9CS0901M7	1320079	Ex9CS09M7C	1320133	Ex9CS09M7B	1320439
	230	Ex9CS0910P7	1320026	Ex9CS0901P7	1320080	Ex9CS09P7C	1320134	Ex9CS09P7B	1320440
	240	Ex9CS0910U7	1320028	Ex9CS0901U7	1320082	Ex9CS09U7C	1320136	Ex9CS09U7B	1320442
	277	Ex9CS0910N7	1320027	Ex9CS0901N7	1320081	Ex9CS09N7C	1320135	Ex9CS09N7B	1320441
	380	Ex9CS0910Q7	1320029	Ex9CS0901Q7	1320083	Ex9CS09Q7C	1320137	Ex9CS09Q7B	1320443
	400	Ex9CS0910V7	1320030	Ex9CS0901V7	1320084	Ex9CS09V7C	1320138	Ex9CS09V7B	1320444
	415	Ex9CS0910Z7	1320031	Ex9CS0901Z7	1320085	Ex9CS09Z7C	1320139	Ex9CS09Z7B	1320445
	440	Ex9CS0910R7	1320032	Ex9CS0901R7	1320086	Ex9CS09R7C	1320140	Ex9CS09R7B	1320446
480	Ex9CS0910T7	1320033	Ex9CS0901T7	1320087	Ex9CS09T7C	1320141	Ex9CS09T7B	1320447	
500	Ex9CS0910S7	1320034	Ex9CS0901S7	1320088	Ex9CS09S7C	1320142	Ex9CS09S7B	1320448	
Vdc	12	Ex9CS09D10A	1320330	Ex9CS09D01A	1320345	Ex9CS09DAC	1320360	Ex9CS09DAB	1320528
	24	Ex9CS09D10B	1320331	Ex9CS09D01B	1320346	Ex9CS09DBC	1320361	Ex9CS09DBB	1320529
	48	Ex9CS09D10E	1320332	Ex9CS09D01E	1320347	Ex9CS09DEC	1320362	Ex9CS09DEB	1320530
	110	Ex9CS09D10F	1320333	Ex9CS09D01F	1320348	Ex9CS09DFC	1320363	Ex9CS09DFB	1320531
	220	Ex9CS09D10M	1320334	Ex9CS09D01M	1320349	Ex9CS09DMC	1320364	Ex9CS09DMB	1320532
	250	Ex9CS09D10W	1320554	Ex9CS09D01W	1320557	Ex9CS09DWC	1320560	Ex9CS09DWB	1320572

IEC Contactors

Ex9CS 12 A Miniature

- Built-in auxiliary contacts; additional auxiliary contacts are front mounted
- Non-Reversing



Certifications

IEC/EN 60947-1, 60947-4-1
UL 60947-1, 60947-4-1



Coil Voltage	12 A • 3 Poles				12 A • 4 Poles				
	3NO • 1NO Auxiliary Contact		3NO • 1NC Auxiliary Contact		4NO		2NO+2NC		
	Product	Part Number	Product	Part Number	Product	Part Number	Product	Part Number	
Vac • 50/60 Hz	24	Ex9CS1210B7	1320037	Ex9CS1201B7	1320091	Ex9CS12B7C	1320145	Ex9CS12B7B	1320451
	36	Ex9CS1210C7	1320038	Ex9CS1201C7	1320092	Ex9CS12C7C	1320146	Ex9CS12C7B	1320452
	42	Ex9CS1210D7	1320039	Ex9CS1201D7	1320093	Ex9CS12D7C	1320147	Ex9CS12D7B	1320453
	48	Ex9CS1210E7	1320040	Ex9CS1201E7	1320094	Ex9CS12E7C	1320148	Ex9CS12E7B	1320454
	110	Ex9CS1210F7	1320041	Ex9CS1201F7	1320095	Ex9CS12F7C	1320149	Ex9CS12F7B	1320455
	120	Ex9CS1210G7	1320042	Ex9CS1201G7	1320096	Ex9CS12G7C	1320150	Ex9CS12G7B	1320456
	208	Ex9CS1210X7	1320054	Ex9CS1201X7	1320108	Ex9CS12X7C	1320162	Ex9CS12X7B	1320468
	220	Ex9CS1210M7	1320043	Ex9CS1201M7	1320097	Ex9CS12M7C	1320151	Ex9CS12M7B	1320457
	230	Ex9CS1210P7	1320044	Ex9CS1201P7	1320098	Ex9CS12P7C	1320152	Ex9CS12P7B	1320458
	240	Ex9CS1210U7	1320046	Ex9CS1201U7	1320100	Ex9CS12U7C	1320154	Ex9CS12U7B	1320460
	277	Ex9CS1210N7	1320045	Ex9CS1201N7	1320099	Ex9CS12N7C	1320153	Ex9CS12N7B	1320459
	380	Ex9CS1210Q7	1320047	Ex9CS1201Q7	1320101	Ex9CS12Q7C	1320155	Ex9CS12Q7B	1320461
	400	Ex9CS1210V7	1320048	Ex9CS1201V7	1320102	Ex9CS12V7C	1320156	Ex9CS12V7B	1320462
	415	Ex9CS1210Z7	1320049	Ex9CS1201Z7	1320103	Ex9CS12Z7C	1320157	Ex9CS12Z7B	1320463
	440	Ex9CS1210R7	1320050	Ex9CS1201R7	1320104	Ex9CS12R7C	1320158	Ex9CS12R7B	1320464
480	Ex9CS1210T7	1320051	Ex9CS1201T7	1320105	Ex9CS12T7C	1320159	Ex9CS12T7B	1320465	
500	Ex9CS1210S7	1320052	Ex9CS1201S7	1320106	Ex9CS12S7C	1320160	Ex9CS12S7B	1320466	
Vdc	12	Ex9CS12D10A	1320335	Ex9CS12D01A	1320350	Ex9CS12DAC	1320365	Ex9CS12DAB	1320533
	24	Ex9CS12D10B	1320336	Ex9CS12D01B	1320351	Ex9CS12DBC	1320366	Ex9CS12DBB	1320534
	48	Ex9CS12D10E	1320337	Ex9CS12D01E	1320352	Ex9CS12DEC	1320367	Ex9CS12DEB	1320535
	110	Ex9CS12D10F	1320338	Ex9CS12D01F	1320353	Ex9CS12DFC	1320368	Ex9CS12DFB	1320536
	220	Ex9CS12D10M	1320339	Ex9CS12D01M	1320354	Ex9CS12DMC	1320369	Ex9CS12DMB	1320537
	250	Ex9CS12D10W	1320555	Ex9CS12D01W	1320558	Ex9CS12DWC	1320561	Ex9CS12DWB	1320573

IEC Contactors

Ex9C 9~12 A Standard

- Built-in auxiliary contacts; additional auxiliary contacts are front or side mounted
- Non-Reversing



Certifications

IEC/EN 60947-1, 60947-4-1
UL 60947-1, 60947-4-1



A

Coil Voltage	9 A • 3 Poles				12 A • 3 Poles				
	3NO • 1NO+1NC Auxiliary Contact		3NO • 2NO+2NC Auxiliary Contact		3NO • 1NO+1NC Auxiliary Contact		3NO • 2NO+2NC Auxiliary Contact		
	Product	Part Number	Product	Part Number	Product	Part Number	Product	Part Number	
Vac • 50/60 Hz	24	Ex9C0911B7	1320576	Ex9C0922B7	1320774	Ex9C1211B7	1320594	Ex9C1222B7	1320792
	36	Ex9C0911C7	1320577	Ex9C0922C7	1320775	Ex9C1211C7	1320595	Ex9C1222C7	1320793
	42	Ex9C0911D7	1320578	Ex9C0922D7	1320776	Ex9C1211D7	1320596	Ex9C1222D7	1320794
	48	Ex9C0911E7	1320579	Ex9C0922E7	1320777	Ex9C1211E7	1320597	Ex9C1222E7	1320795
	110	Ex9C0911F7	1320580	Ex9C0922F7	1320778	Ex9C1211F7	1320598	Ex9C1222F7	1320796
	120	Ex9C0911G7	1320581	Ex9C0922G7	1320779	Ex9C1211G7	1320599	Ex9C1222G7	1320797
	208	Ex9C0911X7	1320593	Ex9C0922X7	1320791	Ex9C1211X7	1320611	Ex9C1222X7	1320809
	220	Ex9C0911M7	1320582	Ex9C0922M7	1320780	Ex9C1211M7	1320600	Ex9C1222M7	1320798
	230	Ex9C0911P7	1320583	Ex9C0922P7	1320781	Ex9C1211P7	1320601	Ex9C1222P7	1320799
	240	Ex9C0911U7	1320585	Ex9C0922U7	1320783	Ex9C1211U7	1320603	Ex9C1222U7	1320801
	277	Ex9C0911N7	1320584	Ex9C0922N7	1320782	Ex9C1211N7	1320602	Ex9C1222N7	1320800
	380	Ex9C0911Q7	1320586	Ex9C0922Q7	1320784	Ex9C1211Q7	1320604	Ex9C1222Q7	1320802
	400	Ex9C0911V7	1320587	Ex9C0922V7	1320785	Ex9C1211V7	1320605	Ex9C1222V7	1320803
	415	Ex9C0911Z7	1320588	Ex9C0922Z7	1320786	Ex9C1211Z7	1320606	Ex9C1222Z7	1320804
	440	Ex9C0911R7	1320589	Ex9C0922R7	1320787	Ex9C1211R7	1320607	Ex9C1222R7	1320805
	480	Ex9C0911T7	1320590	Ex9C0922T7	1320788	Ex9C1211T7	1320608	Ex9C1222T7	1320806
500	Ex9C0911S7	1320591	Ex9C0922S7	1320789	Ex9C1211S7	1320609	Ex9C1222S7	1320807	
600	Ex9C0911Y7	1320592	Ex9C0922Y7	1320790	Ex9C1211Y7	1320610	Ex9C1222Y7	1320808	
Wide Range Electronic Coil Vac/dc	24~60	Ex9C09F11J	1321846	Ex9C09F22J	1321864	Ex9C12F11J	1321847	Ex9C12F22J	1321865
	48~130	Ex9C09F11H	1321852	Ex9C09F22H	1321870	Ex9C12F11H	1321853	Ex9C12F22H	1321871
	100~250	Ex9C09F11K	1321858	Ex9C09F22K	1321876	Ex9C12F11K	1321859	Ex9C12F22K	1321877

IEC Contactors

Ex9C 18~25 A Standard

- Built-in auxiliary contacts; additional auxiliary contacts are front or side mounted
- Non-Reversing



Certifications

IEC/EN 60947-1, 60947-4-1
UL 60947-1, 60947-4-1



Coil Voltage	18 A • 3 Poles				25 A • 3 Poles				
	3NO • 1NO+1NC Auxiliary Contact		3NO • 2NO+2NC Auxiliary Contact		3NO • 1NO+1NC Auxiliary Contact		3NO • 2NO+2NC Auxiliary Contact		
	Product	Part Number	Product	Part Number	Product	Part Number	Product	Part Number	
Vac • 50/60 Hz	24	Ex9C1811B7	1320612	Ex9C1822B7	1320810	Ex9C2511B7	1320630	Ex9C2522B7	1320828
	36	Ex9C1811C7	1320613	Ex9C1822C7	1320811	Ex9C2511C7	1320631	Ex9C2522C7	1320829
	42	Ex9C1811D7	1320614	Ex9C1822D7	1320812	Ex9C2511D7	1320632	Ex9C2522D7	1320830
	48	Ex9C1811E7	1320615	Ex9C1822E7	1320813	Ex9C2511E7	1320633	Ex9C2522E7	1320831
	110	Ex9C1811F7	1320616	Ex9C1822F7	1320814	Ex9C2511F7	1320634	Ex9C2522F7	1320832
	120	Ex9C1811G7	1320617	Ex9C1822G7	1320815	Ex9C2511G7	1320635	Ex9C2522G7	1320833
	208	Ex9C1811X7	1320629	Ex9C1822X7	1320827	Ex9C2511X7	1320647	Ex9C2522X7	1320845
	220	Ex9C1811M7	1320618	Ex9C1822M7	1320816	Ex9C2511M7	1320636	Ex9C2522M7	1320834
	230	Ex9C1811P7	1320619	Ex9C1822P7	1320817	Ex9C2511P7	1320637	Ex9C2522P7	1320835
	240	Ex9C1811U7	1320621	Ex9C1822U7	1320819	Ex9C2511U7	1320639	Ex9C2522U7	1320837
	277	Ex9C1811N7	1320620	Ex9C1822N7	1320818	Ex9C2511N7	1320638	Ex9C2522N7	1320836
	380	Ex9C1811Q7	1320622	Ex9C1822Q7	1320820	Ex9C2511Q7	1320640	Ex9C2522Q7	1320838
	400	Ex9C1811V7	1320623	Ex9C1822V7	1320821	Ex9C2511V7	1320641	Ex9C2522V7	1320839
	415	Ex9C1811Z7	1320624	Ex9C1822Z7	1320822	Ex9C2511Z7	1320642	Ex9C2522Z7	1320840
	440	Ex9C1811R7	1320625	Ex9C1822R7	1320823	Ex9C2511R7	1320643	Ex9C2522R7	1320841
	480	Ex9C1811T7	1320626	Ex9C1822T7	1320824	Ex9C2511T7	1320644	Ex9C2522T7	1320842
500	Ex9C1811S7	1320627	Ex9C1822S7	1320825	Ex9C2511S7	1320645	Ex9C2522S7	1320843	
600	Ex9C1811Y7	1320628	Ex9C1822Y7	1320826	Ex9C2511Y7	1320646	Ex9C2522Y7	1320844	
Wide Range Electronic Coil Vac/dc	24~60	Ex9C18F11J	1321848	Ex9C18F22J	1321866	Ex9C25F11J	1321849	Ex9C25F22J	1321867
	48~130	Ex9C18F11H	1321854	Ex9C18F22H	1321872	Ex9C25F11H	1321855	Ex9C25F22H	1321873
	100~250	Ex9C18F11K	1321860	Ex9C18F22K	1321878	Ex9C25F11K	1321861	Ex9C25F22K	1321879

IEC Contactors

Ex9C 32~38 A Standard

- Built-in auxiliary contacts; additional auxiliary contacts are front or side mounted
- Non-Reversing



Certifications

IEC/EN 60947-1, 60947-4-1
UL 60947-1, 60947-4-1



A

Coil Voltage	32 A • 3 Poles				38 A • 3 Poles				
	3NO • 1NO+1NC Auxiliary Contact		3NO • 2NO+2NC Auxiliary Contact		3NO • 1NO+1NC Auxiliary Contact		3NO • 2NO+2NC Auxiliary Contact		
	Product	Part Number	Product	Part Number	Product	Part Number	Product	Part Number	
Vac • 50/60 Hz	24	Ex9C3211B7	1320648	Ex9C3222B7	1320846	Ex9C3811B7	1320666	Ex9C3822B7	1320864
	36	Ex9C3211C7	1320649	Ex9C3222C7	1320847	Ex9C3811C7	1320667	Ex9C3822C7	1320865
	42	Ex9C3211D7	1320650	Ex9C3222D7	1320848	Ex9C3811D7	1320668	Ex9C3822D7	1320866
	48	Ex9C3211E7	1320651	Ex9C3222E7	1320849	Ex9C3811E7	1320669	Ex9C3822E7	1320867
	110	Ex9C3211F7	1320652	Ex9C3222F7	1320850	Ex9C3811F7	1320670	Ex9C3822F7	1320868
	120	Ex9C3211G7	1320653	Ex9C3222G7	1320851	Ex9C3811G7	1320671	Ex9C3822G7	1320869
	208	Ex9C3211X7	1320665	Ex9C3222X7	1320863	Ex9C3811X7	1320683	Ex9C3822X7	1320881
	220	Ex9C3211M7	1320654	Ex9C3222M7	1320852	Ex9C3811M7	1320672	Ex9C3822M7	1320870
	230	Ex9C3211P7	1320655	Ex9C3222P7	1320853	Ex9C3811P7	1320673	Ex9C3822P7	1320871
	240	Ex9C3211U7	1320657	Ex9C3222U7	1320855	Ex9C3811U7	1320675	Ex9C3822U7	1320873
	277	Ex9C3211N7	1320656	Ex9C3222N7	1320854	Ex9C3811N7	1320674	Ex9C3822N7	1320872
	380	Ex9C3211Q7	1320658	Ex9C3222Q7	1320856	Ex9C3811Q7	1320676	Ex9C3822Q7	1320874
	400	Ex9C3211V7	1320659	Ex9C3222V7	1320857	Ex9C3811V7	1320677	Ex9C3822V7	1320875
	415	Ex9C3211Z7	1320660	Ex9C3222Z7	1320858	Ex9C3811Z7	1320678	Ex9C3822Z7	1320876
	440	Ex9C3211R7	1320661	Ex9C3222R7	1320859	Ex9C3811R7	1320679	Ex9C3822R7	1320877
	480	Ex9C3211T7	1320662	Ex9C3222T7	1320860	Ex9C3811T7	1320680	Ex9C3822T7	1320878
500	Ex9C3211S7	1320663	Ex9C3222S7	1320861	Ex9C3811S7	1320681	Ex9C3822S7	1320879	
600	Ex9C3211Y7	1320664	Ex9C3222Y7	1320862	Ex9C3811Y7	1320682	Ex9C3822Y7	1320880	
Wide Range Electronic Coil Vac/dc	24~60	Ex9C32F11J	1321850	Ex9C32F22J	1321868	Ex9C38F11J	1321851	Ex9C38F22J	1321869
	48~130	Ex9C32F11H	1321856	Ex9C32F22H	1321874	Ex9C38F11H	1321857	Ex9C38F22H	1321875
	100~250	Ex9C32F11K	1321862	Ex9C32F22K	1321880	Ex9C38F11K	1321863	Ex9C38F22K	1321881

IEC Contactors

Ex9C 40~100 A Standard

- Built-in side auxiliary contacts; additional auxiliary contacts are front or side mounted
- Non-Reversing



Certifications

IEC/EN 60947-1, 60947-4-1
UL 60947-1, 60947-4-1

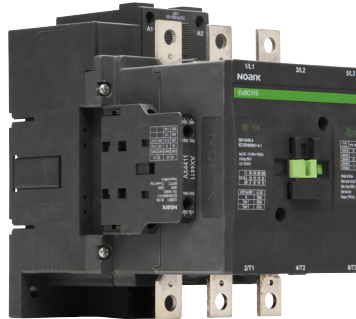


Coil Voltage	40 A • 3 Poles		50 A • 3 Poles		65 A • 3 Poles		80 A • 3 Poles		100 A • 3 Poles		
	Product	Part Number	Product	Part Number	Product	Part Number	Product	Part Number	Product	Part Number	
Vac • 50/60 Hz	24	Ex9C4011B7 1320684	Ex9C5011B7 1320702	Ex9C6511B7 1320720	Ex9C8011B7 1320738	Ex9C10011B7 1320756	3NO • 1NO+1NC Auxiliary Contact	3NO • 1NO+1NC Auxiliary Contact	3NO • 1NO+1NC Auxiliary Contact	3NO • 1NO+1NC Auxiliary Contact	3NO • 1NO+1NC Auxiliary Contact
	36	Ex9C4011C7 1320685	Ex9C5011C7 1320703	Ex9C6511C7 1320721	Ex9C8011C7 1320739	Ex9C10011C7 1320757	3NO • 1NO+1NC Auxiliary Contact	3NO • 1NO+1NC Auxiliary Contact	3NO • 1NO+1NC Auxiliary Contact	3NO • 1NO+1NC Auxiliary Contact	3NO • 1NO+1NC Auxiliary Contact
	42	Ex9C4011D7 1320686	Ex9C5011D7 1320704	Ex9C6511D7 1320722	Ex9C8011D7 1320740	Ex9C10011D7 1320758	3NO • 1NO+1NC Auxiliary Contact	3NO • 1NO+1NC Auxiliary Contact	3NO • 1NO+1NC Auxiliary Contact	3NO • 1NO+1NC Auxiliary Contact	3NO • 1NO+1NC Auxiliary Contact
	48	Ex9C4011E7 1320687	Ex9C5011E7 1320705	Ex9C6511E7 1320723	Ex9C8011E7 1320741	Ex9C10011E7 1320759	3NO • 1NO+1NC Auxiliary Contact	3NO • 1NO+1NC Auxiliary Contact	3NO • 1NO+1NC Auxiliary Contact	3NO • 1NO+1NC Auxiliary Contact	3NO • 1NO+1NC Auxiliary Contact
	110	Ex9C4011F7 1320688	Ex9C5011F7 1320706	Ex9C6511F7 1320724	Ex9C8011F7 1320742	Ex9C10011F7 1320760	3NO • 1NO+1NC Auxiliary Contact	3NO • 1NO+1NC Auxiliary Contact	3NO • 1NO+1NC Auxiliary Contact	3NO • 1NO+1NC Auxiliary Contact	3NO • 1NO+1NC Auxiliary Contact
	120	Ex9C4011G7 1320689	Ex9C5011G7 1320707	Ex9C6511G7 1320725	Ex9C8011G7 1320743	Ex9C10011G7 1320761	3NO • 1NO+1NC Auxiliary Contact	3NO • 1NO+1NC Auxiliary Contact	3NO • 1NO+1NC Auxiliary Contact	3NO • 1NO+1NC Auxiliary Contact	3NO • 1NO+1NC Auxiliary Contact
	208	Ex9C4011X7 1320701	Ex9C5011X7 1320719	Ex9C6511X7 1320737	Ex9C8011X7 1320755	Ex9C10011X7 1320773	3NO • 1NO+1NC Auxiliary Contact	3NO • 1NO+1NC Auxiliary Contact	3NO • 1NO+1NC Auxiliary Contact	3NO • 1NO+1NC Auxiliary Contact	3NO • 1NO+1NC Auxiliary Contact
	220	Ex9C4011M7 1320690	Ex9C5011M7 1320708	Ex9C6511M7 1320726	Ex9C8011M7 1320744	Ex9C10011M7 1320762	3NO • 1NO+1NC Auxiliary Contact	3NO • 1NO+1NC Auxiliary Contact	3NO • 1NO+1NC Auxiliary Contact	3NO • 1NO+1NC Auxiliary Contact	3NO • 1NO+1NC Auxiliary Contact
	230	Ex9C4011P7 1320691	Ex9C5011P7 1320709	Ex9C6511P7 1320727	Ex9C8011P7 1320745	Ex9C10011P7 1320763	3NO • 1NO+1NC Auxiliary Contact	3NO • 1NO+1NC Auxiliary Contact	3NO • 1NO+1NC Auxiliary Contact	3NO • 1NO+1NC Auxiliary Contact	3NO • 1NO+1NC Auxiliary Contact
	240	Ex9C4011U7 1320693	Ex9C5011U7 1320711	Ex9C6511U7 1320729	Ex9C8011U7 1320747	Ex9C10011U7 1320765	3NO • 1NO+1NC Auxiliary Contact	3NO • 1NO+1NC Auxiliary Contact	3NO • 1NO+1NC Auxiliary Contact	3NO • 1NO+1NC Auxiliary Contact	3NO • 1NO+1NC Auxiliary Contact
	277	Ex9C4011N7 1320692	Ex9C5011N7 1320710	Ex9C6511N7 1320728	Ex9C8011N7 1320746	Ex9C10011N7 1320764	3NO • 1NO+1NC Auxiliary Contact	3NO • 1NO+1NC Auxiliary Contact	3NO • 1NO+1NC Auxiliary Contact	3NO • 1NO+1NC Auxiliary Contact	3NO • 1NO+1NC Auxiliary Contact
	380	Ex9C4011Q7 1320694	Ex9C5011Q7 1320712	Ex9C6511Q7 1320730	Ex9C8011Q7 1320748	Ex9C10011Q7 1320766	3NO • 1NO+1NC Auxiliary Contact	3NO • 1NO+1NC Auxiliary Contact	3NO • 1NO+1NC Auxiliary Contact	3NO • 1NO+1NC Auxiliary Contact	3NO • 1NO+1NC Auxiliary Contact
	400	Ex9C4011V7 1320695	Ex9C5011V7 1320713	Ex9C6511V7 1320731	Ex9C8011V7 1320749	Ex9C10011V7 1320767	3NO • 1NO+1NC Auxiliary Contact	3NO • 1NO+1NC Auxiliary Contact	3NO • 1NO+1NC Auxiliary Contact	3NO • 1NO+1NC Auxiliary Contact	3NO • 1NO+1NC Auxiliary Contact
	415	Ex9C4011Z7 1320696	Ex9C5011Z7 1320714	Ex9C6511Z7 1320732	Ex9C8011Z7 1320750	Ex9C10011Z7 1320768	3NO • 1NO+1NC Auxiliary Contact	3NO • 1NO+1NC Auxiliary Contact	3NO • 1NO+1NC Auxiliary Contact	3NO • 1NO+1NC Auxiliary Contact	3NO • 1NO+1NC Auxiliary Contact
	440	Ex9C4011R7 1320697	Ex9C5011R7 1320715	Ex9C6511R7 1320733	Ex9C8011R7 1320751	Ex9C10011R7 1320769	3NO • 1NO+1NC Auxiliary Contact	3NO • 1NO+1NC Auxiliary Contact	3NO • 1NO+1NC Auxiliary Contact	3NO • 1NO+1NC Auxiliary Contact	3NO • 1NO+1NC Auxiliary Contact
	480	Ex9C4011T7 1320698	Ex9C5011T7 1320716	Ex9C6511T7 1320734	Ex9C8011T7 1320752	Ex9C10011T7 1320770	3NO • 1NO+1NC Auxiliary Contact	3NO • 1NO+1NC Auxiliary Contact	3NO • 1NO+1NC Auxiliary Contact	3NO • 1NO+1NC Auxiliary Contact	3NO • 1NO+1NC Auxiliary Contact
500	Ex9C4011S7 1320699	Ex9C5011S7 1320717	Ex9C6511S7 1320735	Ex9C8011S7 1320753	Ex9C10011S7 1320771	3NO • 1NO+1NC Auxiliary Contact	3NO • 1NO+1NC Auxiliary Contact	3NO • 1NO+1NC Auxiliary Contact	3NO • 1NO+1NC Auxiliary Contact	3NO • 1NO+1NC Auxiliary Contact	
600	Ex9C4011Y7 1320700	Ex9C5011Y7 1320718	Ex9C6511Y7 1320736	Ex9C8011Y7 1320754	Ex9C10011Y7 1320772	3NO • 1NO+1NC Auxiliary Contact	3NO • 1NO+1NC Auxiliary Contact	3NO • 1NO+1NC Auxiliary Contact	3NO • 1NO+1NC Auxiliary Contact	3NO • 1NO+1NC Auxiliary Contact	
Wide Range Electronic Coil Vac/dc	24~60	Ex9C40F11J 1321936	Ex9C50F11J 1321939	Ex9C65F11J 1321942	Ex9C80F11J 1321945	Ex9C100F11J 1321948	3NO • 1NO+1NC Auxiliary Contact	3NO • 1NO+1NC Auxiliary Contact	3NO • 1NO+1NC Auxiliary Contact	3NO • 1NO+1NC Auxiliary Contact	3NO • 1NO+1NC Auxiliary Contact
	48~130	Ex9C40F11H 1321937	Ex9C50F11H 1321940	Ex9C65F11H 1321943	Ex9C80F11H 1321946	Ex9C100F11H 1321949	3NO • 1NO+1NC Auxiliary Contact	3NO • 1NO+1NC Auxiliary Contact	3NO • 1NO+1NC Auxiliary Contact	3NO • 1NO+1NC Auxiliary Contact	3NO • 1NO+1NC Auxiliary Contact
	100~250	Ex9C40F11K 1321938	Ex9C50F11K 1321941	Ex9C65F11K 1321944	Ex9C80F11K 1321947	Ex9C100F11K 1321950	3NO • 1NO+1NC Auxiliary Contact	3NO • 1NO+1NC Auxiliary Contact	3NO • 1NO+1NC Auxiliary Contact	3NO • 1NO+1NC Auxiliary Contact	3NO • 1NO+1NC Auxiliary Contact

IEC Contactors

Ex9C 115~225 A Standard

- Built-in side auxiliary contacts; additional auxiliary contacts are front or side mounted
- Non-Reversing



Certifications
 IEC/EN 60947-1, 60947-4-1
 UL 60947-1, 60947-4-1

CE cULus LISTED

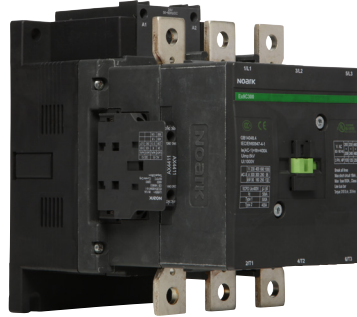
A

Coil Voltage	115 A • 3 Poles				150 A • 3 Poles				185 A • 3 Poles				225 A • 3 Poles					
	3NO • 2NO+2NC Auxiliary Contact				3NO • 2NO+2NC Auxiliary Contact				3NO • 2NO+2NC Auxiliary Contact				3NO • 2NO+2NC Auxiliary Contact					
	Product	Part Number	Product	Part Number	Product	Part Number	Product	Part Number	Product	Part Number	Product	Part Number	Product	Part Number				
Vac/dc	24	Ex9C115E22B	1321316	Ex9C150E22B	1321331	Ex9C185E22B	1321346	Ex9C225E22B	1321361	Ex9C115E22C	1321317	Ex9C150E22C	1321332	Ex9C185E22C	1321347	Ex9C225E22C	1321362	
	42	Ex9C115E22D	1321318	Ex9C150E22D	1321333	Ex9C185E22D	1321348	Ex9C225E22D	1321363	Ex9C115E22E	1321319	Ex9C150E22E	1321334	Ex9C185E22E	1321349	Ex9C225E22E	1321364	
	48	Ex9C115E22F	1321320	Ex9C150E22F	1321335	Ex9C185E22F	1321350	Ex9C225E22F	1321365	Ex9C115E22G	1321321	Ex9C150E22G	1321336	Ex9C185E22G	1321351	Ex9C225E22G	1321366	
	110	Ex9C115E22X	1321324	Ex9C150E22X	1321339	Ex9C185E22X	1321354	Ex9C225E22X	1321369	Ex9C115E22M	1321322	Ex9C150E22M	1321337	Ex9C185E22M	1321352	Ex9C225E22M	1321367	
	120	Ex9C115E22P	1321323	Ex9C150E22P	1321338	Ex9C185E22P	1321353	Ex9C225E22P	1321368	Ex9C115E22U	1321325	Ex9C150E22U	1321340	Ex9C185E22U	1321355	Ex9C225E22U	1321370	
	208	Ex9C115E22N	1321328	Ex9C150E22N	1321643	Ex9C185E22N	1321358	Ex9C225E22N	1321644	Ex9C115E22Q	1321326	Ex9C150E22Q	1321341	Ex9C185E22Q	1321356	Ex9C225E22Q	1321371	
	220	Ex9C115E22V	1321327	Ex9C150E22V	1321342	Ex9C185E22V	1321357	Ex9C225E22V	1321372	Ex9C115E22Z	1321651	Ex9C150E22Z	1321343	Ex9C185E22Z	1321653	Ex9C225E22Z	1321373	
	230	Ex9C115E22T	1321329	Ex9C150E22T	1321344	Ex9C185E22T	1321359	Ex9C225E22T	1321374	Ex9C115E22Y	1321330	Ex9C150E22Y	1321345	Ex9C185E22Y	1321360	Ex9C225E22Y	1321375	
	240	Ex9C115E22H	1321434	Ex9C150E22H	1321437	Ex9C185E22H	1321440	Ex9C225E22H	1321443	Ex9C115E22K	1321435	Ex9C150E22K	1321438	Ex9C185E22K	1321441	Ex9C225E22K	1321444	
	277	Ex9C115E22L	1321436	Ex9C150E22L	1321439	Ex9C185E22L	1321442	Ex9C225E22L	1321445									
	380																	
	400																	
	415																	
	480																	
600																		
Wide Range Electronic Coil Vac/dc	48~130	Ex9C115F22H	1321434	Ex9C150F22H	1321437	Ex9C185F22H	1321440	Ex9C225F22H	1321443									
	100~250	Ex9C115F22K	1321435	Ex9C150F22K	1321438	Ex9C185F22K	1321441	Ex9C225F22K	1321444									
	250~500	Ex9C115F22L	1321436	Ex9C150F22L	1321439	Ex9C185F22L	1321442	Ex9C225F22L	1321445									

IEC Contactors

Ex9C 265~500 A Standard

- Built-in side auxiliary contacts; additional auxiliary contacts are front or side mounted
- Non-Reversing



Certifications

IEC/EN 60947-1, 60947-4-1
UL 60947-1, 60947-4-1

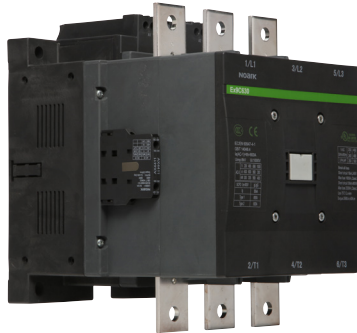


Coil Voltage	265 A • 3 Poles		300 A • 3 Poles		400 A • 3 Poles		500 A • 3 Poles		
	3NO • 2NO+2NC Auxiliary Contact		3NO • 2NO+2NC Auxiliary Contact		3NO • 2NO+2NC Auxiliary Contact		3NO • 2NO+2NC Auxiliary Contact		
	Product	Part Number	Product	Part Number	Product	Part Number	Product	Part Number	
Vac/dc	24	Ex9C265E22B	1321376	Ex9C300E22B	1321391	-	-	-	-
	36	Ex9C265E22C	1321377	Ex9C300E22C	1321392	Ex9C400E22C	1321406	Ex9C500E22C	1321420
	42	Ex9C265E22D	1321378	Ex9C300E22D	1321393	Ex9C400E22D	1321407	Ex9C500E22D	1321421
	48	Ex9C265E22E	1321379	Ex9C300E22E	1321394	Ex9C400E22E	1321408	Ex9C500E22E	1321422
	110	Ex9C265E22F	1321380	Ex9C300E22F	1321395	Ex9C400E22F	1321409	Ex9C500E22F	1321423
	120	Ex9C265E22G	1321381	Ex9C300E22G	1321396	Ex9C400E22G	1321410	Ex9C500E22G	1321424
	208	Ex9C265E22X	1321384	Ex9C300E22X	1321399	Ex9C400E22X	1321413	Ex9C500E22X	1321427
	220	Ex9C265E22M	1321382	Ex9C300E22M	1321397	Ex9C400E22M	1321411	Ex9C500E22M	1321425
	230	Ex9C265E22P	1321383	Ex9C300E22P	1321398	Ex9C400E22P	1321412	Ex9C500E22P	1321426
	240	Ex9C265E22U	1321385	Ex9C300E22U	1321400	Ex9C400E22U	1321414	Ex9C500E22U	1321428
	277	Ex9C265E22N	1321388	Ex9C300E22N	1321645	Ex9C400E22N	1321417	Ex9C500E22N	1321646
	380	Ex9C265E22Q	1321386	Ex9C300E22Q	1321401	Ex9C400E22Q	1321415	Ex9C500E22Q	1321429
	400	Ex9C265E22V	1321387	Ex9C300E22V	1321402	Ex9C400E22V	1321416	Ex9C500E22V	1321430
	415	Ex9C265E22Z	1321654	Ex9C300E22Z	1321403	Ex9C400E22Z	1321655	Ex9C500E22Z	1321431
480	Ex9C265E22T	1321389	Ex9C300E22T	1321404	Ex9C400E22T	1321418	Ex9C500E22T	1321432	
600	Ex9C265E22Y	1321390	Ex9C300E22Y	1321405	Ex9C400E22Y	1321419	Ex9C500E22Y	1321433	
Wide Range Electronic Coil Vac/dc	48~130	Ex9C265F22H	1321446	Ex9C300F22H	1321449	Ex9C400F22H	1321452	Ex9C500F22H	1321455
	100~250	Ex9C265F22K	1321447	Ex9C300F22K	1321450	Ex9C400F22K	1321453	Ex9C500F22K	1321456
	250~500	Ex9C265F22L	1321448	Ex9C300F22L	1321451	Ex9C400F22L	1321454	Ex9C500F22L	1321457

IEC Contactors

Ex9C 630~1,000 A Standard

- Built-in side auxiliary contacts; additional auxiliary contacts are front or side mounted
- Non-Reversing



Certifications

IEC/EN 60947-1, 60947-4-1
UL 60947-1, 60947-4-1



A

Coil Voltage	630 A • 3 Poles				800 A • 3 Poles				1,000 A • 3 Poles			
	3NO • 2NO+2NC Auxiliary Contact				3NO • 2NO+2NC Auxiliary Contact				3NO • 2NO+2NC Auxiliary Contact			
	Product	Part Number	Product	Part Number	Product	Part Number						
Vac/dc	48	Ex9C630E22EG	1321807	Ex9C800E22EG	1321819	Ex9C1000E22EG	1321831					
	110	Ex9C630E22FG	1321808	Ex9C800E22FG	1321820	Ex9C1000E22FG	1321832					
	120	Ex9C630E22GG	1321809	Ex9C800E22GG	1321821	Ex9C1000E22GG	1321833					
	220	Ex9C630E22MG	1321811	Ex9C800E22MG	1321823	Ex9C1000E22MG	1321835					
	230	Ex9C630E22PG	1321812	Ex9C800E22PG	1321824	Ex9C1000E22PG	1321836					
	240	Ex9C630E22UG	1321813	Ex9C800E22UG	1321825	Ex9C1000E22UG	1321837					
	277	Ex9C630E22NG	1321815	Ex9C800E22NG	1321827	Ex9C1000E22NG	1321839					
	380	Ex9C630E22QG	1321816	Ex9C800E22QG	1321828	Ex9C1000E22QG	1321840					
	400	Ex9C630E22VG	1321817	Ex9C800E22VG	1321829	Ex9C1000E22VG	1321841					
	415	Ex9C630E22ZG	1321818	Ex9C800E22ZG	1321830	Ex9C1000E22ZG	1321842					
480	EX9C630E22TG	1321843	EX9C800E22TG	1321844	EX9C1000E22TG	1321845						
Wide Range Electronic Coil Vac/dc	100~250	EX9C630F22K	1321229	EX9C800F22K	1321232	EX9C1000F22K	1321235					
	250~500	EX9C630F22L	1321230	EX9C800F22L	1321233	EX9C1000F22L	1321236					

IEC Contactors

Ex9CSR 6 A Miniature

- Built-in auxiliary contacts; additional auxiliary contacts are front mounted
- Reversing



Certifications

IEC/EN 60947-1, 60947-4-1
UL 60947-1, 60947-4-1

Coil Voltage	6 A • 3 Poles				6 A • 4 Poles		
	3NO • 1NO Auxiliary Contact		3NO • 1NC Auxiliary Contact		4NO		
	Product	Part Number	Product	Part Number	Product	Part Number	
Vac • 50/60 Hz	24	Ex9CSR0610B7	1320163	Ex9CSR0601B7	1320217	Ex9CSR06B7C	1320271
	36	Ex9CSR0610C7	1320164	Ex9CSR0601C7	1320218	Ex9CSR06C7C	1320272
	42	Ex9CSR0610D7	1320165	Ex9CSR0601D7	1320219	Ex9CSR06D7C	1320273
	48	Ex9CSR0610E7	1320166	Ex9CSR0601E7	1320220	Ex9CSR06E7C	1320274
	110	Ex9CSR0610F7	1320167	Ex9CSR0601F7	1320221	Ex9CSR06F7C	1320275
	120	Ex9CSR0610G7	1320168	Ex9CSR0601G7	1320222	Ex9CSR06G7C	1320276
	208	Ex9CSR0610X7	1320180	Ex9CSR0601X7	1320234	Ex9CSR06X7C	1320288
	220	Ex9CSR0610M7	1320169	Ex9CSR0601M7	1320223	Ex9CSR06M7C	1320277
	230	Ex9CSR0610P7	1320170	Ex9CSR0601P7	1320224	Ex9CSR06P7C	1320278
	240	Ex9CSR0610U7	1320172	Ex9CSR0601U7	1320226	Ex9CSR06U7C	1320280
	277	Ex9CSR0610N7	1320171	Ex9CSR0601N7	1320225	Ex9CSR06N7C	1320279
	380	Ex9CSR0610Q7	1320173	Ex9CSR0601Q7	1320227	Ex9CSR06Q7C	1320281
	400	Ex9CSR0610V7	1320174	Ex9CSR0601V7	1320228	Ex9CSR06V7C	1320282
	415	Ex9CSR0610Z7	1320175	Ex9CSR0601Z7	1320229	Ex9CSR06Z7C	1320283
440	Ex9CSR0610R7	1320176	Ex9CSR0601R7	1320230	Ex9CSR06R7C	1320284	
480	Ex9CSR0610T7	1320177	Ex9CSR0601T7	1320231	Ex9CSR06T7C	1320285	
500	Ex9CSR0610S7	1320178	Ex9CSR0601S7	1320232	Ex9CSR06S7C	1320286	
Vdc	12	Ex9CSR06D10A	1320370	Ex9CSR06D01A	1320385	Ex9CSR06DAC	1320400
	24	Ex9CSR06D10B	1320371	Ex9CSR06D01B	1320386	Ex9CSR06DBC	1320401
	48	Ex9CSR06D10E	1320372	Ex9CSR06D01E	1320387	Ex9CSR06DEC	1320402
	110	Ex9CSR06D10F	1320373	Ex9CSR06D01F	1320388	Ex9CSR06DFC	1320403
	220	Ex9CSR06D10M	1320374	Ex9CSR06D01M	1320389	Ex9CSR06DMC	1320404
	250	Ex9CSR06D10W	1320562	Ex9CSR06D01W	1320565	Ex9CSR06DWC	1320568

IEC Contactors

Ex9CSR 9 A Miniature

- Built-in auxiliary contacts; additional auxiliary contacts are front mounted
- Reversing



Certifications

IEC/EN 60947-1, 60947-4-1
UL 60947-1, 60947-4-1



A

Coil Voltage	9 A • 3 Poles				9 A • 4 Poles		
	3NO • 1NO Auxiliary Contact		3NO • 1NC Auxiliary Contact		4NO		
	Product	Part Number	Product	Part Number	Product	Part Number	
Vac • 50/60 Hz	24	Ex9CSR0910B7	1320181	Ex9CSR0901B7	1320235	Ex9CSR09B7C	1320289
	36	Ex9CSR0910C7	1320182	Ex9CSR0901C7	1320236	Ex9CSR09C7C	1320290
	42	Ex9CSR0910D7	1320183	Ex9CSR0901D7	1320237	Ex9CSR09D7C	1320291
	48	Ex9CSR0910E7	1320184	Ex9CSR0901E7	1320238	Ex9CSR09E7C	1320292
	110	Ex9CSR0910F7	1320185	Ex9CSR0901F7	1320239	Ex9CSR09F7C	1320293
	120	Ex9CSR0910G7	1320186	Ex9CSR0901G7	1320240	Ex9CSR09G7C	1320294
	208	Ex9CSR0910X7	1320198	Ex9CSR0901X7	1320252	Ex9CSR09X7C	1320306
	220	Ex9CSR0910M7	1320187	Ex9CSR0901M7	1320241	Ex9CSR09M7C	1320295
	230	Ex9CSR0910P7	1320188	Ex9CSR0901P7	1320242	Ex9CSR09P7C	1320296
	240	Ex9CSR0910U7	1320190	Ex9CSR0901U7	1320244	Ex9CSR09U7C	1320298
	277	Ex9CSR0910N7	1320189	Ex9CSR0901N7	1320243	Ex9CSR09N7C	1320297
	380	Ex9CSR0910Q7	1320191	Ex9CSR0901Q7	1320245	Ex9CSR09Q7C	1320299
	400	Ex9CSR0910V7	1320192	Ex9CSR0901V7	1320246	Ex9CSR09V7C	1320300
	415	Ex9CSR0910Z7	1320193	Ex9CSR0901Z7	1320247	Ex9CSR09Z7C	1320301
	440	Ex9CSR0910R7	1320194	Ex9CSR0901R7	1320248	Ex9CSR09R7C	1320302
480	Ex9CSR0910T7	1320195	Ex9CSR0901T7	1320249	Ex9CSR09T7C	1320303	
500	Ex9CSR0910S7	1320196	Ex9CSR0901S7	1320250	Ex9CSR09S7C	1320304	
Vdc	12	Ex9CSR09D10A	1320375	Ex9CSR09D01A	1320390	Ex9CSR09DAC	1320405
	24	Ex9CSR09D10B	1320376	Ex9CSR09D01B	1320391	Ex9CSR09DBC	1320406
	48	Ex9CSR09D10E	1320377	Ex9CSR09D01E	1320392	Ex9CSR09DEC	1320407
	110	Ex9CSR09D10F	1320378	Ex9CSR09D01F	1320393	Ex9CSR09DFC	1320408
	220	Ex9CSR09D10M	1320379	Ex9CSR09D01M	1320394	Ex9CSR09DMC	1320409
	250	Ex9CSR09D10W	1320563	Ex9CSR09D01W	1320566	Ex9CSR09DWC	1320569

IEC Contactors

Ex9CSR 12 A Miniature

- Built-in auxiliary contacts; additional auxiliary contacts are front mounted
- Reversing



Certifications
 IEC/EN 60947-1, 60947-4-1
 UL 60947-1, 60947-4-1

CE **UL** **LISTED**

Coil Voltage	12 A • 3 Poles				12 A • 4 Poles		
	3NO • 1NO Auxiliary Contact		3NO • 1NC Auxiliary Contact		4NO		
	Product	Part Number	Product	Part Number	Product	Part Number	
Vac • 50/60 Hz	24	Ex9CSR1210B7	1320199	Ex9CSR1201B7	1320253	Ex9CSR12B7C	1320307
	36	Ex9CSR1210C7	1320200	Ex9CSR1201C7	1320254	Ex9CSR12C7C	1320308
	42	Ex9CSR1210D7	1320201	Ex9CSR1201D7	1320255	Ex9CSR12D7C	1320309
	48	Ex9CSR1210E7	1320202	Ex9CSR1201E7	1320256	Ex9CSR12E7C	1320310
	110	Ex9CSR1210F7	1320203	Ex9CSR1201F7	1320257	Ex9CSR12F7C	1320311
	120	Ex9CSR1210G7	1320204	Ex9CSR1201G7	1320258	Ex9CSR12G7C	1320312
	208	Ex9CSR1210X7	1320216	Ex9CSR1201X7	1320270	Ex9CSR12X7C	1320324
	220	Ex9CSR1210M7	1320205	Ex9CSR1201M7	1320259	Ex9CSR12M7C	1320313
	230	Ex9CSR1210P7	1320206	Ex9CSR1201P7	1320260	Ex9CSR12P7C	1320314
	240	Ex9CSR1210U7	1320208	Ex9CSR1201U7	1320262	Ex9CSR12U7C	1320316
	277	Ex9CSR1210N7	1320207	Ex9CSR1201N7	1320261	Ex9CSR12N7C	1320315
	380	Ex9CSR1210Q7	1320209	Ex9CSR1201Q7	1320263	Ex9CSR12Q7C	1320317
	400	Ex9CSR1210V7	1320210	Ex9CSR1201V7	1320264	Ex9CSR12V7C	1320318
	415	Ex9CSR1210Z7	1320211	Ex9CSR1201Z7	1320265	Ex9CSR12Z7C	1320319
440	Ex9CSR1210R7	1320212	Ex9CSR1201R7	1320266	Ex9CSR12R7C	1320320	
480	Ex9CSR1210T7	1320213	Ex9CSR1201T7	1320267	Ex9CSR12T7C	1320321	
500	Ex9CSR1210S7	1320214	Ex9CSR1201S7	1320268	Ex9CSR12S7C	1320322	
Vdc	12	Ex9CSR12D10A	1320380	Ex9CSR12D01A	1320395	Ex9CSR12DAC	1320410
	24	Ex9CSR12D10B	1320381	Ex9CSR12D01B	1320396	Ex9CSR12DBC	1320411
	48	Ex9CSR12D10E	1320382	Ex9CSR12D01E	1320397	Ex9CSR12DEC	1320412
	110	Ex9CSR12D10F	1320383	Ex9CSR12D01F	1320398	Ex9CSR12DFC	1320413
	220	Ex9CSR12D10M	1320384	Ex9CSR12D01M	1320399	Ex9CSR12DMC	1320414
	250	Ex9CSR12D10W	1320564	Ex9CSR12D01W	1320567	Ex9CSR12DWC	1320570

IEC Contactors

Ex9CR 9~12 A Standard

- Built-in auxiliary contacts; additional auxiliary contacts are front or side mounted
- Reversing



Certifications

IEC/EN 60947-1, 60947-4-1
UL 60947-1, 60947-4-1



A

Coil Voltage	9 A • 3 Poles				12 A • 3 Poles				
	3NO • 1NO+1NC Auxiliary Contact		3NO • 2NO+2NC Auxiliary Contact		3NO • 1NO+1NC Auxiliary Contact		3NO • 2NO+2NC Auxiliary Contact		
	Product	Part Number	Product	Part Number	Product	Part Number	Product	Part Number	
Vac • 50/60 Hz	24	Ex9CR0911B7	1320882	Ex9CR0922B7	1321062	Ex9CR1211B7	1320900	Ex9CR1222B7	1321080
	36	Ex9CR0911C7	1320883	Ex9CR0922C7	1321063	Ex9CR1211C7	1320901	Ex9CR1222C7	1321081
	42	Ex9CR0911D7	1320884	Ex9CR0922D7	1321064	Ex9CR1211D7	1320902	Ex9CR1222D7	1321082
	48	Ex9CR0911E7	1320885	Ex9CR0922E7	1321065	Ex9CR1211E7	1320903	Ex9CR1222E7	1321083
	110	Ex9CR0911F7	1320886	Ex9CR0922F7	1321066	Ex9CR1211F7	1320904	Ex9CR1222F7	1321084
	120	Ex9CR0911G7	1320887	Ex9CR0922G7	1321067	Ex9CR1211G7	1320905	Ex9CR1222G7	1321085
	208	Ex9CR0911X7	1320899	Ex9CR0922X7	1321079	Ex9CR1211X7	1320917	Ex9CR1222X7	1321097
	220	Ex9CR0911M7	1320888	Ex9CR0922M7	1321068	Ex9CR1211M7	1320906	Ex9CR1222M7	1321086
	230	Ex9CR0911P7	1320889	Ex9CR0922P7	1321069	Ex9CR1211P7	1320907	Ex9CR1222P7	1321087
	240	Ex9CR0911U7	1320891	Ex9CR0922U7	1321071	Ex9CR1211U7	1320909	Ex9CR1222U7	1321089
	277	Ex9CR0911N7	1320890	Ex9CR0922N7	1321070	Ex9CR1211N7	1320908	Ex9CR1222N7	1321088
	380	Ex9CR0911Q7	1320892	Ex9CR0922Q7	1321072	Ex9CR1211Q7	1320910	Ex9CR1222Q7	1321090
	400	Ex9CR0911V7	1320893	Ex9CR0922V7	1321073	Ex9CR1211V7	1320911	Ex9CR1222V7	1321091
	415	Ex9CR0911Z7	1320894	Ex9CR0922Z7	1321074	Ex9CR1211Z7	1320912	Ex9CR1222Z7	1321092
	440	Ex9CR0911R7	1320895	Ex9CR0922R7	1321075	Ex9CR1211R7	1320913	Ex9CR1222R7	1321093
	480	Ex9CR0911T7	1320896	Ex9CR0922T7	1321076	Ex9CR1211T7	1320914	Ex9CR1222T7	1321094
500	Ex9CR0911S7	1320897	Ex9CR0922S7	1321077	Ex9CR1211S7	1320915	Ex9CR1222S7	1321095	
600	Ex9CR0911Y7	1320898	Ex9CR0922Y7	1321078	Ex9CR1211Y7	1320916	Ex9CR1222Y7	1321096	

IEC Contactors

Ex9CR 18~25 A Standard

- Built-in auxiliary contacts; additional auxiliary contacts are front or side mounted
- Reversing



Certifications
 IEC/EN 60947-1, 60947-4-1
 UL 60947-1, 60947-4-1

CE **UL US LISTED**

Coil Voltage	18 A • 3 Poles				25 A • 3 Poles				
	3NO • 1NO+1NC Auxiliary Contact		3NO • 2NO+2NC Auxiliary Contact		3NO • 1NO+1NC Auxiliary Contact		3NO • 2NO+2NC Auxiliary Contact		
	Product	Part Number	Product	Part Number	Product	Part Number	Product	Part Number	
Vac • 50/60 Hz	24	Ex9CR1811B7	1321607	Ex9CR1822B7	1321625	Ex9CR2511B7	1320918	Ex9CR2522B7	1321098
	36	Ex9CR1811C7	1321608	Ex9CR1822C7	1321626	Ex9CR2511C7	1320919	Ex9CR2522C7	1321099
	42	Ex9CR1811D7	1321609	Ex9CR1822D7	1321627	Ex9CR2511D7	1320920	Ex9CR2522D7	1321100
	48	Ex9CR1811E7	1321610	Ex9CR1822E7	1321628	Ex9CR2511E7	1320921	Ex9CR2522E7	1321101
	110	Ex9CR1811F7	1321611	Ex9CR1822F7	1321629	Ex9CR2511F7	1320922	Ex9CR2522F7	1321102
	120	Ex9CR1811G7	1321612	Ex9CR1822G7	1321630	Ex9CR2511G7	1320923	Ex9CR2522G7	1321103
	208	Ex9CR1811X7	1321624	Ex9CR1822X7	1321642	Ex9CR2511X7	1320935	Ex9CR2522X7	1321115
	220	Ex9CR1811M7	1321613	Ex9CR1822M7	1321631	Ex9CR2511M7	1320924	Ex9CR2522M7	1321104
	230	Ex9CR1811P7	1321614	Ex9CR1822P7	1321632	Ex9CR2511P7	1320925	Ex9CR2522P7	1321105
	240	Ex9CR1811U7	1321616	Ex9CR1822U7	1321634	Ex9CR2511U7	1320927	Ex9CR2522U7	1321107
	277	Ex9CR1811N7	1321615	Ex9CR1822N7	1321633	Ex9CR2511N7	1320926	Ex9CR2522N7	1321106
	380	Ex9CR1811Q7	1321617	Ex9CR1822Q7	1321635	Ex9CR2511Q7	1320928	Ex9CR2522Q7	1321108
	400	Ex9CR1811V7	1321618	Ex9CR1822V7	1321636	Ex9CR2511V7	1320929	Ex9CR2522V7	1321109
	415	Ex9CR1811Z7	1321619	Ex9CR1822Z7	1321637	Ex9CR2511Z7	1320930	Ex9CR2522Z7	1321110
	440	Ex9CR1811R7	1321620	Ex9CR1822R7	1321638	Ex9CR2511R7	1320931	Ex9CR2522R7	1321111
	480	Ex9CR1811T7	1321621	Ex9CR1822T7	1321639	Ex9CR2511T7	1320932	Ex9CR2522T7	1321112
500	Ex9CR1811S7	1321622	Ex9CR1822S7	1321640	Ex9CR2511S7	1320933	Ex9CR2522S7	1321113	
600	Ex9CR1811Y7	1321623	Ex9CR1822Y7	1321641	Ex9CR2511Y7	1320934	Ex9CR2522Y7	1321114	

IEC Contactors

Ex9CR 32~38 A Standard

- Built-in auxiliary contacts; additional auxiliary contacts are front or side mounted
- Reversing



Certifications
 IEC/EN 60947-1, 60947-4-1
 UL 60947-1, 60947-4-1

CE cUL US LISTED

A

Coil Voltage	32 A • 3 Poles				38 A • 3 Poles				
	3NO • 1NO+1NC Auxiliary Contact		3NO • 2NO+2NC Auxiliary Contact		3NO • 1NO+1NC Auxiliary Contact		3NO • 2NO+2NC Auxiliary Contact		
	Product	Part Number	Product	Part Number	Product	Part Number	Product	Part Number	
Vac • 50/60 Hz	24	Ex9CR3211B7	1320936	Ex9CR3222B7	1321116	Ex9CR3811B7	1320954	Ex9CR3822B7	1321134
	36	Ex9CR3211C7	1320937	Ex9CR3222C7	1321117	Ex9CR3811C7	1320955	Ex9CR3822C7	1321135
	42	Ex9CR3211D7	1320938	Ex9CR3222D7	1321118	Ex9CR3811D7	1320956	Ex9CR3822D7	1321136
	48	Ex9CR3211E7	1320939	Ex9CR3222E7	1321119	Ex9CR3811E7	1320957	Ex9CR3822E7	1321137
	110	Ex9CR3211F7	1320940	Ex9CR3222F7	1321120	Ex9CR3811F7	1320958	Ex9CR3822F7	1321138
	120	Ex9CR3211G7	1320941	Ex9CR3222G7	1321121	Ex9CR3811G7	1320959	Ex9CR3822G7	1321139
	208	Ex9CR3211X7	1320953	Ex9CR3222X7	1321133	Ex9CR3811X7	1320971	Ex9CR3822X7	1321151
	220	Ex9CR3211M7	1320942	Ex9CR3222M7	1321122	Ex9CR3811M7	1320960	Ex9CR3822M7	1321140
	230	Ex9CR3211P7	1320943	Ex9CR3222P7	1321123	Ex9CR3811P7	1320961	Ex9CR3822P7	1321141
	240	Ex9CR3211U7	1320945	Ex9CR3222U7	1321125	Ex9CR3811U7	1320963	Ex9CR3822U7	1321143
	277	Ex9CR3211N7	1320944	Ex9CR3222N7	1321124	Ex9CR3811N7	1320962	Ex9CR3822N7	1321142
	380	Ex9CR3211Q7	1320946	Ex9CR3222Q7	1321126	Ex9CR3811Q7	1320964	Ex9CR3822Q7	1321144
	400	Ex9CR3211V7	1320947	Ex9CR3222V7	1321127	Ex9CR3811V7	1320965	Ex9CR3822V7	1321145
	415	Ex9CR3211Z7	1320948	Ex9CR3222Z7	1321128	Ex9CR3811Z7	1320966	Ex9CR3822Z7	1321146
	440	Ex9CR3211R7	1320949	Ex9CR3222R7	1321129	Ex9CR3811R7	1320967	Ex9CR3822R7	1321147
480	Ex9CR3211T7	1320950	Ex9CR3222T7	1321130	Ex9CR3811T7	1320968	Ex9CR3822T7	1321148	
500	Ex9CR3211S7	1320951	Ex9CR3222S7	1321131	Ex9CR3811S7	1320969	Ex9CR3822S7	1321149	
600	Ex9CR3211Y7	1320952	Ex9CR3222Y7	1321132	Ex9CR3811Y7	1320970	Ex9CR3822Y7	1321150	

IEC Contactors

Ex9CR 40~100 A Standard

- Built-in side auxiliary contacts; additional auxiliary contacts are front or side mounted
- Reversing



Certifications
 IEC/EN 60947-1, 60947-4-1
 UL 60947-1, 60947-4-1

CE **UL US LISTED**

Coil Voltage	40 A • 3 Poles		50 A • 3 Poles		65 A • 3 Poles		80 A • 3 Poles		100 A • 3 Poles	
	3NO • 1NO+1NC Auxiliary Contact		3NO • 1NO+1NC Auxiliary Contact		3NO • 1NO+1NC Auxiliary Contact		3NO • 1NO+1NC Auxiliary Contact		3NO • 1NO+1NC Auxiliary Contact	
	Product	Part Number	Product	Part Number	Product	Part Number	Product	Part Number	Product	Part Number
Vac • 50/60 Hz	24	Ex9CR4011B7 1320972	Ex9CR5011B7 1320990	Ex9CR6511B7 1321008	Ex9CR8011B7 1321026	Ex9CR10011B7 1321044				
	36	Ex9CR4011C7 1320973	Ex9CR5011C7 1320991	Ex9CR6511C7 1321009	Ex9CR8011C7 1321027	Ex9CR10011C7 1321045				
	42	Ex9CR4011D7 1320974	Ex9CR5011D7 1320992	Ex9CR6511D7 1321010	Ex9CR8011D7 1321028	Ex9CR10011D7 1321046				
	48	Ex9CR4011E7 1320975	Ex9CR5011E7 1320993	Ex9CR6511E7 1321011	Ex9CR8011E7 1321029	Ex9CR10011E7 1321047				
	110	Ex9CR4011F7 1320976	Ex9CR5011F7 1320994	Ex9CR6511F7 1321012	Ex9CR8011F7 1321030	Ex9CR10011F7 1321048				
	120	Ex9CR4011G7 1320977	Ex9CR5011G7 1320995	Ex9CR6511G7 1321013	Ex9CR8011G7 1321031	Ex9CR10011G7 1321049				
	208	Ex9CR4011X7 1320989	Ex9CR5011X7 1321007	Ex9CR6511X7 1321025	Ex9CR8011X7 1321043	Ex9CR10011X7 1321061				
	220	Ex9CR4011M7 1320978	Ex9CR5011M7 1320996	Ex9CR6511M7 1321014	Ex9CR8011M7 1321032	Ex9CR10011M7 1321050				
	230	Ex9CR4011P7 1320979	Ex9CR5011P7 1320997	Ex9CR6511P7 1321015	Ex9CR8011P7 1321033	Ex9CR10011P7 1321051				
	240	Ex9CR4011U7 1320981	Ex9CR5011U7 1320999	Ex9CR6511U7 1321017	Ex9CR8011U7 1321035	Ex9CR10011U7 1321053				
	277	Ex9CR4011N7 1320980	Ex9CR5011N7 1320998	Ex9CR6511N7 1321016	Ex9CR8011N7 1321034	Ex9CR10011N7 1321052				
	380	Ex9CR4011Q7 1320982	Ex9CR5011Q7 1321000	Ex9CR6511Q7 1321018	Ex9CR8011Q7 1321036	Ex9CR10011Q7 1321054				
	400	Ex9CR4011V7 1320983	Ex9CR5011V7 1321001	Ex9CR6511V7 1321019	Ex9CR8011V7 1321037	Ex9CR10011V7 1321055				
	415	Ex9CR4011Z7 1320984	Ex9CR5011Z7 1321002	Ex9CR6511Z7 1321020	Ex9CR8011Z7 1321038	Ex9CR10011Z7 1321056				
	440	Ex9CR4011R7 1320985	Ex9CR5011R7 1321003	Ex9CR6511R7 1321021	Ex9CR8011R7 1321039	Ex9CR10011R7 1321057				
	480	Ex9CR4011T7 1320986	Ex9CR5011T7 1321004	Ex9CR6511T7 1321022	Ex9CR8011T7 1321040	Ex9CR10011T7 1321058				
500	Ex9CR4011S7 1320987	Ex9CR5011S7 1321005	Ex9CR6511S7 1321023	Ex9CR8011S7 1321041	Ex9CR10011S7 1321059					
600	Ex9CR4011Y7 1320988	Ex9CR5011Y7 1321006	Ex9CR6511Y7 1321024	Ex9CR8011Y7 1321042	Ex9CR10011Y7 1321060					

IEC Contactors

Ex9CR 115~225 A Standard

- Built-in side auxiliary contacts; additional auxiliary contacts are front or side mounted
- Reversing



Certifications

IEC/EN 60947-1, 60947-4-1
UL 60947-1, 60947-4-1



A

Coil Voltage	115 A • 3 Poles			150 A • 3 Poles			185 A • 3 Poles			225 A • 3 Poles		
	3NO • 2NO+2NC Auxiliary Contact			3NO • 2NO+2NC Auxiliary Contact			3NO • 2NO+2NC Auxiliary Contact			3NO • 2NO+2NC Auxiliary Contact		
	Product	Part Number		Product	Part Number		Product	Part Number		Product	Part Number	
Vac/dc	24	Ex9CR115E22B	1321458	Ex9CR150E22B	1321473		Ex9CR185E22B	1321488		Ex9CR225E22B	1321503	
	36	Ex9CR115E22C	1321459	Ex9CR150E22C	1321474		Ex9CR185E22C	1321489		Ex9CR225E22C	1321504	
	42	Ex9CR115E22D	1321460	Ex9CR150E22D	1321475		Ex9CR185E22D	1321490		Ex9CR225E22D	1321505	
	48	Ex9CR115E22E	1321461	Ex9CR150E22E	1321476		Ex9CR185E22E	1321491		Ex9CR225E22E	1321506	
	110	Ex9CR115E22F	1321462	Ex9CR150E22F	1321477		Ex9CR185E22F	1321492		Ex9CR225E22F	1321507	
	120	Ex9CR115E22G	1321463	Ex9CR150E22G	1321478		Ex9CR185E22G	1321493		Ex9CR225E22G	1321508	
	208	Ex9CR115E22X	1321466	Ex9CR150E22X	1321481		Ex9CR185E22X	1321496		Ex9CR225E22X	1321511	
	220	Ex9CR115E22M	1321464	Ex9CR150E22M	1321479		Ex9CR185E22M	1321494		Ex9CR225E22M	1321509	
	230	Ex9CR115E22P	1321465	Ex9CR150E22P	1321480		Ex9CR185E22P	1321495		Ex9CR225E22P	1321510	
	240	Ex9CR115E22U	1321467	Ex9CR150E22U	1321482		Ex9CR185E22U	1321497		Ex9CR225E22U	1321512	
	277	Ex9CR115E22N	1321470	Ex9CR150E22N	1321647		Ex9CR185E22N	1321500		Ex9CR225E22N	1321648	
	380	Ex9CR115E22Q	1321468	Ex9CR150E22Q	1321483		Ex9CR185E22Q	1321498		Ex9CR225E22Q	1321513	
	400	Ex9CR115E22V	1321469	Ex9CR150E22V	1321484		Ex9CR185E22V	1321499		Ex9CR225E22V	1321514	
	415	Ex9CR115E22Z	1321652	Ex9CR150E22Z	1321485		Ex9CR185E22Z	1321656		ExCR225E22Z	1321515	
480	Ex9CR115E22T	1321471	Ex9CR150E22T	1321486		Ex9CR185E22T	1321501		Ex9CR225E22T	1321516		
600	Ex9CR115E22Y	1321472	Ex9CR150E22Y	1321487		Ex9CR185E22Y	1321502		Ex9CR225E22Y	1321517		
Wide Range Electronic Coil Vac/dc	48~130	Ex9CR115F22H	1321576	Ex9CR150F22H	1321579		Ex9CR185F22H	1321582		Ex9CR225F22H	1321585	
	100~250	Ex9CR115F22K	1321577	Ex9CR150F22K	1321580		Ex9CR185F22K	1321583		Ex9CR225F22K	1321586	
	250~500	Ex9CR115F22L	1321578	Ex9CR150F22L	1321581		Ex9CR185F22L	1321584		Ex9CR225F22L	1321587	

IEC Contactors

Ex9CR 265~500 A Standard

- Built-in side auxiliary contacts; additional auxiliary contacts are front or side mounted
- Reversing



Certifications
 IEC/EN 60947-1, 60947-4-1
 UL 60947-1, 60947-4-1

CE **UL US LISTED**

Coil Voltage	265 A • 3 Poles				300 A • 3 Poles		400 A • 3 Poles		500 A • 3 Poles	
	3NO • 2NO+2NC Auxiliary Contact				3NO • 2NO+2NC Auxiliary Contact		3NO • 2NO+2NC Auxiliary Contact		3NO • 2NO+2NC Auxiliary Contact	
	Product	Part Number	Product	Part Number	Product	Part Number	Product	Part Number		
Vac/dc	24	Ex9CR265E22B	1321518	Ex9CR300E22B	1321533	-	-	-	-	
	36	Ex9CR265E22C	1321519	Ex9CR300E22C	1321534	Ex9CR400E22C	1321548	Ex9CR500E22C	1321562	
	42	Ex9CR265E22D	1321520	Ex9CR300E22D	1321535	Ex9CR400E22D	1321549	Ex9CR500E22D	1321563	
	48	Ex9CR265E22E	1321521	Ex9CR300E22E	1321536	Ex9CR400E22E	1321550	Ex9CR500E22E	1321564	
	110	Ex9CR265E22F	1321522	Ex9CR300E22F	1321537	Ex9CR400E22F	1321551	Ex9CR500E22F	1321565	
	120	Ex9CR265E22G	1321523	Ex9CR300E22G	1321538	Ex9CR400E22G	1321552	Ex9CR500E22G	1321566	
	208	Ex9CR265E22X	1321526	Ex9CR300E22X	1321541	Ex9CR400E22X	1321555	Ex9CR500E22X	1321569	
	220	Ex9CR265E22M	1321524	Ex9CR300E22M	1321539	Ex9CR400E22M	1321553	Ex9CR500E22M	1321567	
	230	Ex9CR265E22P	1321525	Ex9CR300E22P	1321540	Ex9CR400E22P	1321554	Ex9CR500E22P	1321568	
	240	Ex9CR265E22U	1321527	Ex9CR300E22U	1321542	Ex9CR400E22U	1321556	Ex9CR500E22U	1321570	
	277	Ex9CR265E22N	1321530	Ex9CR300E22N	1321649	Ex9CR400E22N	1321559	Ex9CR500E22N	1321650	
	380	Ex9CR265E22Q	1321528	Ex9CR300E22Q	1321543	Ex9CR400E22Q	1321557	Ex9CR500E22Q	1321571	
	400	Ex9CR265E22V	1321529	Ex9CR300E22V	1321544	Ex9CR400E22V	1321558	Ex9CR500E22V	1321572	
	415	Ex9CR265E22Z	1321657	Ex9CR300E22Z	1321545	Ex9CR400E22Z	1321658	Ex9CR500E22Z	1321573	
	480	Ex9CR265E22T	1321531	Ex9CR300E22T	1321546	Ex9CR400E22T	1321560	Ex9CR500E22T	1321574	
	600	Ex9CR265E22Y	1321532	Ex9CR300E22Y	1321547	Ex9CR400E22Y	1321561	Ex9CR500E22Y	1321575	
Wide Range Electronic Coil Vac/dc	48~130	Ex9CR265F22H	1321588	Ex9CR300F22H	1321591	Ex9CR400F22H	1321594	Ex9CR500F22H	1321597	
	100~250	Ex9CR265F22K	1321589	Ex9CR300F22K	1321592	Ex9CR400F22K	1321595	Ex9CR500F22K	1321598	
	250~500	Ex9CR265F22L	1321590	Ex9CR300F22L	1321593	Ex9CR400F22L	1321596	Ex9CR500F22L	1321599	

IEC Contactors

Ex9CS/C Specifications

	Ex9CS/CSR			Ex9C/CR																						
	6	9	12	9	12	18	25	32	38	40	50															
General Information																										
Pole	3, 4			3																						
Production Standard	IEC 60947-1, IEC 60947-4-1, UL 60947-1, UL 60947-4-1																									
Environmental Testing According to	IEC 60068-2-1, IEC 60068-2-2, IEC 60068-2-11, IEC 60068-2-30																									
Rated Frequency (Hz)	50/60																									
Conventional Free Air Thermal Current I _{th} (A)	θ≤104 °F (θ≤40 °C)		20		25		32		40		50		60		80											
	θ≤140 °F (θ≤60 °C)																									
	θ≤158 °F (θ≤70 °C)		16		19		24		30		38		45		60											
Rated Insulating Voltage U _i (V)	690											1,000														
Rated Impulse Withstand Voltage U _{imp} (kV)	6											8														
Electrical Life (x10 ⁴ cycles)	AC-3		380/400 V		120																					
	AC-4				6		5		4		5		4		3.5		3									
Mechanical Life (x10 ⁴ cycles)	1,000																									
Operating Cycles Per Hour (cycles/h)	AC-3				1,200				1,000																	
	AC-4				300				150				120													
Environmental Temperature	Transportation or Storage		-76°F to 176°F (-60°C to +80°C)																							
	Working At		-4°F to 140°F (-20°C to +60°C)																							
	Maximum		-40°F to 158°F (-40°C to +70°C)																							
Altitude ft (m)	6,562 (2,000)																									
Pollution Degree	Class III																									
Rated Operational Current I_e (A)																										
At -82 to 131 °F (-25 to 40 °C)	AC-1		690 V		20		25		32		40		50		60		80									
	AC-3		380/400 V		6		9		12		9		12		18		25		32		38		40		50	
	AC-3		660/690 V		3.8		4.9		6.7		9		10.6		17.3		21.9		34		39					
	AC-4		380/400 V		6		9		12		9		12		18		25		32		40		50			
	AC-4		660/690 V		3.8		4.9		6.7		9		10.6		14		17.3		34		39					
Rated Power of 3-Phase Motor																										
For IEC (kW)	AC-3		230 Vac		1.5		2.2		3		2.2		3		4		5.5		7.5		9		11		15	
	AC-4																									
	AC-3		380/400 Vac		2.2		4		5.5		4		5.5		7.5		11		15		18.5		22			
	AC-4																									
	AC-3		660/690 Vac		3		4		5.5		7.5		10		15		18.5		30		33					
	AC-4								5.5		7.5		11		15											
	AC-3		1,000 Vac		-																					
AC-4																										
UL Rating																										
Single-Phase (HP)	110-120 Vac		0.5		0.75		0.5		1		1.5		2		3		5									
	220-240 Vac		1		1.5		2		1.5		2		3		5		7.5		10							
Three-Phase (HP)	200-208 Vac		1.5		3		3		5		7.5		10		10		15									
	220-240 Vac		2												15		20									
	440-480 Vac		3		5		7.5		5		7.5		10		15		20		30		40					
	550-600 Vac		5		7.5		10		7.5		10		15		20		25									
Coil Voltage (V)	24~500Vac, 12~250Vdc											24~600Vac, 24~250Vac/dc														

A

IEC Contactors Ex9C Specifications

		Ex9C/CR										
		65	80	100	115	150	185	225	265	300	400	500
General Information												
Pole		3										
Production Standard		IEC 60947-1, IEC 60947-4-1, UL 60947-1, UL 60947-4-1										
Environmental Testing According to		IEC 60068-2-1, IEC 600682-2, IEC 60068-2-11, IEC 60068-2-30										
Rated Frequency (Hz)		50/60										
Conventional Free Air Thermal Current Ith (A)	$\theta \leq 104^\circ\text{F}$ ($\theta \leq 40^\circ\text{C}$)	80	125	160	185	215	275	330	400	500	610	
	$\theta \leq 140^\circ\text{F}$ ($\theta \leq 60^\circ\text{C}$)				170	200	260	300	360	430	550	
	$\theta \leq 158^\circ\text{F}$ ($\theta \leq 70^\circ\text{C}$)	60	94	140	160	180	206	260	300	400	418	
Rated Insulating Voltage Ui (V)		1,000										
Rated Impulse Withstand Voltage Uimp (kV)		8										
Electrical Life (x10 ⁶ cycles)	AC-3 380/400 V	120			100							
	AC-4	3	2.5	20								
Mechanical Life (x10 ⁶ cycles)		1,000			800						500	
Operating Cycles Per Hour (cycles/h)	AC-3	1,000	900		750			500			420	
	AC-4	120			130							
Environmental Temperature	Transportation or Storage	-76°F to 176°F (-60°C to +80°C)										
	Working At	-4°F to 140°F (-20°C to +60°C)										
	Maximum	-40°F to 158°F (-40°C to +70°C)										
Altitude ft (m)		6,562 (2,000)										
Pollution Degree		Class III										
Rated Operational Current Ie (A)												
At -82 to 131 °F (-25 to 40 °C)	AC-1 690 V	80	125	160	185	215	275	330	400	500	610	
	AC-3 380/400 V	65	80	100	115	150	185	225	265	300	400	500
	AC-3 660/690 V	42	49				170			280		450
	AC-4 380/400 V	65	80	100			185			300		500
	AC-4 660/690 V	42	49				170			280		450
Rated Power of 3-Phase Motor												
For IEC (kW)	AC-3 230 Vac	18.5	22	25	37	45	55	75	90	132	160	
	AC-4											
	AC-3 380/400 Vac	30	37	45	55	75	90	110	132	160	220	250
	AC-4											
	AC-3 660/690 Vac	37	45		110	132	160	200	250	355	400	
	AC-4											
	AC-3 1,000 Vac	-			75	90	90	132	250	315		
AC-4												
UL Rating												
Ith (A)		80	125	160	185	215	275	330	400	500	610	
Single-Phase (HP)	110-120 Vac	5	7.5	10	15	-						
	220-240 Vac	15	20		25	30	40	-				
Three-Phase (HP)	200-208 Vac	20	30	30	40	50	60	75	100	125	150	
	220-240 Vac	25		40	50	60	75	100	125	150	200	
	440-480 Vac	50	60		100	125	150	200	250	300	400	
	550-600 Vac				125	150	200	250	300	400	500	
Coil Voltage (V)		24~600 Vac			24~600 Vac/dc						36~600 Vac/dc	

IEC Contactors



Ex9C Specifications

A

		Ex9C			
		630	800	1000	
General Information					
Pole		3			
Production Standard		IEC 60947-1, IEC 60947-4-1, UL 60947-1, UL 60947-4-1			
Environmental Testing According to		IEC 60068-2-1, IEC 60068-2-2, IEC 60068-2-11, IEC 60068-2-30			
Rated Frequency (Hz)		50/60			
Conventional Free Air Thermal Current Ith (A)	$\theta \leq 104^\circ\text{F}$ ($\theta \leq 40^\circ\text{C}$)	800	1000	1000	
	$\theta \leq 140^\circ\text{F}$ ($\theta \leq 60^\circ\text{C}$)	720	850	850	
	$\theta \leq 158^\circ\text{F}$ ($\theta \leq 70^\circ\text{C}$)	630	750	750	
Rated Insulating Voltage Ui (V)		1,000			
Rated Impulse Withstand Voltage Uimp (kV)		8			
Electrical Life (x10 ⁴ cycles)	AC-3	80	50		
	AC-4	20			
Mechanical Life (x10 ⁴ cycles)		300			
Operating Cycles Per Hour (cycles/h)	AC-3	300		120	
	AC-4	100			
Environmental Temperature	Transportation or Storage	-76°F to 176°F (-60°C to +80°C)			
	Working At	-4°F to 140°F (-20°C to +60°C)			
	Maximum	-40°F to 158°F (-40°C to +70°C)			
Altitude ft (m)		6,562 (2,000)			
Pollution Degree		Class III			
Rated Operational Current Ie (A)					
At -82 to 131 °F (-25 to 40 °C)	AC-1	690 V	800	1000	1000
	AC-3	380/400 V	630	800	1000
	AC-3	660/690 V	560	650	800
	AC-4	380/400 V	225	242	260
	AC-4	660/690 V	200	215	230
Rated Power of 3-Phase Motor					
For IEC (kW)	AC-3	230 Vac	200	250	315
		AC-4	75		80
	AC-3	380/400 Vac	335	450	560
		AC-4	110	132	150
	AC-3	660/690 Vac	560	630	800
		AC-4	185	200	220
	AC-3	1,000 Vac	400	450	500
		AC-4	150	200	
UL Rating					
Ith (A)		800	1000	1000	
Single-Phase (HP)	110-120 Vac	-			
	220-240 Vac				
Three-Phase (HP)	200-208 Vac	-	-	-	
	220-240 Vac	250	300	350	
	440-480 Vac	500	600	750	
	550-600 Vac	600	700	800	
	Coil Voltage (V)	48 - 480 Vac/dc			



IEC Contactors

Ex9CS/C Specifications

			Ex9CS/CSR			Ex9C/CR							
			6	9	12	9	12	18	25	32	38	40	50
Coil Electrical Parameters													
Tolerance of Control Voltage 50/60 Hz	Operation (Uc)	Standard	0.85~1.10										
	Drop-Off (Uc)		0.20~0.75(AC) ; 0.10~0.75(DC)										
	Operation (Uc)	F-Type	-			0.85Ucmin~1.10Ucmax							
	Drop-Off (Uc)		0.20Ucmax~0.75Ucmin (AC), 0.10Ucmax~0.75Ucmin (DC)										
Coil Power Consumption													
In Rush (VA)	AC		40			80				85			300
	F-Type		-			60				60			100
Power Factor								-					
Sealed (VA)	AC		9			9.5				11.4			34.2
	F-Type		-						5.1				15
Power Factor								-					
Pick-Up (W)	DC		4						7				17
	F-Type		-						35				100
Hold (W)	DC		4						7				17
	F-Type		-						2.5				8
Operating Time (ms)	Operation	Standard	15-40			14-30				18-32			20-30
		F-Type	-					30-90					50~100
	Drop-Off	Standard	8-15			6-20				7-22			8-20
		F-Type				20~110				20~110			20~120
IEC AC Contactor Working at DC Power Data													
	Rated Working Voltage (V)	Poles of Series Connection	Rated Working Current (A)										
Working Type: DC-1, Resistive Load	24	1											
		2											
		3											
Time Data: L/R≤1ms	48/75	1	15			25		32		40		50	60
		2											
		3											
Environmental Temperature: ≤140 °F (≤60 °C)	125	1	4			10		15		20		25	50
		2	15			20		25		32		40	60
		3											
	225	1							1				1.5
		2		4						7			60
		3	15			20		25		32		40	70
IEC AC Contactor Working at DC Power Data													
	Rated Working Voltage (V)	Poles of Series Connection	Rated Working Current (A)										
Working Type: DC-2 to DC-5, Inductive Load	24	1											
		2	15			20		25					
		3							32		40		50
Time Data: L/R≤15ms	48/75	1	5										65
		2											
		3	15			20		25					
Environmental Temperature: ≤140 °F (≤60 °C)	125	1	1.5			2				3			4
		2	11			20		25		32		40	50
		3	15										65
	225	1		0.5						1			1.5
		2	1.5			2				3			4
		3	5			8				32		40	50

IEC Contactors

Ex9C Specifications

			Ex9C/CR										Ex9C				
			65	80	100	115	150	185	225	265	300	400	500	630	800	1000	
Coil Electrical Parameters																	
Tolerance of Control Voltage 50/60 Hz	Operation (Uc)	Standard	0.85~1.10														
	Drop-Off (Uc)		0.20~0.75(AC); 0.10~0.75(DC)														
	Operation (Uc)	F-Type	0.20~0.70					0.85Ucmin~1.10Ucmax									
	Drop-Off (Uc)		0.20Ucmax~0.75Ucmin(AC) ; 0.10Ucmax~0.75Ucmin(DC)														
Coil Power Consumption																	
In Rush (VA)	AC		300	330		400		590		600		850					
	F-Type		100									1000					
Power Factor			0.90-0.95														
Sealed (VA)	AC		34.2	36.6		10		10		10		10					
	F-Type		15			18		18		18		18					
Power Factor			0.90-0.95														
Pick-Up (W)	DC		17			400		590		600		850					
	F-Type		100									1000					
Hold (W)	Standard		17					10				10					
	F-Type		8					5.0				5.0					
Operating Time (ms)	Operation	Standard	20-30	20-35		30-65		45-80		70-90		80~120					
		F-Type	50~100			75-120		90-120		110-120		100-150					
	Drop-Off	Standard	8-20	6-20		45-65		50-70		60-80		85~160					
		F-Type	20~120			45-70		60-80		50-100		85-120					
IEC AC Contactor Working at DC Power Data																	
	Rated Working Voltage (V)	Poles of Series Connection	Rated Working Current (A)														
Working Type: DC-1, Resistive Load	24	1	70	100	160	200	275	330	400	430	500						
		2															
		3															
	48/75	1															
		2															
		3															
Environmental Temperature: ≤140 °F (≤60 °C)	125	1	65	80	100	115	150	200	300	400							
		2	70	100	160	200	275	330	400	430	500						
		3	1.5		3.4			3.8									
	225	1	70	80	100	160	200	300	400								
		2															
		3															
IEC AC Contactor Working at DC Power Data																	
	Rated Working Voltage (V)	Poles of Series Connection	Rated Working Current (A)														
Working Type: DC-2 to DC-5, Inductive Load	24	1	65	100	160	200	300	400									
		2															
		3															
	48/75	1							7.5		11						
		2							160		200	300	400				
		3							160		200	300	400				
Environmental Temperature: ≤140 °F (≤60 °C)	125	1	4	5	2.5		3										
		2	65	80	160	200	300	400									
		3							100								
	225	1	1.5	2	2												
		2	4	5	7.5		11										
		3	65	100	160	200	300	400									

A

IEC Contactors

Ex9CS/C Specifications

		Ex9CS/CSR			Ex9C/CR								
		6	9	12	9	12	18	25	32	38	40	50	
Built-In Auxiliary Contacts													
Auxiliary Contacts		1NO/1NC (3P), None (4P)			1NO+1NC, 2NO+2NC						1NO+1NC		
Rated Operation Voltage U _e (V)		690											
Rated Insulating Voltage U _i (V)		690											
Rated Impulse Withstand Voltage U _{imp} (kV)		6											
Rated Frequency (Hz)		50/60											
Conventional Free Air Thermal Current I _{th} (A)		10											
Rated Operational Current I_e (A)													
AC-15	24 V	-											
	120 V	6											
	230 V	-											
	240 V	3											
	380 V	1.9											
	400 V	-											
	600 V	1.2											
DC-13	125 V	1.1			0.55								
	220 V	-			0.31								
	250 V	0.55			0.27								
Mounting	Screw (mm)	ø4									ø5		
	N rail (mm)	35/7.5									35/7.5 or 75/7.5		
Dimension LxWxH in (mm)	AC	2.28x1.77x2.28 (58x45x58)			3.58x1.77x3.70 (91x45x94)			3.94x1.77x4.25 (100x45x108)			4.80x2.99x4.84 (122x76x123)		
	DC	2.28x1.77x2.68 (58x45x68)											
Weight lb (kg)	AC	0.40 (0.18)			0.77 (0.35)			0.88 (0.40)			2.71 (1.23)		
	DC	0.57 (0.26)											
Degree of Protection		IP 20 (front side)											
Main Power Terminal Connection													
Flexible Cable Without Cold-Press Terminal AWG (mm ²)	Single Cable												
	Dual Cable	18-12* (1-2.5) [†]			18-10* (1.5-6) [†]			14-8* (1.5-10) [†]			14-4* (2.5-25) [†]		
Stiff Cable Without Cold-Press Terminal AWG (mm ²)	Single Cable												
	Dual Cable												
Screw Size ø (mm)		M3			M3.5			M4			M8		
Torque of Terminals in-lb (N.m)		7 (0.80)			15 (1.70)			22 (2.50)			53 (6)		
Bus Bar Terminal Connection													
Bus Bar Size													
Screw Size ø (mm)													
Torque of Terminals in-lb (N.m)													
Auxiliary Contact Terminal Connection													
Flexible Cable Without Cold-Press Terminal AWG (mm ²)	Single Cable												
	Dual Cable												
Stiff Cable With Cold-Press Terminal AWG (mm ²)	Single Cable	18-12* (1-2.5) [†]											
	Dual Cable												
Stiff Cable Without Cold-Press Terminal AWG (mm ²)	Single Cable												
	Dual Cable												
Screw Size ø (mm)		M3			M3.5								
Torque of Terminals in-lb (N.m)		7 (0.80)			15 (1.70)								

* American Wire Gauge

[†] IEC Wire Gauge

IEC Contactors

Ex9C Specifications

		Ex9C/CR											
		65	80	100	115	150	185	225	265	300	400	500	
Built-In Auxiliary Contacts													
Auxiliary Contacts		1NO+1NC					2NO+2NC						
Rated Operation Voltage Ue (V)		690											
Rated Insulating Voltage Ui (V)		6											
Rated Impulse Withstand Voltage Uimp (kV)		50/60											
Rated Frequency (Hz)		10											
Conventional Free Air Thermal Current Ith (A)													
Rated Operational Current Ie (A)													
AC-15	24 V						6						
	120 V	6											
	230 V						3.13						
	240 V						3						
	380 V	1.9											
	400 V						1.8						
	600 V	1.2											
DC-13	125 V						0.55						
	220 V						0.31						
	250 V						0.27						
Mounting	Screw (mm)	ø5			ø8			ø9					
	DIN rail (mm)	35/7.5 or 75/7.5											
Dimension LxWxH in (mm)		4.80x2.99 x4.84 (122x76x123)	5.12x3.43x5.12 (130x87x130)			6.81x4.72x6.85 (173x120x174)			8.35x5.71x8.19 (212x145x208)			8.58x6.30x9.06 (218x160x230)	
Weight lb (kg)		2.71 (1.23)		3.31 (1.50)		6.61 (3)			13.23 (6)			20.94 (9.5)	
Degree of Protection		IP 20					IP 20 (Control Circuit Terminal) ; IP 00(Main Circuit Terminal)						
Main Power Terminal Connection													
Flexible Cable Without Cold-Press Terminal AWG (mm ²)	Single Cable			12-1/0 (2.5-50)					(1x) 1/0 - (2x) 500 MCM (218x160x230)				
	Dual Cable	14-4*		12-1 (2.5-42.5)		(1x) 4 - (2x) 250 MCM ((1x) 25 - (2x) 120)							
Stiff Cable Without Cold-Press Terminal AWG (mm ²)	Single Cable	(2.5-25)†		12-1/0 (2.5-50)					(1x) 50 - (2x) 240				
	Dual Cable			12-1 (2.5-42.5)									
Screw Size ø (mm)		M8											
Torque of Terminals in-lb (N.m)		53 (6)		79 (9)		159 (18)			310 (35)				
Bus Bar Terminal Connection													
Bus Bar Size							2x0.75x0.25 (2x20x5)		2x1x0.25 (2x30x5)		2x1.25x0.25 (2x40x5)		
Screw Size ø (mm)							M8		M10				
Torque of Terminals in-lb (N.m)							159 (18)		310 (35)				
Auxiliary Contact Terminal Connection													
Flexible Cable Without Cold-Press Terminal AWG (mm ²)	Single Cable												
	Dual Cable												
Stiff Cable With Cold-Press Terminal AWG (mm ²)	Single Cable	18-12*											
	Dual Cable	(1-2.5)†											
Stiff Cable Without Cold-Press Terminal AWG (mm ²)	Single Cable												
	Dual Cable												
Screw Size ø (mm)		M3.5											
Torque of Terminals in-lb (N.m)		15 (1.70)											

A

* American Wire Gauge
† IEC Wire Gauge

IEC Contactors

Ex9C Specifications

		Ex9C		
		630	800	1000
Built-In Auxiliary Contacts				
Auxiliary Contacts		2NO+2NC		
Rated Operation Voltage U _e (V)		690		
Rated Insulating Voltage U _i (V)		690		
Rated Impulse Withstand Voltage U _{imp} (kV)		6		
Rated Frequency (Hz)		50/60		
Conventional Free Air Thermal Current I _{th} (A)		10		
Rated Operational Current I_e (A)				
AC-15	24 V	6		
	120 V	-		
	230 V	3.13		
	240 V	3		
	380 V	-		
	400 V	1.8		
	600 V	-		
DC-13	690 V	1.04		
	125 V	0.55		
	220 V	0.31		
Mounting	250 V	0.27		
	Screw (mm)	11.5		
	DIN rail (mm)	-		
Dimension LxWxH in (mm)		11.73x9.06x10.47 (298x230x262)	12.68x9.06x10.47 (322x230x262)	
Weight lb (kg)		44.53(20.2)	48.5(22)	49.16(22.3)
Degree of Protection		IP 20 (Control Circuit Terminal) IP 00 Main Circuit Terminal		
Main Power Terminal Connection				
Flexible Cable Without Cold-Press Terminal AWG (mm ²)	Single Cable	LTC25NB 250~600 LTC25NC 4/0~500	LTC26NC 3/0~750 LTC26ND 3/0~500	
	Dual Cable			
Stiff Cable Without Cold-Press Terminal AWG (mm ²)	Single Cable			
	Dual Cable			
Screw Size ø (mm)		M12	4*M10	
Torque of Terminals in-lb (N.m)		310(45)	310(35)	
Auxiliary Contact Terminal Connection				
Flexible Cable Without Cold-Press Terminal AWG (mm ²)	Single Cable	18-12* (1-2.5) †		
	Dual Cable			
Stiff Cable With Cold-Press Terminal AWG (mm ²)	Single Cable			
	Dual Cable			
Stiff Cable Without Cold-Press Terminal AWG (mm ²)	Single Cable			
	Dual Cable			
Screw Size ø (mm)		M3.5		
Torque of Terminals in-lb (N.m)		15 (1.70)		

* American Wire Gauge

† IEC Wire Gauge

IEC Contactors

Ex9C Specifications

Type C

			Voltage / V							
			200		240		480		600	
MC*	CB	OLR**	HP	Sccr(kA)	HP	Sccr(kA)	HP	Sccr(kA)	HP	Sccr(kA)
Ex9C09...	M1N15T3L	Ex9R38B.../Ex9RE40...	3	65	3	65	5	65	7.5	20
	M1H15T3L	Ex9R38B.../Ex9RE40...	3	100	3	100	5	100	7.5	25
Ex9C12...	M1N15T3L	Ex9R38B.../Ex9RE40...	3	65	3	65	7.5	65	10	20
	M1H15T3L	Ex9R38B.../Ex9RE40...	3	100	3	100	7.5	100	10	25
Ex9C18...	M1N30T3L	Ex9R38B.../Ex9RE40...	5	65	5	65	10	65	15	20
	M1H30T3L	Ex9R38B.../Ex9RE40...	5	100	5	100	10	100	15	25
Ex9C25...	M1N30T3L	Ex9R38B.../Ex9RE40...	-	-	7.5	65	15	65	20	20
	M1H30T3L	Ex9R38B.../Ex9RE40...	-	-	7.5	100	15	100	20	25
	M1N50T3L	Ex9R38B.../Ex9RE40...	7.5	65	-	-	-	-	-	-
	M1H50T3L	Ex9R38B.../Ex9RE40...	7.5	100	-	-	-	-	-	-
Ex9C32...	M1N50T3L	Ex9R38B.../Ex9RE40...	10	65	10	65	20	65	25	20
	M1H50T3L	Ex9R38B.../Ex9RE40...	10	100	10	100	20	100	25	25
Ex9C38...	M1N50T3L	Ex9R38B.../Ex9RE40...	10	65	10	65	20	65	25	20
	M1H50T3L	Ex9R38B.../Ex9RE40...	10	100	10	100	20	100	25	25
Ex9C40...	M1N70T3L	Ex9R100B...	10	65	15	65	30	65	30	20
	M1H70T3L	Ex9R100B...	10	100	15	100	30	100	30	25
Ex9C50...	M1N70T3L	Ex9R100B...	15	65	20	65	40	65	40	20
	M1H70T3L	Ex9R100B...	15	100	20	100	40	100	40	25
Ex9C65...	M1N70T3L	Ex9R100B...	-	-	-	-	-	-	50	20
	M1H70T3L	Ex9R100B...	-	-	-	-	-	-	50	25
	M1N100T3L	Ex9R100B...	20	65	25	65	50	65	-	-
	M1H100T3L	Ex9R100B...	20	100	25	100	50	100	-	-
Ex9C80...	M1N100T3L	Ex9R100B...	-	-	30	65	60	65	60	20
	M1H100T3L	Ex9R100B...	-	-	30	100	60	100	60	25
	M1N150T3L	Ex9R100B...	30	65	-	-	-	-	-	-
	M1H150T3L	Ex9R100B...	30	100	-	-	-	-	-	-
Ex9C100...	M1N100T3L	Ex9R100B...	-	-	-	-	60	65	60	20
	M1H100T3L	Ex9R100B...	-	-	-	-	60	100	60	25
	M1N150T3L	Ex9R100B...	30	100	40	65	-	-	-	-
	M1H150T3L	Ex9R100B...	-	-	40	100	-	-	-	-

A

* More information about MC (Motor Contactor), Please refer to Product Selection Guide in Chapter A (Ex9C series).

**More information about OLR (Overload Relay), Please refer to Product Selection Guide in Chapter B (Ex9R series).

IEC Contactors Ex9C Specifications

Type C

			Voltage / V							
			200		240		480		600	
MC*	CB	OLR**	HP	Sccr(kA)	HP	Sccr(kA)	HP	Sccr(kA)	HP	Sccr(kA)
Ex9C115...	M2N200T3L	Ex9R185B...	40	65	50	65	100	65	125	20
	M2H200T3L	Ex9R185B...	40	100	50	100	100	100	125	25
Ex9C150...	M2N200T3L	Ex9R185B...	50	65	60	65	125	65	150	20
	M2H200T3L	Ex9R185B...	50	100	60	100	125	100	150	25
Ex9C185...	M2N250T3L	Ex9R185B...	60	65	75	65	150	65	200	20
	M2H250T3L	Ex9R185B...	60	100	75	100	150	100	200	25
Ex9C225...	M2N250T3L	Ex9R500B...	60	65	75	65	150	65	200	20
	M2H250T3L	Ex9R500B...	60	100	75	100	150	100	200	25
Ex9C265...	M3N400T3L	Ex9R500B...	75	65	100	65	200	65	250	25
	M3H400T3L	Ex9R500B...	75	100	100	100	200	100	250	30
Ex9C300...	M3N400T3L	Ex9R500B...	100	65	125	65	250	65	300	25
	M3H400T3L	Ex9R500B...	100	100	125	100	250	100	300	30
Ex9C400...	M4N500T3L	Ex9R500B...	125	65	150	65	300	65	400	30
	M4H500T3L	Ex9R500B...	125	100	150	100	300	100	400	50
Ex9C500...	M4N600T3L	Ex9R500B...	150	65	200	65	400	65	500	30
	M4H600T3L	Ex9R500B...	150	100	200	100	400	100	500	50

* More information about MC (Motor Contactor), Please refer to Product Selection Guide in Chapter A (Ex9C series).

**More information about OLR (Overload Relay), Please refer to Product Selection Guide in Chapter B (Ex9R series).

IEC Contactors

Ex9C Specifications

Type D

			Voltage / V								A
			200		240		480		600		
MC*	ICB	OLR**	HP	Sccr(kA)	HP	Sccr(kA)	HP	Sccr(kA)	HP	Sccr(kA)	
Ex9C09...	M1MN3T3L	Ex9R38B.../Ex9RE40...	3	65	3	65	5	65	7.5	20	
	M1MH3T3L	Ex9R38B.../Ex9RE40...	3	100	3	100	5	100	7.5	25	
	M1MN7T3L	Ex9R38B.../Ex9RE40...	3	65	3	65	5	65	7.5	20	
	M1MH7T3L	Ex9R38B.../Ex9RE40...	3	100	3	100	5	100	7.5	25	
	M1MN15T3L	Ex9R38B.../Ex9RE40...	3	65	3	65	5	65	7.5	20	
	M1MH15T3L	Ex9R38B.../Ex9RE40...	3	100	3	100	5	100	7.5	25	
Ex9C12...	M1MN15T3L	Ex9R38B.../Ex9RE40...	3	65	3	65	7.5	65	10	20	
	M1MH15T3L	Ex9R38B.../Ex9RE40...	3	100	3	100	7.5	100	10	25	
Ex9C18...	M1MN30T3L	Ex9R38B.../Ex9RE40...	5	65	5	65	10	65	15	20	
	M1MH30T3L	Ex9R38B.../Ex9RE40...	5	100	5	100	10	100	15	25	
Ex9C25...	M1MN30T3L	Ex9R38B.../Ex9RE40...	-	-	7.5	65	15	65	20	20	
	M1MH30T3L	Ex9R38B.../Ex9RE40...	-	-	7.5	100	15	100	20	25	
	M1MN50T3L	Ex9R38B.../Ex9RE40...	7.5	65	-	-	-	-	-	-	
	M1MH50T3L	Ex9R38B.../Ex9RE40...	7.5	100	-	-	-	-	-	-	
Ex9C32...	M1MN50T3L	Ex9R38B.../Ex9RE40...	10	65	10	65	20	65	25	20	
	M1MH50T3L	Ex9R38B.../Ex9RE40...	10	100	10	100	20	100	25	25	
Ex9C38...	M1MN50T3L	Ex9R38B.../Ex9RE40...	10	65	10	65	20	65	25	20	
	M1MH50T3L	Ex9R38B.../Ex9RE40...	10	100	10	100	20	100	25	25	
Ex9C40...	M1MN70T3L	Ex9R100B...	10	65	15	65	30	65	30	20	
	M1MH70T3L	Ex9R100B...	10	100	15	100	30	100	30	25	
Ex9C50...	M1MN70T3L	Ex9R100B...	15	65	20	65	40	65	40	20	
	M1MH70T3L	Ex9R100B...	15	100	20	100	40	100	40	25	
Ex9C65...	M1MN70T3L	Ex9R100B...	-	-	-	-	-	-	50	20	
	M1MH70T3L	Ex9R100B...	-	-	-	-	-	-	50	25	
	M1MN100T3L	Ex9R100B...	20	65	25	65	50	65	-	-	
	M1MH100T3L	Ex9R100B...	20	100	25	100	50	100	-	-	
Ex9C80...	M1MN100T3L	Ex9R100B...	-	-	30	65	60	65	60	20	
	M1MH100T3L	Ex9R100B...	-	-	30	100	60	100	60	25	
	M1MN150T3L	Ex9R100B...	30	65	-	-	-	-	-	-	
	M1MH150T3L	Ex9R100B...	30	100	-	-	-	-	-	-	
Ex9C100...	M1MN100T3L	Ex9R100B...	-	-	-	-	60	65	60	20	
	M1MH100T3L	Ex9R100B...	-	-	-	-	60	100	60	25	
	M1MN150T3L	Ex9R100B...	30	65	40	65	-	-	-	-	
	M1MH150T3L	Ex9R100B...	30	100	40	100	-	-	-	-	

* More information about MC (Motor Contactor), Please refer to Product Selection Guide in Chapter A (Ex9C series).

**More information about OLR (Overload Relay), Please refer to Product Selection Guide in Chapter B (Ex9R series).

IEC Contactors Ex9C Specifications

Type D

			Voltage / V							
			200		240		480		600	
MC*	ICB	OLR**	HP	Scrr(kA)	HP	Scrr(kA)	HP	Scrr(kA)	HP	Scrr(kA)
Ex9C115...	M2MN250T3L	Ex9R185B...	40	65	50	65	100	65	125	20
	M2MH250T3L	Ex9R185B...	40	100	50	100	100	100	125	25
Ex9C150...	M2MN250T3L	Ex9R185B...	50	65	60	65	125	65	150	20
	M2MH250T3L	Ex9R185B...	50	100	60	100	125	100	150	25
Ex9C185...	M2MN250T3L	Ex9R185B...	60	65	75	65	150	65	200	20
	M2MH250T3L	Ex9R185B...	60	100	75	100	150	100	200	25
Ex9C225...	M2MN250T3L	Ex9R500B...	60	65	75	65	150	65	200	20
	M2MH250T3L	Ex9R500B...	60	100	75	100	150	100	200	25
Ex9C265...	M3MN400T3L	Ex9R500B...	75	65	100	65	200	65	250	25
	M3MH400T3L	Ex9R500B...	75	100	100	100	200	100	250	30
Ex9C300...	M3MN400T3L	Ex9R500B...	100	65	125	65	250	65	300	25
	M3MH400T3L	Ex9R500B...	100	100	125	100	250	100	300	30
Ex9C400...	M4MN600T3L	Ex9R500B...	125	65	150	65	300	65	400	30
	M4MH600T3L	Ex9R500B...	125	100	150	100	300	100	400	50
Ex9C500...	M4MN600T3L	Ex9R500B...	150	65	200	65	400	65	500	30
	M4MH600T3L	Ex9R500B...	150	100	200	100	400	100	500	50

* More information about MC (Motor Contactor), Please refer to Product Selection Guide in Chapter A (Ex9C series).

**More information about OLR (Overload Relay), Please refer to Product Selection Guide in Chapter B (Ex9R series).

SCCR Rating

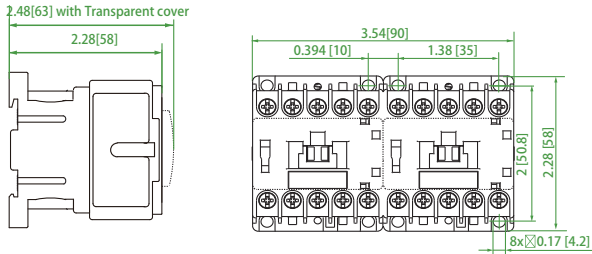
Product	kA (600Vac)	Fuse class	Max. upstream fuse ampere rating
Ex9C115	100	J	400
Ex9C185	100	J	400
Ex9C225	100	J	500

IEC Contactors

Ex9CS/C Dimensions

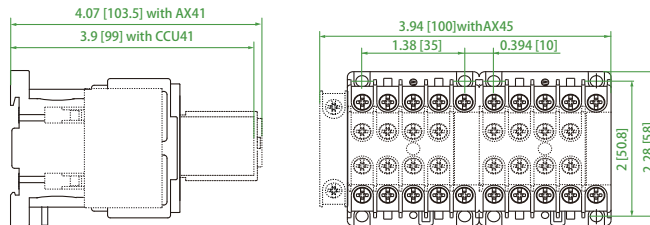
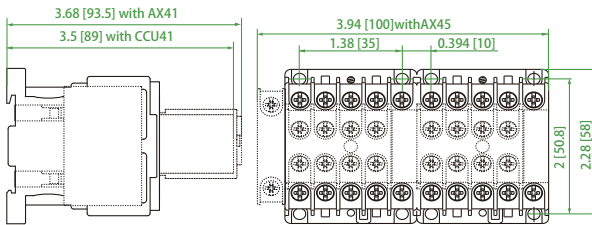
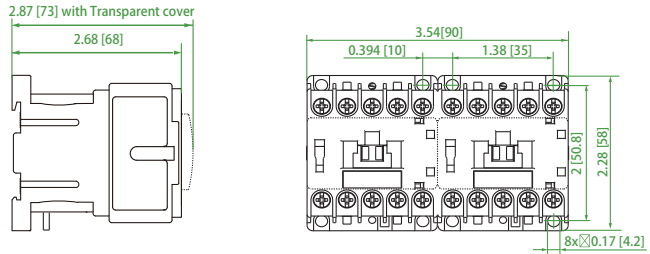
Ex9CSR06~12AC

Unit: in [mm]



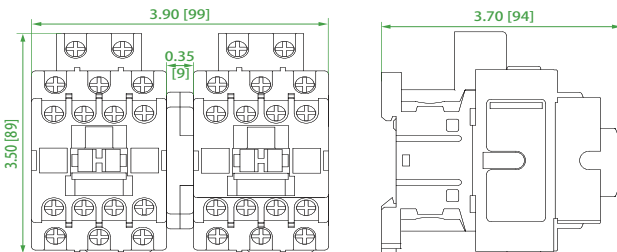
Ex9CSR06~12 DC

Unit: in [mm]



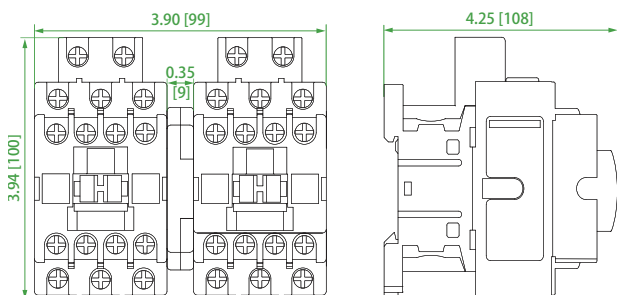
Ex9CR09~18

Unit: in [mm]



Ex9CR25~38

Unit: in [mm]



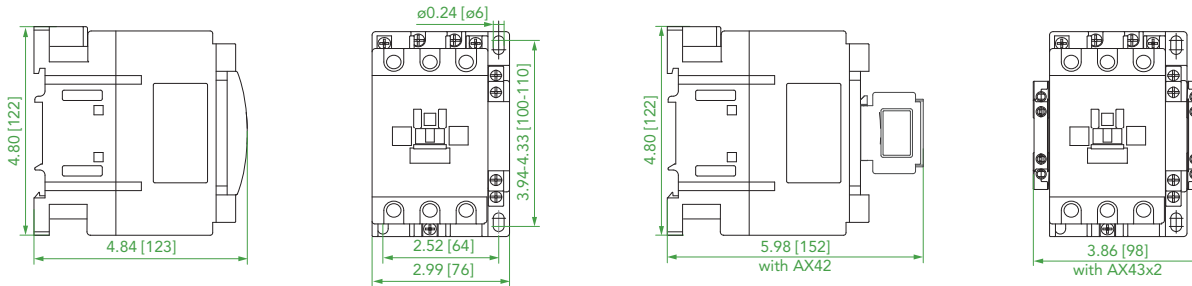
A

IEC Contactors

Ex9C Dimensions

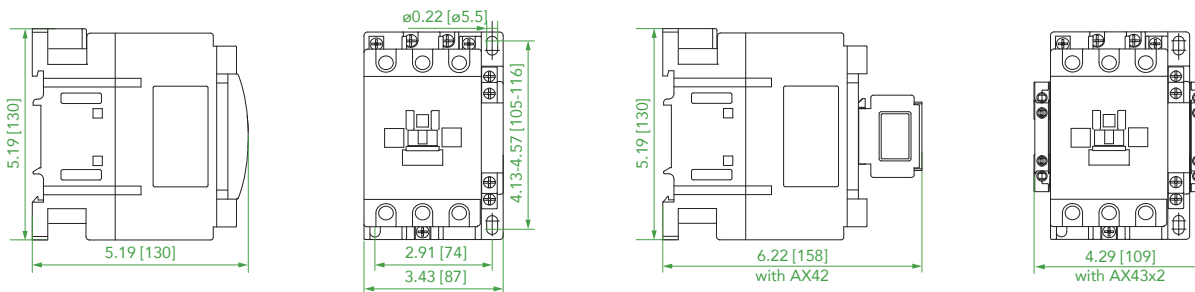
Ex9C40~65

Unit: in [mm]



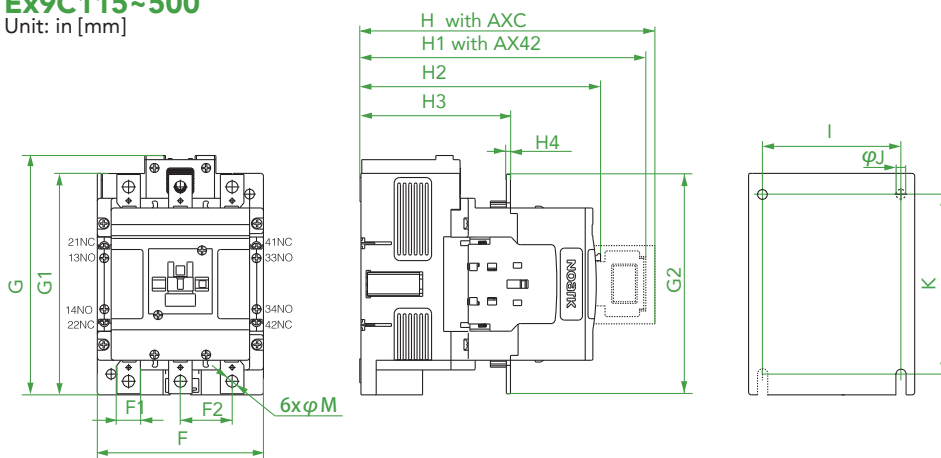
Ex9C80~100

Unit: in [mm]



Ex9C115~500

Unit: in [mm]



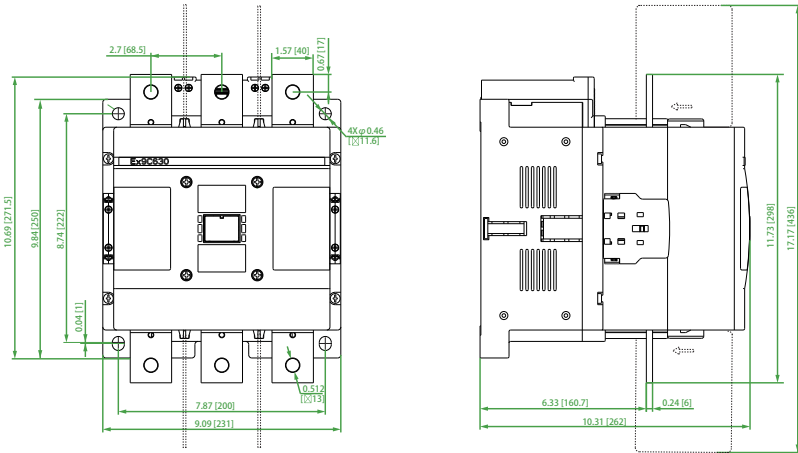
Contactor	G	G1	F	F1	F2	M	H	H1	H2	H3	H4	G2	I	J*	K
Ex9C115~185	6.81 [173]	6.30 [160]	4.75 [120]	0.669 [17]	1.47 [37.4]	$\phi 0.335$ [$\phi 8.5$]	9.02 [229]	8.11 [206]	6.85 [174]	4.25 [108]	0.118 [3]	6.26 [159]	3.94 [100]	$\phi 0.28$ [$\phi 7$]	5.12 [130]
Ex9C225~300	8.35 [212]	7.87 [200]	5.71 [145]	0.984 [25]	1.89 [48]	$\phi 0.433$ [$\phi 11$]	10.35 [263]	9.45 [240]	8.19 [208]	5.28 [134]	0.236 [6]	7.60 [193]	4.72 [120]	$\phi 0.35$ [$\phi 9$]	7.09 [180]
Ex9C400~500	8.58 [218]	7.87 [200]	6.30 [160]	0.984 [25]	1.89 [48]	$\phi 0.433$ [$\phi 11$]	11.22 [285]	10.31 [262]	9.06 [230]	5.98 [152]	0.236 [6]	8.41 [213.6]	5.12 [130]	$\phi 0.35$ [$\phi 9$]	7.09 [180]

*Note: Ex9C115~185 has only two mounting holes as broken circles and the other types have four mounting holes.

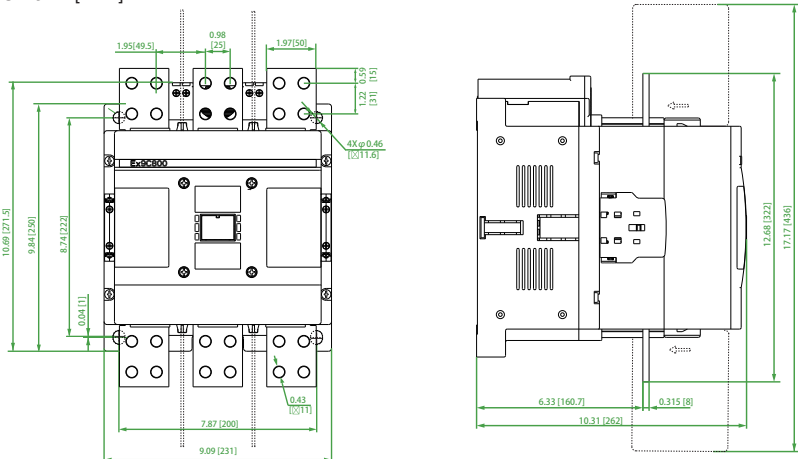
IEC Contactors

Ex9C Dimensions

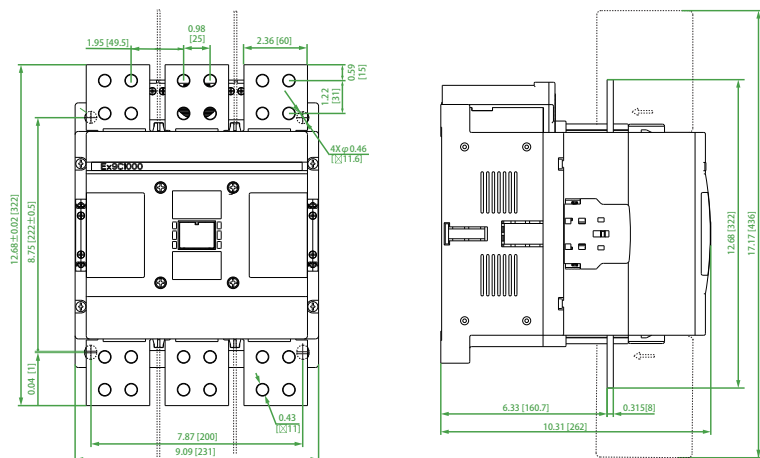
Ex9C630
Unit: in [mm]



Ex9C800
Unit: in [mm]



Ex9C1000
Unit: in [mm]

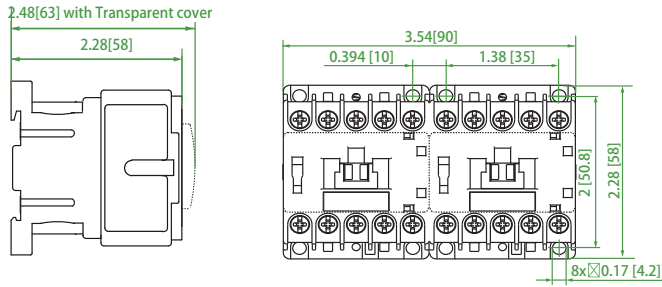


IEC Contactors

Ex9CSR/CR Dimensions

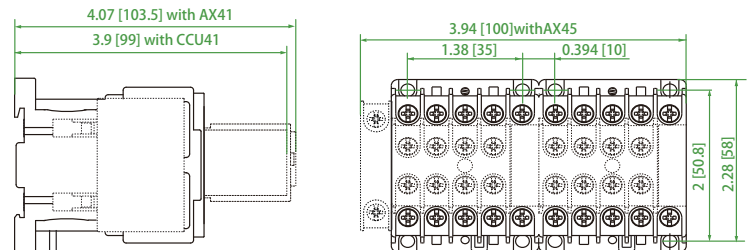
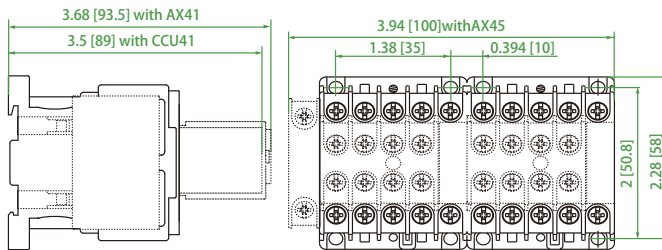
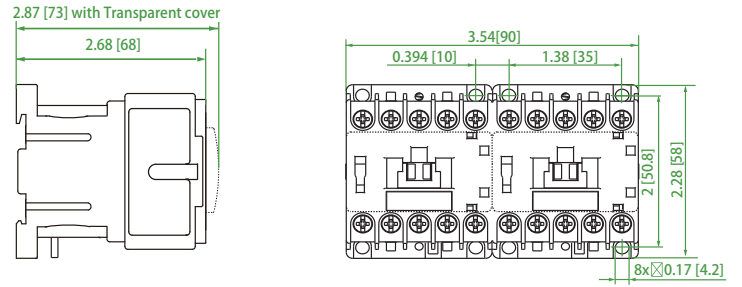
Ex9CSR06~12 AC

Unit: in [mm]



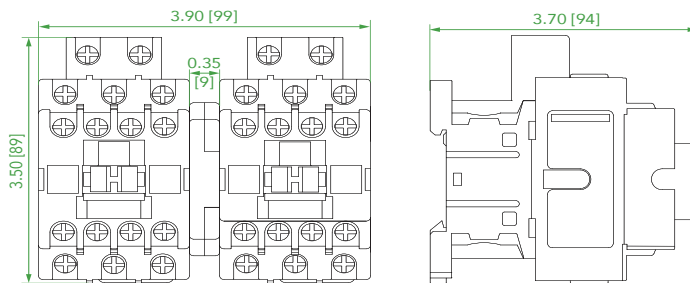
Ex9CSR06~12 DC

Unit: in [mm]



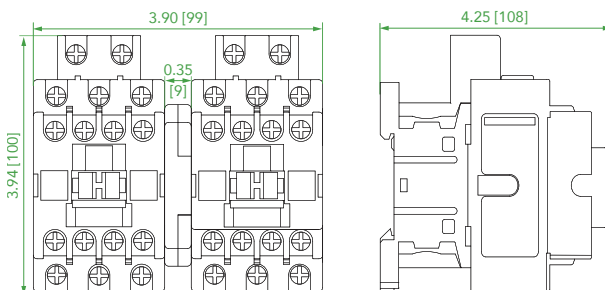
Ex9CR09~18

Unit: in [mm]



Ex9CR25~38

Unit: in [mm]

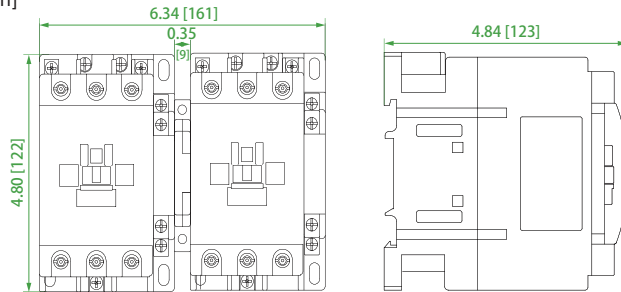


IEC Contactors

Ex9CR Dimensions

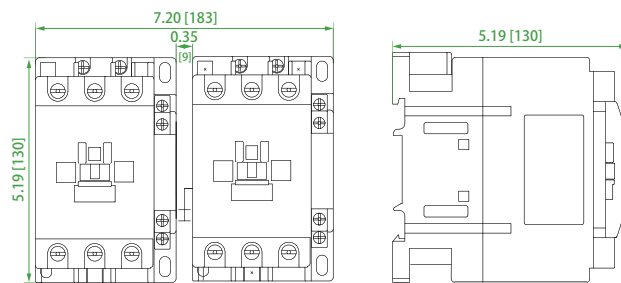
Ex9CR40~65

Unit: in [mm]



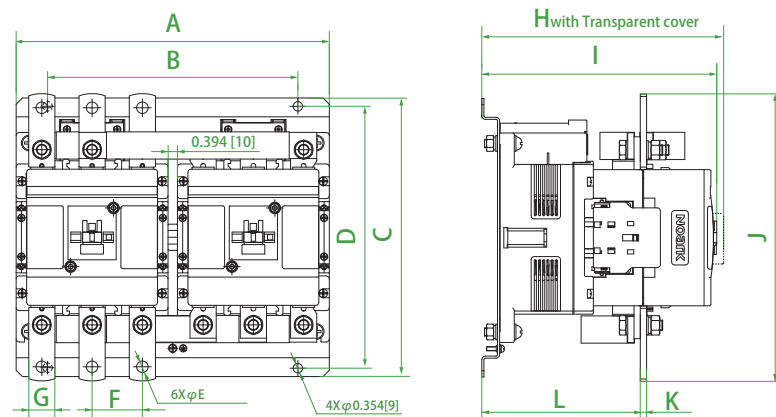
Ex9CR80~100

Unit: in [mm]



Ex9CR115~500

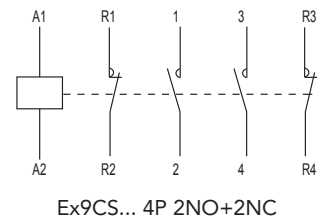
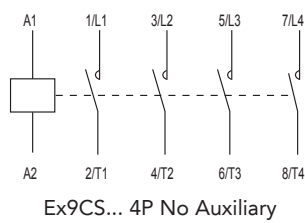
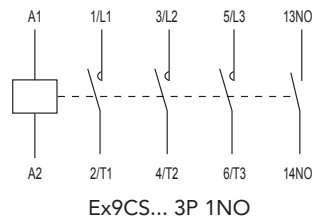
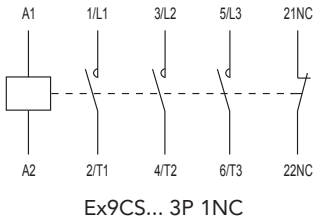
Unit: in [mm]



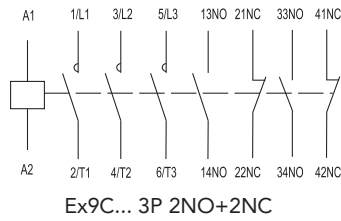
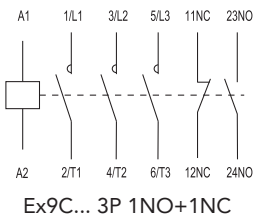
Contactor	A	B	C	D	E	F	G	H	I	J	K	L
Ex9CR115~185	9.80 [249]	7.44 [189]	9.06 [230]	8.43 [214]	0.335 [8.5]	1.47 [37.4]	0.63 [16]	7.72 [196]	7.62 [193.5]	8.76 [222.5]	0.197 [5]	5.05 [128.3]
Ex9CR225~300	11.77 [299]	9.41 [239]	10.47 [266]	9.84 [250]	0.433 [11]	1.89 [48]	0.984 [25]	8.94 [227]	8.84 [224.5]	10.81 [274.5]	0.236 [6]	5.96 [151.3]
Ex9CR400~500	12.95 [329]	10.59 [269]	10.55 [268]	9.96 [253]	0.433 [11]	1.89 [48]	0.984 [25]	9.8 [249]	9.7 [246.5]	11.63 [295.5]	0.236 [6]	6.65 [169]

IEC Contactors Ex9CS/C Wiring Diagrams

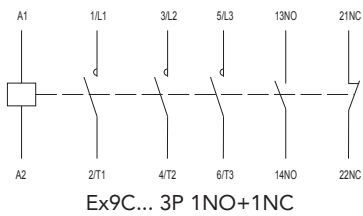
Ex9CS06~12



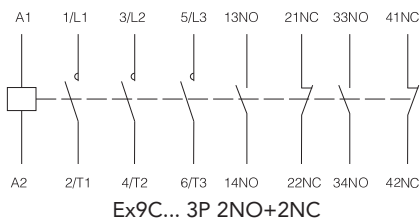
Ex9C09~38



Ex9C40~100



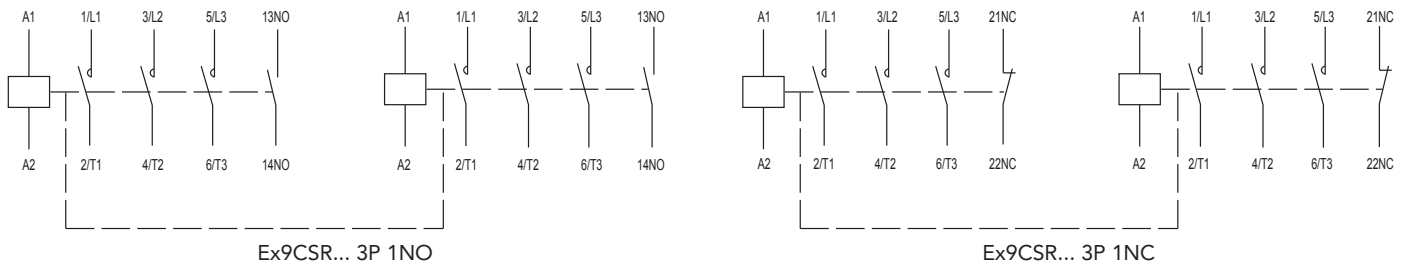
Ex9C115~1000



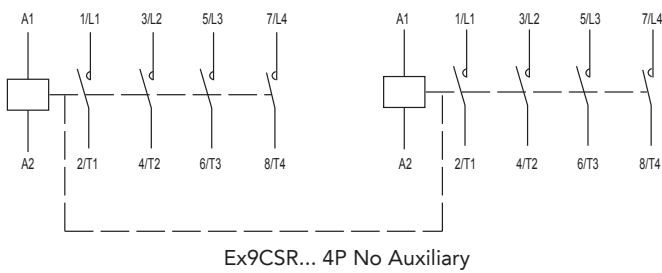
IEC Contactors

Ex9CSR/CR Wiring Diagrams

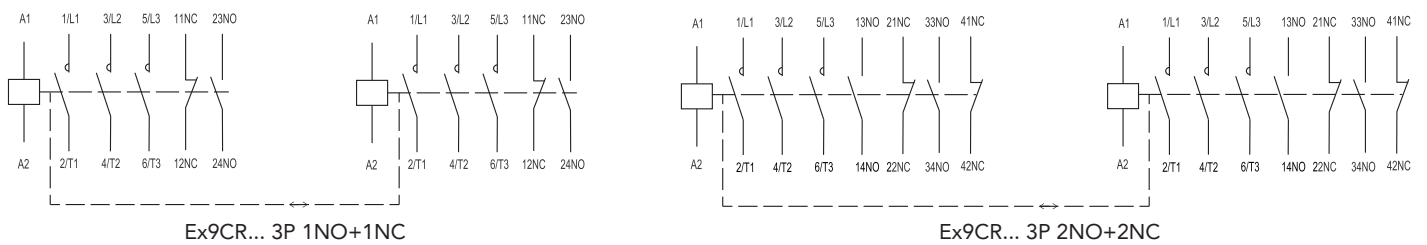
Ex9CSR06~12



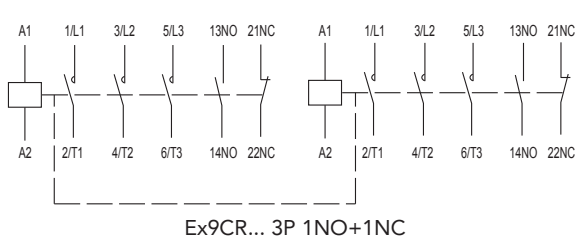
A



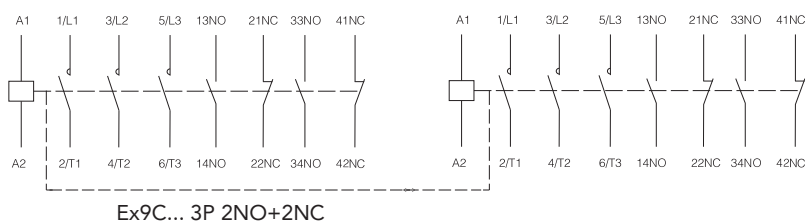
Ex9CR09~38



Ex9CR40~100

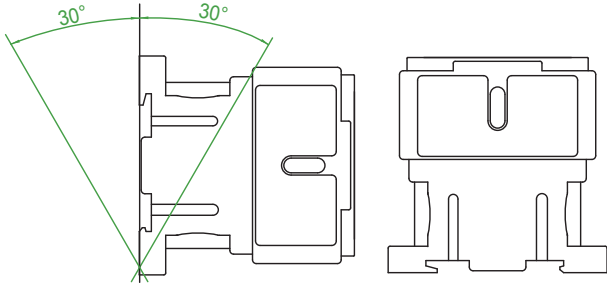


Ex9CR115~500

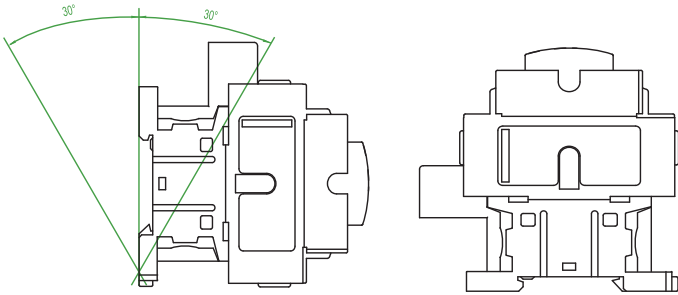


IEC Contactors Ex9CS/C Mounting Positions

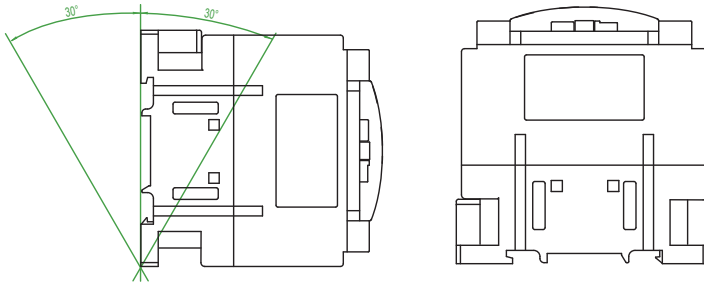
Ex9CS/CSR06~12



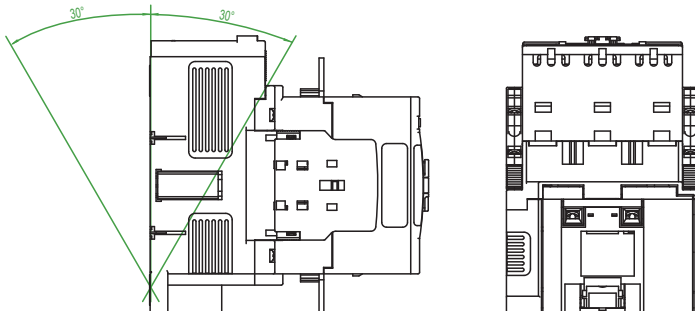
Ex9C/CR09~38



Ex9C/CR40~100



Ex9C/CR115~1000

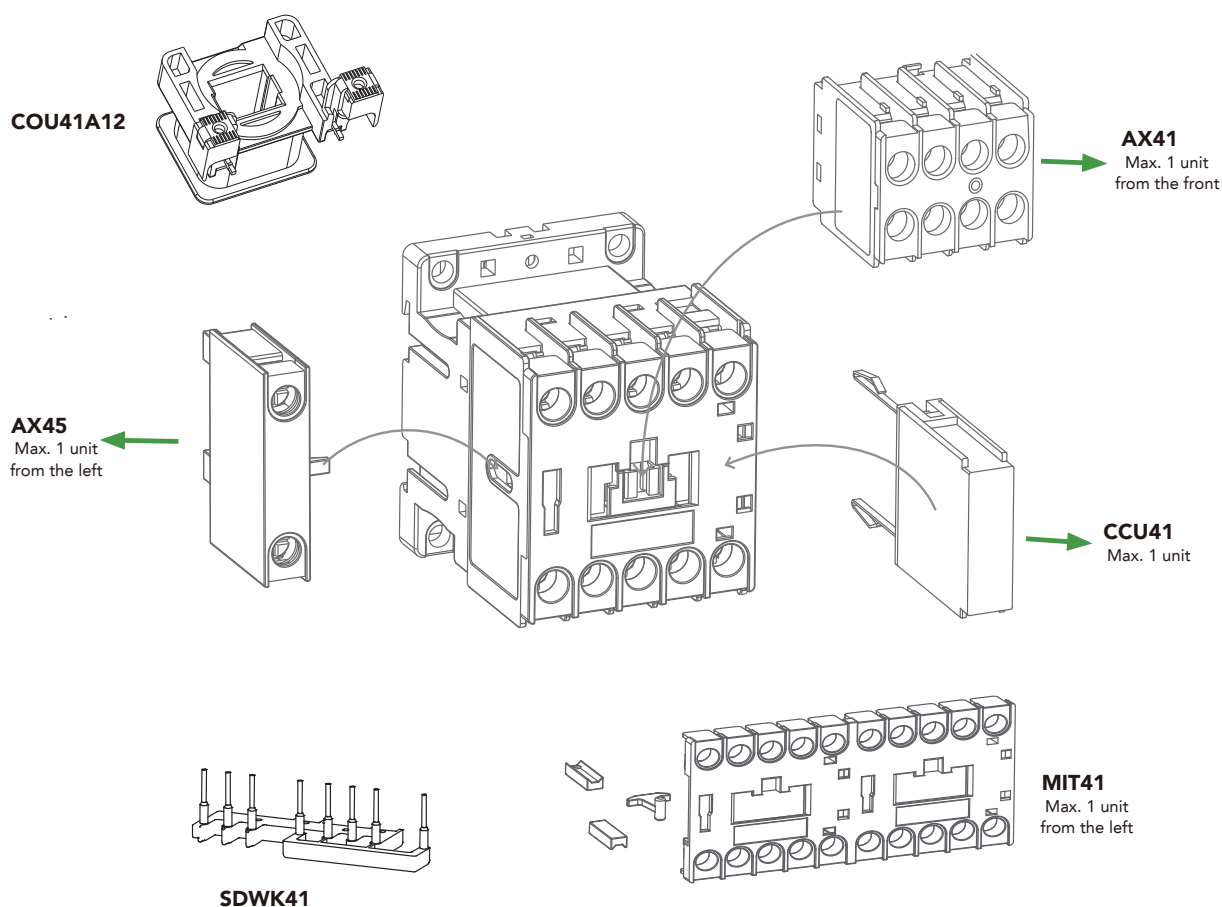


IEC Contactors

Ex9CS Accessories Overview

The Ex9CS line shares accessories and every contactor can be equipped with one front-mounted unit, one left side-mounted contact and surge suppressor block.

A



Front-Mounted Auxiliary Contacts (AX41)

- For subsequent mounting
- One unit used with a contactor

Side-Mounted Auxiliary Contacts (AX45)

- For subsequent mounting
- One unit used with a contactor on the left side

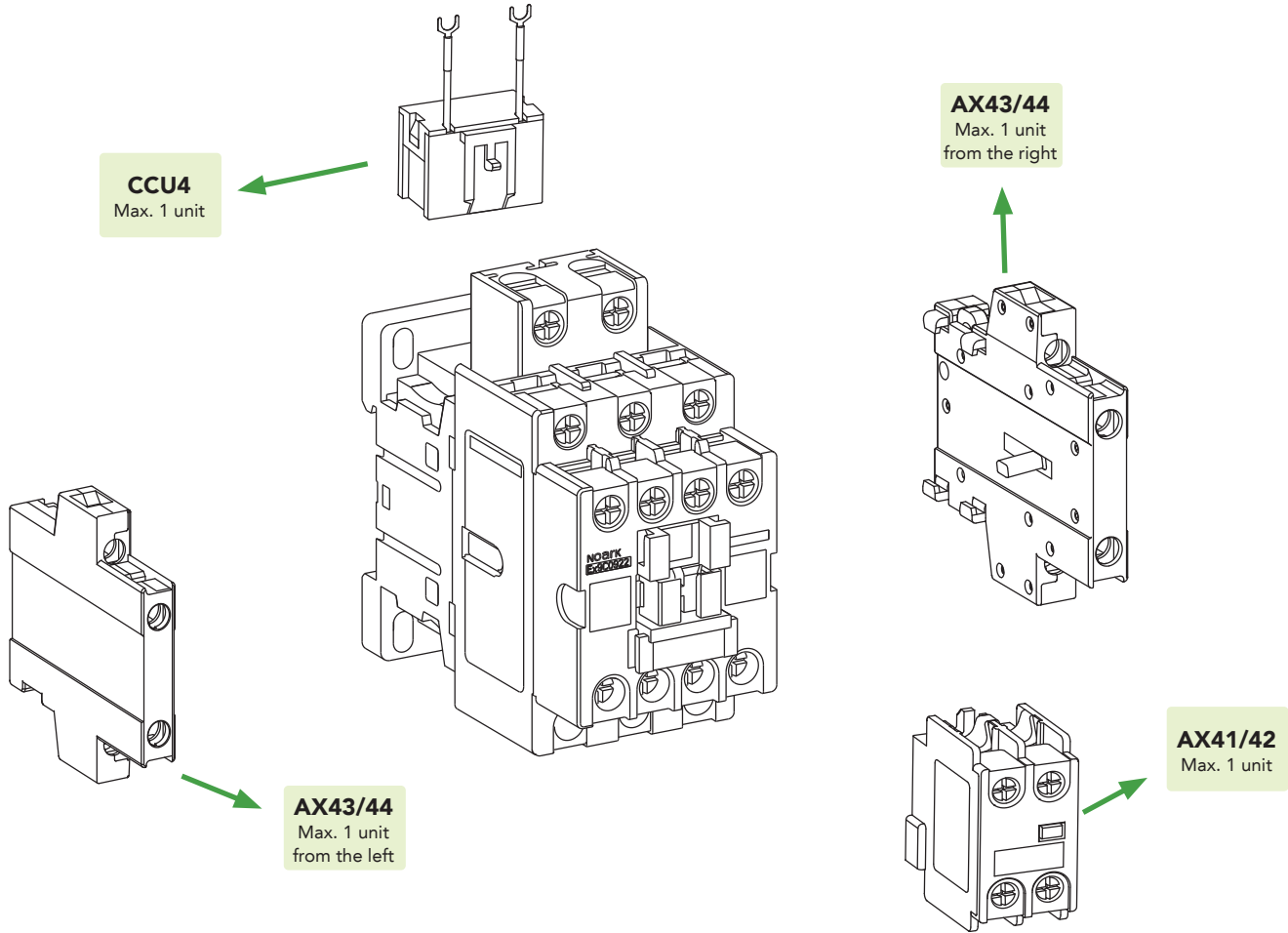
Surge Suppressor Blocks (CCU41)

- Reduces voltage peaks in control circuit
- Versions with varistor technology
- Includes cable lugs for connecting to contactor terminals

IEC Contactors

Ex9C Accessories Overview

The Ex9C line shares accessories and every contactor can be equipped with one front-mounted unit, two units of side-mounted contact (one from the left, the other from the right) and surge suppressor block.



Front-Mounted Auxiliary Contacts (AX41/AX42)

- For subsequent mounting
- One unit used with a contactor

Side-Mounted Auxiliary Contacts (AX43/AX44)

- For subsequent mounting
- One unit used with a contactor on the left side

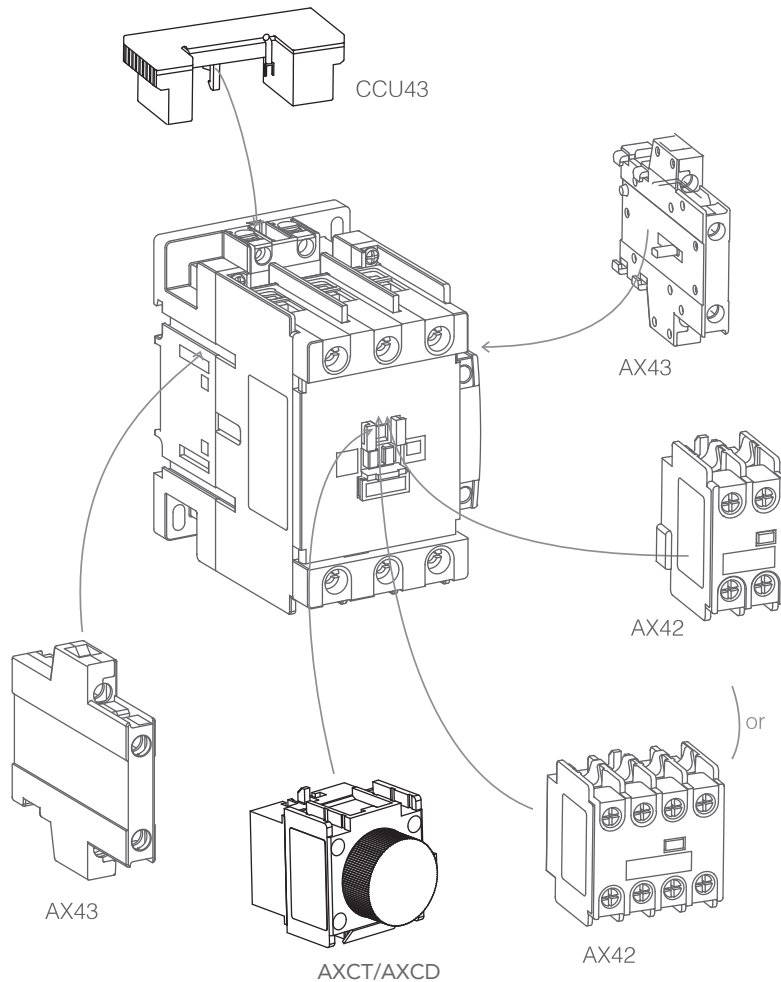
Surge Suppressor Blocks (CCU)

- Reduces voltage peaks in control circuit
- Versions with varistor technology
- Includes cable lugs for connecting to contactor terminals

IEC Contactors

Ex9C Accessories Overview

The Ex9C(40-100A) line shares accessories and every contactor can be equipped with one front-mounted unit, two units of side-mounted contact (one from the left, the other from the right) and surge suppressor block.



Front-Mounted Auxiliary Contacts (AX42)

- For subsequent mounting
- One unit used with a contactor

Side-Mounted Auxiliary Contacts (AX43)

- For subsequent mounting
- One unit used with a contactor on the left side another unit on the right side

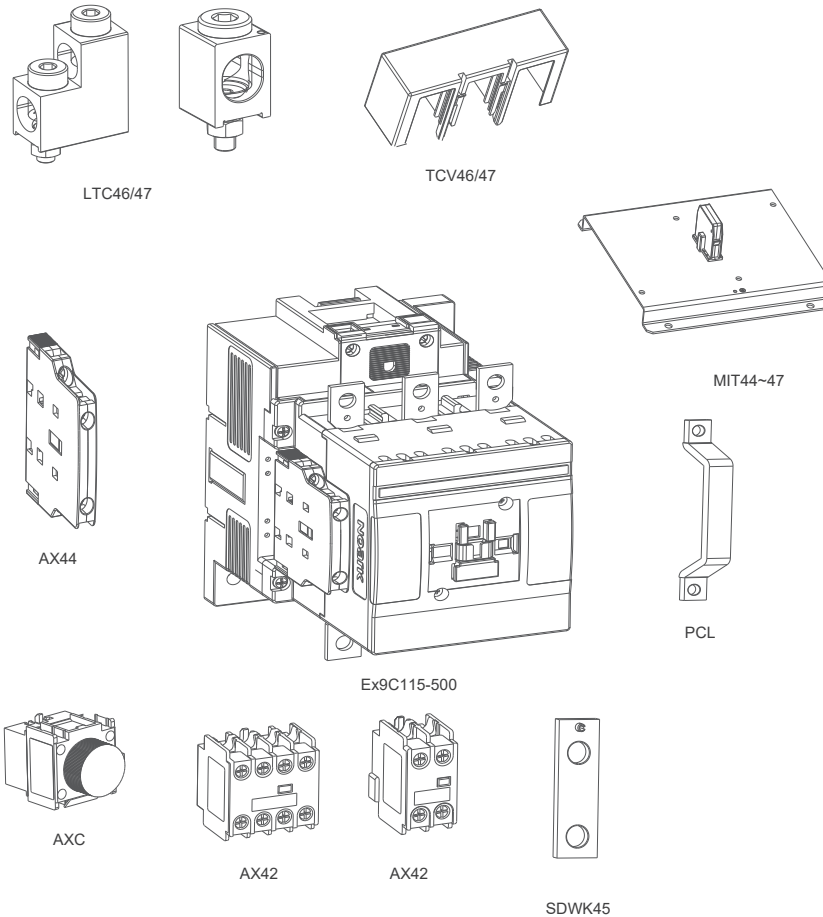
Surge Suppressor Blocks (CCU43)

- Reduces voltage peaks in control circuit
- Versions with varistor technology
- Includes cable lugs for connecting to contactor terminals

IEC Contactors

Ex9C Accessories Overview

The Ex9C (115-500A) line shares accessories and every contactor can be equipped with one front-mounted unit, one left side-mounted



Front-Mounted Auxiliary Contacts (AX42)

- For subsequent mounting
- One unit used with a contactor

Side-Mounted Auxiliary Contacts (AX44)

- For subsequent mounting
- One unit used with a contactor on the left side

Time Delay Relay (AXCD/AXCT)

Mechanical Interlock (MIT44-47)

Surge Suppressor Blocks (CCU41)

- Reduces voltage peaks in control circuit
- Versions with varistor technology
- Includes cable lugs for connecting to contactor terminals

Power (PCL185/PCL300/PCL/500)

- For reversing contactors

Star Delta Wiring Kit (SDWK45)

- Applied in Ex9C115-185 contactor

IEC Contactors

Ex9CS/C Accessories: Auxiliary Contact



Front Mount

- For contactors Ex9CS, Ex9CSR, Ex9C and Ex9CR
- For subsequent mounting
- One unit used with a contactor



Side Mount

- For contactors Ex9CS, Ex9C and Ex9CR
- For subsequent mounting
- One unit used with a contactor on the left and one unit on the right

AX4	1	04	UL
Description	Contactor Type and Rated Current	Auxiliary Contact	Device Category
Auxiliary Contact	1: Ex9CS Mini Front Mount 06~12 A	01: 1NC	UL: UL Listed
	2: Ex9C Standard Front Mount 09~500 A	02: 2NC	
	3: Ex9C Standard Side Mount 09~100 A	04: 4NC	
	4: Ex9C Standard Side Mount 115~500 A	10: 1NO	
	5: Ex9CS Mini Side Mount 06~12 A	11: 1NO+1NC	
		13: 1NO+3NC	
		20: 2NO	
		22: 2NO+2NC	
		31: 3NO+1NC	
		40: 4NO	

	Matched Contactor	Product	Part Number
Front Mount	Ex9CS06~12 Ex9CSR06~12 (Front Mount)	AX4104UL	1330001
		AX4113UL	1330002
		AX4122UL	1330003
		AX4131UL	1330004
		AX4140UL	1330005
	Ex9C09~500 Ex9CR09~500 (Front Mount)	AX4202UL	1330006
		AX4204UL	1330009
		AX4211UL	1330007
		AX4213UL	1330010
		AX4220UL	1330008
		AX4222UL	1330011
		AX4231UL	1330012
		AX4240UL	1330013
Side Mount	Ex9C09~100 Ex9CR09~100 (Side Mount)	AX4311UL	1330014
	Ex9C115~1000 Ex9CR115~500 (Side Mount)	AX4402UL	1330016
		AX4411UL	1330015
			AX4420UL
Ex9CS06~12 (Side Mount)	AX4501UL	1330241	
	AX4510UL	1330242	

A

IEC Contactors

Ex9CS/C Accessories: Coil



- Field interchangeable

COU41	A	12	A	UL
Description	Coil Type	Contactor Type and Rated Current	Control Voltage	Device Category
Coil	<p>A: AC, 50/60 Hz</p> <p>E: AC/DC</p> <p>F: Wide Range Electronic AC/DC</p>	<p>12: Ex9CS Mini 06~12 A</p> <p>18: Ex9C Standard 09~18 A</p> <p>38: Ex9C Standard 25~38 A</p> <p>65: Ex9C Standard 40~65 A</p> <p>100: Ex9C Standard 80~100 A</p> <p>185: Ex9C Standard 115~185 A</p> <p>300: Ex9C Standard 225~300 A</p> <p>500: Ex9C Standard 400~500 A</p> <p>1000: Ex9C Standard</p>	<p>B: 24 V U: 240 V</p> <p>C: 36 V W: 250 V</p> <p>D: 42 V L: 250~500</p> <p>E: 48 V Vac/dc</p> <p>H: 48~130 N: 277 V</p> <p>Vac/dc Q: 380 V</p> <p>K: 100~250 V: 400 V</p> <p>Vac/dc Z: 415 V</p> <p>F: 110 V R: 440 V</p> <p>G: 120 V T: 480 V</p> <p>X: 208 V S: 500 V</p> <p>M: 220 V Y: 600 V</p> <p>P: 230 V</p>	UL: UL Listed

IEC Contactors

Ex9CS/C Accessories: Coil

Accessory Description	Coil Voltage	AC Coil						
		Product Part Number		Product Part Number		Product Part Number		
		06~12 A		25~38 A		80~100 A		
Coil	24	COU41A12BUL	1330036	COU41A38BUL	1330084	COU41A100BUL	1330132	
	36	COU41A12CUL	1330037	COU41A38CUL	1330085	COU41A100CUL	1330133	
	42	COU41A12DUL	1330038	COU41A38DUL	1330086	COU41A100DUL	1330134	
	48	COU41A12EUL	1330039	COU41A38EUL	1330087	COU41A100EUL	1330135	
	110	COU41A12FUL	1330040	COU41A38FUL	1330088	COU41A100FUL	1330136	
	120	COU41A12GUL	1330041	COU41A38GUL	1330089	COU41A100GUL	1330137	
	208	COU41D12XUL	1330053	COU41A38XUL	1330101	COU41A100XUL	1330149	
	220	COU41A12MUL	1330042	COU41A38MUL	1330090	COU41A100MUL	1330138	
	230	COU41A12PUL	1330043	COU41A38PUL	1330091	COU41A100PUL	1330139	
	240	COU41A12UUL	1330045	COU41A38UUL	1330093	COU41A100UUL	1330141	
	277	COU41A12NUL	1330044	COU41A38NUL	1330092	COU41A100NUL	1330140	
	380	COU41A12QUL	1330046	COU41A38QUL	1330094	COU41A100QUL	1330142	
	400	COU41A12VUL	1330047	COU41A38VUL	1330095	COU41A100VUL	1330143	
	415	COU41A12ZUL	1330048	COU41A38ZUL	1330096	COU41A100ZUL	1330144	
	440	COU41A12RUL	1330049	COU41A38RUL	1330097	COU41A100RUL	1330145	
	480	COU41A12TUL	1330050	COU41A38TUL	1330098	COU41A100TUL	1330146	
	500	COU41A12SUL	1330051	COU41A38SUL	1330099	COU41A100SUL	1330147	
	600	COU41A12YUL	1330052	COU41A38YUL	1330100	COU41A100YUL	1330148	
			09~18 A		40~65 A			
		24	COU41A18BUL	1330060	COU41A65BUL	1330108		
	36	COU41A18CUL	1330061	COU41A65CUL	1330109			
	42	COU41A18DUL	1330062	COU41A65DUL	1330110			
	48	COU41A18EUL	1330063	COU41A65EUL	1330111			
	110	COU41A18FUL	1330064	COU41A65FUL	1330112			
	120	COU41A18GUL	1330065	COU41A65GUL	1330113			
	208	COU41A18XUL	1330077	COU41A65XUL	1330125			
	220	COU41A18MUL	1330066	COU41A65MUL	1330114			
	230	COU41A18PUL	1330067	COU41A65PUL	1330115			
	240	COU41A18UUL	1330069	COU41A65UUL	1330117			
	277	COU41A18NUL	1330068	COU41A65NUL	1330116			
	380	COU41A18QUL	1330070	COU41A65QUL	1330118			
	400	COU41A18VUL	1330071	COU41A65VUL	1330119			
	415	COU41A18ZUL	1330072	COU41A65ZUL	1330120			
	440	COU41A18RUL	1330073	COU41A65RUL	1330121			
	480	COU41A18TUL	1330074	COU41A65TUL	1330122			
	500	COU41A18SUL	1330075	COU41A65SUL	1330123			
	600	COU41A18YUL	1330076	COU41A65YUL	1330124			

A

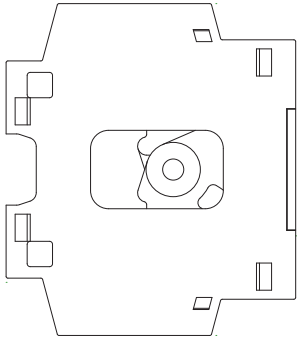
IEC Contactors

Ex9CS/C Accessories: Coil

Accessory Description	Coil Voltage	AC/DC Coil						
		Product Part Number		Product Part Number		Product Part Number		
		115~185 A		225~300 A		400~500 A		
Coil	24	COU41E185BUL	1330155	COU41E300BUL	1330173	-	-	
	36	COU41E185CUL	1330156	COU41E300CUL	1330174	COU41E500CUL	1330192	
	42	COU41E185DUL	1330157	COU41E300DUL	1330175	COU41E500DUL	1330193	
	48	COU41E185EUL	1330158	COU41E300EUL	1330176	COU41E500EUL	1330194	
	110	COU41E185FUL	1330159	COU41E300FUL	1330177	COU41E500FUL	1330195	
	120	COU41E185GUL	1330160	COU41E300GUL	1330178	COU41E500GUL	1330196	
	208	COU41E185XUL	1330163	COU41E300XUL	1330181	COU41E500XUL	1330199	
	220	COU41E185MUL	1330161	COU41E300MUL	1330179	COU41E500MUL	1330197	
	230	COU41E185PUL	1330162	COU41E300PUL	1330180	COU41E500PUL	1330198	
	240	COU41E185UUL	1330164	COU41E300UUL	1330182	COU41E500UUL	1330200	
	277	COU41E185NUL	1330167	COU41E300NUL	1330185	COU41E500NUL	1330203	
	380	COU41E185QUL	1330165	COU41E300QUL	1330183	COU41E500QUL	1330201	
	400	COU41E185VUL	1330166	COU41E300VUL	1330184	COU41E500VUL	1330202	
	480	COU41E185TUL	1330168	COU41E300TUL	1330186	COU41E500TUL	1330204	
	600	COU41E185YUL	1330169	COU41E300YUL	1330187	COU41E500YUL	1330205	
			Wide Range Electronic AC/DC Coil					
			115~185 A		225~300 A		400~500 A	
	48~130	COU41F185HUL	1330170	COU41F300HUL	1330188	COU41F500HUL	1330206	
	100~250	COU41F185KUL	1330171	COU41F300KUL	1330189	COU41F500KUL	1330207	
	250~500	COU41F185LUL	1330172	COU41F300LUL	1330190	COU41F500LUL	1330208	

IEC Contactors

Ex9CS/C Accessories: Mechanical Interlock and Power

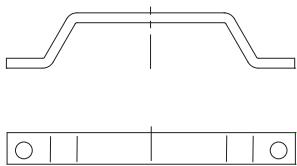


*NOTE: MIT41 cannot be installed by end user.

MIT4	1	UL
Description	Contactor Type and Rated Current	Device Category
Mechanical Interlock	1: Ex9CS Mini 06~12 A* 2: Ex9C Standard 09~38 A 3: Ex9C Standard 40~100 A 4: Ex9C Standard 115~185 A 5: Ex9C Standard 225~300 A 6: Ex9C Standard 400~500 A 8: Ex9C Standard 09~38 A and 40~100 A 9: Ex9C Standard 40~100 A and 115~185 A 10: Ex9C Standard 115~185 A, 225~300A, 400~500A, 630~1000A	UL: UL Listed

A

Accessory Description	Product	Part Number
Mechanical Interlock	MIT41UL	1330026
	MIT42UL	1330027
	MIT43UL	1330028
	MIT44UL	1330029
	MIT45UL	1330030
	MIT46UL	1330031
	MIT48UL	1330232
	MIT49UL	1330233
	MIT410UL	1330234



PCL	185	UL
Description	Contactor Type and Rated Current	Device Category
Power Connection	185: Ex9C Standard 115~185 A	UL: UL Listed
	300: Ex9C Standard 225~300 A	
	500: Ex9C Standard 400~500 A	

Accessory Description	Product	Part Number
Power Connection	PCL185UL	1330032
	PCL300UL	1330033
	PCL500UL	1330034

IEC Contactors

Ex9CS/C Accessories: Surge Suppressor Block



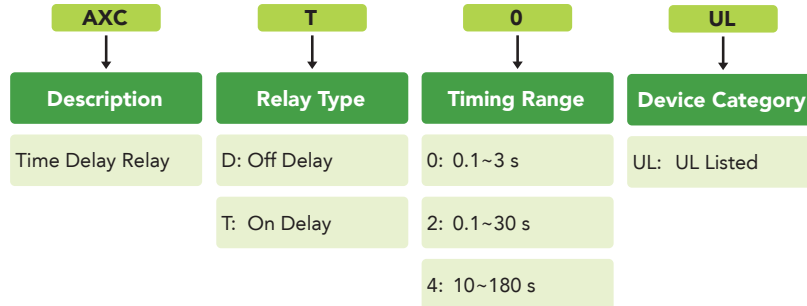
CCU4	1	A	UL
Description	Contactor Type and Rated Current	Voltage Protection Scope	Device Category
Surge Suppressor Block	1: Ex9CS Mini 06~12 A	A: 24~48 Vac	UL: UL Listed
	2: Ex9C Standard 09~38 A	B: 110~240 Vac	
	3: Ex9C Standard 40~100 A	C: 380~415 Vac	

Accessory Description	Matched Contactor	Product	Part Number
Surge Suppressor Block	Ex9CS06~12	CCU41AUL	1330017
		CCU41BUL	1330018
		CCU41CUL	1330019
	Ex9C09~38	CCU42AUL	1330020
		CCU42BUL	1330021
		CCU42CUL	1330022
	Ex9C40~100	CCU43AUL	1330023
		CCU43BUL	1330024
		CCU43CUL	1330025

- Reduces voltage peaks in control circuit
- Versions with varistor (CCU41) and RC circuit technology (CCU42 and CCU43)
- Includes cable lugs for connecting to contactor terminals

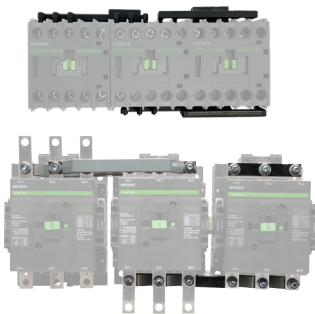
IEC Contactors

Ex9CS/C Accessories: Time Delay Relay, Lugs, Wiring Kit



A

Accessory Description	Matched Contactor	Product	Part Number
Time Delay Relay (Pneumatic Timer)	Ex9C09~500	AXCD0UL	1311730
		AXCD2UL	1311729
		AXCD4UL	1311731
		AXCT0UL	1311726
		AXCT2UL	1311727
		AXCT4UL	1311728



Accessory Description	Suitable For	Product Number	Part Number	Comment
Star Delta Wiring Kit (SDWK)	Ex9CS or Ex9CSR	SDWK41	1330216	-
	Ex9C 115-185	SDWK45	1330217	45mm terminal x 6pcs
	Ex9C 115-185	SDWK45-L	1330035	45mm terminal x 4pcs 70mm terminal x 2pcs

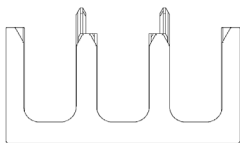
IEC Contactors

Ex9CS/C Accessories: Terminal Lugs, Terminal Cover



LTC	25	N	B	A
Description	Type	Device Category	Number of Holes	Others
Terminal Lugs	25: for Ex9C630 26: for Ex9C800/1000 46: for Ex9C115~185 47: for Ex9C225~500	N: UL Approval	A: 1 Hole * 115-185A B: 2 Holes * 225-630A C: 3 Holes * 630-1000A D: 4 Holes * 800-1000A	

Accessory Description	Type	Number of Holes	Product	Part Number
Terminal Lugs	630A	2 Holes	LTC25NBA	1102622
		3 Holes	LTC25NCA	1102623
	800/1000A	3 Holes	LTC26NCA	1102624
		4 Holes	LTC26NDA	1102625
	115~185A	1 Hole	LTC46NA1	1330218
	225~500A	2 Holes	LTC47NB2	1330221



TCV	46
Description	Type
Terminal Cover	46: for Ex9C115~185 47: for Ex9C225~500

Accessory Description	Type	Product	Part Number
Terminal Cover	115~185A	TCV46	1330222
	225~500A	TCV47	1330223

IEC Contactors

Ex9CS/C Accessory Specifications

	Auxiliary Contact																	A
	CS/CSR Front Mount AX41					C/CR Front Mount AX42								C/CR Side Mount AX43 AX44				
	04	13	22	31	40	02	04	11	13	20	22	31	40	11	02	11	20	
UL Standard File Number	E353866																	
IEC Standard File Number	IEC/EN 60947-5-1																	
Certifications	UL Listed, CSA, CCC, RoHS																	
Electrical Parameters																		
Contacts	4NC	1NO+ 3NC	2NO+ 2NC	3NO+ 1NC	4NO	2NC	4NC	1NO+ 1NC	1NO+ 3NC	2NO	2NO+ 2NC	3NO+ 1NC	4NO	1NO+ 1NC	2NC	1NO+ 1NC	2NO	
Rated Frequency (Hz)	50/60																	
Rated Working Voltage Ue	AC-15 (V)					380/400/415								24/230/400/690				
	DC-13 (V)					220/250								125/250				
Rated Working Current Ie	AC-15 (A)					1.9A								6.00 (24 V) 3.13 (230 V) 1.80 (400 V) 1.04 (690 V)				
	DC-13 (A)					0.31								0.55 (125 V) 0.27 (250 V)				
Rated Capacity	AC-15 (VA)					720												
	DC-13 (W)					69												
Rated Thermal Current Ith (A)	10																	
Rated Impulse Withstand Voltage Uimp (kV)	6 (1.2/50 ms)																	
Rated Insulation Voltage Ui (V)	690																	
Mechanical Parameters																		
Device Width in (mm)	1.46 (37)					1.89 (48)								0.43 (11)	0.39 (10)			
Device Height in (mm)	1.54 (39)					1.46 (37)								2.72 (69)	2.52 (64)			
Device Depth in (mm)	1.30 (33)					1.02 (26)		1.77 (45)						2.76 (70)	2.68 (68)			
Degree of Protection	IP 20																	
Terminals	Lift																	
Terminal Capacity AWG (mm ²)	18-12 (1-2.5)																	
Torque of Terminals in-lb (N.m)	7 (0.80)					15 (1.70)												

IEC Contactors

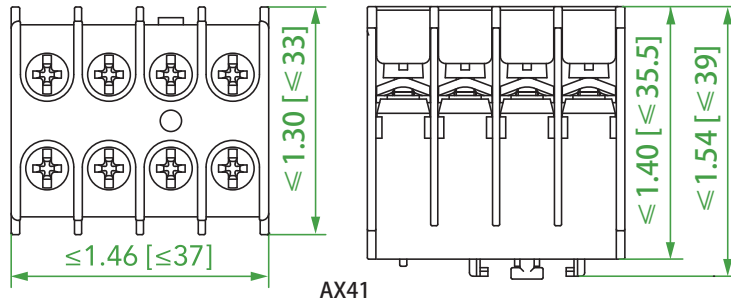
Ex9CS/C Accessory Specifications

	Surge Suppressor Block		
	CCU41	CCU42	CCU43
Electrical Parameters			
Internal Technology	Varistor	Resistance	
Control Coil Voltage Uc (Protection Range)		24~48 Vac/dc 110~240 Vac/dc 380~415 Vac/dc	
Maximum Peak Voltage Up (Uc)	2kV	3kV	
Mechanical Parameters			
Matched Contactor Type	Ex9CS06~12	Ex9C09~38	Ex9C40~100
Mounting	Mounts to Contactor Control Coil Terminals		
Weight lb (kg)	0.04 (0.02)		

IEC Contactors

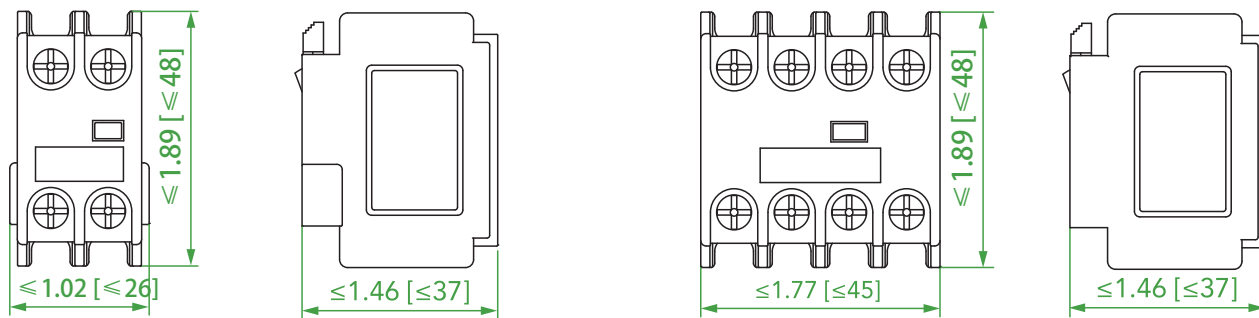
Ex9CS/C Accessory Dimensions

AX41/42
 Front Mount Auxiliary Contact
 Unit: in [mm]



AX41

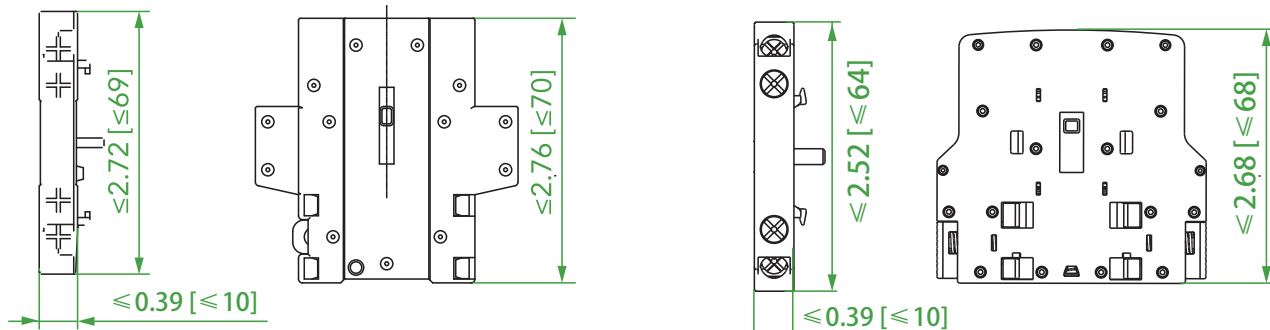
A



AX42 2P

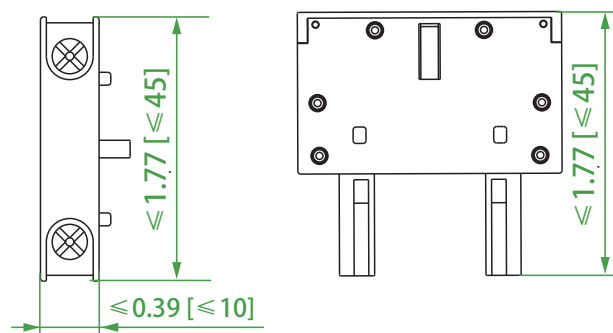
AX42 4P

AX43/44/45
 Side Mount Auxiliary Contact
 Unit: in [mm]



AX43

AX44

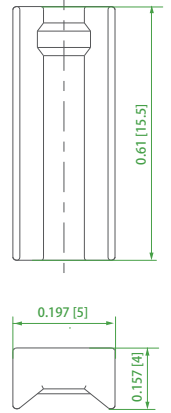
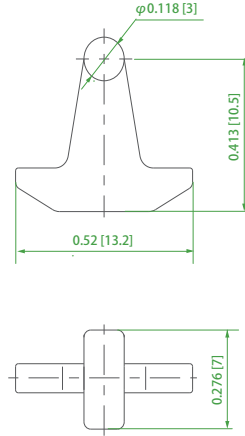
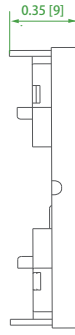
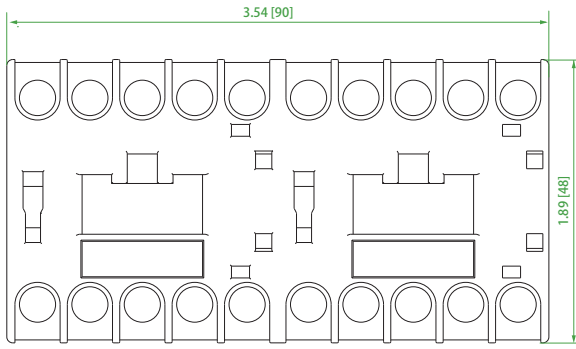


AX45

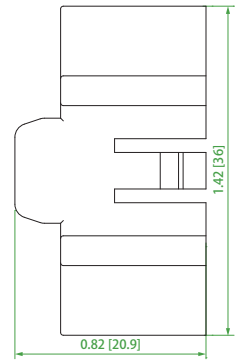
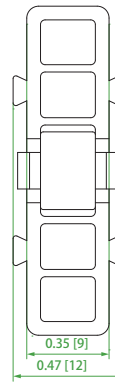
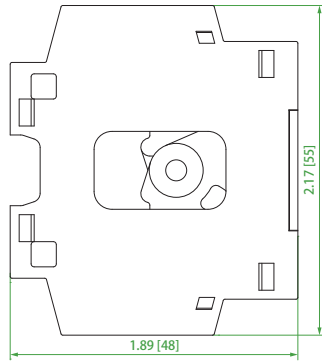
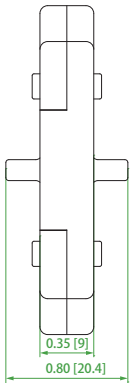
IEC Contactors

Ex9CS/C Accessory Dimensions

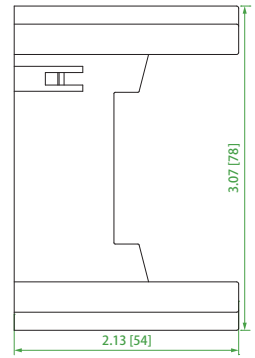
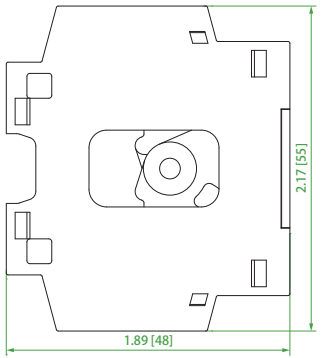
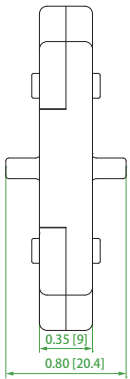
MIT41
Mechanical Interlock Kit
Unit: in [mm]



MIT42
Mechanical Interlock Kit
Unit: in [mm]



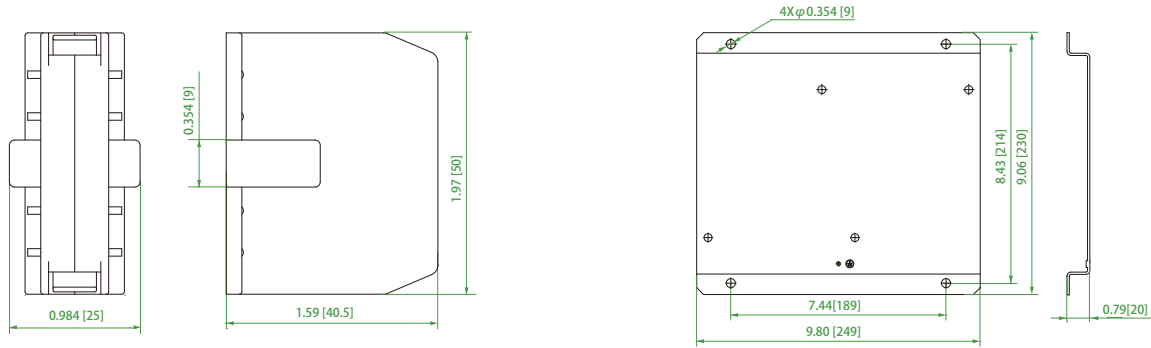
MIT43
Mechanical Interlock Kit
Unit: in [mm]



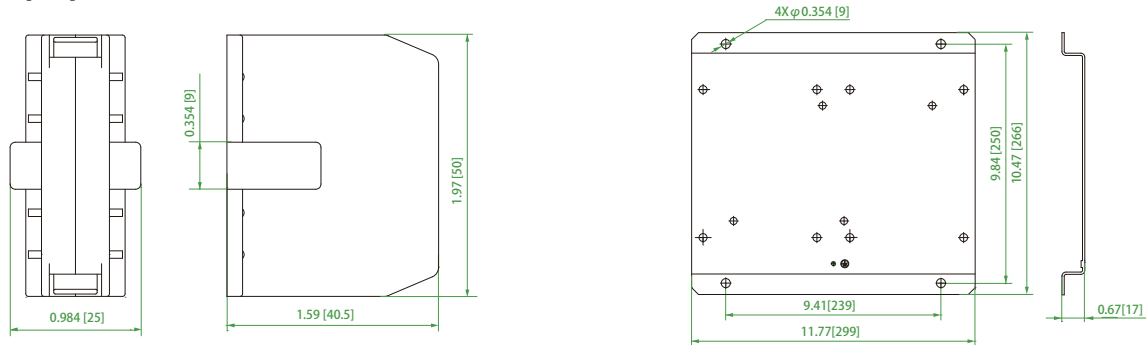
IEC Contactors

Ex9CS/C Accessory Dimensions

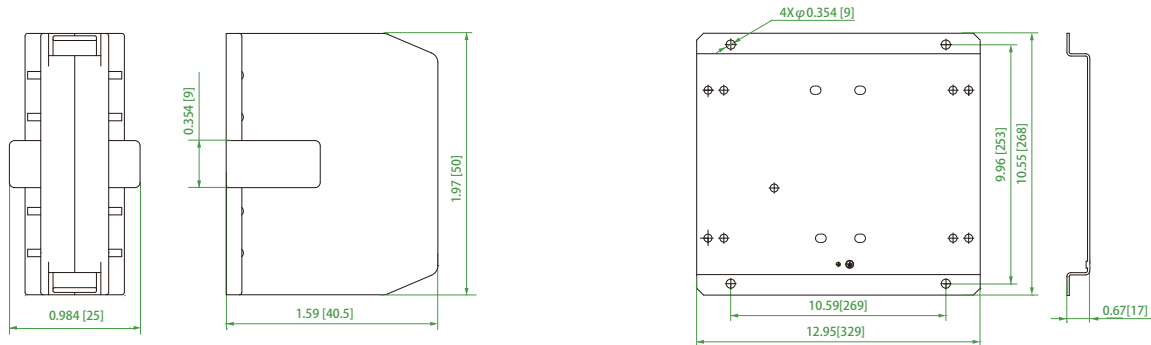
MIT44
Mechanical Interlock Kit
Unit: in [mm]



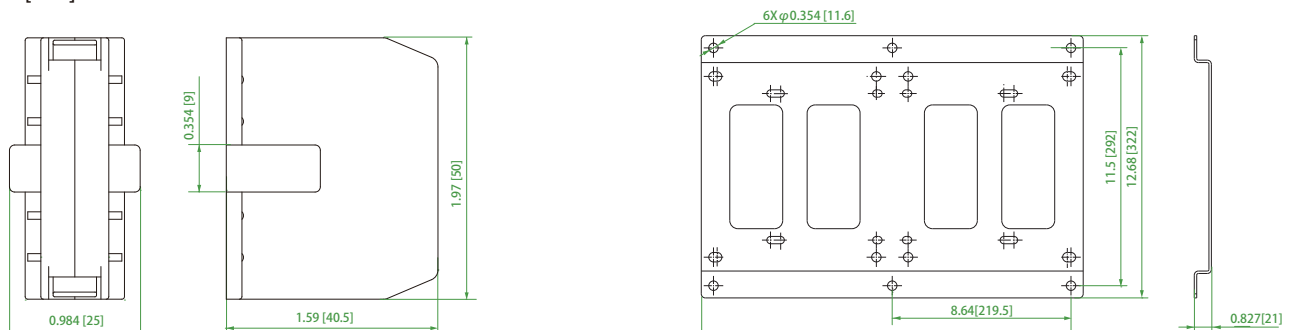
MIT45
Mechanical Interlock Kit
Unit: in [mm]



MIT46
Mechanical Interlock Kit
Unit: in [mm]



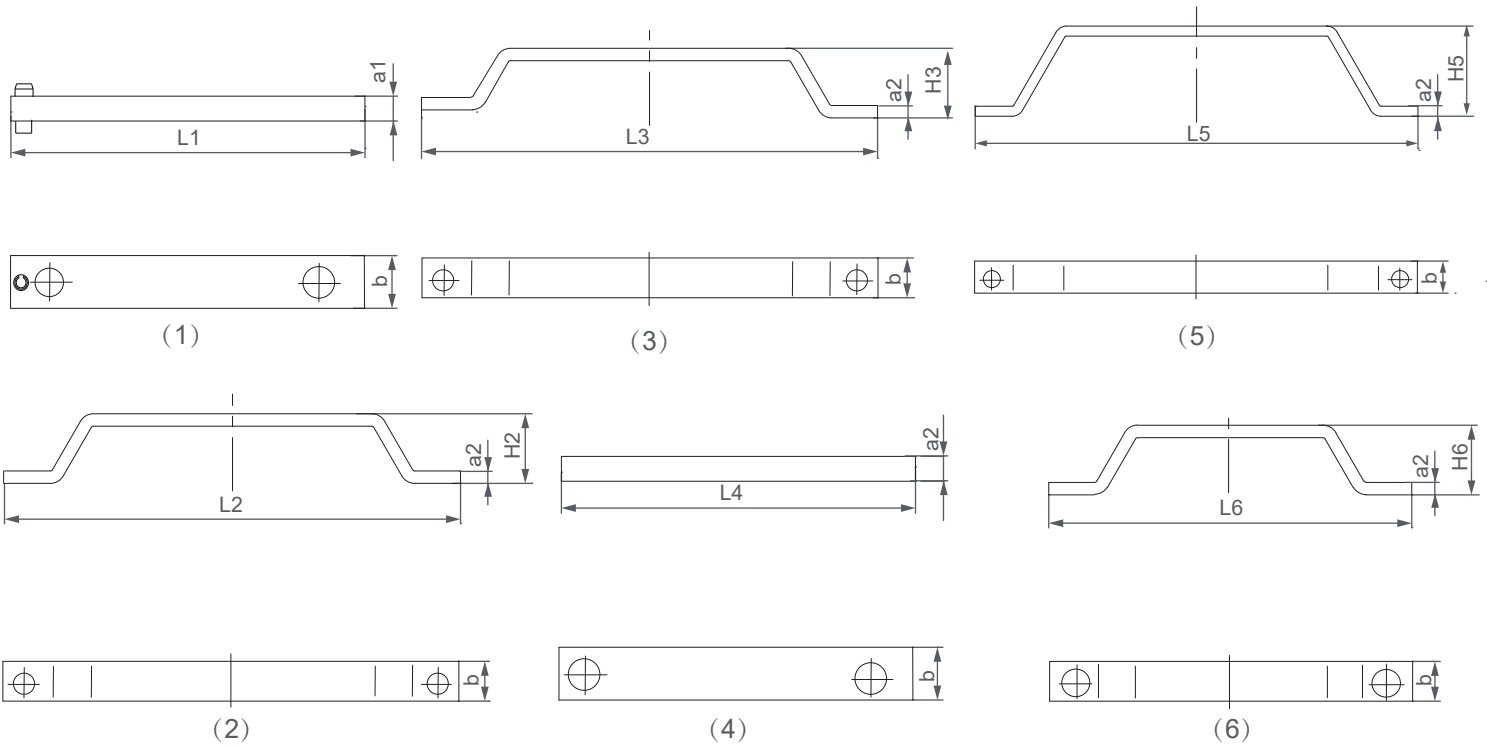
MIT47
Mechanical Interlock Kit
Unit: in [mm]



IEC Contactors

Ex9CS/C Accessory Dimensions

PCL185/300/500
Power Connection Kit
Unit: in [mm]



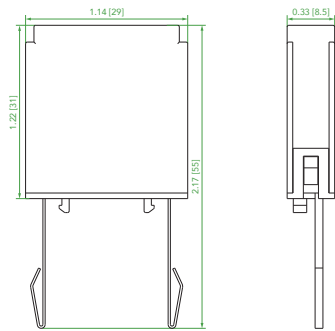
Code \ TYPE	a1	a2	b	L1	H2	L2	H3	L3	L4	H5	L5	H6	L6
PCL185	0.197 [5]	0.197 [5]	0.63 [16]	2.13 [54]	0.906 [23]	7.22 [183.4]	1.1 [28]	7.22 [183.4]	2.8 [71.2]	1.77 [45]	8.7 [221]	1.1 [28]	5.75 [146]
PCL300	0.236 [6]	0.236 [6]	0.984 [25]	2.83 [72]	1.26 [32]	8.94 [227]	1.65 [42]	8.94 [227]	3.27 [83]	1.97 [50]	10.83 [275]	1.26 [32]	7.05 [179]
PCL500	0.236 [6]	0.315 [8]	0.984 [25]	2.83 [72]	1.34 [34]	9.53 [242]	1.73 [44]	9.53 [242]	3.86 [98]	2.05 [52]	11.42 [290]	1.34 [34]	7.64 [194]

IEC Contactors

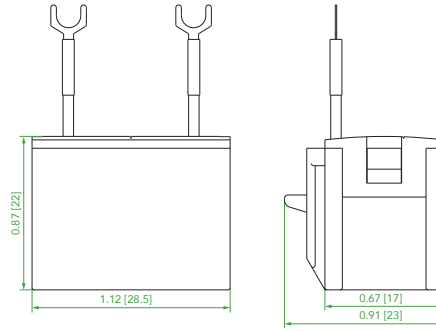
Ex9CS/C Accessory Dimensions

CCU4 Surge Suppressor Block

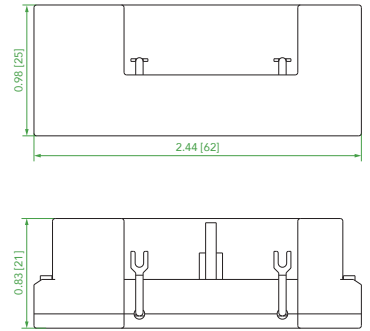
Unit: in [mm]



CCU41



CCU42

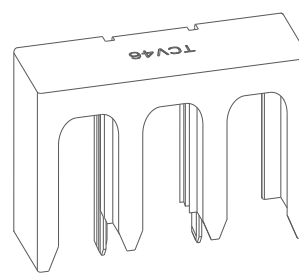
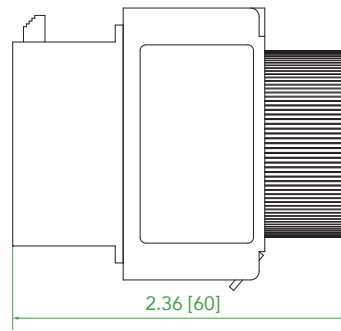
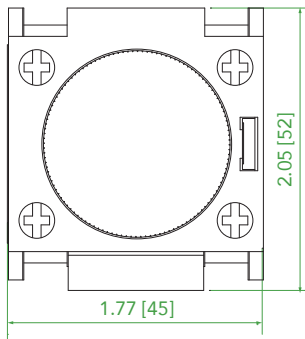


CCU43

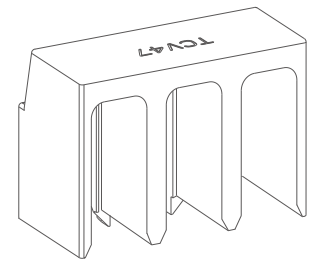


AXC Time Delay Relay

Unit: in [mm]



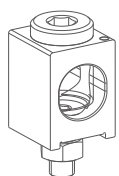
TCV46



TCV47

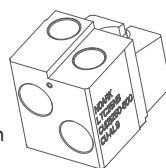
LTC Terminal Lugs

Unit: in [mm]



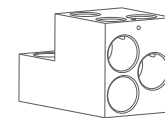
LTC46NA1

1-Hole
75/90°C
Al/Cu Wire Only
3AWG~350kcmil
3AWG~2/0AWG 124lb-in/14N·m
3/0AWG~350kcmil 213lb-in/24N·m



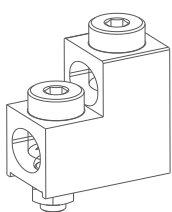
LTC25NB

2-Holes
75/90°C
Al/Cu Wire Only
(2)250kcmil-600kcmil
398 lb-in/pulg/po
(2)120-300mm2
45N·m



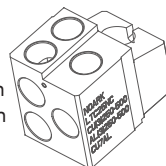
LTC26NC

3-Holes
75°C/90°C
Al/Cu Wire
(3)3/0AWG-750kcmil
310 lb-in/pulg/po
(3)95-300mm2
35N·m



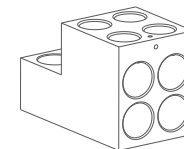
LTC47NB2

2-Holes
75/90°C
Al/Cu Wire Only
2/0AWG~500kcmil
2/0AWG~250kcmil 195lb-in/22N·m
300kcmil~500kcmil 310lb-in/35N·m



LTC25NC

3-Holes
75/90°C
Al/Cu Wire Only
(3)250kcmil-500kcmil
398 lb-in/pulg/po
(3)120-240mm2
45N·m



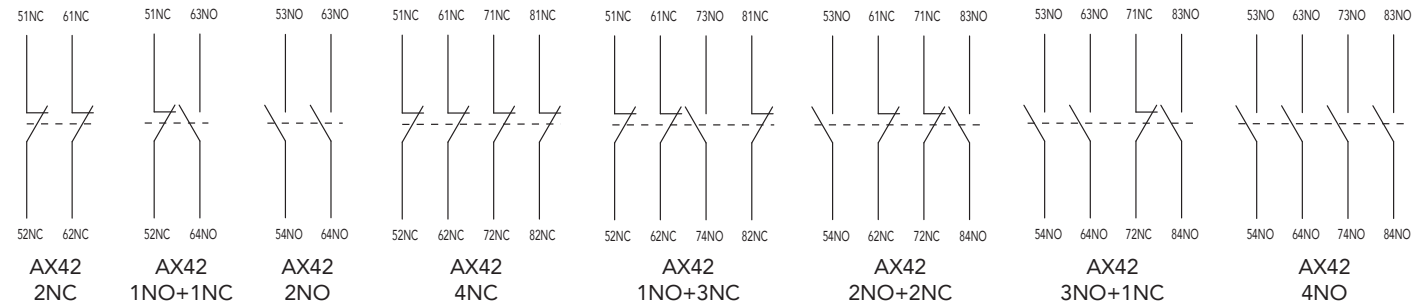
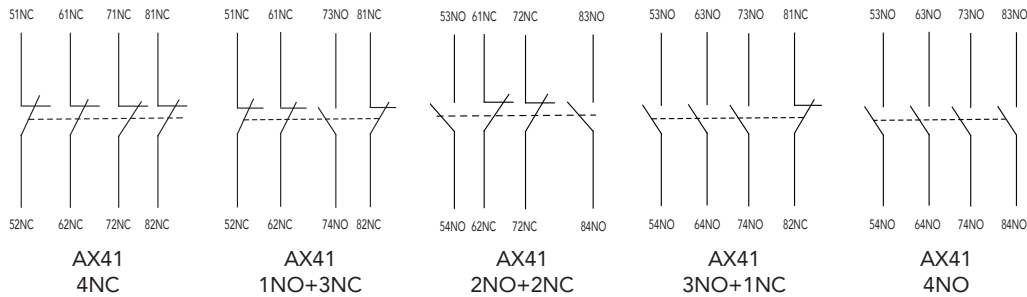
LTC26ND

4-Holes
75°C/90°C
Al/Cu Wire
(4)3/0AWG-500kcmil
310 lb-in/pulg/po
(4)95-240mm2
35N·m

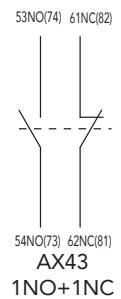
IEC Contactors

Ex9CS/C Accessory Wiring Diagrams

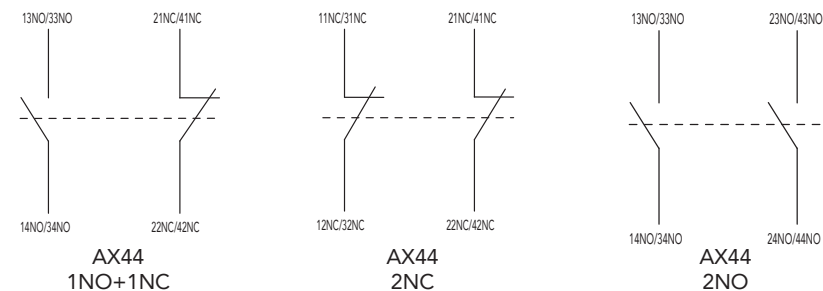
AX41/42 Front Mount Auxiliary Contact



AX43 Side Mount Auxiliary Contact



AX44 Side Mount Auxiliary Contact

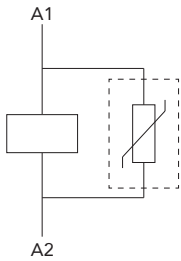


IEC Contactors

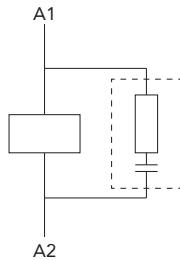
Ex9CS/C Accessory Wiring Diagrams

CCU4

Surge Suppressor Block



CCU41

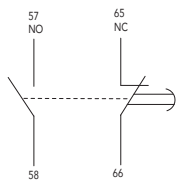


CCU42
CCU43

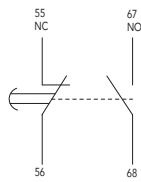
A

AXC

Time Delay Relay



AXCD



AXCT

NOARK®

NOARK Electric North America
(626) 330-7007

na.noark-electric.com • nasales@noark-electric.com



Note: NOARK Electric reserves the right to make technical changes or modify the contents of this document without prior notice. With regard to purchase orders, the agreed particulars shall prevail. NOARK Electric does not accept any responsibility whatsoever for potential errors or possible lack of information in this document. NOARK Electric reserves all rights in this document and in the subject matter and illustrations contained therein. Any reproduction, disclosure to third parties or utilization of its contents – in whole or in parts – is forbidden without prior written consent of NOARK Electric.