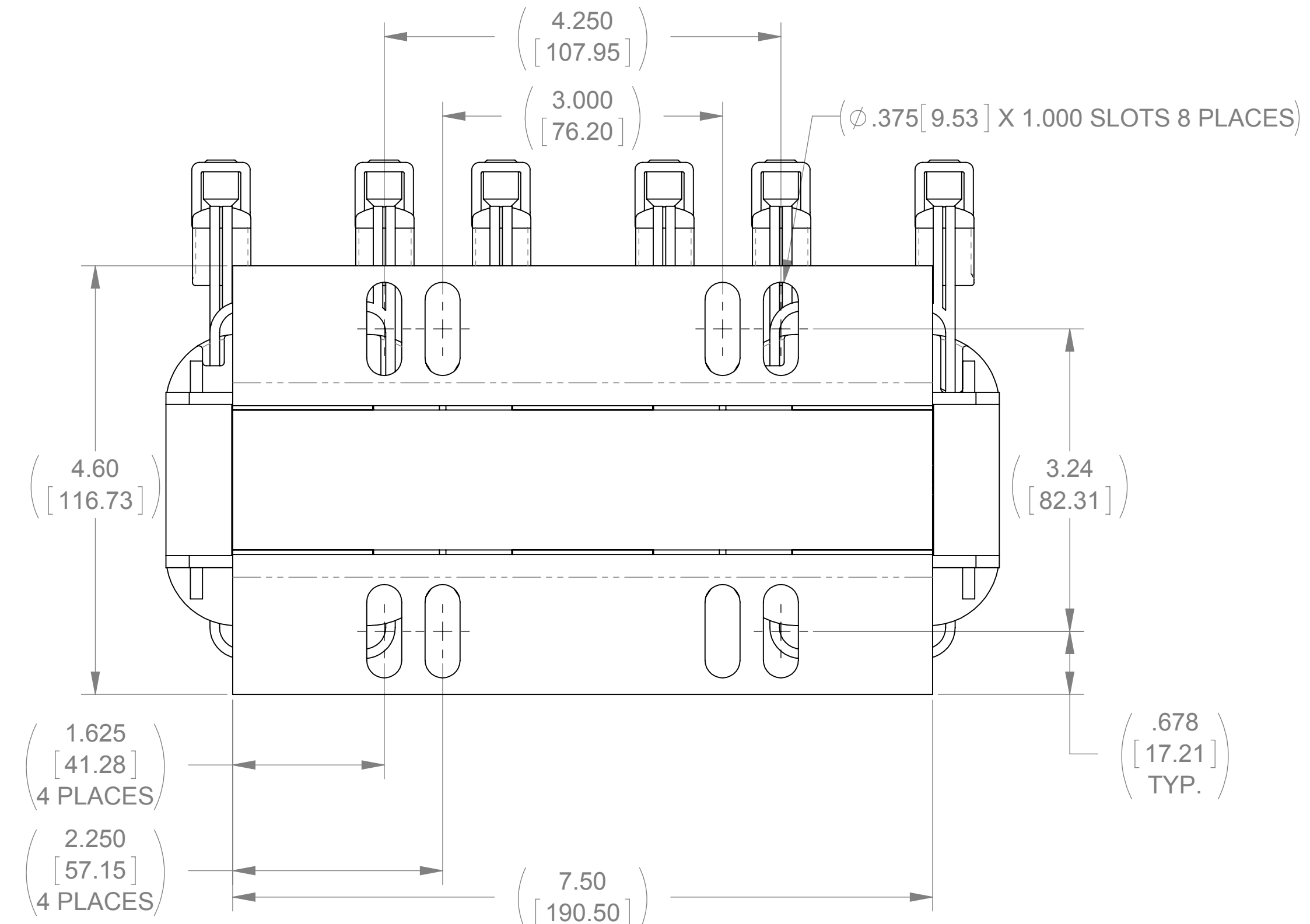
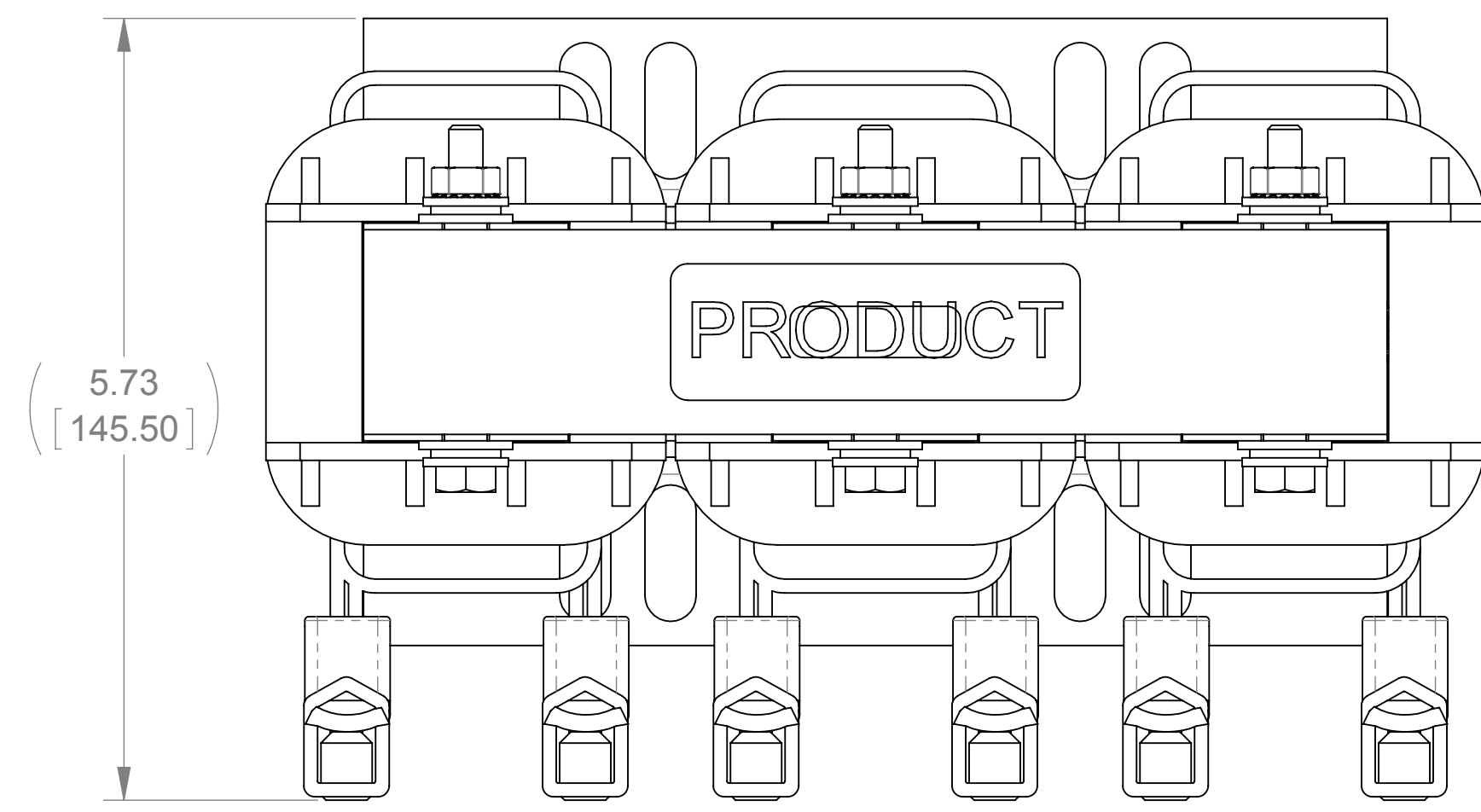
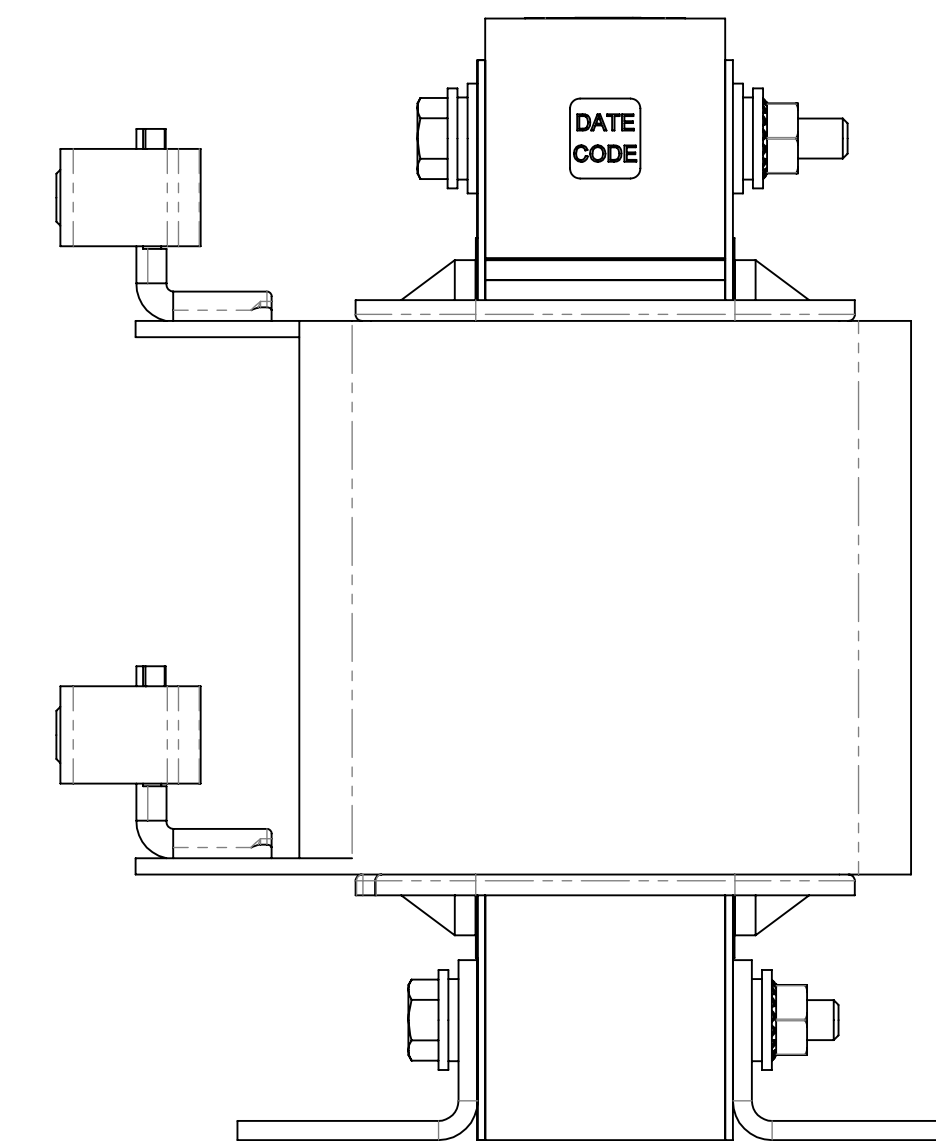
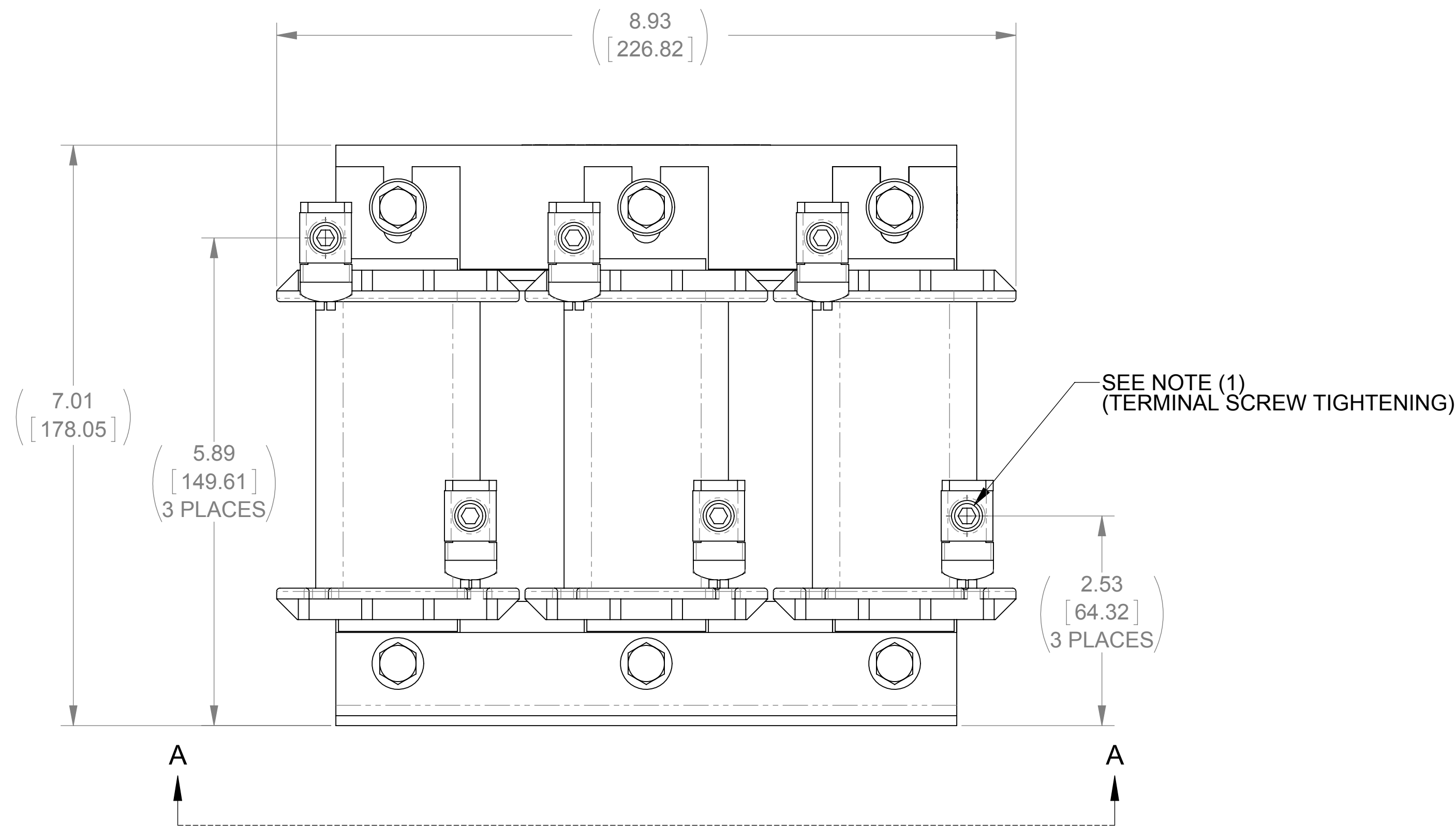


WEIGHT (LBS)	INDUCTANCE	LOSS (WATTS)
26	0.64mH	215

ECO No	DESCRIPTION	REV BY	DATE
M8240	REDRAW IN SOLIDWORKS	JP	10/12/12



VIEW A-A



NOTES:

- TERMINAL SCREW TIGHTENING TORQUE:
  - 6 - 4 (45) in-lbs MAX
  - 2 - 0 (50) in-lbs MAX
- WIRE RANGE: 6 - 0 AWG

<p>THE COMPONENT, PART OR ASSEMBLY DESCRIBED IN THIS DOCUMENT MUST COMPLY WITH THE EU (EUROPEAN UNION) DIRECTIVE RoHS</p> <p>CONTAINS &lt;0.1% OF ANY SVHC BY WEIGHT PER REACH REGULATION</p> <p>UNLESS OTHERWISE SPECIFIED DIMENSIONS ARE IN INCHES [MM] TOLERANCES ARE:</p> <p>ANGLES: ± 1°</p> <p>1 PLACE .X: ± .1 [2.5]</p> <p>2 PLACE .XX: ± .03 [0.76]</p> <p>3 PLACE .XXX: ± .010 [0.254]</p>		<p>MATERIAL</p>	<p>CONFIDENTIAL AND PROPRIETARY INFORMATION</p> <p>THIS DOCUMENT CONTAINS CONFIDENTIAL AND PROPRIETARY INFORMATION OF MTE CORPORATION AND MAY NOT BE USED, COPIED OR DISCLOSED TO OTHERS EXCEPT WITH THE AUTHORIZED WRITTEN PERMISSION OF MTE CORPORATION</p>													
<p><b>MTE</b></p> <p>AN BL POWER ELECTRONICS COMPANY</p> <p>N83 W13330 Leon Road Menomonee Falls, WI 53051 USA 800.455.4683 262.253.8200</p>		<table border="1"> <tr> <td>DRAWN</td> <td>DATE</td> </tr> <tr> <td>BF</td> <td>02/06/09</td> </tr> <tr> <td>CHECKED</td> <td>DATE</td> </tr> <tr> <td>TM</td> <td>10/22/12</td> </tr> <tr> <td>APPROVED</td> <td>DATE</td> </tr> <tr> <td>TM</td> <td>10/22/12</td> </tr> </table>	DRAWN	DATE	BF	02/06/09	CHECKED	DATE	TM	10/22/12	APPROVED	DATE	TM	10/22/12	<p>DESCRIPTION</p> <p>3 PHASE REACTOR</p>	
DRAWN	DATE															
BF	02/06/09															
CHECKED	DATE															
TM	10/22/12															
APPROVED	DATE															
TM	10/22/12															
		<table border="1"> <tr> <td>SIZE</td> <td>DWG No.</td> <td>REV</td> </tr> <tr> <td>D</td> <td>CD RLW-006505</td> <td>03</td> </tr> </table>	SIZE	DWG No.	REV	D	CD RLW-006505	03								
SIZE	DWG No.	REV														
D	CD RLW-006505	03														
		<table border="1"> <tr> <td>SCALE</td> <td colspan="2">SHEET 1 OF 1</td> </tr> <tr> <td>5:6</td> <td colspan="2"></td> </tr> </table>	SCALE	SHEET 1 OF 1		5:6										
SCALE	SHEET 1 OF 1															
5:6																