

GlobalTRAN™



GlobalTRAN® products carry the CE mark, certifying 100% compliance with IEC requirements for Non-Short Circuit Proof Isolating Transformers. GlobalTRAN control transformers feature touch-proof terminals, utilizing either Micron's SafeTouch terminal covers or a touch-proof terminal block, and meet true IP-20 or IP-00 terminal protection ratings as defined by IEC-529.

GlobalTRAN is the most reliable and versatile control transformer in the industry today.

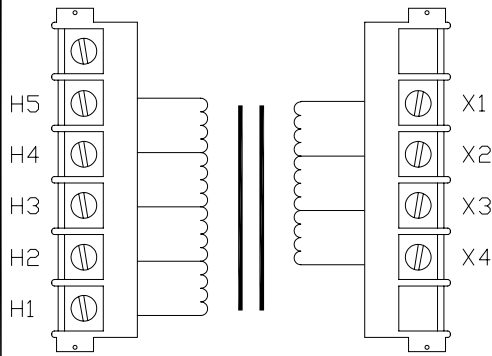
- Carries the CE mark
- Epoxy encapsulated coils
- 20-year warranty, double the industry standard
- SafeTouch terminals for additional safety
- Optional integral primary and/or secondary fusing
- 10-32 screw terminals, molded terminal barriers
- Molded-in terminals and phil-slot screws



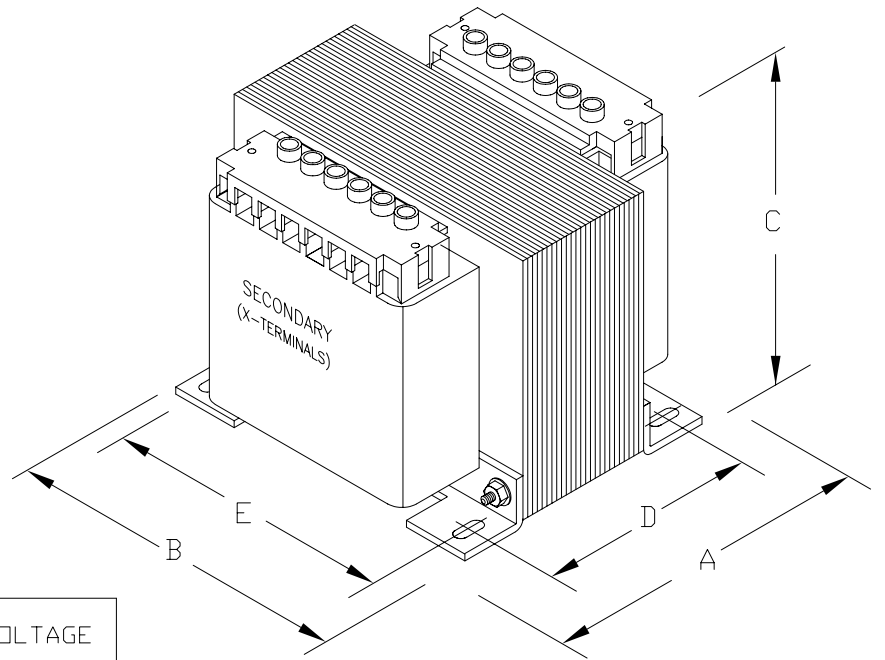
If you have any questions or we can be of any assistance in helping you determine your transformer requirements, please call our Technical Support Group at:

1-800-664-4660

www.microntransformers.com



CONNECTION DIAGRAM



CONNECTION TABLE

INPUT VOLTAGE				OUTPUT VOLTAGE		
H1-H2	H1-H3	H1-H4	H1-H5	X1-X2	X1-X3	X1-X4
208			500	85	100	110
220	380	440	550	91	110	120
230	400	460	575	95	115	125
240	416	480	600	99	120	130

PROVIDED WITH SAFE TOUCH TERMINAL COVERS
NO INTEGRAL FUSING CAPABILITY.

DIMENSIONS							APPROX. WT. LBS (KG)
	A	B	C	D	E	MTG. SLOTS	
INCHES (MM)	7.63 (194)	9.00 (229)	8.00 (203)	4.81 (122)	7.50 (191)	0.440X0.910 (11.2X23.0)	



MICRON INDUSTRIES CORPORATION
777 CHURCH ROAD - ELMHURST, IL 60126
Tel. (800) 664-4660, (630) 516-1222 Fax (630) 516-1820
www.MicronTransformers.com

CAT. NO.	B2K0-2290-GAH		CONST. ENCAPSULATED				UL LISTED
			MODEL GLOBALTRAN				
RATING							SF CERTIFIED
OUTPUT AMPS	15.38	PRIMARY V	240/416/480/600, 230/400/460/575, 220/380/440/550, 208/500		TEMP. CLASS	HZ 50/60	
VA	2000	SECONDARY V	99/120/130, 95/115/125, 91/110/120, 85/100/110		180°C	REVISION G	CE IEC 61558