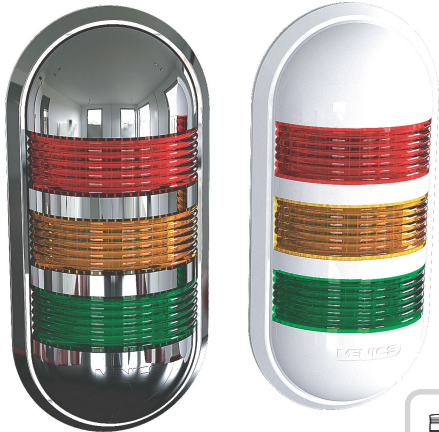


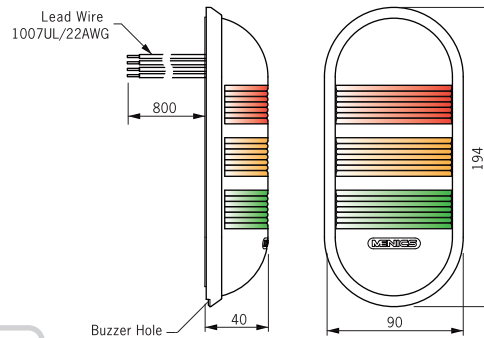
PWE Series Slim LED Wall Mount Signal Light



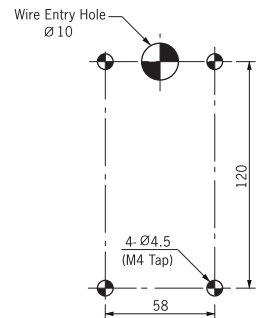
Ultra-Slim Signal Lights that offer seamless integration with equipment.



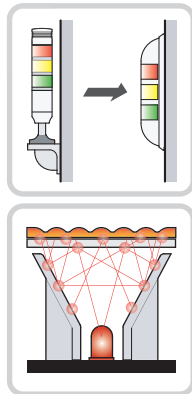
Dimensions < unit: mm >



Mounting Holes

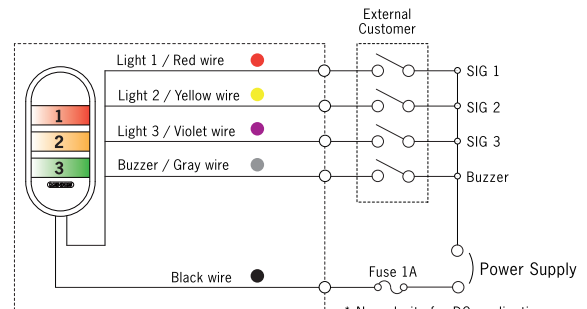


- Slim Profile Wall Mount
- Easy Mounted vertically and horizontally
- Equivalent brightness in every angle
- Steady and flashing lights
- Vibration and moisture resistant
- Chrome is also available as special order



Wiring Diagram

24V AC/DC , 12V AC/DC Steady Lights (with Buzzer)



Ordering Information

PWE C F - 302 - RYG
① ② ③ ④ ⑤

1. Body Color

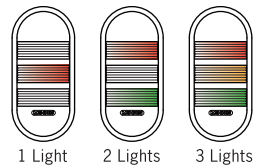
	White Ivory (Beige)
C	Chrome Painting

2. Light Style

	Steady
F	Steady + Flashing
B	Steady + Buzzer
Z	Steady + Flashing + Buzzer

3. Number of Stacks

1	1 Light
2	2 Lights
3	3 Lights

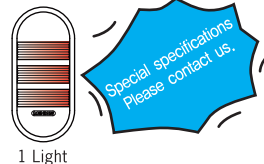


4. Power Supply

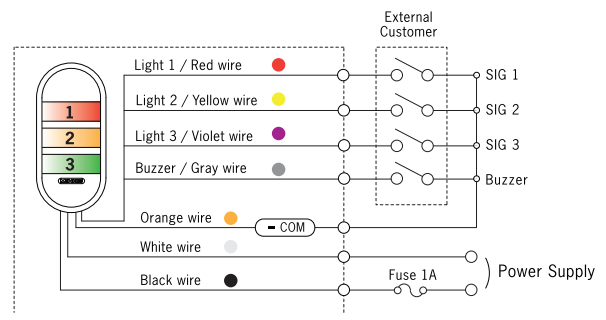
O1	12V AC/DC
O2	24V AC/DC
FF	90~240V AC (50/60Hz)

5. LED Colors (Top to bottom)

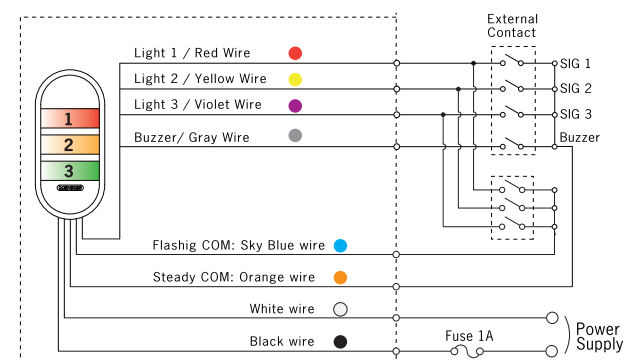
R	Red	B	Blue
Y	Yellow		
G	Green		



90 ~ 240V AC Steady Lights (with Buzzer)



24V AC/DC , 12V AC/DC , 90~240V AC Steady & Flashing Lights (with Buzzer)



Specifications (Maximum current consumption when LED is lit.)

Power Supply	12V	24V	90~240V AC	Buzzer
Current Draw	Red LED	55 mA	70 mA	10~50 mA 24V, 90~240V AC 30mA
	Yellow LED	55 mA	75 mA	
	Green LED	60 mA	90 mA	
	Blue LED	60 mA	85 mA	
Flashing rate	80times/minute ±10%			12V
Sound Level	80±5dB (at 1m)			200mA
Approvals	UL, RoHS			
Degree of Protection	IP-65 / IP-52 (with Buzzer style)			