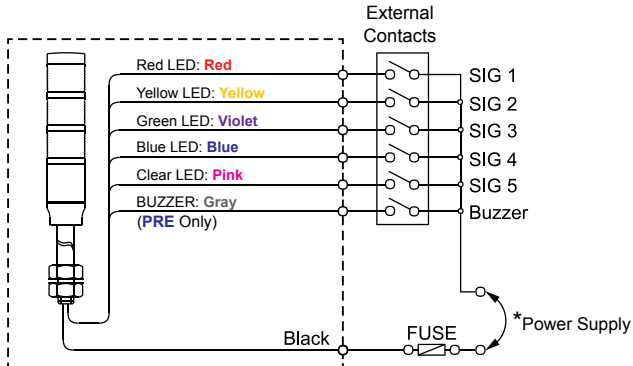


PRE / PME / PLD Wiring Diagram

Steady Lights

DC/AC 12V

PRE-01-00000
PME-01-00000
PLD-01-00000

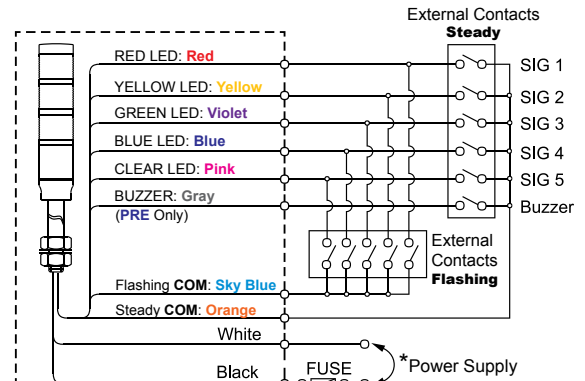


* No polarity for DC applications.

Steady & Flashing Lights

DC/AC 12V

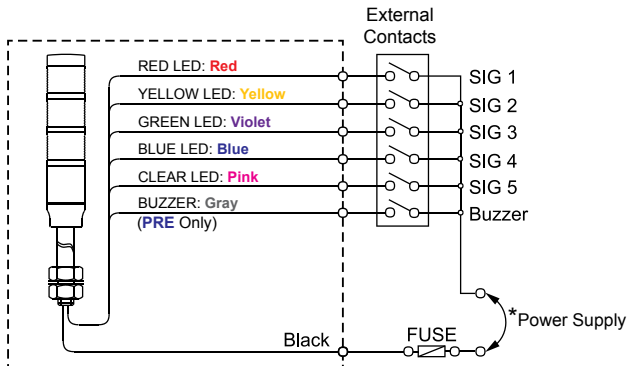
PREF-01-00000
PMEF-01-00000
PLDF-01-00000



* No polarity for DC applications.

DC/AC 24V

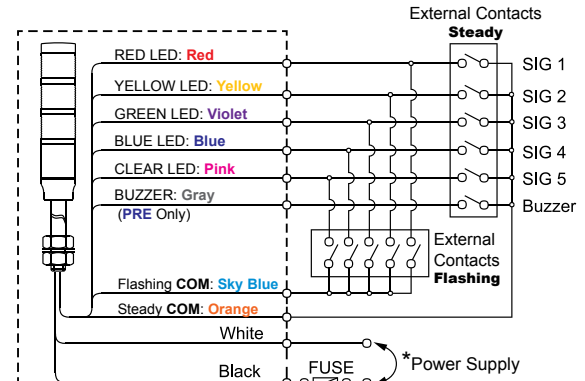
PRE-02-00000
PME-02-00000
PLD-02-00000



* No polarity for DC applications.

DC/AC 24V

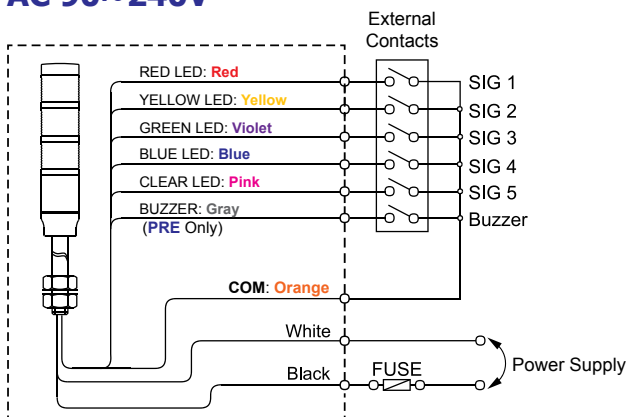
PREF-02-00000
PMEF-02-00000
PLDF-02-00000



* No polarity for DC applications.

AC 110V
AC 220V
AC 90~240V

PRE-10-00000
PRE-20-00000
PME-FF-00000



AC 110V
AC 220V
AC 90~240V

PREF-10-00000
PREF-20-00000
PMEF-FF-00000

