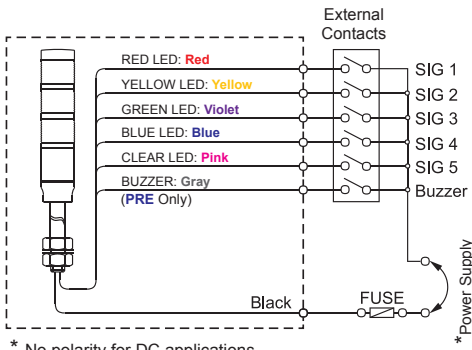
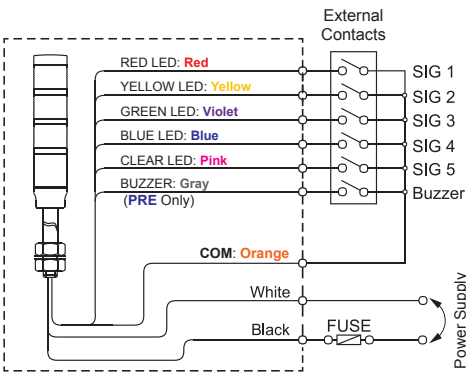


## Wiring Diagram

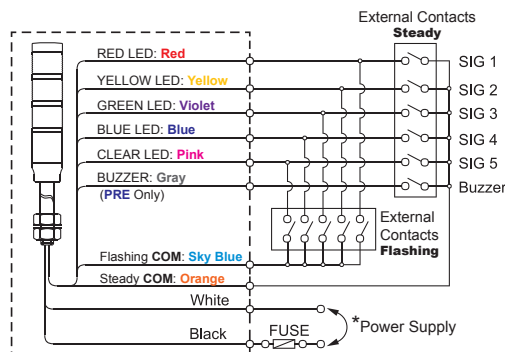
### 12V & 24V AC/DC Steady Lights



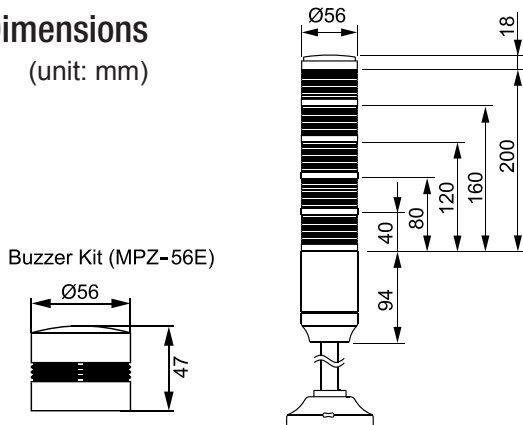
### 90-240V AC Steady Lights



### 12V & 24V AC/DC, 90-240V AC Steady & Flashing Lights



## Dimensions (unit: mm)



## PRE Series

Ø56mm LED Steady & Flashing lights with buzzer



## Ordering Information

PRE F - 5 01 RYGBC  
① ② ③ ④

① Light style	F	Steady
		Steady + Flashing
② Number of Stacks	1	1 Light
	2	2 Lights
	3	3 Lights
	4	4 Lights
	5	5 Lights
③ Power Supply	01	12VAC/DC
	02	24VAC/DC
	10	110VAC
	20	220VDC
④ Lens Colors (top to bottom)	R	Red
	Y	Yellow
	G	Green
	B	Blue
	C	Clear

## Specifications

Size	56mm diameter			
Maximum tier	5 stack (max tier should include buzzer)			
Power Supply	12V AC/DC	24V AC/DC	110/220V AC	
	R	54mA	28mA	25mA
Current Draw	Y	109mA	62mA	57mA
	G	169mA	102mA	91mA
	B	223mA	136mA	124mA
	C	275mA	169mA	155mA
	Buzzer	30 mA		
Degree of protection	IP56 (IP40 with buzzer)			
Insulation resistance	100MΩ minimum (500VDC mega)			
Sound Level	80 ± 5dB at 1 meter			
Flashing rate	Approx. 80 ± 5 flashes/min.			
Ambient Temp.	-15°C~40°C			
Storage Temp.	-15°C~40°C			
Vibration	Operating extremes: 10~55Hz, amplitude 0.75mm			
Lens material	PC Plastic			
Recommended Wire Size	1007 UL / 22 AWG			

## Replacement Parts

Part	Part number	Power supply
Buzzer	MPZ-56E	24~240VAC/DC
LED	PRE-02-□	24~240VAC/DC
	PRE-01-□	12VAC/DC
Lens	PRE-□	N/A

(□): indicates color of LED or Lens; R, Y, G, B or C