



# M Series

Light Duty Foot Switches

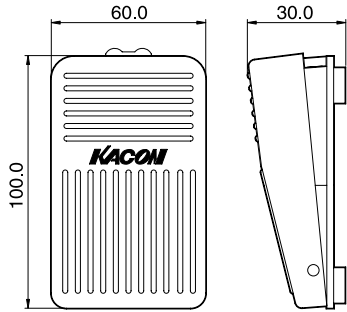
## Specifications

	M1	M2	M3	MX1	MD1	MD2	MD23	MD3	MD4	M5	M8	M52	M6
Contact	SPDT (1a + 1b)											2SPDT(2a + 2b)	
Regular Voltage	10A 250VAC												
Built-in Switch	V type micro switch (UL, CUL, VDE, CE Certified) + 24K gold plated												
Body Material	Plastic		Steel		Aluminum Die cast					Plastic			
Function	Momentary						Maintained		Momentary				
Degree of Protection	IP54										IP67	IP68	IP67
Cable	0.75 mm <sup>2</sup> x 3 line cables x 2 m												

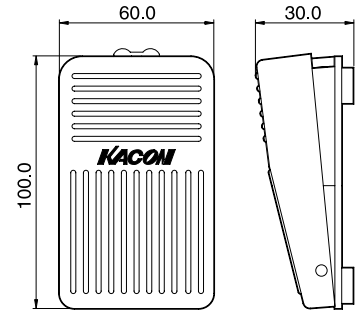
## Plastic Housing (Unit: mm)



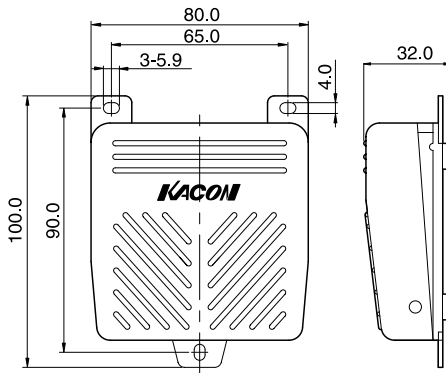
**HRF-M1Y**  
100.0 X 60.0 X 30.0



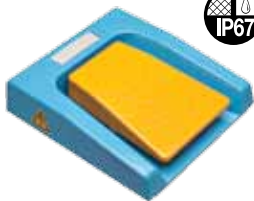
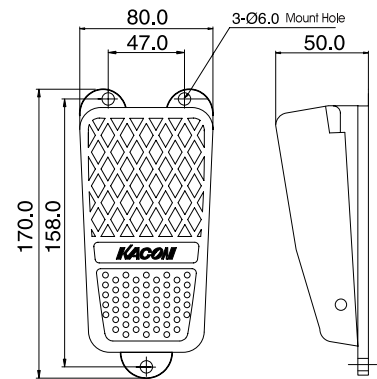
**HRF-M1G**  
100.0 X 60.0 X 30.0



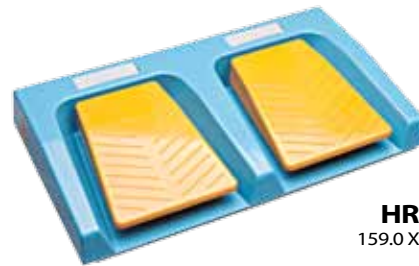
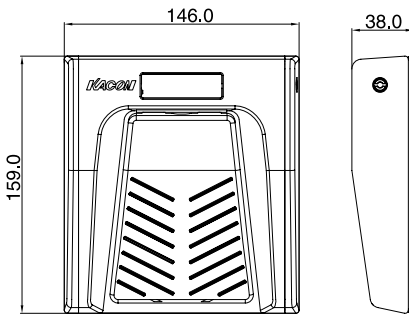
**HRF-M2**  
85.0 X 80.0 X 32.0



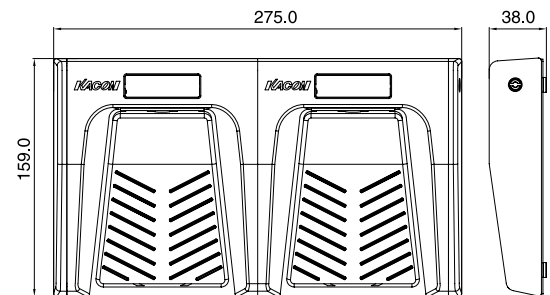
**HRF-M3**  
170.0 X 80.0 X 50.0



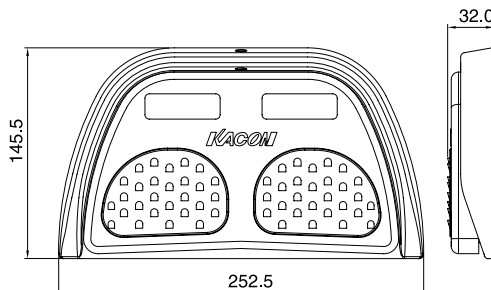
**HRF-M5**  
159.0 X 146.0 X 38.0



**HRF-M52**  
159.0 X 275.0 X 38.0



**HRF-M6**  
145.0 X 252.5 X 32.0



AmeriMation

Tower Lights

Beacon Lights

LED Indicators Pilot Lamps

Buzzer Alarms

Pushbutton Switches

Limit Switches

Foot Switches

SSR

Relay & Sockets

Relay Terminal Blocks

Terminal Blocks

Fuse Holders

Enclosures

H2

# Metal Housing

(Unit: mm)

