

### Installation Instruction for MPZ56, 85 Buzzer Kit

**Warning :** Risk of electrical shock, live voltage may be present.  
Review these instructions before proceeding with installation.

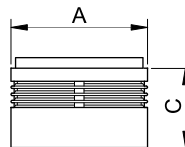
#### Note

1. De-energize the Light Tower power source. Isolate the power source from the Light Tower assembly.
2. Verify that the Power Source is De-energized and isolated from the Light Tower.
3. Do not operate this device at any voltage other than the voltage identified on the name plate.
4. The Tower Light is UL listed for NEMA types 1, 12, and 3R.  
Towers Light with Buzzer Kit (MPZ) are NEMA type 1 only.
5. Use only replacement parts supplied by Autonics.
6. Do not pull on wires.
7. Lenses are HOT when Tower Light is energized. DO NOT TOUCH.

#### ◆ Buzzer Kit Includes.

1. BUZZER COVER	1PCS
2. BUZZER BASE	1PCS
3. SCREW	2PCS

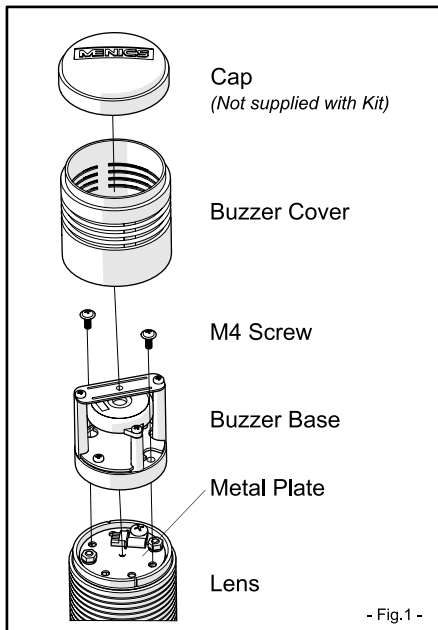
#### ◆ Buzzer Kit Dimension



( Unit : Inch )

Catalog no.	A	C	Voltage
MPZ 56A	2.21"	1.89"	24V AC/DC
MPZ 58B			120V AC
MPZ 56C			240V AC
MPZ 85A	3.39"	1.97"	24V AC/DC
MPZ 85B			120V AC
MPZ 85C			240V AC

#### ◆ Assembly 56, 85mm Buzzer Kit



- Fig.1 -

1. Remove the Cap of the Tower Light by turning it counter clockwise.
2. Pass the Buzzer Connector through the hole of the Buzzer Base as shown in Fig.1 (You must remove the Screw and Clamp that holds the Buzzer Connector to the Metal Plate).
3. Mount the Buzzer Base to the Metal Plate using Screws provided.
4. Attach the Buzzer Connector to the mating Connector on the Buzzer Base.
5. Install the Cap on the Buzzer Cover by turning clockwise.

