



# MS70M Series

D70mm Multicolored LED Signal Light

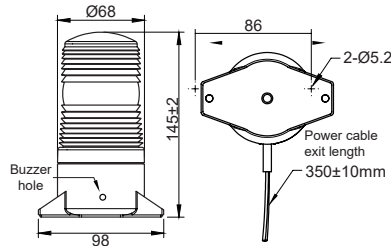
- Up to 7 color combinations available
- Three Mounting Options
- Two lens options for clear or softer view
- IP65 (buzzer type -IP50)



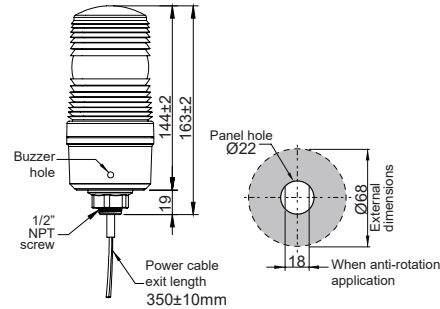
## Dimensions

unit: mm

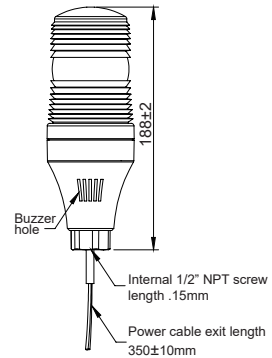
### G type Surface Mounts



### M type Direct Mounts



### P type Pole Mounts



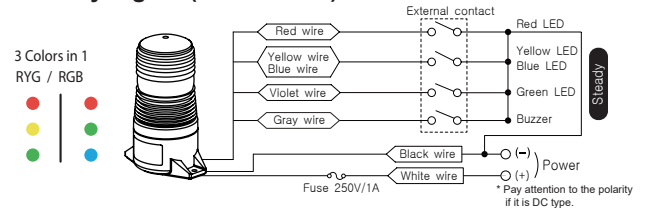
## Specifications

Function	Steady, Flashing, Buzzer	
Power Supply	12 ~ 24VDC, 110 ~ 220VAC(AC 50/60Hz)	
Alarm Sound Level	min 50 ~ max 75±5dB	
Dimension	68mm	
Lens Color	Clear / Milky white	
Flashing rate	12VDC : 65±5 times per minute 24VDC : 60±5 times per minute 110~220VAC : 70±5times per minute	
Current consumption	LED Steady 12~24VDC: 0.22A 110~220VAC: 0.04~0.06A	LED Steady +Buzzer 12~24VDC: 0.26A 110~220VAC: 0.05~0.06A
Connection	UL1007/22AWG	
Material	Body - ABS resin Lens - PC resin	
Ambient temperature	-20 to 50°C	
Storage ambient temperature	-20 to 70°C	
Ambient Humidity	45~85% RH	
Insulation resistance	500VAC 50 / 60Hz for 1 minute	
Vibration	10 to 55Hz (cycle 1 minute) Amplitude 0.75mm X, Y, Z 1 hour in each direction	
Approval	RoHS	
Protection structure	IP65 (IP50-Buzzer type)	
Weight (DC type)	G type: app.196g M type: app.195g P type: app.198g	

## Wiring Diagram

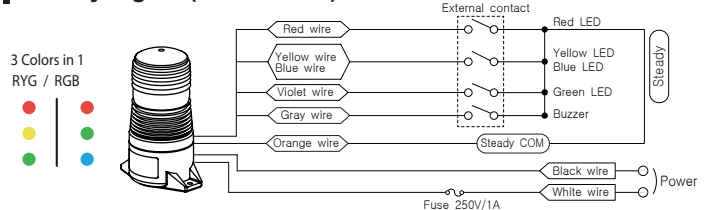
### 12~24VDC

#### Steady Lights (with Buzzer)



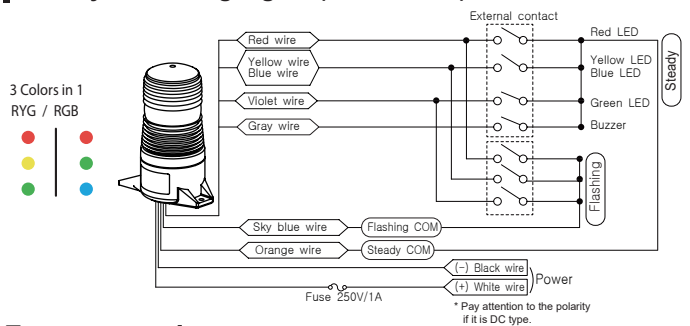
### 110~220VAC

#### Steady Lights (with Buzzer)

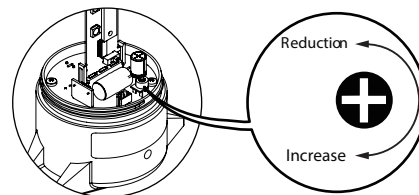


### 12~24VDC , 110~220VAC

#### Steady & Flashing Lights (with Buzzer)



## Feature settings



▶ Adjusting of buzzer sound  
Min 50 ~ Max 75±5dB

See page B1 - B2  
for mounting options  
and accessories

## Ordering Information

MS70M - ① ② ③ - ④ ⑤

① Mounting Type	<b>G</b>	Surface Mounting
	<b>M</b>	Direct mounting
	<b>P</b>	Pole mounting
② Light Style	<b>F</b>	Steady & Flashing
	<b>B</b>	Steady & Buzzer
	<b>Z</b>	Steady & Flashing & Buzzer
③ Power Supply	<b>00</b>	12~24VDC
	<b>FF</b>	110~220VAC
④ LED Colors	<b>RBG</b>	Red & Blue & Green
	<b>RYG</b>	Red & Yellow & Green
⑤ Lens Colors	<b>No Mark</b>	Clear lens
	<b>M</b>	Milky lens

\* Life of the LED varies according to operating conditions and environment.