

70mm Compact LED Flashing Light MS70LT series

Product Features

MS70LT Series flashing light offer a high quality yet economical lighting solution specifically intended for use in material handling and other electric vehicle applications. These lights are ideal for a broad range of industrial type purposes.

- Compact and high brightness LED flashing light
- Three mounting specifications
- Two flashing patterns can be easily changed (built-in slide switch)
- Rugged glass filled nylon base and polycarbonate lens
- High degree of protection IP65 construction (buzzer type -IP50)

User Manual

Thank you for purchasing Menics product. For the proper and safe use of this product, please read and fully understand this manual before use.

Instructions for safety

- * 'Instruction for safety' is made to prevent accidents or risks in advance by using the product safely and correctly and be sure to observe it.
- * Instructions are divided into two categories as "Warning" and "Attention" and they are as follows.

Warning If instruction is violated, there is the possibility of serious injury or death.

Attention If instruction is violated, there is possibility of minor injury or damage on the product.

- * The meaning of the picture symbols used in the product and User manual are as follows.

Warning is the sign meaning attention needs to be paid because there is the concern of risk occurrence under certain condition.

Warning

- In case it is used for the machines which make greater impact on life or property (e.g. nuclear power control, medical equipment, railroad car, aerospace, combustion equipment, recreation equipment, etc. or safety devices), make sure to attach safety device bifuriously before use.
There is the possibility of causing huge losses resulted from fire, personal injury and property damage.
- Do not disassemble and renovate the product. Please contact the head office or regional office for internal inspection or repair.
There is the risk of causing fire, electrical shock and product damage.
- While power is on, do not make wiring, maintenance or repair.
There is the danger of electrical shock.
- Rated voltage range must be kept for the power input voltage.
There is the danger of fire or electric shock.
- Before power on, make sure to check whether connection is made correctly.
There is the danger of fire, electrical shock or product damage.
- Do not use the product in the area such as outdoor and explosion hazard, flammable gas, watery area, near to flammable material.
There is the danger of fire, electric shock or injury.

Attention

- Make sure that there is nothing blocking the flow of air circulating.
There is the danger of deformation and product damage caused by heat.
- When the product is in operation, do not touch the product for a while.
There is the danger of burn.
- In case abnormality happens to the product, unplug the input power connection immediately. There is the danger of fire or product damage.
- Do not use in places with severe vibration.
There is the danger of product damage.
- When cleaning, do not use water, organic solvent and clean with towel with out moisture.



Product model classification



1. Mounting style

MS70LT-G	Two surface mounts on the body ensure that the body is fixed directly to the control panel
MS70LT-M	Secure the product body directly onto the control panel (1/2" NPT) with a plastic nut
MS70LT-P	Aluminium pipe + Fixation using aluminum mounting base

2. Light style

F	Flashing
B	Flashing+Buzzer

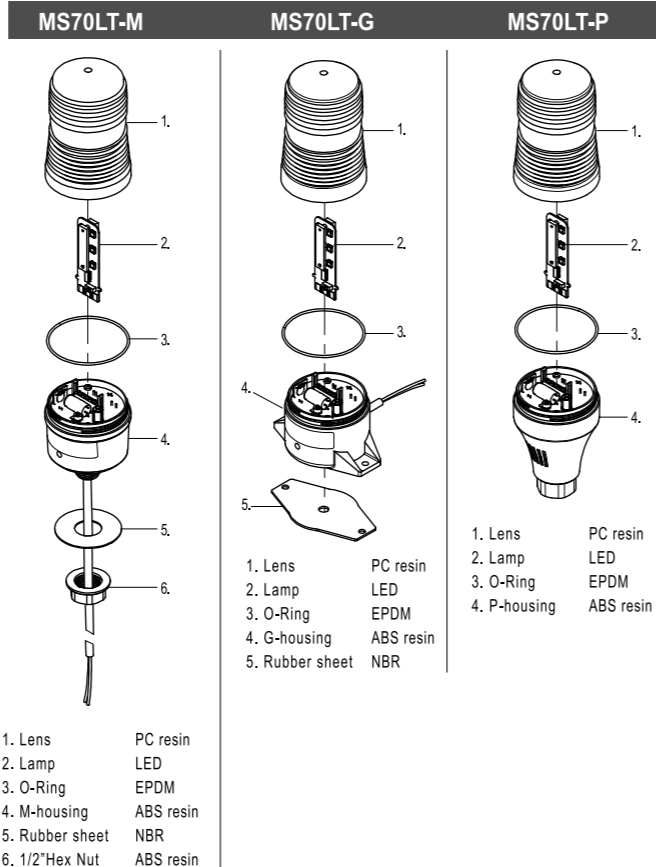
3. Power supply

00	12~24VDC
FF	110~220VAC

4. Lens color

R	red
Y	yellow
G	green
B	blue
C	Clear

Part name



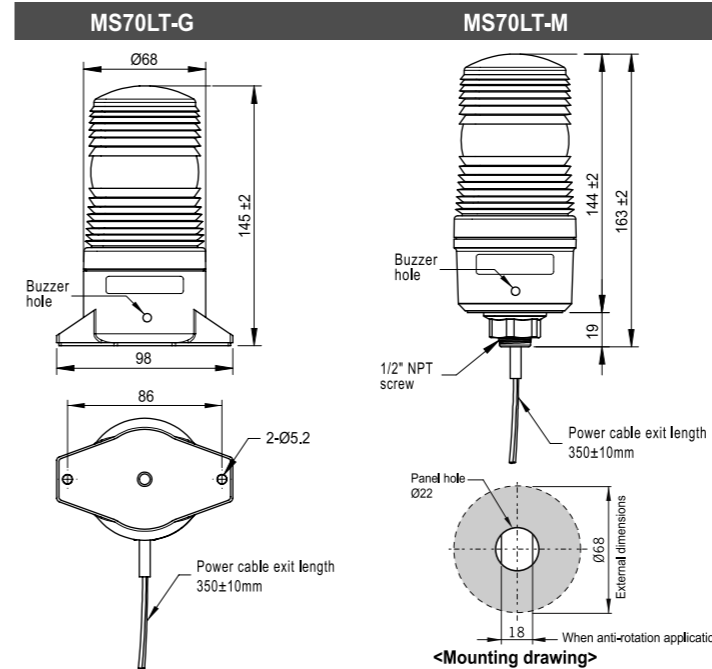
Specifications

Power supply	12V~24VDC , 110~220VAC(50/60Hz)	
Allowable voltage range	10.8V~26VDC , 100~230VAC	
Function	Normal flashing + 3 pattern flashing (Emergency signal) Buzzer: max 80±5dB	
Light source	LED	
Current consumption	Flashing type	Flashing + Buzzer type
	12~24VDC: 0.12~0.16A 110~220VAC: 0.04~0.05A	12~24VDC: 0.16~0.21A 110~220VAC: 0.05~0.06A
Flashing rate	Normal flashing type	3 pattern flashing (Emergency signal)
	75 ± 5 times per minute	130 ± 5 times per minute
Wire size	UL2464/18AWG , AWM, 2C, 300V	
Product color	Body - Black	
	Lens - red, yellow, green, blue, Clear	
Material	Body - ABS resin , Lens - PC resin	
Insulation resistance	100MΩ or more (500VDC Mega between all terminals and case)	
Withstand voltage	500VAC 50 / 60Hz for 1 minute	
Vibration	10 to 55Hz (cycle 1 minute) Amplitude 0.75mm X, Y, Z 1 hour in each direction	
Temperature	Ambinet temperature : -20 ~ 50°C	
	Storage ambient temperature : -20 ~ 70°C	
Ambient humidity	45~85% RH	
Protection structure	IP65 , IP50(Buzzer type)	
Approval	UL, CE(DC products only), RoHS	
Weight (DC type standard)	MS70LT-G: app.196g	MS70LT-M: app.195g MS70LT-P: app.198g

(Note) The lifetime of the LED depends on operating conditions and environme

Dimensions (unit: mm)

- There is no buzzer hole in the housing for the flashing type.



Accessory parts

Name: Aluminum mount base
Model: SAM-TP-1/2S

Product installation

- ! - Install the product vertically on the strong surface with little vibration.
- If it's possible, attach it to the metal surface such as panel for improving the reliability of the product.

MS70LT-G The model is designed to be mounted on a flat surface.

- Drill or punch out the holes marked on the mounting surface.
- Locate rubber gasket on mounting surface and set housing on top of gasket. Secure to mounting surface using Locking nut.
- Refer to wiring diagram for information on making electrical connections.

MS70LT-M Designed for mounting on flat surfaces or 1/2" NPT pipe (female thread).

● Pipe(Female screw) Mounting

- Fix the product by turning the product clockwise.
- Refer to wiring diagram for information on making electrical connections.

● Panel mounting

- Drill or punch out the holes marked on the mounting surface.
- Attach the rubber sheet to the bottom of the housing and insert the product at the top of the panel.
Tighten the supplied plastic locking nuts to secure the product.
- Refer to wiring diagram for information on making electrical connections.

MS70LT-P 1/2" NPT pipe (male thread) mounted.
Or on a flat surface using an accessory mount base sold separately.

● Pipe(Male thread) Mounting

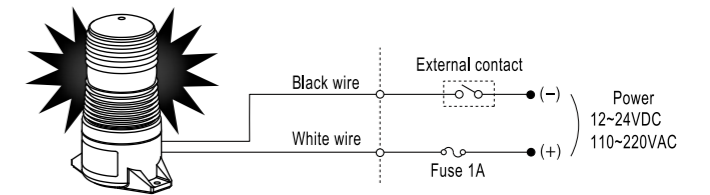
- Attach light to pipe by turning clockwise.
Use tool against wrench flats on conduit hub for final tightening.
- Refer to wiring diagram for information on making electrical connections.

● Panel mounting (mounting using mount base)

- hole with a diameter of 8 mm or more for inserting the power cord into the mounting surface and four holes having a diameter of 5.5 mm drill holes in. (Refer also to product dimension))
- Place the product on the mounting surface and secure the product with four M5 screws and locking nuts.
- Refer to wiring diagram for information on making electrical connections.

Wiring diagram

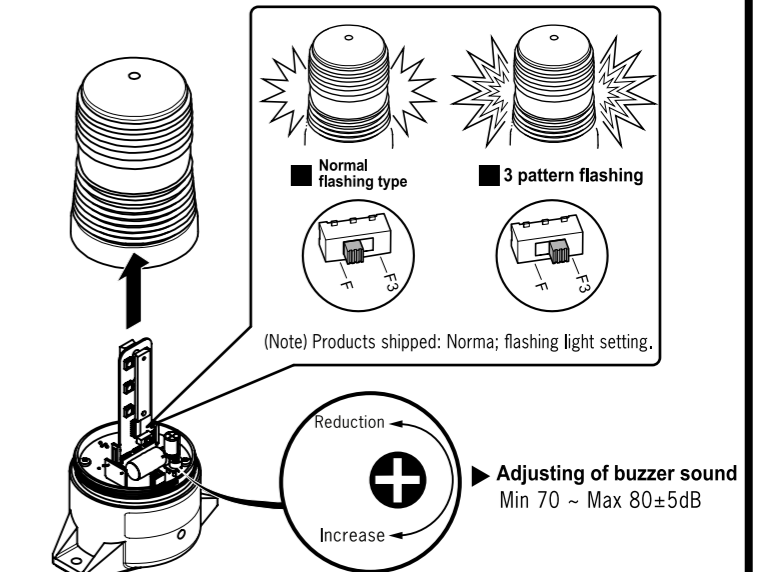
- ! Do not fail to disconnect the power supply before wiring connections. It can cause electric shock.
- Use only specified operating voltage range. Excess voltage hastens degradation.
- Make sure to set fuse in a power supply side, please connect a fuse.
- When you use this product for security purpose, routine inspection must be done.
- Do not pull Lead wires too hard. It can damage the inner circuit.



(Note)
In case of buzzer type : When power is applied, LED flashing and buzzer operate simultaneously

Change function

- ! Do not operate the product with wet hands
There is a risk of electric shock.



* We are not in a position to be responsible for damage and trouble caused by handling against caution and warning described in this instruction manual. Specifications may change without notice due to continual product improvement.