

LED Indicators

Flat Head



Round Head



Protrusive Head



Accessories



LTC-500 / LTC-1000
* Not applied for Ø6mm series

Features

Operating Temperature Range: -25 ~ +60 °C
 Chrome plated brass, Plastic housing
 Dielectric strength: 500 VAC 50/60Hz for 1 minute (DC Type)
 Dielectric strength: 1000 VAC 50/60Hz for 1 minute (AC Type)*
 Insulation resistance: Max. 100MΩ (at 500VDC mega)
 * Not applied for Ø6mm series

Specifications

Voltage	Operating Voltage	Operating Current
3V DC	2.7 to 3.3 VDC	20 mA
12V DC	10.8 to 13.2 VDC	20 mA
24V DC	21.6 to 26.4 VDC	20 mA
110V AC*	99 to 121 VAC	4 mA
220V AC*	207 to 253 VAC	2 mA

* not valid on Ø6 mm

Dielectric Strength	500VAC for 1 minute at 50/60Hz	
Ambient Temperature	Operation: -25°C~ +60°C	
Material	Head	Brass, Chrome-plated
	Body	ABS Plastic
Degree of Protection	IP40	
Insulation Resistance	100MΩ at 500V DC	

Ordering Information

M **06** **F** - **03** - **R**

① ② ③ ④ ⑤

① Type	M	Standard
	H	High Bright (F Series only)
② Diameter	06	6 mm
	08	8 mm
	10	10 mm
	12	12 mm
	16	16 mm
③ Head Shape	F	Flat
	R	Round
	P	Protrusive
④ Power	03	3V DC
	12	12V DC
	24	24V DC
	10	110V AC*
	20	220V AC*
⑤ Color	R	RED
	Y	YELLOW
	G	GREEN
	B	BLUE**
	W	WHITE**

* Not applied for 6 mm series.

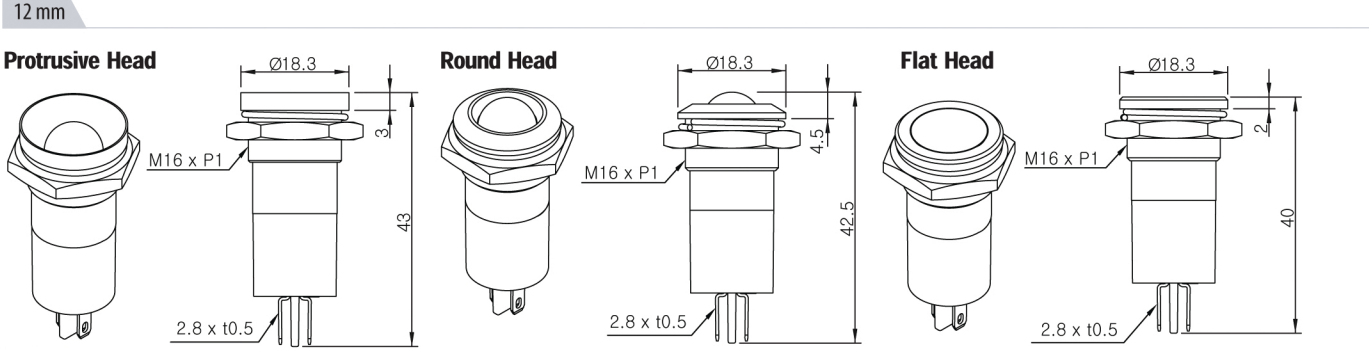
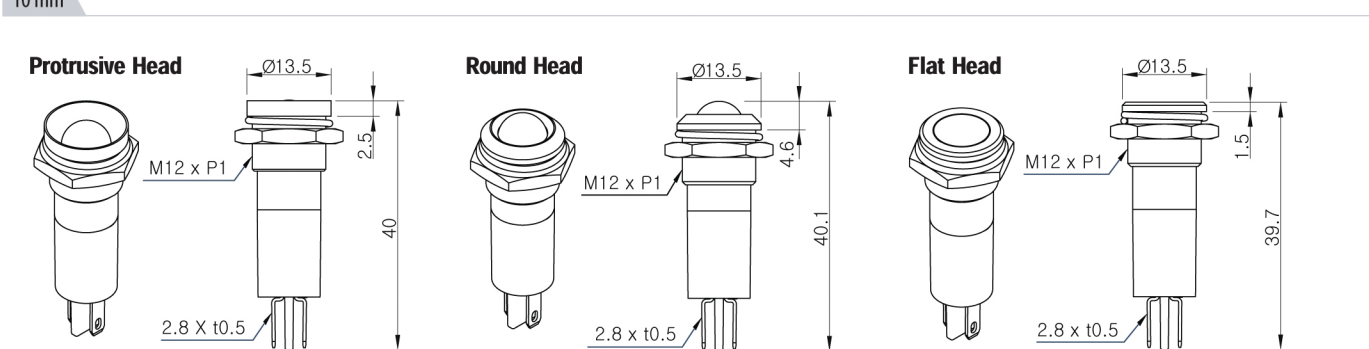
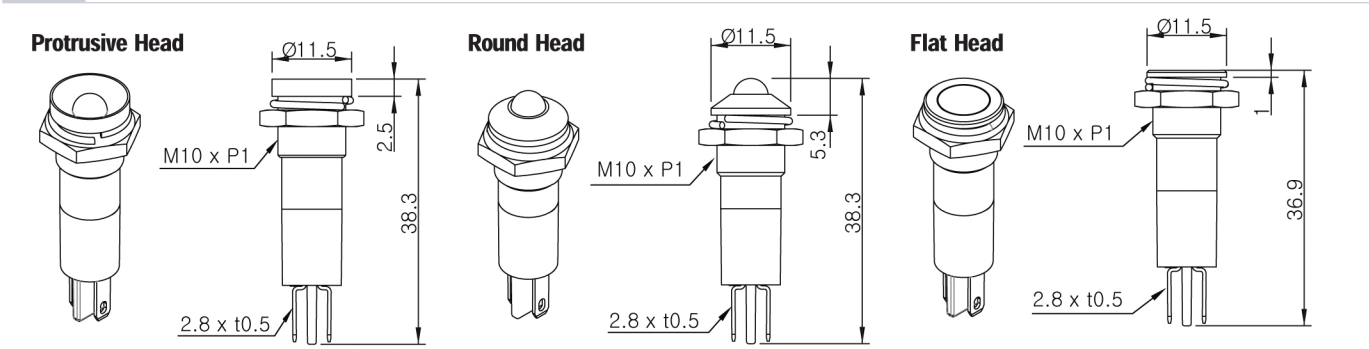
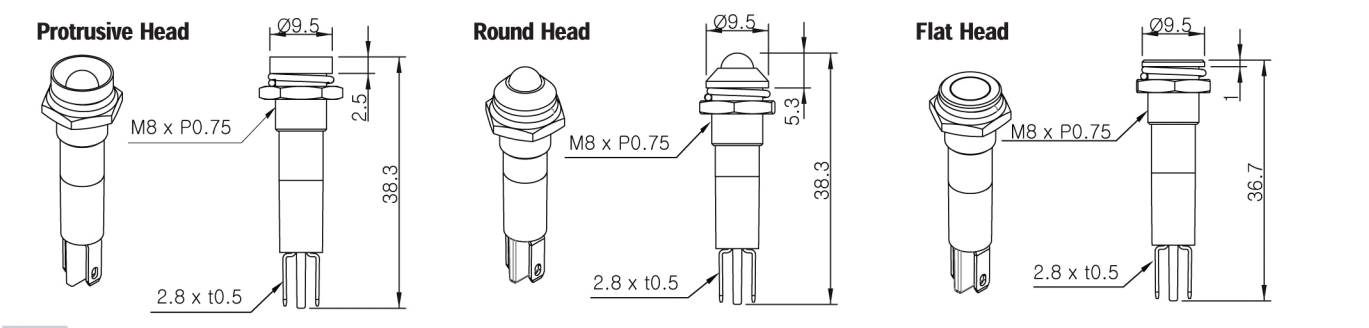
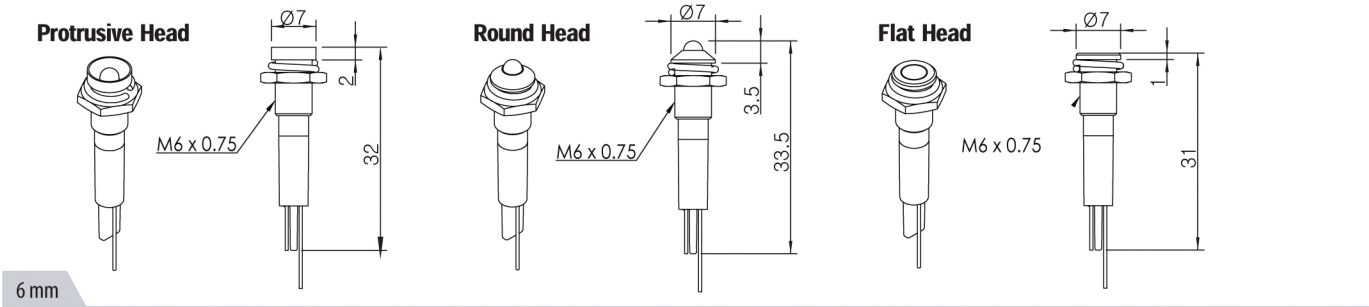
** Blue & White Colors are available only for High Bright F Series.

LED Intensity (Flat Head only)

	LED Color	Lumi. Intensity F Type (mcd)	Lumi. intensity P and R Head (mcd)
6 mm	RED	100 to 200	50 to 80
	YELLOW	100 to 200	50 to 70
	GREEN	150 to 250	50 to 80
	BLUE	100 to 220	-
	WHITE	120 to 200	-
8 mm	RED	150 to 250	60 to 90
	YELLOW	130 to 260	50 to 80
	GREEN	200 to 300	70 to 100
	BLUE	140 to 240	-
10 mm	RED	150 to 250	60 to 90
	YELLOW	130 to 260	50 to 80
	GREEN	200 to 300	70 to 100
	BLUE	140 to 240	-
	WHITE	150 to 240	-
12 mm	RED	140 to 220	60 to 90
	YELLOW	120 to 240	50 to 80
	GREEN	180 to 270	70 to 100
	BLUE	130 to 230	-
	WHITE	140 to 230	-
16 mm	RED	110 to 180	50 to 80
	YELLOW	100 to 190	40 to 70
	GREEN	130 to 220	60 to 80
	BLUE	100 to 200	-
	WHITE	100 to 210	-
16 mm	RED	80 to 150	50 to 80
	YELLOW	80 to 160	40 to 60
	GREEN	100 to 210	50 to 70
	BLUE	80 to 190	-
	WHITE	90 to 180	-

Dimensions

unit: mm



Tower Lights
Beacon Lights
LED Indicators Pilot Lamps
Buzzer Alarms
Pushbutton Switches
Limit Switches
Foot Switches
Relays Sockets
Relay Connector Terminal
SSR
Enclosures
Terminal Blocks
Fuse Holders
Geared Motors