

LED Indicators

Ø6-16 LED Indicators



Flat Head



6 mm



8, 10, 12, & 16 mm

Round Head



6 mm



8, 10, 12, & 16 mm

Protrusive Head



6 mm



8, 10, 12, & 16 mm

Accessories



LTC-0500 / LTC-1000

Wire length: 500mm Wire length: 1M

* Wire : UL 1007, 22AWG

* Terminal : 110 series connector, Brass 0.3t

Key Features

Operating Temperature Range: -25 ~ +60 °C

Chrome plated brass, Plastic housing

Dielectric strength: 500 VAC 50/60Hz for 1 minute (DC Type)

Dielectric strength: 1000 VAC 50/60Hz for 1 minute (AC Type)

Insulation resistance: Max. 100MΩ (at 500VDC mega)

Specifications

Voltage	Operating Voltage	Operating Current
3V DC	2.7 to 3.3 VDC	20 mA
12V DC	10.8 to 13.2 VDC	20 mA
24V DC	21.6 to 26.4 VDC	20 mA
110V AC*	100 to 120 VAC	4 mA
220V AC*	200 to 240 VAC	2 mA

* not valid on Ø6 mm

Ordering Information

M	06	R	-	03	R
①	②	③		④	⑤

① Type	M	IP60	Standard
	H		High Bright (F head only)
	E	IP67	Standard
	S		High Bright(F head only)
② Diameter	06	6 mm (Not applied to E,S type)	
	08	8 mm	
	10	10 mm	
	12	12 mm	
	16	16 mm	
③ Head Shape	F	Flat (High bright type only)	
	R	Round	
	P	Protrusive	
④ Power	03	3V DC	
	12	12V DC	
	24	24V DC	
	10	110V AC*	
	20	220V AC*	
⑤ Color	R	RED	
	Y	YELLOW	
	G	GREEN	
	B	BLUE**	
	W	WHITE**	

* Not applied for 6 mm series.

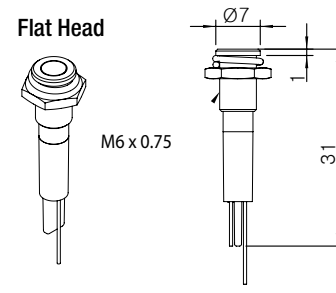
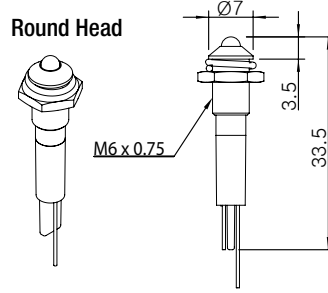
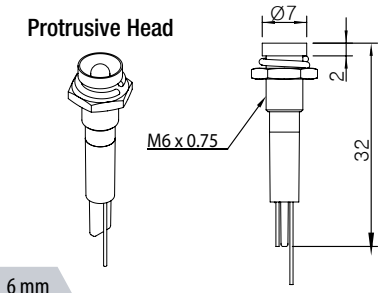
** Blue & White Colors are available only for High Bright types.

Luminous Intensity

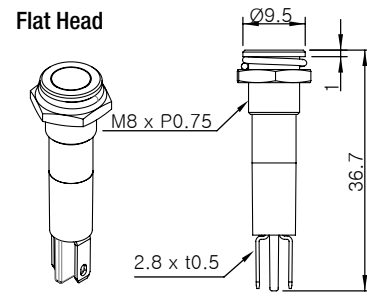
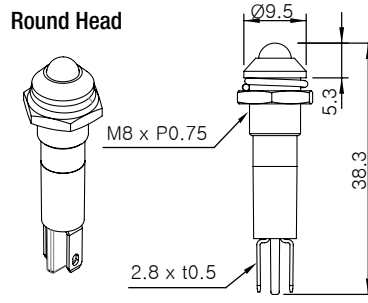
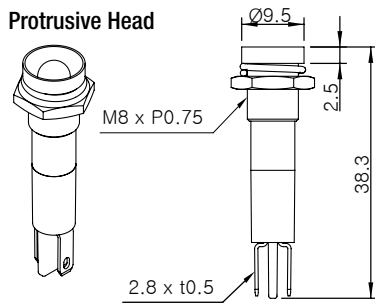
	LED Color	Standard type P & R Head (mcd)	High Bright Type F Head (mcd)
6 mm	RED	50 to 80	100 to 200
	YELLOW	50 to 70	100 to 200
	GREEN	50 to 80	150 to 250
	BLUE	N/A	100 to 220
	WHITE	N/A	120 to 200
8 mm	RED	60 to 90	150 to 250
	YELLOW	50 to 80	130 to 260
	GREEN	70 to 100	200 to 300
	BLUE	N/A	140 to 240
	WHITE	N/A	150 to 240
10 mm	RED	60 to 90	140 to 220
	YELLOW	50 to 80	120 to 240
	GREEN	70 to 100	180 to 270
	BLUE	N/A	130 to 230
	WHITE	N/A	140 to 230
12 mm	RED	50 to 80	110 to 180
	YELLOW	40 to 70	100 to 190
	GREEN	60 to 80	130 to 220
	BLUE	N/A	100 to 200
	WHITE	N/A	100 to 210
16 mm	RED	50 to 80	80 to 150
	YELLOW	40 to 60	80 to 160
	GREEN	50 to 70	100 to 210
	BLUE	N/A	80 to 190
	WHITE	N/A	90 to 180

Dimensions

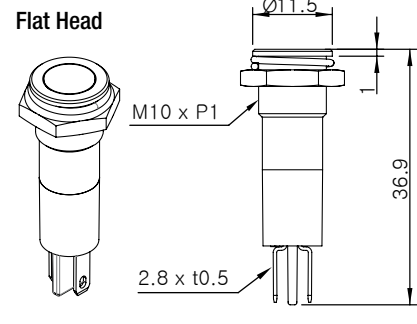
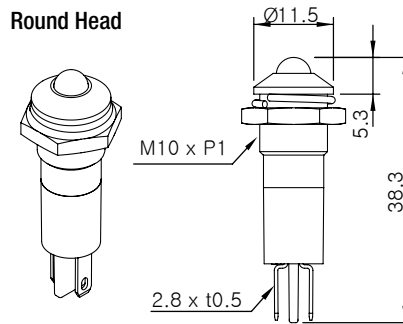
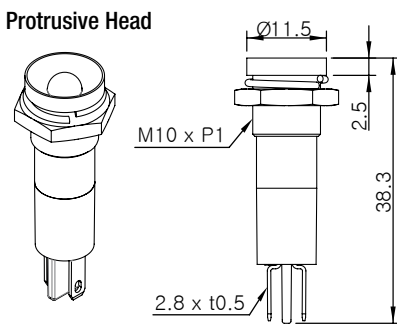
unit: mm



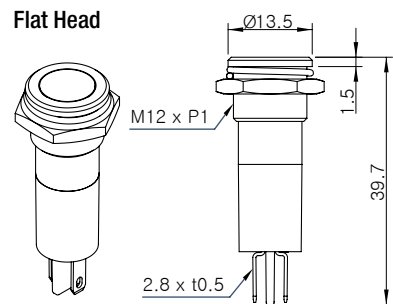
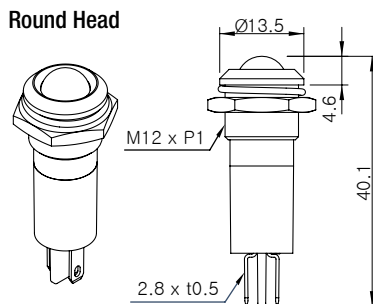
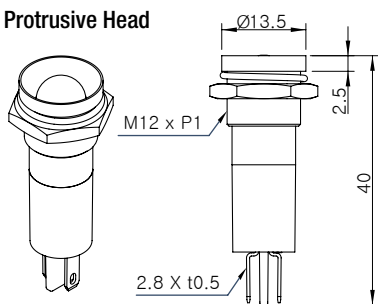
6 mm



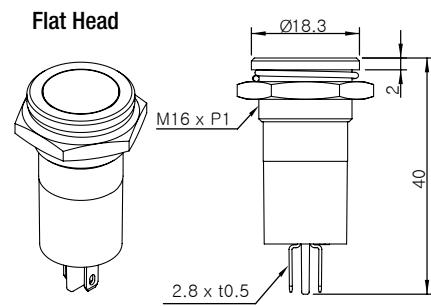
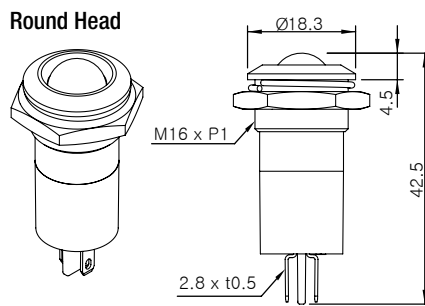
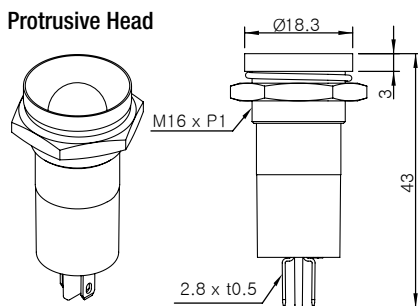
8 mm



10 mm



12 mm



16 mm