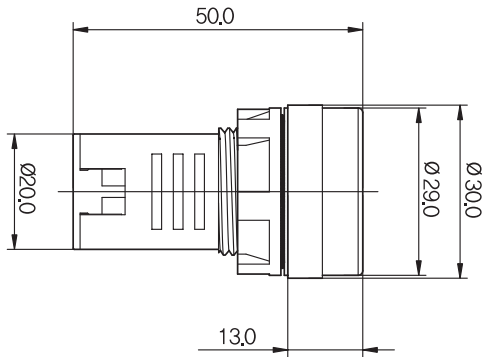


KPL Series (22mm)



Ordering Information

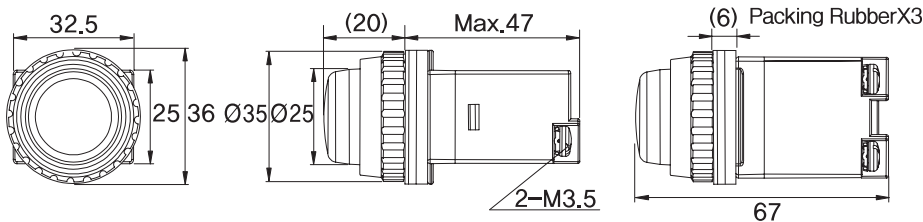
KPL - **R** - **12VAC**
 ① ②

① Model	R	RED
	G	GREEN
	Y	YELLOW
	B	BLUE
	W	WHITE
② Voltage	AC/DC	12V
		24V
	AC	110V
		220V
DC	110V	

Specifications

Nominal Current	Approx. 20mA
Insulation Resistance	100MΩ at 500V DC
Weight	Approx. 24g
Ambient Temperature	-25°C~ +55°C with no icing
Expected Life	50,000hrs
Torgue	0.8N·m (8.16kg·cm)
Degree of protection	IP65 (LED Pilot lamp)

B30 Series (30mm)



Ordering Information

B30 - 17 **R** - **110VAC**
 ① ②

① Model	R	RED
	G	GREEN
	Y	YELLOW
	B	BLUE
	W	WHITE
② Voltage	DC	24V
	AC	110V