

PIN #	COLOR
1	BROWN
2	WHITE
3	BLUE
4	BLACK
5	GREEN/YELLOW

REVISIONS			
REV.	DESCRIPTION	DATE	APPROVED
A	DRAWN IN SW	5/31/2016	BEM

D

D

C

C

B

B

A

A

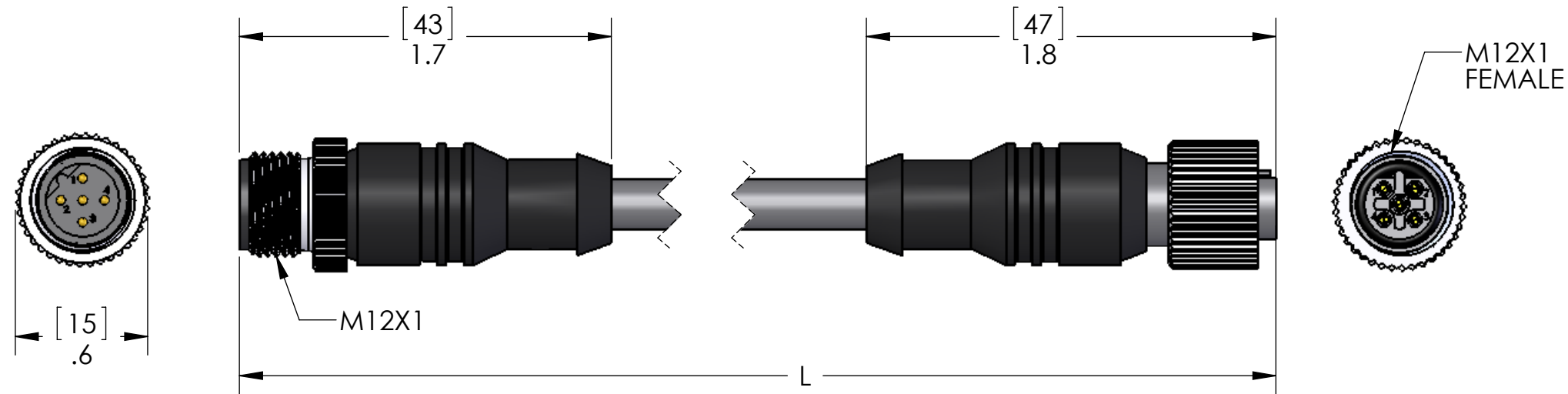


TABLE A		
P/N	L	STD?
MEC-5MFP-1M	40" [1m]	YES
MEC-5MFP-2M	79" [2m]	YES
MEC-5MFP-3M	118" [3m]	YES
MEC-5MFP-4M	157" [4m]	YES
MEC-5MFP-5M	197" [5m]	YES
MEC-5MFP-8M	315" [8m]	NO
MEC-5MFP-10M	393" [10m]	YES
MEC-5MFP-15M	590" [15m]	NO
MEC-5MFP-20M	786" [20m]	NO
MEC-5MFP-25M	983" [25m]	NO
MEC-5MFP-30M	1179" [30m]	NO

PARTS LISTED AS NOT BEING STANDARD
MAY HAVE MINIMUM ORDER QUANTITIES

MATERIALS	
BODY:	BLACK PVC
CONTACTS:	GOLD PLATED COPPER ALLOY
CABLE:	22/5 AWM GRAY PVC JACKET
COUPLING:	NICKEL PLATED BRASS
INSERT:	POLYAMIDE
O-RING:	FPM

APPROVALS:	
US	UL LISTED
CANADA	C-UL LISTED

PROPRIETARY AND CONFIDENTIAL
THE INFORMATION CONTAINED IN THIS DRAWING IS THE SOLE PROPERTY OF MENCOM CORPORATION. ANY REPRODUCTION IN PART OR AS A WHOLE WITHOUT THE WRITTEN PERMISSION OF MENCOM CORPORATION IS PROHIBITED.

VOLTS	300V
AMPS	4A
TEMP	105C

UNLESS OTHERWISE SPECIFIED: DIMENSIONS ARE IN INCHES AND [MM]	DRAWN	NAME	JJH
	CHECKED		
	ENG APPR.		
	MFG APPR.		
	Q.A.		
	COMMENTS:		
INTERPRET GEOMETRIC TOLERANCING PER:			
MATERIAL			
FINISH			
APPLICATION	DO NOT SCALE DRAWING		

MENCOM CORPORATION		
TITLE: 5 PL EURO-AC M-F PLUG		
SIZE	DWG. NO.	REV
B	MEC-5MFP-ZZ	A
SCALE: 3:2	WEIGHT:	SHEET 1 OF 1

8

7

6

5

4

3

2

1