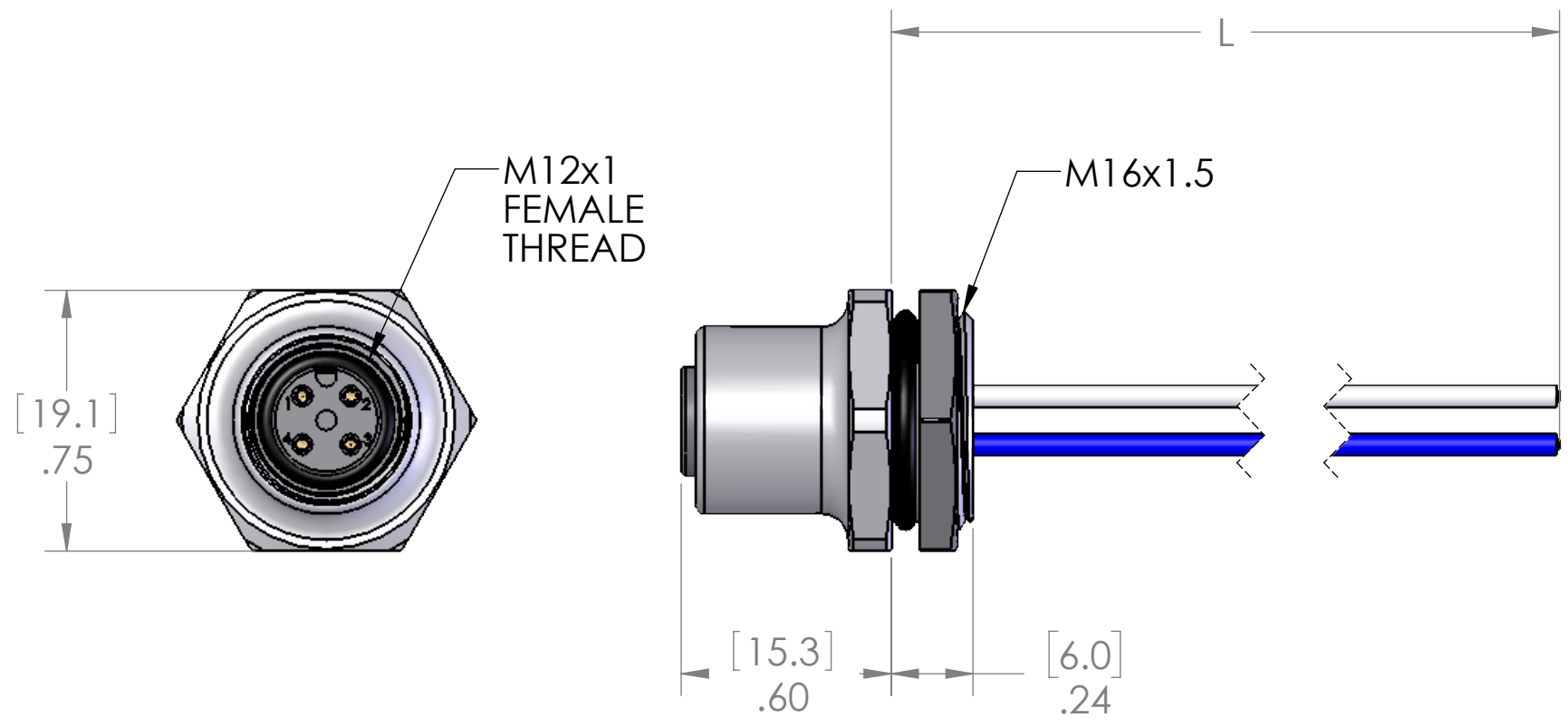


PIN #	COLOR
1	BROWN
2	WHITE
3	BLUE
4	BLACK
5	GRAY



P/N	L
MDC-4FR-M16	12" [0.3M]
MDC-4FR-M16-0.5M	19" [0.5M]
MDC-4FR-M16-1M	40" [1M]
MDC-4FR-M16-2M	79" [2M]
MDC-4FR-M16-3M	118" [3M]
MDC-4FR-M16-5M	197" [5M]
MDC-4FR-M16-10M	393" [10M]

OTHER LENGTHS AVAILABLE
CONSULT FACTORY

MATERIALS	
BODY:	NICKEL PLATED BRASS
CONTACTS:	GOLD PLATED COPPER ALLOY
WIRES:	22AWG UL1007/1569
INSERT:	POLYAMIDE
O-RING:	FPM & NBR
LOCKNUT:	NICKEL PLATED BRASS

APPROVALS:	
US	UL LISTED
CANADA	C-UL LISTED

PROPRIETARY AND CONFIDENTIAL
THE INFORMATION CONTAINED IN THIS DRAWING IS THE SOLE PROPERTY OF MENCOM CORPORATION. ANY REPRODUCTION IN PART OR AS A WHOLE WITHOUT THE WRITTEN PERMISSION OF MENCOM CORPORATION IS PROHIBITED.

VOLTS	300V
AMPS	4A
TEMP:	105°C

UNLESS OTHERWISE SPECIFIED: DIMENSIONS ARE IN INCHES AND [MM]	DRAWN BY ADM
	DRAWN DATE 12/16/2016
	CHECKED BY DG
	CHECK DATE 12/16/2016
	COMMENTS:
MATERIAL	
FINISH	
DO NOT SCALE DRAWING	

MENCOM CORPORATION		
TITLE: 4 PL MDC FEM RECP		
SIZE B	DWG. NO. MDC-4FR-M16-ZZ	REV C
SCALE: 2:1	WEIGHT:	SHEET 1 OF 1