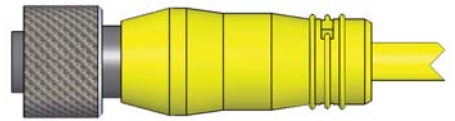




Ethernet Series

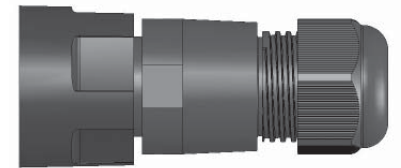
Etherplug 2-13



Etherlink V3 14-16



Etherlink V1 17-20



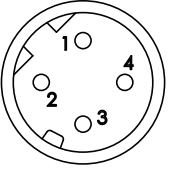
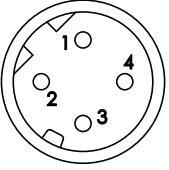
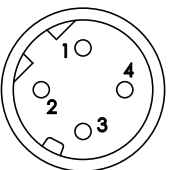
Specialty Connectors.. 21-25

Specifications 26-27

Ethernet Series

Ethernet Series Etherplug Cordsets

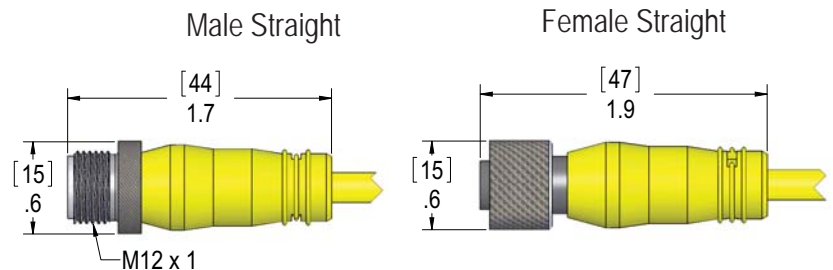
PVC & PUR Cable ❖ 4 Pole ❖ D-Coded

PVC Version						
Face View of Male	# of Poles	Color Code	Wire AWG Rating	Length	Male Plugs	Female Plugs
	4	1-White w/ Orange 2-White w/ Green 3-Orange 4-Green	24 60V 2A	2 M 5 M 10 M	MDE45-4MP-2M MDE45-4MP-5M MDE45-4MP-10M	MDE45-4FP-2M MDE45-4FP-5M MDE45-4FP-10M
Polyurethane Version						
Face View of Male	# of Poles	Color Code	Wire AWG Rating	Length	Male Plugs	Female Plugs
	4	1-White w/ Orange 2-White w/ Green 3-Orange 4-Green	24 60V 2A	2 M 5 M 10 M	MDE45P-4MP-2M MDE45P-4MP-5M MDE45P-4MP-10M	MDE45P-4FP-2M MDE45P-4FP-5M MDE45P-4FP-10M
Polyurethane Shielded Version						
Face View of Male	# of Poles	Color Code	Wire AWG Rating	Length	Male Plugs	Female Plugs
	4	1-White w/ Orange 2-White w/ Green 3-Orange 4-Green	24 60V 2A	2 M 5 M 10 M	MDE45PB-4MP-2M MDE45PB-4MP-5M MDE45PB-4MP-10M	MDE45PB-4FP-2M MDE45PB-4FP-5M MDE45PB-4FP-10M

Other cable lengths are available. Please consult the factory.

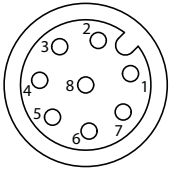
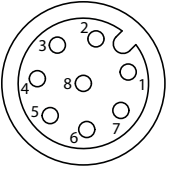
Specifications:

Body: Oil Resistant Black PVC or PUR
 Insulator: Polyamide
 Contacts: Copper Alloy with Gold Plating
 Coupling Nut: Nickel Plated Brass
 Cable: See Page M-26 for specs.
 Protection: IP 67
 Approvals: U.S.: UL Recognized
 Canada: C-UL Recognized



Ethernet Series Etherplug Cordsets

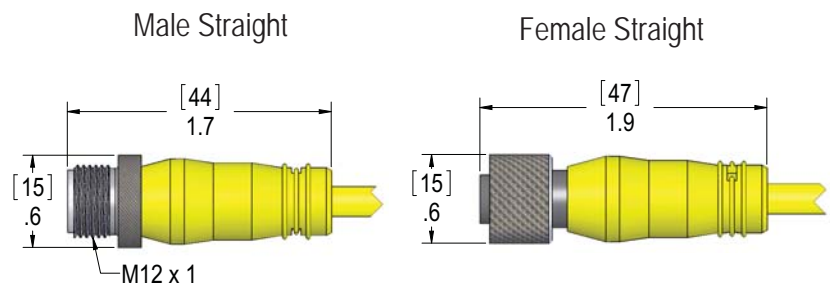
PVC & PUR Cable ❖ 8 Pole

PVC Version						
Face View of Male	# of Poles	Color Code	Wire AWG Rating	Length	Male Plugs	Female Plugs
	8	1-White w/ Blue 2-White w/ Brown 3-Brown 4-Orange 5-White w/ Green 6-White w/ Orange 7-Blue 8-Green	24 60V 2A	2 M 5 M 10 M	MDE45-8MP-2M MDE45-8MP-5M MDE45-8MP-10M	MDE45-8FP-2M MDE45-8FP-5M MDE45-8FP-10M
Polyurethane Version						
Face View of Male	# of Poles	Color Code	Wire AWG Rating	Length	Male Plugs	Female Plugs
	8	1-White w/ Blue 2-White w/ Brown 3-Brown 4-Orange 5-White w/ Green 6-White w/ Orange 7-Blue 8-Green	24 60V 2A	2 M 5 M 10 M	MDE45P-8MP-2M MDE45P-8MP-5M MDE45P-8MP-10M	MDE45P-8FP-2M MDE45P-8FP-5M MDE45P-8FP-10M

Other cable lengths are available. Please consult the factory.

Specifications:

Body:	Oil Resistant Black PVC or PUR
Insulator:	Polyamide
Contacts:	Copper Alloy with Gold Plating
Coupling Nut:	Nickel Plated Brass
Cable:	See Page M-26 for specs.
Protection:	IP 67
Approvals:	U.S.: UL Recognized Canada: C-UL Recognized



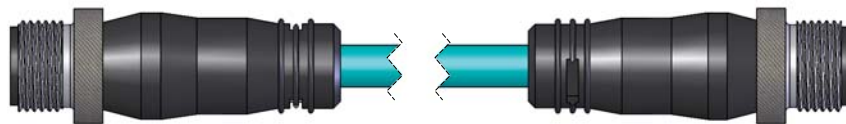
Ethernet Series Etherplug Extension Cables

PVC & PUR Extension Cable ❖ 4 Pole D-Coded ❖ 8 Pole

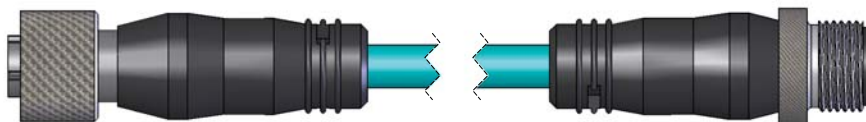
PVC Version						
Face View of Male	# of Poles	Wire AWG Rating	Length	Male to Male	Male to Female	Female to Female
	4	24 60V 2A	2 M 5 M 10 M	MDE45-4MMP-2M MDE45-4MMP-5M MDE45-4MMP-10M	MDE45-4MFP-2M MDE45-4MFP-5M MDE45-4MFP-10M	MDE45-4FFP-2M MDE45-4FFP-5M MDE45-4FFP-10M
	8	24 60V 2A	2 M 5 M 10 M	MDE45-8MMP-2M MDE45-8MMP-5M MDE45-8MMP-10M	MDE45-8MFP-2M MDE45-8MFP-5M MDE45-8MFP-10M	MDE45-8FFP-2M MDE45-8FFP-5M MDE45-8FFP-10M
Polyurethane Version						
Face View of Male	# of Poles	Wire AWG Rating	Length	Male to Male	Male to Female	Female to Female
	4	24 60V 2A	2 M 5 M 10 M	MDE45P-4MMP-2M MDE45P-4MMP-5M MDE45P-4MMP-10M	MDE45P-4MFP-2M MDE45P-4MFP-5M MDE45P-4MFP-10M	MDE45P-4FFP-2M MDE45P-4FFP-5M MDE45P-4FFP-10M
	8	24 60V 2A	2 M 5 M 10 M	MDE45P-8MMP-2M MDE45P-8MMP-5M MDE45P-8MMP-10M	MDE45P-8MFP-2M MDE45P-8MFP-5M MDE45P-8MFP-10M	MDE45P-8FFP-2M MDE45P-8FFP-5M MDE45P-8FFP-10M

Other cable lengths are available. Please consult the factory.

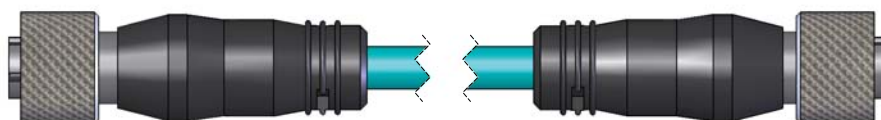
Male to Male



Male to Female



Female to Female



Ethernet Series Etherplug Extension Cables

PVC & PUR Cable ❖ 4 Pole D-Coded ❖ Male to RJ45 ❖ Female to RJ45

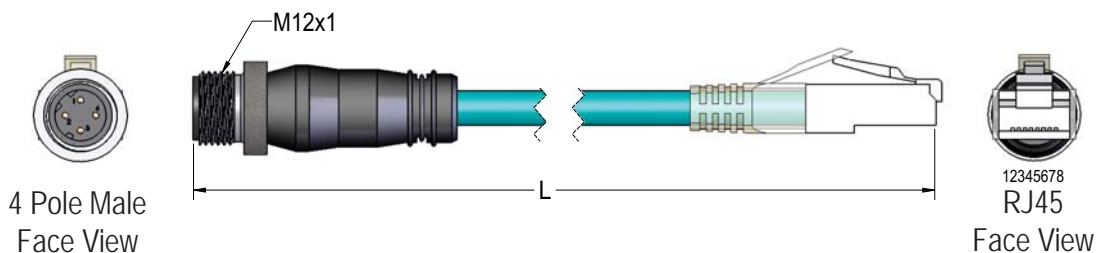
PVC Version					
Face View of Male	# of Poles	Wire AWG Rating	Length	Male Plugs	Female Plugs
	4	24 60V 1A	2 M 5 M 10 M	MDE45-4MP-RJ45-2M MDE45-4MP-RJ45-5M MDE45-4MP-RJ45-10M	MDE45-4FP-RJ45-2M MDE45-4FP-RJ45-5M MDE45-4FP-RJ45-10M
Polyurethane Version					
Face View of Male	# of Poles	Wire AWG Rating	Length	Male Plugs	Female Plugs
	4	24 60V 1A	2 M 5 M 10 M	MDE45P-4MP-RJ45-2M MDE45P-4MP-RJ45-5M MDE45P-4MP-RJ45-10M	MDE45P-4FP-RJ45-2M MDE45P-4FP-RJ45-5M MDE45P-4FP-RJ45-10M
Polyurethane Shielded Version					
Face View of Male	# of Poles	Wire AWG Rating	Length	Male Plugs	Female Plugs
	4	24 60V 1A	2 M 5 M 10 M	MDE45PB-4MP-RJ45-2M MDE45PB-4MP-RJ45-5M MDE45PB-4MP-RJ45-10M	MDE45PB-4FP-RJ45-2M MDE45PB-4FP-RJ45-5M MDE45PB-4FP-RJ45-10M

Other cable lengths are available. Please consult the factory.

Mencom Standard Cable

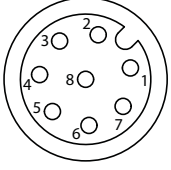
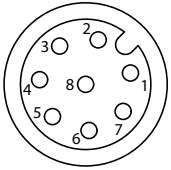


Male to RJ45



Ethernet Series Etherplug Extension Cables

















PVC & PUR Cable ❖ 8 Pole ❖ Male to RJ45 ❖ Female to RJ45

PVC Version					
Face View of Male	# of Poles	Wire AWG Rating	Length	Male Plugs	Female Plugs
	8	24 60V 1A	2 M 5 M 10 M	MDE45-8MP-RJ45-2M MDE45-8MP-RJ45-5M MDE45-8MP-RJ45-10M	MDE45-8FP-RJ45-2M MDE45-8FP-RJ45-5M MDE45-8FP-RJ45-10M
Polyurethane Version					
Face View of Male	# of Poles	Wire AWG Rating	Length	Male Plugs	Female Plugs
	8	24 60V 1A	2 M 5 M 10 M	MDE45P-8MP-RJ45-2M MDE45P-8MP-RJ45-5M MDE45P-8MP-RJ45-10M	MDE45P-8FP-RJ45-2M MDE45P-8FP-RJ45-5M MDE45P-8FP-RJ45-10M

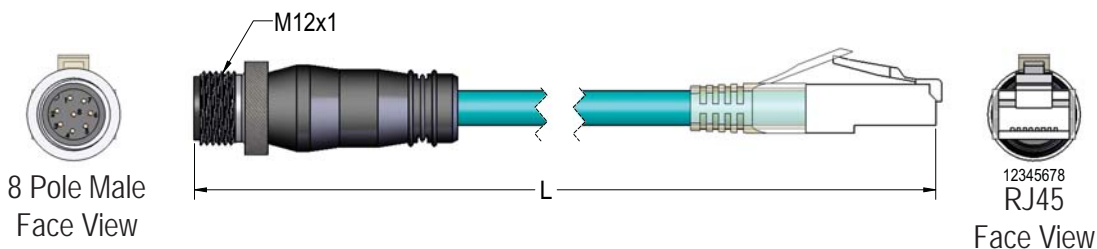
Other cable lengths are available, please consult the factory. For Stainless Steel, put a "-SS" suffix on the part number (e.g. MDE45-8MP-RJ45-2M-SS).

Mencom Standard Cable

Color Code

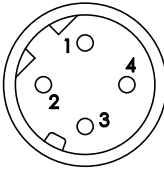
MDE45		Color		RJ45
6		White/Orange		1
4		Orange		2
1		White/Blue		5
7		Blue		4
5		White/Green		3
8		Green		6
2		White/Brown		7
3		Brown		8

Male to RJ45



Ethernet Series Etherplug Field Wireable Plugs

4 Pole ❖ PG 7 & PG 9 Threads ❖ 18-24 AWG

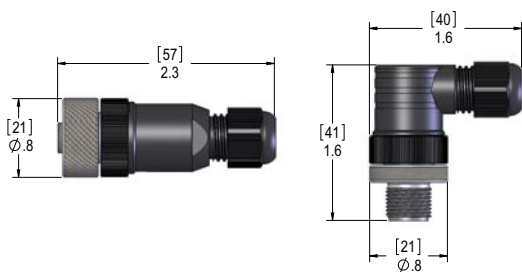
Face View of Male	# of Poles	Wire AWG Rating	PG Size	Cable Range	Male Straight	Male Right Angle	Female Straight	Female Right Angle
	4	18-24 250V 4A	PG 7 PG 9	3 - 6.5 mm 4 - 8 mm	MDE45-4MP-FW07 MDE45-4MP-FW09	MDE45-4MP-FW07-R MDE45-4MP-FW09-R	MDE45-4FP-FW07 MDE45-4FP-FW09	MDE45-4FP-FW07-R MDE45-4FP-FW09-R

These connectors are easily wired by inserting the individual wires into the screw terminal contacts. The connectors are water tight to IP 67 and are fully mateable with other D-Coded M12 connectors.

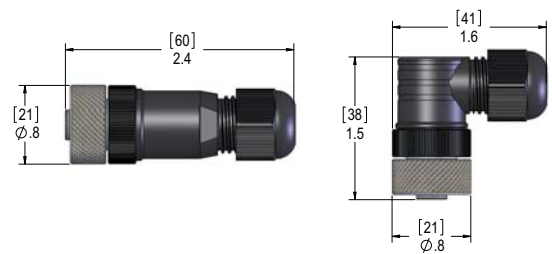
Specifications:

Body: Black Polyamide
 Insulator: Black Polyamide
 Contacts: Copper Alloy with Gold Plating
 Coupling Nut: Nickel Plated Brass
 Seal: NBR
 Temperature: -25°C to +85°C (-13°F to +185°F)
 Protection: IP 67
 Approvals: U.S.: UL Recognized
 Canada: C-UL Recognized

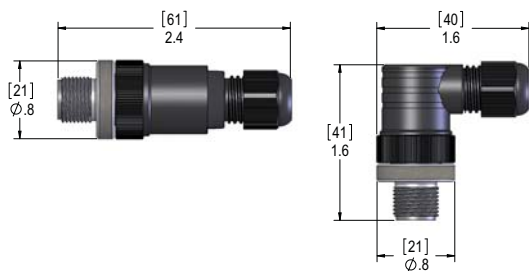
PG 7
Female Straight Female Right Angle



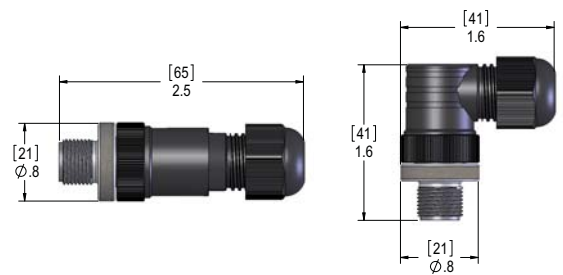
PG 9
Female Straight Female Right Angle



PG 7
Male Straight Male Right Angle



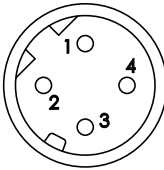
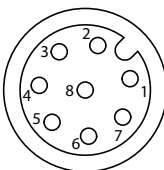
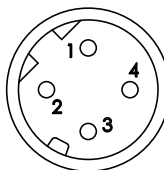
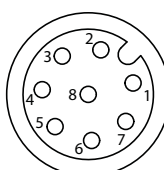
PG 9
Male Straight Male Right Angle



Ethernet Series

Ethernet Series Etherplug Receptacles

12" Leads ❖ 1/4" - 18 NPT & 1/2" - 14 NPT ❖ PG 9 ❖ Metric ❖ Back Mount

Etherplug Receptacles with 12" Leads					
Face View of Male	# of Poles	Wire AWG Rating	Threads	Male Plugs	Female Plugs
	4	24 60V 2A	1/4" - 18 NPT 1/2" - 14 NPT PG 9 M20 Back Mount	MDE45-4MR-4-E45 MDE45-4MR-2-E45 MDE45-4MR-PG9-E45 MDE45-4MR-M20-E45 MDE45-4MR-BM-E45	MDE45-4FR-4-E45 MDE45-4FR-2-E45 MDE45-4FR-PG9-E45 MDE45-4FR-M20-E45 MDE45-4FR-BM-E45
	8	24 60V 2A	1/4" - 18 NPT 1/2" - 14 NPT PG 9 M20 Back Mount	MDC-8MR-4-E45 MDC-8MR-2-E45 MDC-8MR-PG9-E45 MDC-8MR-M20-E45 MDC-8MR-BM-E45	MDC-8FR-4-E45 MDC-8FR-2-E45 MDC-8FR-PG9-E45 MDC-8FR-M20-E45 MDC-8FR-BM-E45
Etherplug Receptacles with Cat 5 Cable					
Face View of Male	# of Poles	Wire AWG Rating	Threads	Male Plugs	Female Plugs
	4	24 60V 2A	1/4" - 18 NPT 1/2" - 14 NPT PG 9 M20 Back Mount	MDE45-4MR-4-1M MDE45-4MR-2-1M MDE45-4MR-PG9-1M MDE45-4MR-M20-1M MDE45-4MR-BM-1M	MDE45-4FR-4-1M MDE45-4FR-2-1M MDE45-4FR-PG9-1M MDE45-4FR-M20-1M MDE45-4FR-BM-1M
	8	24 60V 2A	1/4" - 18 NPT 1/2" - 14 NPT PG 9 M20 Back Mount	MDE45-8MR-4-1M MDE45-8MR-2-1M MDE45-8MR-PG9-1M MDE45-8MR-M20-1M MDE45-8MR-BM-1M	MDE45-8FR-4-1M MDE45-8FR-2-1M MDE45-8FR-PG9-1M MDE45-8FR-M20-1M MDE45-8FR-BM-1M

Etherplug receptacles with 12" leads or shorter come with discrete wires. Standard Cat 5 cable lengths are in one meter increments. For a 2M cable add a "-2M" to the part number (e.g. MDE45-8MR-4-1M becomes MDE45-8MR-4-2M).

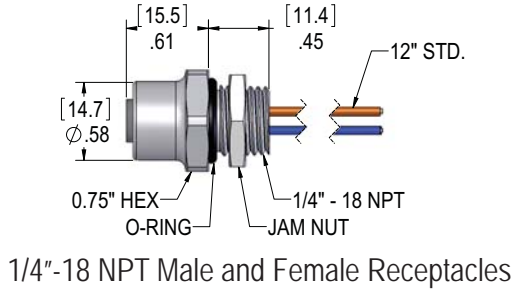
Specifications:

Shell: 1/4" NPT: Nickel Plated Brass;
1/2" NPT: Clear Anodized Aluminum
PG 9: Nickel Plated Brass
M20: Clear Anodized Aluminum
Back Mount: Nickel Plated Brass

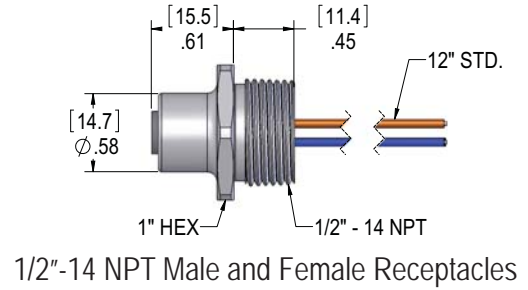
Insulator: Polyamide
Cable: See PVC Cable specifications on page M-26.
Wires: 24 AWG 60V, 80°C
Contacts: Copper Alloy with Gold Plating
O-Ring: BUNA-N
Temperature: -40°C to +80°C (-40°F to +176°F)
Protection: IP 67

Ethernet Series Etherplug Receptacles

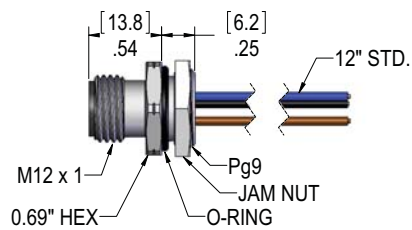
12" Leads ❖ 1/4" - 18 NPT & 1/2" - 14 NPT ❖ PG 9 ❖ Metric ❖ Back Mount



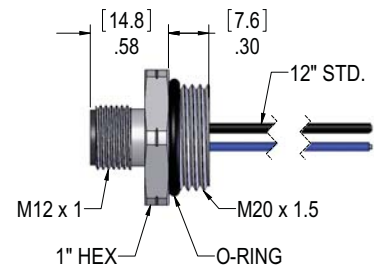
1/4"-18 NPT Male and Female Receptacles



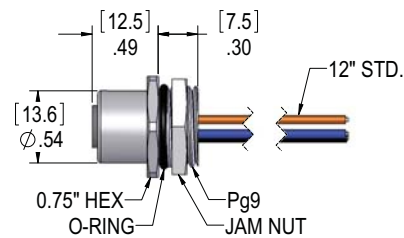
1/2"-14 NPT Male and Female Receptacles



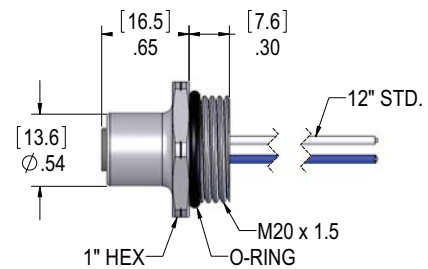
PG 9 Male and Female Receptacles



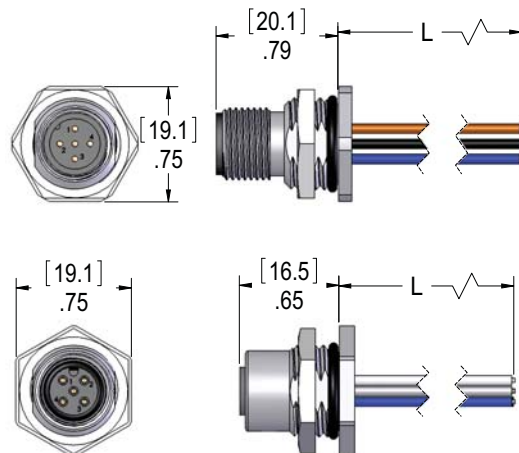
M20 Male and Female Receptacles



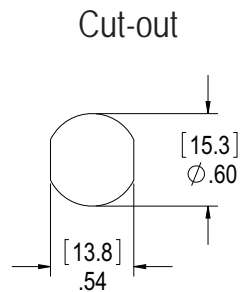
PG 9 Male and Female Receptacles



M20 Male and Female Receptacles



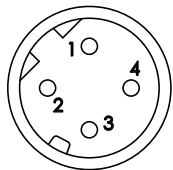
Back Mount Male and Female Receptacles



Ethernet Series

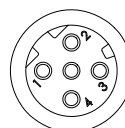
Ethernet Series Etherplug Series Receptacles

Panel Mount RJ45 to MDE45

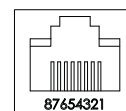
Panel Mount RJ45 to MDE45 (D-Coded)				
Face View of Male	# of Poles	Wiring MDE45 to RJ45	Male D-Coded MDE45 to Female RJ45	Female D-Coded MDE45 to Female RJ45
	4	1 to 1 2 to 3 3 to 2 4 to 6	MDE45RJ-4MFR-BM	MDE45RJ-4FFR-BM

Specifications:

Housing: PBT
 Insulator: Polyamide
 Contacts: Copper Alloy with Gold Plating
 O-Ring: BUNA-N
 RJ45 Connector: Cat 5
 Temperature: -40°C to +80°C (-40°F to +176°F)
 Protection: IP 67

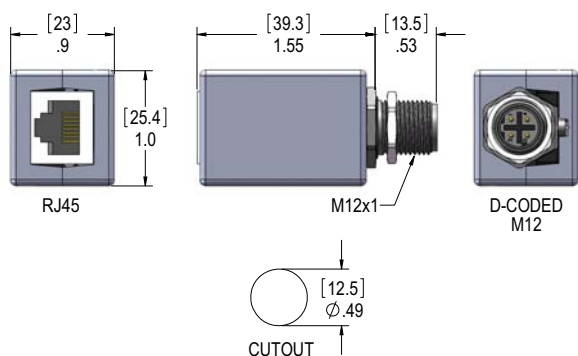


1 = White/Orange (+ TX)
 2 = White/Green (+ RX)
 3 = Orange (- TX)
 4 = Green (- RX)

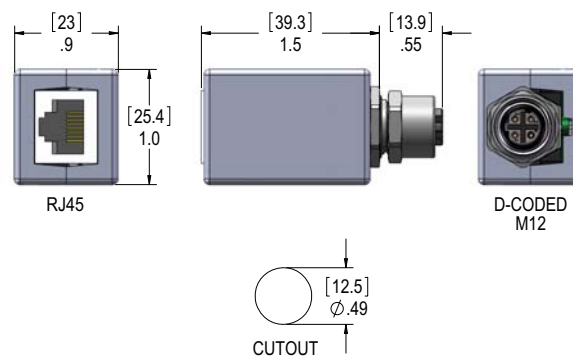


1 = White/Orange (+ TX)
 2 = Orange (- TX)
 3 = White/Green (+ RX)
 4 = N/C
 5 = N/C
 6 = Green (- RX)
 7 = N/C
 8 = N/C

Ethernet Series



MDE45RJ-4MFR-BM



MDE45RJ-4FFR-BM

Ethernet Series Etherplug Receptacles

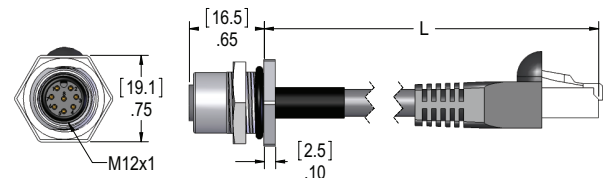
4 Pole D-Coded ❖ 8 Pole ❖ Back Mount to RJ45 with Cat 5 Cable

Etherplug Back Mount Receptacle to RJ45 with Cat 5 Cable						
Face View of Male	# of Poles	Wire AWG Rating	Wiring MDE45 to RJ45	Length	Male Plugs	Female Plugs
	4	24 60V 1A	1 to 1 2 to 3 3 to 2 4 to 6	1 M 2 M 3 M	MDE45-4MR-RJ45-BM-1M MDE45-4MR-RJ45-BM-2M MDE45-4MR-RJ45-BM-3M	MDE45-4FR-RJ45-BM-1M MDE45-4FR-RJ45-BM-2M MDE45-4FR-RJ45-BM-3M
	8	24 60V 1A	1 to 5 2 to 7 3 to 8 4 to 2 5 to 3 6 to 1 7 to 4 8 to 6	1 M 2 M 3 M	MDE45-8MR-RJ45-BM-1M MDE45-8MR-RJ45-BM-2M MDE45-8MR-RJ45-BM-3M	MDE45-8FR-RJ45-BM-1M MDE45-8FR-RJ45-BM-2M MDE45-8FR-RJ45-BM-3M

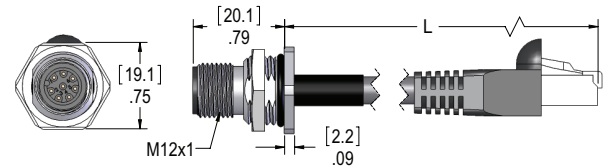
For Cross-Over Color Code, add a "-CC" suffix (e.g. MDE45-8MR-RJ45-BM-2M-CC). Other cable lengths are available. Please consult the factory.

Specifications:

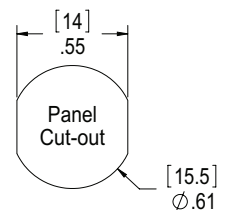
- Shell: Nickel Plated Brass
- Insulator: Polyamide
- Cable: See specifications on page M-26
- Contacts: Copper Alloy with Gold Plating
- O-Ring: BUNA-N
- Temperature: -40°C to +80°C (-40°F to +176°F)
- Protection: IP 67
- Approvals: U.S.: UL Recognized
Canada: C-UL Recognized



Female Receptacle



Male Receptacle



Mencom Standard Cable

MDE45	Color Code	Color	RJ45
1	White/Orange	Orange	1
3			2
2	White/Green	Green	3
4			6

Mencom Standard Cable

MDE45	Color Code	Color	RJ45
6	White/Orange	Orange	1
4			2
1	White/Blue	Blue	5
7			4
5	White/Green	Green	3
8			6
2	White/Brown	Brown	7
3			8

Ethernet Series Etherplug Receptacles

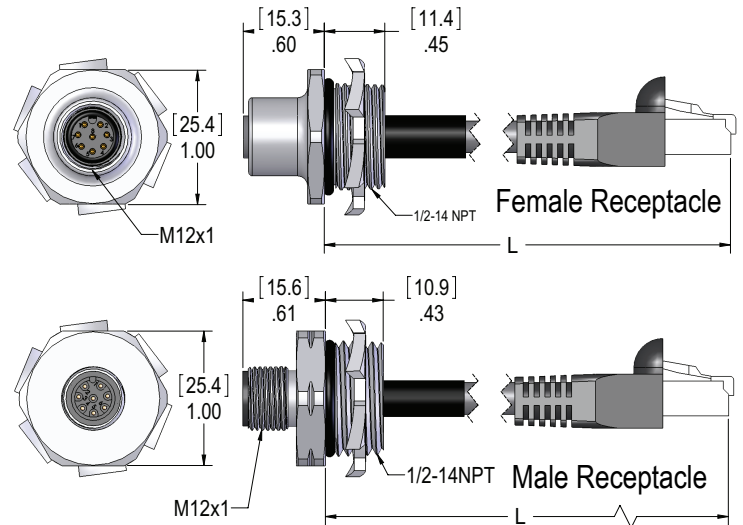
1/2"-14 NPT to RJ45 with Cat 5 Cable

Etherplug Receptacle 1/2" - 14 NPT to RJ45 with Cat 5 Cable						
Face View of Male	# of Poles	Wire AWG Rating	Wiring MDE45 to RJ45	Length	Male Plugs	Female Plugs
	4	24 60V 1A	1 to 1 2 to 3 3 to 2 4 to 6	1 M 2 M 3 M	MDE45-4MR-RJ45-2-1M MDE45-4MR-RJ45-2-2M MDE45-4MR-RJ45-2-3M	MDE45-4FR-RJ45-2-1M MDE45-4FR-RJ45-2-2M MDE45-4FR-RJ45-2-3M
	8	24 60V 1A	1 to 5 2 to 7 3 to 8 4 to 2 5 to 3 6 to 1 7 to 4 8 to 6	1 M 2 M 3 M	MDE45-8MR-RJ45-2-1M MDE45-8MR-RJ45-2-2M MDE45-8MR-RJ45-2-3M	MDE45-8FR-RJ45-2-1M MDE45-8FR-RJ45-2-2M MDE45-8FR-RJ45-2-3M

For Cross-Over Color Code, add a "-CC" suffix (e.g. MDE45-8MR-RJ45-2M-CC). Other cable lengths are available. Please consult the factory.

Specifications:

- Shell: Clear Anodized Aluminum
- Insulator: Polyamide
- Cable: See specifications on page M-26
- Contacts: Copper Alloy with Gold Plating
- O-Ring: BUNA-N
- Temperature: -40°C to +80°C (-40°F to +176°F)
- Protection: IP 67
- Approvals: U.S.: UL Recognized
Canada: C-UL Recognized



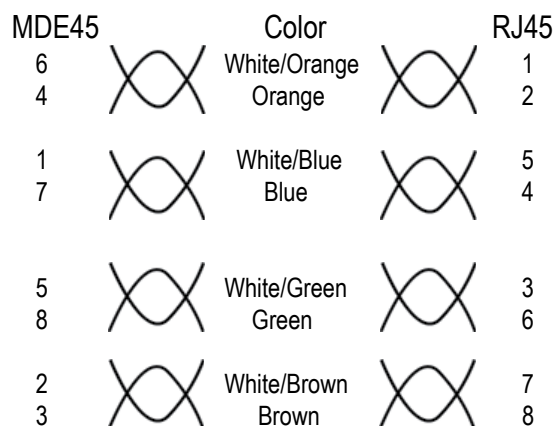
Mencom Standard Cable

Color Code



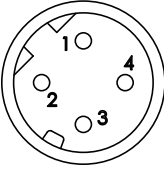
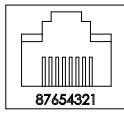
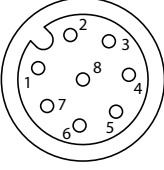
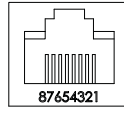
Mencom Standard Cable

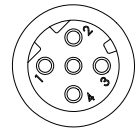
Color Code



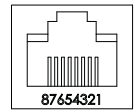
Ethernet Series Etherplug Series Receptacles

Panel Mount Adapter

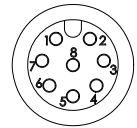
Panel Mount Adapters				
Face View of Male	# of Poles	Wiring MDE45	MDE45 to RJ45	Face View of RJ45
	4	1 to 1 2 to 3 3 to 2 4 to 6	D24-4MDE45-4FR-RJ45	
Face View of Female	# of Poles	Wiring MDC8	MDC8 to RJ45	Face View of RJ45
	8	1 to 5 2 to 7 3 to 8 4 to 2 5 to 3 6 to 1 7 to 4 8 to 6	D24-4MDE45-8FR-RJ45	



- 1 = White/Orange (+ TX)
- 2 = White/Green (+ RX)
- 3 = Orange (- TX)
- 4 = Green (- RX)



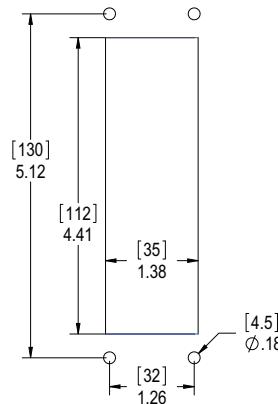
- 1 = White/Orange (+ TX)
- 2 = Orange (- TX)
- 3 = White/Green (+ RX)
- 4 = N/C
- 5 = N/C
- 6 = Green (- RX)
- 7 = N/C
- 8 = N/C



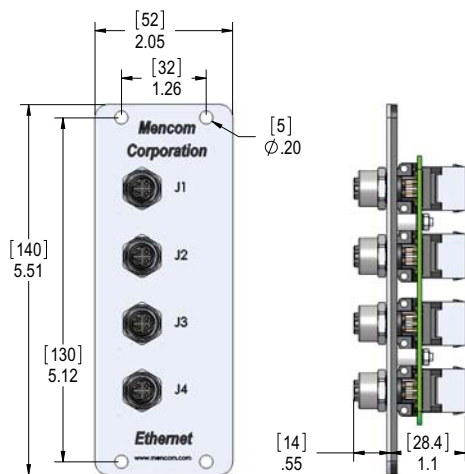
- 1 = White/Blue
- 2 = White/Brown
- 3 = Brown
- 4 = Orange (-TX)
- 5 = White/Green (+RX)
- 6 = White/Orange (+TX)
- 7 = Blue
- 8 = Green (-RX)

Specifications:

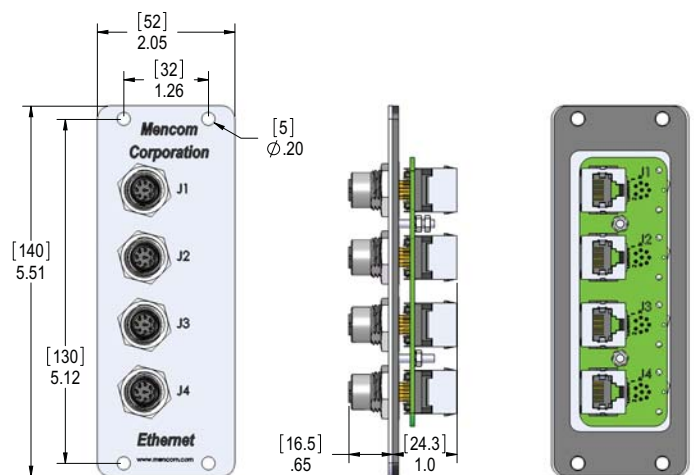
- Plate: Stainless Steel
- M12 Coupling: Nickel Plated Brass
- M12 Insert: Polyamide
- Contacts: Copper Alloy with Gold Plating
- O-Rings: NBR
- Gasket: PVC NBR
- RJ45 Connector.: Cat 5
- Mounting Screws: #8 or M4 Screws
- Shielding: Shield connected between MDE45 Housing and RJ45 Connector
- Temperature: -40°C to +80°C (-40°F to +176°F)
- Protection: IP 65



Cut-out



D24-4MDE45-RJ45





D24-4MDC-8FR-RJ45

M-13

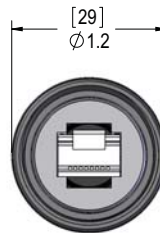
Ethernet Series Etherlink V3 Field Wireable

Male Plug

Etherlink V3 Field Wireable Male Plug			
Front View	# of Poles	Part Number	Side View
	8	E45V3-8MP-FW	

Specifications:

Body: Black Polyamide
 Coupling Nut: Black Anodized Aluminum
 O-Ring: BUNA-N
 Grommets: NBR & TPE
 Protection: IP 67



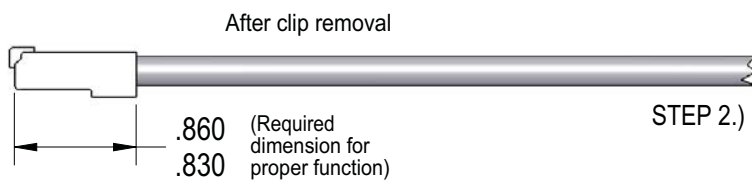
Patented by Mencom Corporation

It is recommended that quality Mencom cables are used with the field wireable connectors to assure an accurate fit. However, if using another brand, the dimensions of the connector must meet the dimensions shown below.

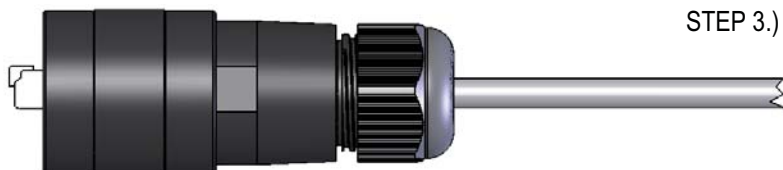
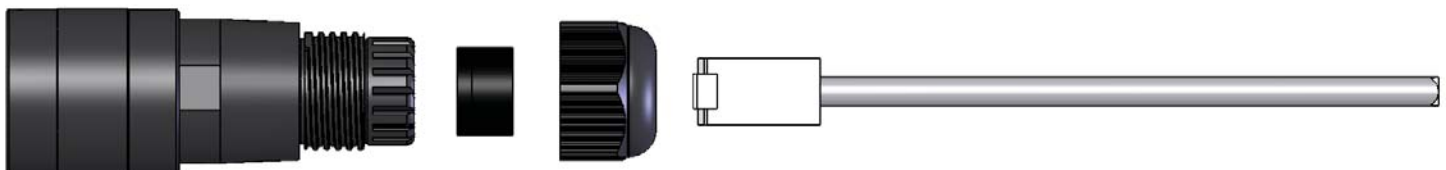
Assembly Instructions



STEP 1.) Remove clip by cutting or by bending it back and forth until it breaks.








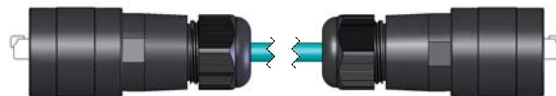
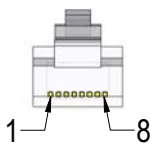

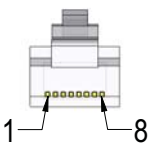
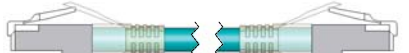
STEP 2.) With connector unassembled, push cable through dome nut, split apart the grommet and wrap it around the cable, then push the cable through the remainder of the connector.



STEP 3.) Push grommet back into the "fingers" of the shell. Rotate cable 90 degrees and pull it back into connector until it stops. With slight tension on cable, tighten dome nut (3.75Nm recommended).

Ethernet Series Etherlink V3 Cordsets

Male Plugs ❖ Male to Male Extension Cables ❖ RJ45 to Male Plug ❖ PVC & PUR Cable

E45V3 to Cable						
Front View	# of Poles	Length	Part Number		Side View	
			PVC Male	PUR Male		
	8	2M 5M 10M	E45V3-8MP-2M E45V3-8MP-5M E45V3-8MP-10M	E45V3P-8MP-2M E45V3P-8MP-5M E45V3P-8MP-10M		
E45V3 to RJ45						
Front View	# of Poles	Length	Part Number		Side View	
			PVC Male	PUR Male		
	8	2M 5M 10M	E45V3-8MP-RJ45-2M E45V3-8MP-RJ45-5M E45V3-8MP-RJ45-10M	E45V3P-8MP-RJ45-2M E45V3P-8MP-RJ45-5M E45V3P-8MP-RJ45-10M		
E45V3 Male to Male Extension Cables						
Front View	# of Poles	Length	Part Number		Side View	
			PVC Male	PUR Male		
	8	2M 5M 10M	E45V3-8MMP-2M E45V3-8MMP-5M E45V3-8MMP-10M	E45V3P-8MMP-2M E45V3P-8MMP-5M E45V3P-8MMP-10M		
RJ45 Male to Male Plug						
Front View	# of Poles	Wire AWG Rating	Length	Part Number		Side View
				PVC**	PUR	
	8	24 60V 1A	3 FT 7 FT 10 FT 15 FT 25 FT	RJ45-3 RJ45-7 RJ4-10 RJ45-15 RJ45-25	RJ45P-3 RJ45P-7 RJ45P-10 RJ45P-15 RJ45P-25	
RJ45 Male to Male Plug with Strain Relief						
Front View	# of Poles	Wire AWG Rating	Length	Part Number		Side View
				PVC**	PUR	
	8	24 60V 1A	3 FT 7 FT 10 FT 15 FT 25 FT	RJ45-8MMP-3 RJ45-8MMP-7 RJ45-8MMP-10 RJ45-8MMP-15 RJ45-8MMP-25	RJ45P-8MMP-3 RJ45P-8MMP-7 RJ45P-8MMP-10 RJ45P-8MMP-15 RJ45P-8MMP-25	

Other cable lengths are available. Please consult the factory. **Cable Specifications on Page M-26 do not apply to these cables.

Ethernet Series Etherlink V3 Receptacles

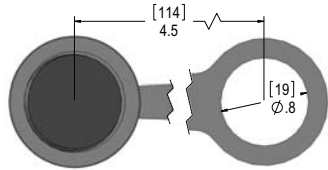
Female Receptacles

Etherlink V3 Female Receptacle to Male Plug with Cat 5 Cable					
Front View	# of Poles	Wire AWG Rating	Length	Part Number	Side View
	8	24 60V 1A	1 FT 3 FT 7 FT	E45V3-8FMR-1-M25 E45V3-8FMR-3-M25 E45V3-8FMR-7-M25	
Etherlink V3 Female Receptacle to 110 Punchdown Block					
Front View	# of Poles	Wire AWG Rating	Part Number	Side View	
	8	20 - 26 AWG Solid Copper Wire	E45V3-8FR-110-M25		
Etherlink V3 Female Receptacle to Female Receptacle					
Front View	# of Poles	Part Number	Side View		
	8	E45V3-8FFR-M25 E45V3-8FFR-M25-CP*			
Etherlink V3 Field Wireable to Female Receptacle Solder to Board					
Front View	# of Poles	Part Number	Side View		
	8	E45V3-8FR-FW-M25			


Accessories

Part Number: E45V3-CAP

Top View of Cap



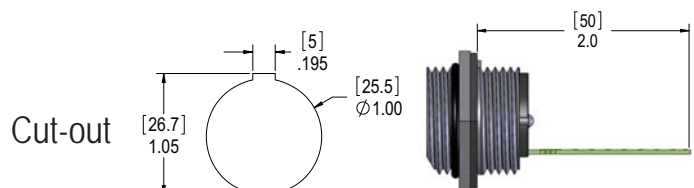
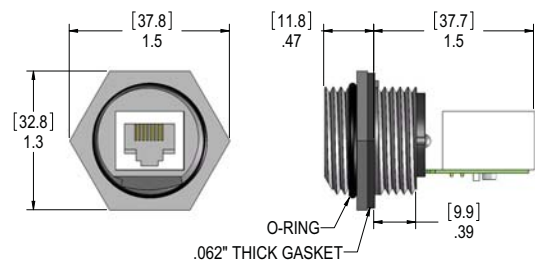
Protective Lock Nut



* Add a "-CP" as a suffix to order the Etherlink V3 Female Receptacle with cap. Protective Lock Nut provided with each receptacle.



Specifications:

Insulator: Polyamide
 Cable: CAT 5 with PVC Jacket
 Contacts: Copper Alloy with Gold Plating
 O-Ring: BUNA-N
 Temperature: -40°C to +80°C (-40°F to +176°F)
 Protection: IP 67



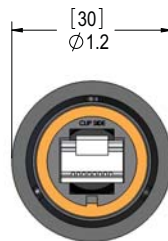
Ethernet Series Etherlink V1 Field Wireable

Male Plug

Etherlink V1 Field Wireable Male Plug			
Front View	# of Poles	Part Number	Side View
	8	E45V1-8MP-FW	

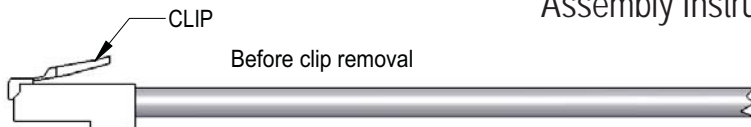
Specifications:

Body: Black Polyamide
 Coupling Nut: Black Anodized Aluminum
 O-Ring: BUNA-N
 Grommets: NBR & TPE
 Protection: IP 67
 Patented by Mencom Corporation

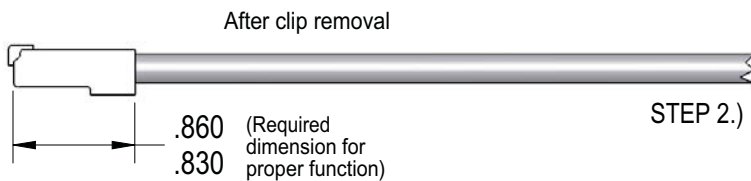


It is recommended that quality Mencom cables are used with the field wireable connectors to assure an accurate fit. However, if using another brand, the dimensions of the connector must meet the dimensions shown below.

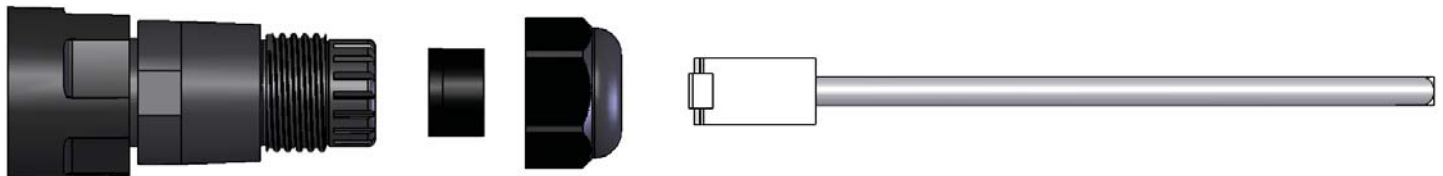
Assembly Instructions



STEP 1.) Remove clip by cutting or by bending it back and forth until it breaks.








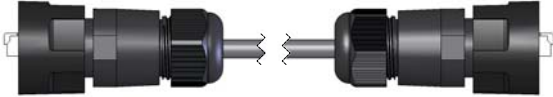
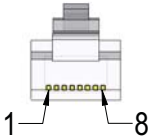
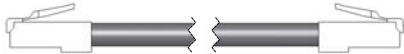
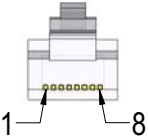

STEP 2.) With connector unassembled, push cable through dome nut, split apart the grommet and wrap it around the cable, then push the cable through the remainder of the connector.



STEP 3.) Push grommet back into the "fingers" of the shell. Rotate cable 90 degrees and pull it back into connector until it stops. With slight tension on cable, tighten dome nut (3.75Nm recommended).

Ethernet Series Etherlink V1 Cordsets

Male Plugs ❖ Male to Male Extension Cables ❖ RJ45 to Male Plug ❖ PVC & PUR Cable

E45V1 to Cable						
Front View	# of Poles	Length	Part Number		Side View	
			PVC Male	PUR Male		
	8	2M 5M 10M	E45V1-8MP-2M E45V1-8MP-5M E45V1-8MP-10M	E45V1P-8MP-2M E45V1P-8MP-5M E45V1P-8MP-10M		
E45V1 to RJ45						
Front View	# of Poles	Length	Part Number		Side View	
			PVC Male	PUR Male		
	8	2M 5M 10M	E45V1-8MP-RJ45-2M E45V1-8MP-RJ45-5M E45V1-8MP-RJ45-10M	E45V1P-8MP-RJ45-2M E45V1P-8MP-RJ45-5M E45V1P-8MP-RJ45-10M		
E45V3 Male to Male Extension Cables						
Front View	# of Poles	Length	Part Number		Side View	
			PVC Male	PUR Male		
	8	2M 5M 10M	E45V1-8MMP-2M E45V1-8MMP-5M E45V1-8MMP-10M	E45V1P-8MMP-2M E45V1P-8MMP-5M E45V1P-8MMP-10M		
RJ45 Male to Male Plug						
Front View	# of Poles	Wire AWG Rating	Length	Part Number		Side View
				PVC**	PUR	
	8	24 60V 1A	3 FT 7 FT 10 FT 15 FT 25 FT	RJ45-3 RJ45-7 RJ4-10 RJ45-15 RJ45-25	RJ45P-3 RJ45P-7 RJ45P-10 RJ45P-15 RJ45P-25	
RJ45 Male to Male Plug with Strain Relief						
Front View	# of Poles	Wire AWG Rating	Length	Part Number		Side View
				PVC**	PUR	
	8	24 60V 1A	3 FT 7 FT 10 FT 15 FT 25 FT	RJ45-8MMP-3 RJ45-8MMP-7 RJ45-8MMP-10 RJ45-8MMP-15 RJ45-8MMP-25	RJ45P-8MMP-3 RJ45P-8MMP-7 RJ45P-8MMP-10 RJ45P-8MMP-15 RJ45P-8MMP-25	

Other cable lengths are available. Please consult the factory. **Cable Specifications on Page M-26 do not apply to these cables.

Ethernet Series Etherlink V1 Receptacles

Female Receptacles

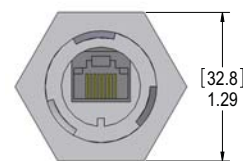
Etherlink V1 Female Receptacle to Male Plug with Cat 5 Cable					
Front View	# of Poles	Wire AWG Rating	Length	Part Number	Side View
	8	24 60V 1A	1 FT 3 FT 7 FT	E45V1-8FMR-1-M25 E45V1-8FMR-3-M25 E45V1-8FMR-7-M25	
Etherlink V1 Female Receptacle to 110 Punchdown Block					
Front View	# of Poles	Wire AWG Rating	Part Number	Side View	
	8	20 - 26 AWG Solid Copper Wire	E45V1-8FR-110-M25		
Etherlink V1 Female Receptacle to Female Receptacle					
Front View	# of Poles	Part Number	Side View		
	8	E45V1-8FFR-M25 E45V1-8FFR-M25-CP*			
Etherlink V1 Field Wireable to Female Receptacle Solder to Board					
Front View	# of Poles	Part Number	Side View		
	8	E45V1-8FR-FW-M25			

Accessories
Part Number: E45V1-CAP
Top View of Cap
Protective Lock Nut

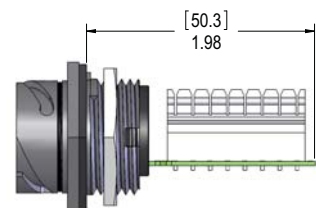
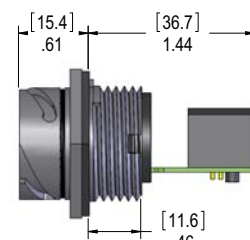
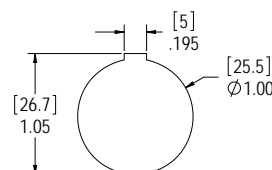
* Add a "-CP" as a suffix to order the Etherlink V1 Female Receptacle with cap.
Protective Lock Nut provided with each receptacle.

Specifications:

Insulator: Polyamide
 Cable: CAT 5 with PVC Jacket
 Contacts: Copper Alloy with Gold Plating
 O-Ring: BUNA-N
 Temperature: -40°C to +80°C (-40°F to +176°F)
 Protection: IP 67



Cut-out



Ethernet Series Etherlink V1 Receptacles

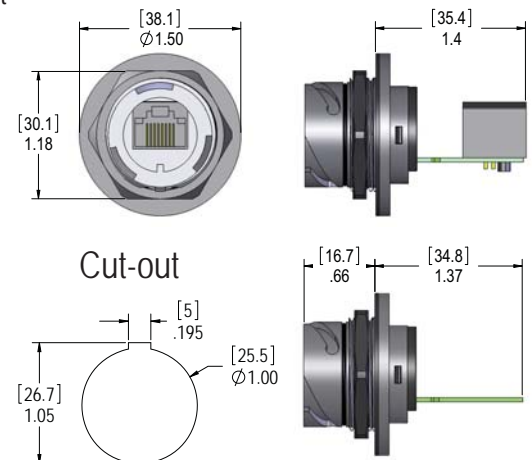
Female Receptacles

Etherlink V1 Female Receptacle Back Mount to Male Plug with Cat 5 Cable					
Front View	# of Poles	Wire AWG Rating	Length	Part Number	Side View
	8	24 60V 1A	1 FT 3 FT 7 FT	E45V1-8FMR-1-BM E45V1-8FMR-3-BM E45V1-8FMR-7-BM	
Etherlink V1 Female Receptacle Back Mount to 110 Punchdown Block					
Front View	# of Poles	Wire AWG Rating	Part Number	Side View	
	8	20 - 26 AWG Solid Copper Wire	E45V1-8FR-110-BM		
Etherlink V1 Female Receptacle Back Mount to Female Receptacle					
Front View	# of Poles	Part Number	Side View		
	8	E45V1-8FFR-BM E45V1-8FFR-BM-CP*			
Etherlink V1 Field Wireable to Female Receptacle Back Mount Solder to Board					
Front View	# of Poles	Part Number	Side View		
	8	E45V1-8FR-FW-BM			
Accessories					
Part Number: E45V1-CAP					
Top View of Cap					
Protective Lock Nut					

* Add a "-CP" as a suffix to order the Etherlink V1 Female Receptacle with can Protective Lock Nut provided with each receptacle.

Specifications:





Insulator: Polyamide
 Cable: CAT 5 with PVC Jacket
 Contacts: Copper Alloy with Gold Plating
 O-Ring: BUNA-N
 Temperature: -40°C to +80°C (-40°F to +176°F)
 Protection: IP 67



Ethernet Series Accessories

RJ45 Field Wireable Connector Accessories & Tools



RJ45 Field Wireable Connector Accessories & Tools		
Description	Part Number	Side View
Cat 5/5e male RJ45 connector	RJ45-EZ5-FW	
Shielded Cat 5/5e male RJ45 connector	RJ45S-EZ5-FW	
Clear Cat 5e cable strain relief for RJ45-EZ and RJ45S-EZ	RJ45-EZ-SR-CL	
Crimp Tool for RJ45-EZ and RJ45S-EZ connectors	RJ45-EZ-CT	
Replacement blades for RJ45-EZ-CT	RJ45-EZ-CT-RB	

RJ45 Crimp Instructions

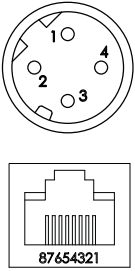
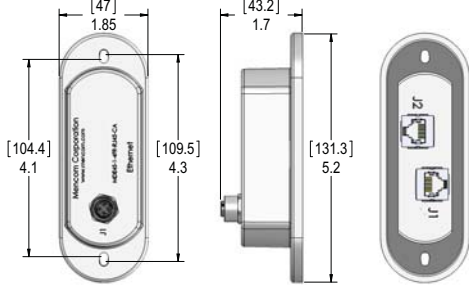
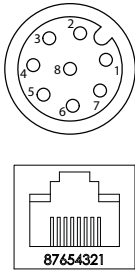
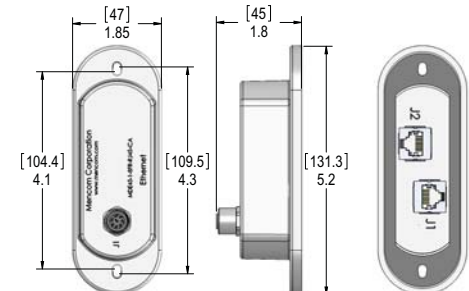
1. Strip off approximately two inches of outer cable jacket.
2. Untwist and straighten wires. Place in the desired order for wiring. (see wiring chart)
3. Trim wire ends so all conductors are the same length.
4. Insert wires into the connector and pull connector down over the cable jacket. Cable jacket should seat snugly in rear of connector.
5. Push the connector into the crimp tool, making sure it is fully seated in the crimp cavity.
6. Crimp the connector and break off any remaining loose wires.

Typical T568A / T568B Wiring Chart		
Wire	T568A	T568B
1	White/Green	White/Orange
2	Green	Orange
3	White/Orange	White/Green
4	Blue	Blue
5	White/Blue	White/Blue
6	Orange	Green
7	White/Brown	White/Brown
8	Brown	Brown



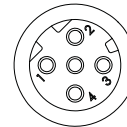
Ethernet Series Accessories

Conduit Adapters ❖ MDE45 to RJ45 ❖ 1 Port

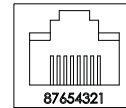
Conduit Adapters RJ45			
Face Views	# of Poles	Part Number	Top View
	4	MDE45-1-4FR-RJ45-CA	
	8	MDE45-1-8FR-RJ45-CA	

Specifications:

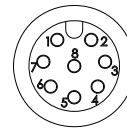
- Housing: Glass Filled PBT
- Recp. Shell: Nickel Plated Brass
- Insert: Polyamide
- Contacts: Copper Alloy with Gold Plating
- Gasket: NBR
- Temperature: -40°C to +70°C (-40°F to +158°F)
- Protection: IP 65



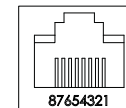
- 1 = White/Orange (+ TX)
- 2 = White/Green (+ RX)
- 3 = Orange (- TX)
- 4 = Green (- RX)



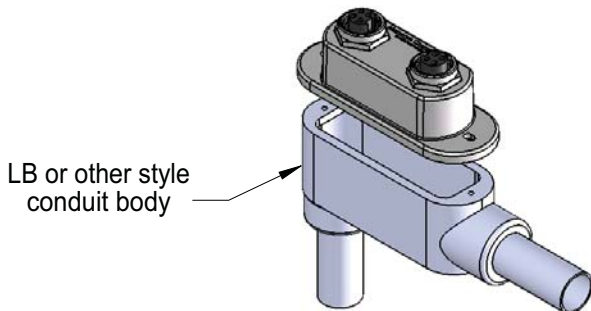
- 1 = White/Orange (+ TX)
- 2 = Orange (- TX)
- 3 = White/Green (+ RX)
- 4 = N/C
- 5 = N/C
- 6 = Green (- RX)
- 7 = N/C
- 8 = N/C



- 1 = White/Blue
- 2 = White/Brown
- 3 = Brown
- 4 = Orange (-TX)
- 5 = White/Green (+RX)
- 6 = White/Orange (+TX)
- 7 = Blue
- 8 = Green (-RX)



- 1 = White/Orange (+TX)
- 2 = Orange (-TX)
- 3 = White/Green (+RX)
- 4 = Blue
- 5 = White/Blue
- 6 = Green (-RX)
- 7 = White/Brown
- 8 = Brown

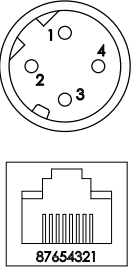
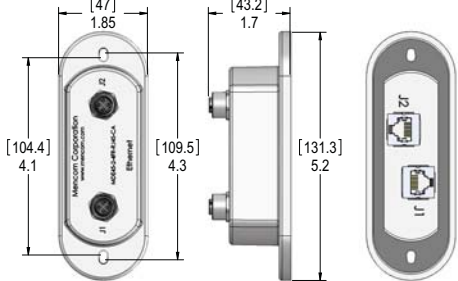
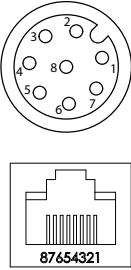
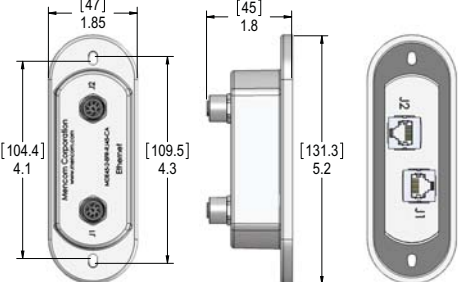


Remove existing Conduit Body cover and replace with Mencom Conduit Adapter.

Works with all standard 3/4" NPT conduit bodies, including Form 8 and Mark 9 adapters. (screws are included with adapter)

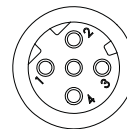
Ethernet Series Accessories

Conduit Adapters ❖ MDE45 to RJ45 ❖ 2 Port

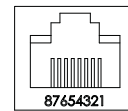
Conduit Adapters RJ45			
Face Views	# of Poles	Part Number	Top View
	4	MDE45-2-4FR-RJ45-CA	
	8	MDE45-2-8FR-RJ45-CA	

Specifications:

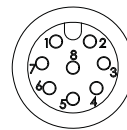
Housing: Glass Filled PBT
 Recp. Shell: Nickel Plated Brass
 Insert: Polyamide
 Contacts: Copper Alloy with Gold Plating
 Gasket: NBR
 Temperature: -40°C to +70°C (-40°F to +158°F)
 Protection: IP 65



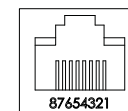
1 = White/Orange (+ TX)
 2 = White/Green (+ RX)
 3 = Orange (- TX)
 4 = Green (- RX)



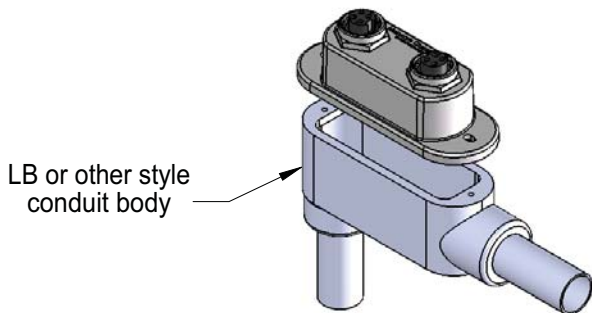
1 = White/Orange (+ TX)
 2 = Orange (- TX)
 3 = White/Green (+ RX)
 4 = N/C
 5 = N/C
 6 = Green (- RX)
 7 = N/C
 8 = N/C



1 = White/Blue
 2 = White/Brown
 3 = Brown
 4 = Orange (-TX)
 5 = White/Green (+RX)
 6 = White/Orange (+TX)
 7 = Blue
 8 = Green (-RX)



1 = White/Orange (+TX)
 2 = Orange (-TX)
 3 = White/Green (+RX)
 4 = Blue
 5 = White/Blue
 6 = Green (-RX)
 7 = White/Brown
 8 = Brown

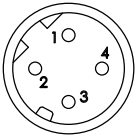
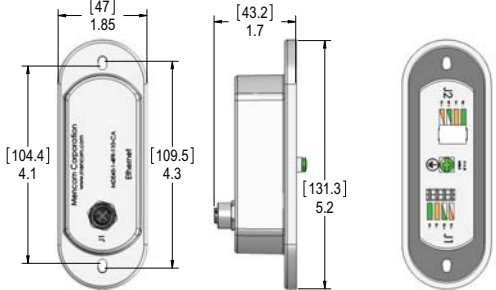
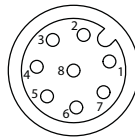
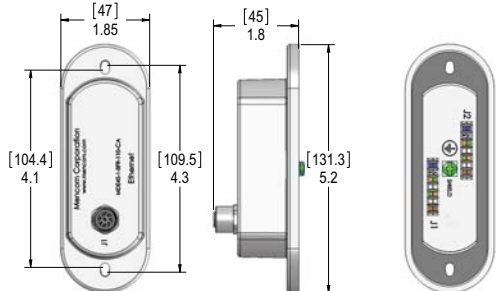


Remove existing Conduit Body cover and replace with Mencom Conduit Adapter.

Works with all standard 3/4" NPT conduit bodies, including Form 8 and Mark 9 adapters. (screws are included with adapter)

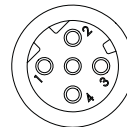
Ethernet Series Accessories

Conduit Adapters ❖ MDE45 to 110 Punchdown ❖ 1 Port

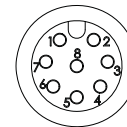
Conduit Adapters 110 Punchdown			
Face Views	# of Poles	Part Number	Top View
	4	MDE45-1-4FR-110-CA	
	8	MDE45-1-8FR-110-CA	

Specifications:

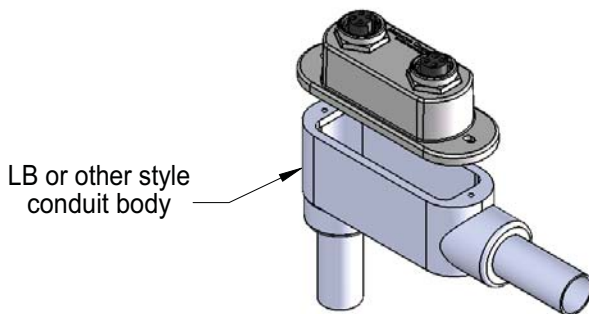
Housing: Glass Filled PBT
 Recp. Shell: Nickel Plated Brass
 Insert: Polyamide
 Contacts: Copper Alloy with Gold Plating
 Gasket: NBR
 Temperature: -40°C to +70°C (-40°F to +158°F)
 Protection: IP 65



1 = White/Orange (+ TX)
 2 = White/Green (+ RX)
 3 = Orange (- TX)
 4 = Green (- RX)



1 = White/Blue
 2 = White/Brown
 3 = Brown
 4 = Orange (-TX)
 5 = White/Green (+RX)
 6 = White/Orange (+TX)
 7 = Blue
 8 = Green (-RX)

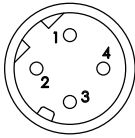
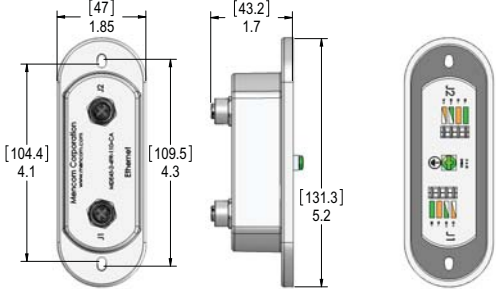
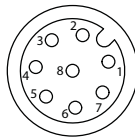
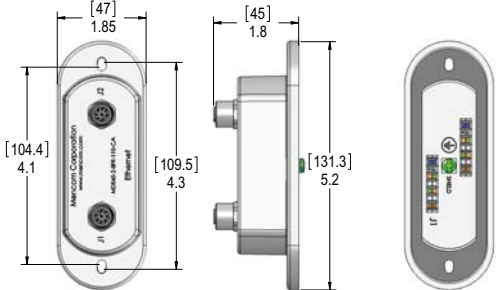


Remove existing Conduit Body cover and replace with Mencom Conduit Adapter.

Works with all standard 3/4" NPT conduit bodies, including Form 8 and Mark 9 adapters. (screws are included with adapter)

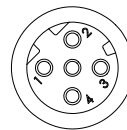
Ethernet Series Accessories

Conduit Adapters ❖ MDE45 to 110 Punchdown ❖ 2 Port

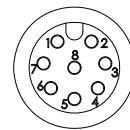
Conduit Adapters 110 Punchdown			
Face Views	# of Poles	Part Number	Top View
	4	MDE45-2-4FR-110-CA	
	8	MDE45-2-8FR-110-CA	

Specifications:

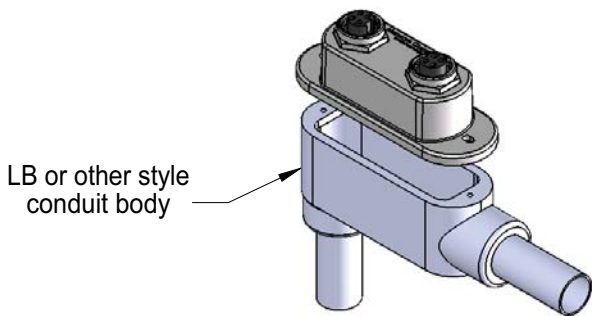
- Housing: Glass Filled PBT
- Recp. Shell: Nickel Plated Brass
- Insert: Polyamide
- Contacts: Copper Alloy with Gold Plating
- Gasket: NBR
- Temperature: -40°C to +70°C (-40°F to +158°F)
- Protection: IP 65



- 1 = White/Orange (+ TX)
- 2 = White/Green (+ RX)
- 3 = Orange (- TX)
- 4 = Green (- RX)



- 1 = White/Blue
- 2 = White/Brown
- 3 = Brown
- 4 = Orange (-TX)
- 5 = White/Green (+RX)
- 6 = White/Orange (+TX)
- 7 = Blue
- 8 = Green (-RX)



Remove existing Conduit Body cover and replace with Mencom Conduit Adapter.

Works with all standard 3/4" NPT conduit bodies, including Form 8 and Mark 9 adapters. (screws are included with adapter)

Ethernet Series Cable Specifications

PVC ❖ Polyurethane

	<u>PVC Cable</u>	<u>Polyurethane Cable</u>
<u>Cable Construction:</u>		
Conductors:	24 AWG, 7/32 Tinned copper. 0.61mm dia. nom.	24 AWG, 7/32 Tinned copper. 0.61mm dia. nom.
Conductor Insulation:	High density polyethylene. 1.05mm max dia.	High density polyethylene. 1.05mm max dia.
Conductor Pairing:	Color coded singles twisted into pairs. 2.10mm max dia.	Color coded singles twisted into pairs. 2.10mm max dia.
Cable:	4 pairs twisted together with tissue wrap. 4.14mm dia. nom.	4 pairs twisted together with tissue wrap. 4.14mm dia. nom. Shielded Version: Polyurethane
Jacketing:	Teal PVC. .64mm nom. thickness. Cable dia. 5.7mm nom.	Black PUR. .51mm nom. thickness. Cable dia. 5.6mm nom.
<u>Physical Properties:</u>		
Operating Temperature:	Min -40°C, Max 60°C	Min -40°C, Max 75°C
Weight kg/km:	38	31
Resistance:	UV and oil resistant jacketing	UV and oil resistant jacketing
<u>Electrical Characteristics:</u>		
Capacitance, Mutual:	13.5Pf/ft @ 1 MHz	13.5Pf/ft @ 1 MHz
Dielectric Withstanding, min:	900V RMS	1500V RMS
Voltage Rating, max:	30V	300V
DC Resistance, max:	26.0 Ohms	26.0 Ohms
Impedance		
1-100 MHz	100 +/- 15 Ohms	100 +/- 15 Ohms
100-350 MHz	100 +/- 20 Ohms	100 +/- 20 Ohms
SRL		
1-20 MHz	23 dB	23 dB
20-100 MHz	23 - 10 Log(F/20)	23 - 10 Log(F/20)
Return Loss		
1-10 MHz	20 + 5 Log(F) dB min	20 + 5 Log(F) dB
10-20 MHz	25 Db min	min 25 Db min
20-100 MHz	25 - 8.6 Log(F/20) dB min	25 - 8.6 Log(F/20)
PS Next	71 - 15 Log(F/.772) min	dB min 71 - 15 Log(F/.772)
Next	73 - 15 Log(F/.772) min	min 73 - 15 Log(F/.772)
PS Elfext	67 - 20 Log(F/.772) min	min 67 - 20 Log(F/.772)
Elfext	67 - 20 Log(F/.772) min	min 67 - 20 Log(F/.772)
Delay	534 + 36/Sqrt(F)	min 534 + 36/Sqrt(F)
Delay Skew	1-100 MHz <25Ns	<25Ns
LCL	1-100 MHz -38dB min	-38dB min

Ethernet Series Cable Specifications & RJ45 Kits

PVC ❖ Polyurethane

PVC Cable

Polyurethane Cable

Attenuation:

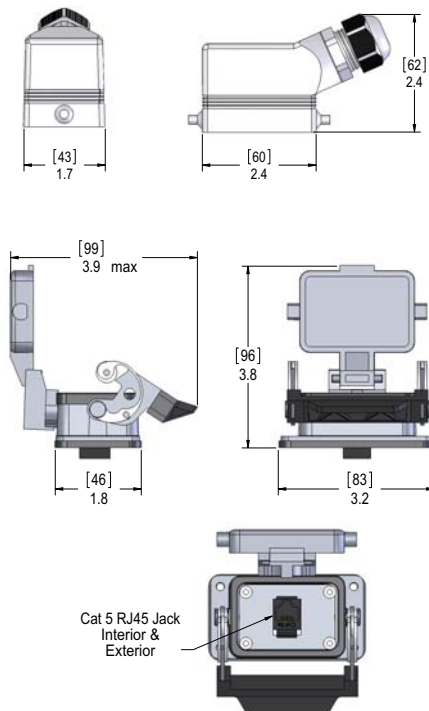
Frequency	spec 70m of cable (Cat 5e channel)	Attenuation Per meter
1.0	2.5	0.36
4.0	4.5	0.64
8.0	6.3	0.9
10.0	7.0	0.1
16.0	9.2	0.13
20.0	10.3	0.15
25.0	11.4	0.16
31.25	12.8	0.18
62.5	18.5	0.26
100.0	24.0	0.343

Frequency	spec 70m of cable (Cat 5e channel)	Attenuation Per meter
1.0	2.5	0.36
4.0	4.5	0.64
8.0	6.3	0.9
10.0	7.0	0.1
16.0	9.2	0.13
20.0	10.3	0.15
25.0	11.4	0.16
31.25	12.8	0.18
62.5	18.5	0.26
100.0	24.0	0.343

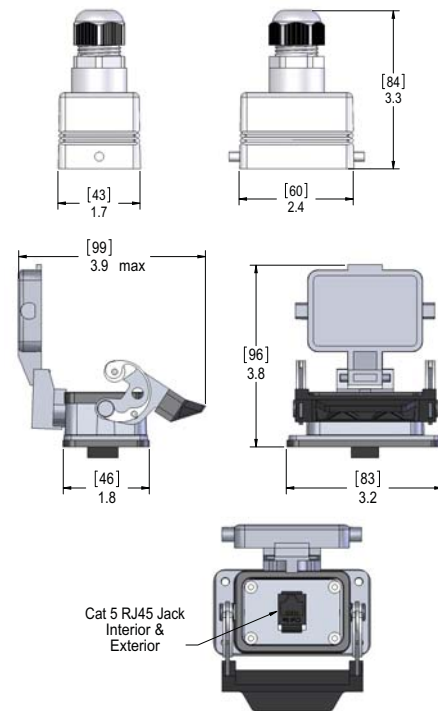
Note: All testing is conducted off the reel and without connectors attached.

Heavy Duty Ethernet Connection System

Part Number: RJ45-CKIT



Part Number: RJ45-CVKIT



These units are designed to be used with Mencom RJ45 Patch Cords:

- Part Numbers: RJ45-03 3 foot patch cord
- RJ45-07 7 foot patch cord
- RJ45-10 10 foot patch cord
- RJ45-15 15 foot patch cord

Other lengths are available, please consult the factory.

