



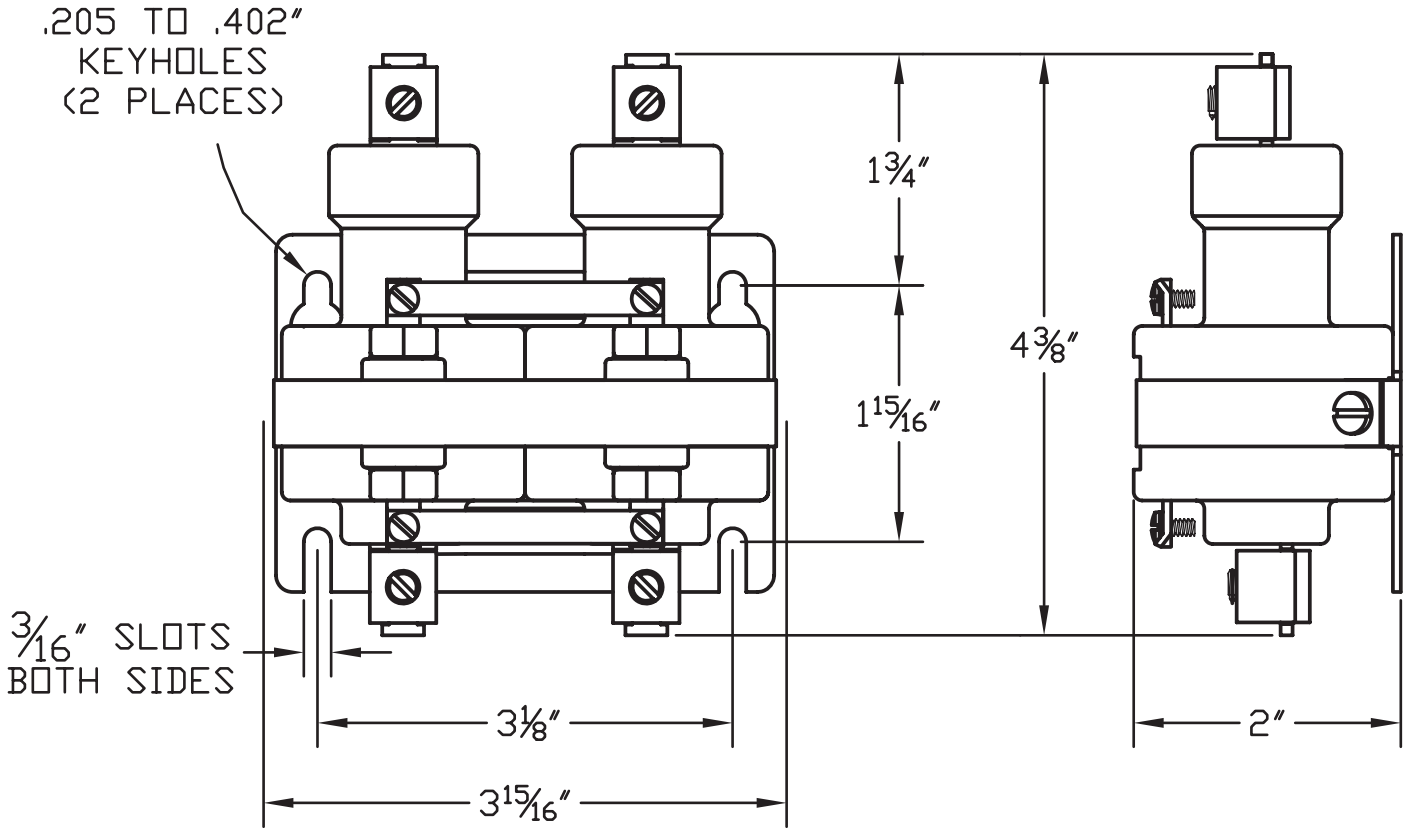
MERCURY DISPLACEMENT INDUSTRIES, INC.

Post Office Box 710 - U.S. 12 East - Edwardsburg, Michigan 49112-0710

Phone (269) 663-8574 - Fax (269) 663-2924

(800) 634-4077

260NO-24DH-18



* CONTACT RESISTANCE .002 ohms

* DIELECTRIC WITHSTAND 2,500 VAC RMS

* OPERATE TIME 50 MILLISECONDS

* RELEASE TIME 80 MILLISECONDS

* RATINGS:

CONTACTS: 60 AMPS @ 480 VAC
RESISTIVE OR GENERAL PURPOSE

COIL: 24 V.D.C.

CURRENT: 342 mA

RESISTANCE: 70 Ω

VA: 8.2 WATTAGE: 8.2

* TEMPERATURE RANGE -35° TO +85° C

* COIL TERMINALS #6 BINDING HEAD SCREWS
TORQUE TO 7 IN-LB

* LOAD TERMINALS 2-8 A.W.G. COMPRESSION
TYPE TORQUE TO 45 IN-LB

* 2 POLE / SINGLE THROW

* MAGNETICALLY ACTIVATED

* MERCURY CONTACTOR



INDUSTRIAL CONTROL EQUIPMENT

* LIFE CYCLE ENDURANCE TESTS: U.L. 508 @ 100,00 & CSA 22.2 @ 250,000 CYCLES

Contactors - Relays - Switches

J.J.S. 01-10-2014

<http://www.mdious.com>