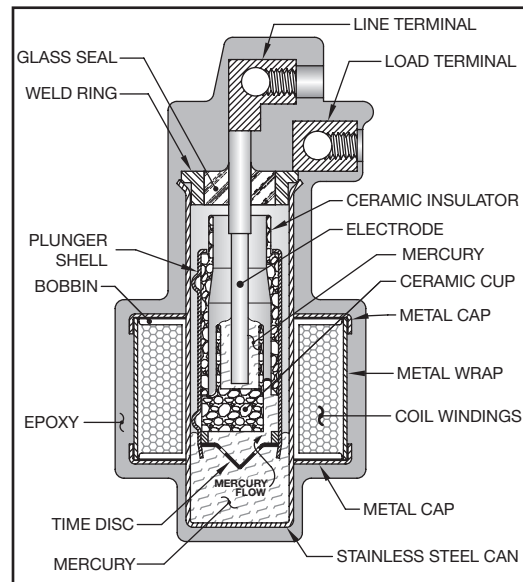
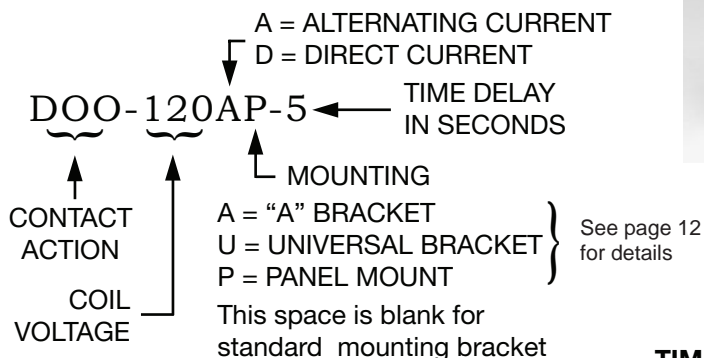


MDI's Time Delay CONTACT ACTION is designated as follows:

- DOO: Delay on operate, normally open
- DORO: Delay on operate and release, normally open
- DRO: Delay on release, normally open
- DORC: Delay on operate and release, normally closed
- DRC: Delay on release, normally closed

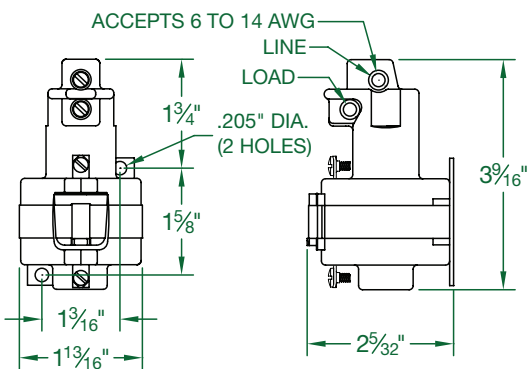
HOW TO ORDER

Specify as shown below

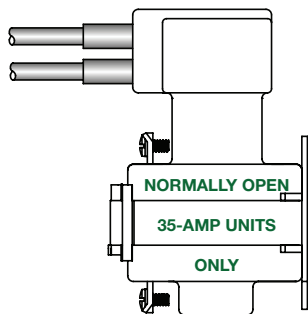


TIME DELAY RELAYS Are available with delays of up to 15 seconds on normally open units, and 4 seconds on normally closed units. The timing limitation depends on the contact action required. A time delay function is accomplished in this unit by sizing a hole in the time disc that will control the rate of the mercury flow. This controls the time it will take from the instant the coil is powered until the mercury pools make contact with each other, closing the circuit between the load terminals. Typical contact ratings 10 AMP @ 120 VAC. Pilot duty rating 720 VA. Common coil voltages are available. Standard load terminals are compression type. Coil terminals use #6 binding head screws.

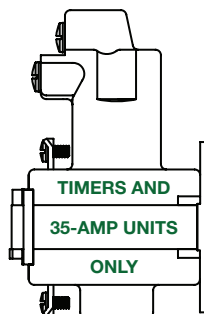
Made in the USA



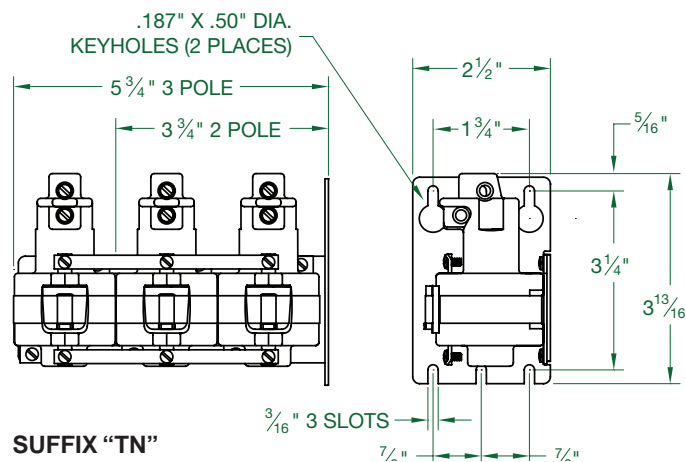
OPTIONAL TERMINATIONS



L-1 (Leaded)
Designated by the letters "L-1" in the catalog number suffix. For normally open 35-amp units. Height 3-3/16" other dimensions same as standard (page 8).



TS (Top Screws)
Designated by the letters "TS" in the catalog number suffix. For timers and 35-amp units. (Dimensions same as T-Top see page 8).



SUFFIX "TN"
Two or Three Pole 35 AMP Only.
Load terminals on top for shorter overall height.