



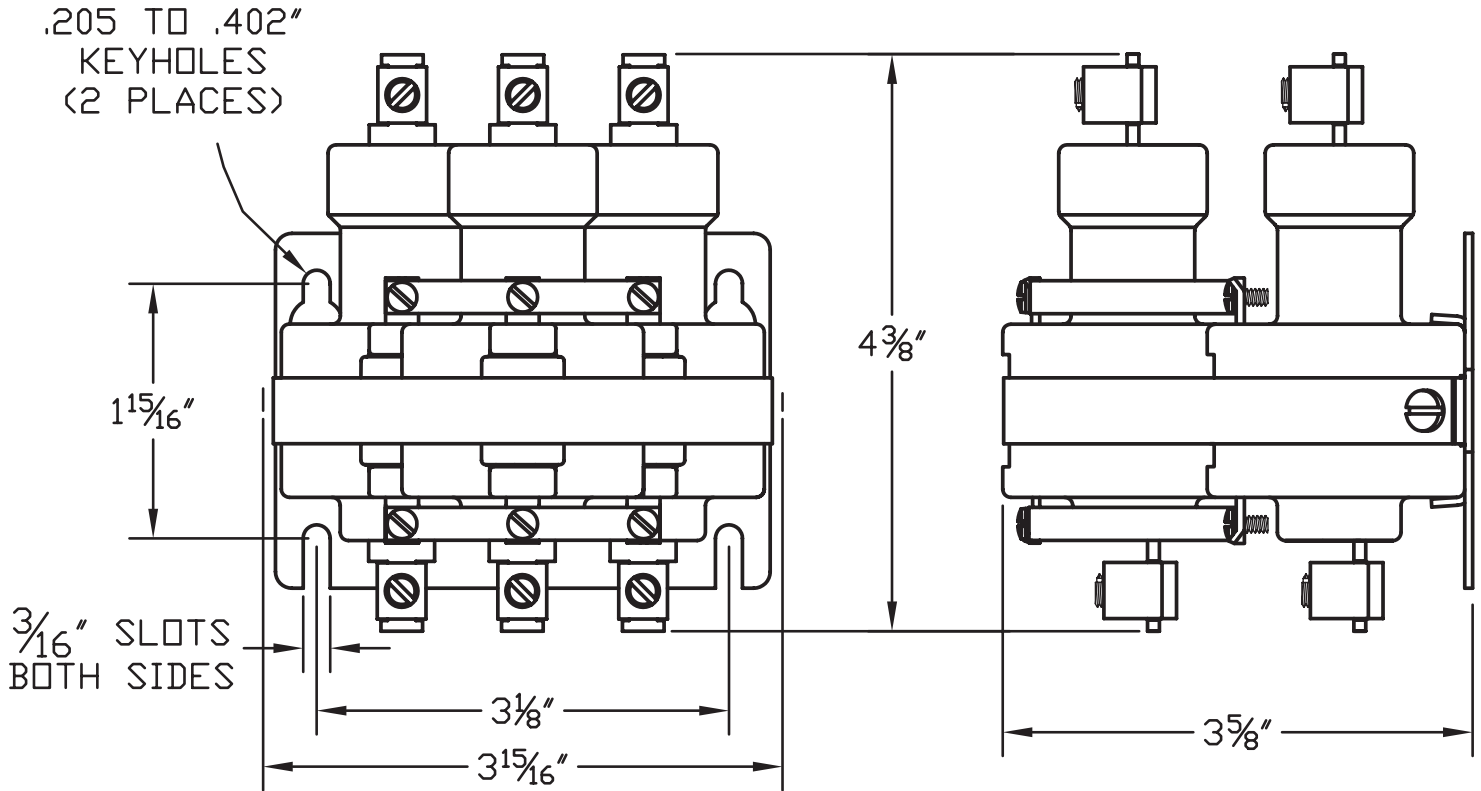
MERCURY DISPLACEMENT INDUSTRIES, INC.

Post Office Box 710 - U.S. 12 East - Edwardsburg, Michigan 49112-0710

Phone (269) 663-8574 - Fax (269) 663-2924

(800) 634-4077

335NO-24D-18



* CONTACT RESISTANCE .003 ohms

* DIELECTRIC WITHSTAND 2,500 VAC RMS

* OPERATE TIME 50 MILLISECONDS

* RELEASE TIME 80 MILLISECONDS

* RATINGS:

CONTACTS: 35 AMPS @ 600 VAC RES.

COIL: 24 V.D.C.

CURRENT: 408mA

RESISTANCE: 59Ω

VA: 9.9 WATTAGE: 9.9

* TEMPERATURE RANGE -35° TO +85° C

* COIL TERMINALS #6 BINDING HEAD SCREWS
TORQUE TO 7-IN-LBS

* LOAD TERMINALS 4-14 A.W.G. COMPRESSION TYPE
TORQUE TO 31.5 IN-LBS

* 3 POLE / SINGLE THROW

* MAGNETICALLY ACTIVATED



INDUSTRIAL CONTROL EQUIPMENT

* LIFE CYCLE ENDURANCE TESTS: U.L. 508 @ 100,00 & CSA 22.2 @ 250,000 CYCLES

J.J.S. 05-21-08