



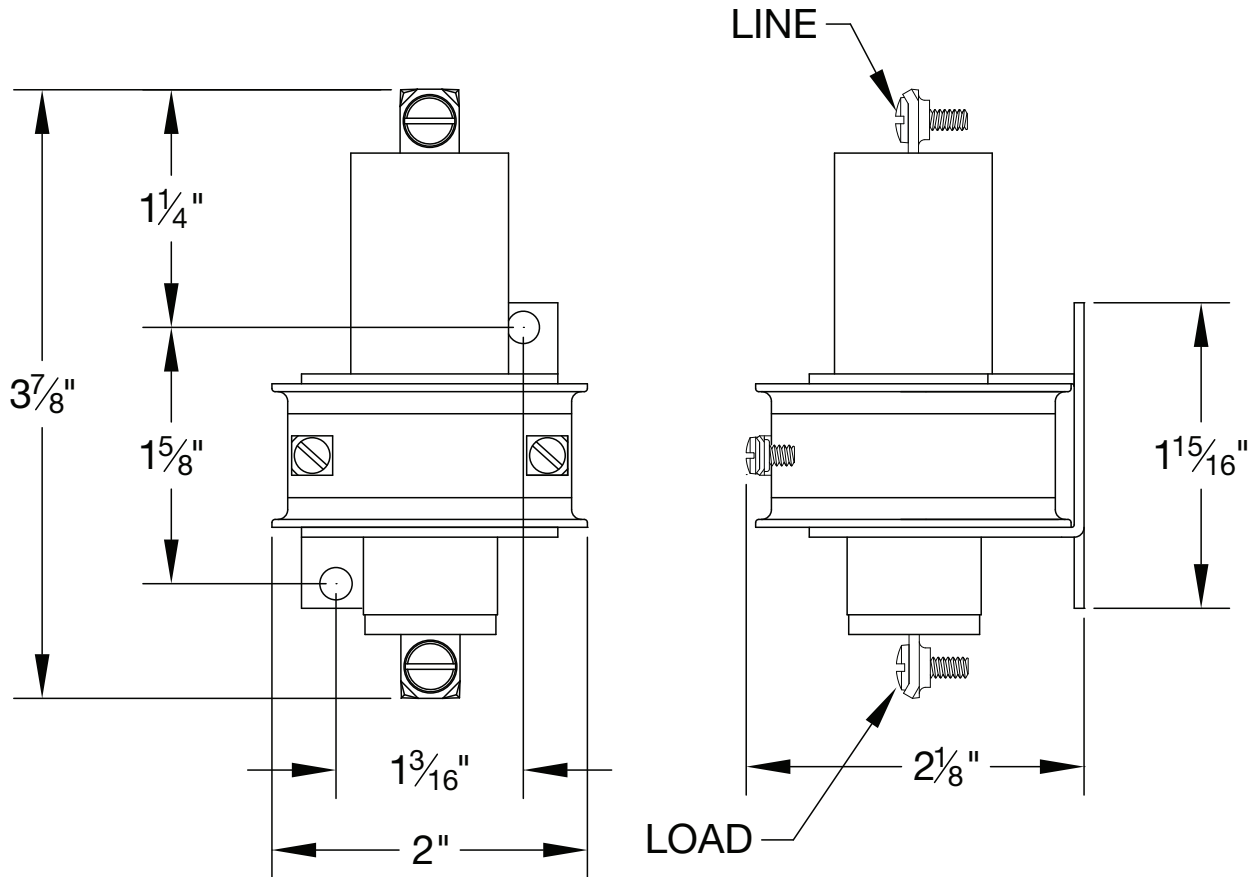
MERCURY DISPLACEMENT INDUSTRIES, INC.

Post Office Box 710 - U.S. 12 East - Edwardsburg, Michigan 49112-0710

Phone (269) 663-8574 - Fax (269) 663-2924

(800) 634-4077

30NO-24D



* CONTACT RESISTANCE .003 ohms

* DIELECTRIC WITHSTAND 2,500 VAC RMS

* OPERATE TIME 50 MILLISECONDS

* RELEASE TIME 80 MILLISECONDS

* RATINGS:

CONTACTS: 30 AMP @ 600 VAC
RESISTIVE

COIL: 24 V.D.C.

CURRENT: 133mA

RESISTANCE: 180 Ω

VA: 3.2 WATTAGE: 3.2

* TEMPERATURE RANGE -35° TO +85° C

* COIL TERMINALS 1/4" QUICK CONNECT

* LOAD TERMINALS 4-14 A.W.G. COMPRESSION
TYPE TORQUE TO 31.5 IN-LB

* SINGLE POLE / SINGLE THROW

* MAGNETICALLY ACTIVATED

* MERCURY CONTACTOR



INDUSTRIAL CONTROL EQUIPMENT

* LIFE CYCLE ENDURANCE TESTS: U.L. 508 @ 100,00 & CSA 22.2 @ 250,000 CYCLES

Contactors - Relays - Switches

<http://www.mdious.com>