



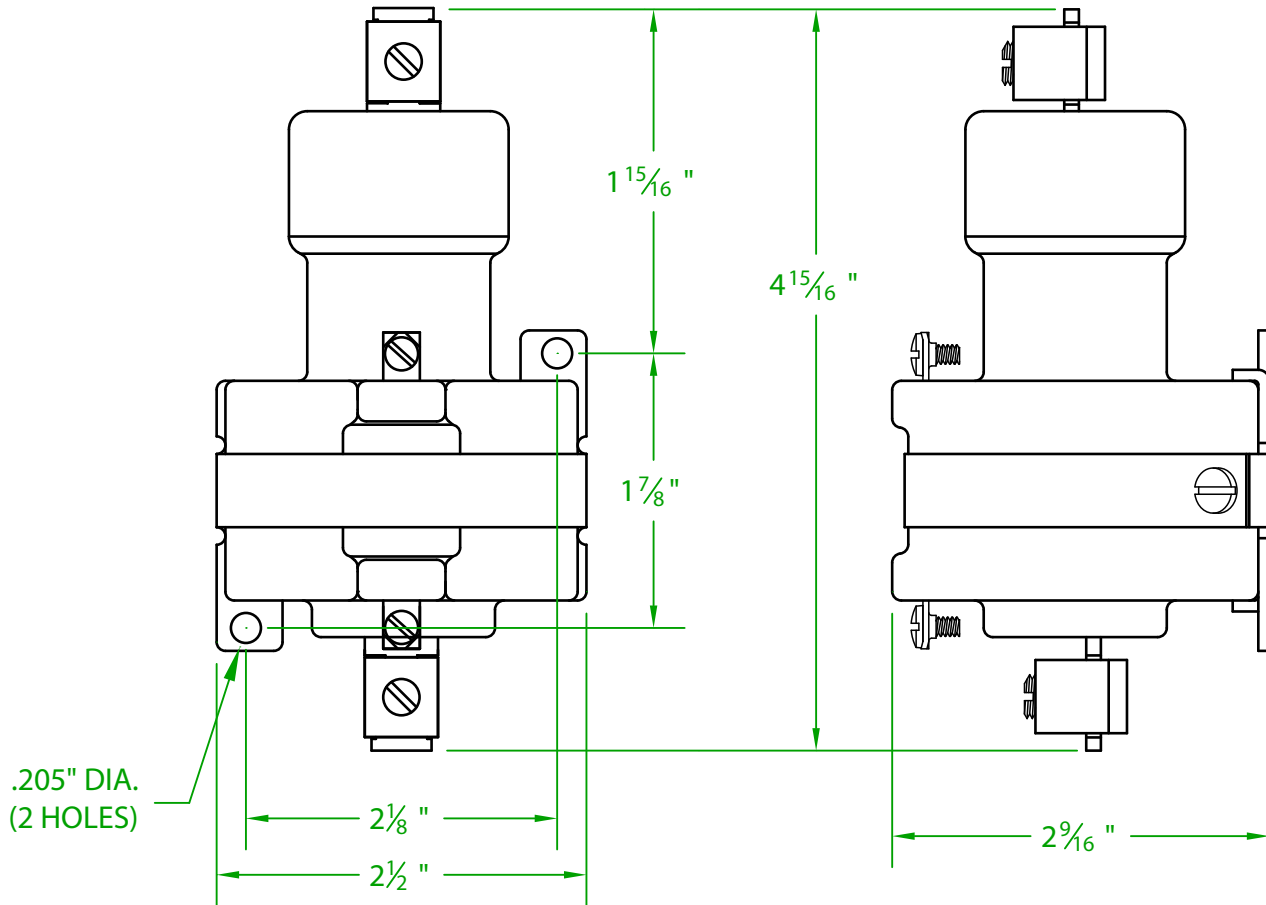
# MERCURY DISPLACEMENT INDUSTRIES, INC.

Post Office Box 710 - U.S. 12 East - Edwardsburg, Michigan 49112-0710

Phone (269) 663-8574 - Fax (269) 663-2924

(800) 634-4077

## S100NO-120AH



- \* CONTACT RESISTANCE .001 ohms
- \* DIELECTRIC WITHSTAND 2,500 VAC RMS
- \* OPERATE TIME 50 MILLISECONDS
- \* RELEASE TIME 80 MILLISECONDS
- \* RATINGS:
  - CONTACTS: 100 AMPS @ 480 VAC
  - COIL: 120V 50/60 Hz
  - RESISTIVE OR GENERAL PURPOSE

- \* TEMPERATURE RANGE  $-35^{\circ}$  TO  $+85^{\circ}$  C
- \* COIL TERMINALS #6 BINDING HEAD SCREWS  
TORQUE TO 7 IN-LB
- \* LOAD TERMINALS 1-8 A.W.G. COMPRESSION  
TYPE TORQUE TO 45 IN-LB
- \* SINGLE POLE / SINGLE THROW
- \* MAGNETICALLY ACTIVATED
- \* MERCURY CONTACTOR

Contactors - Relays - Switches

<http://www.mdius.com>