



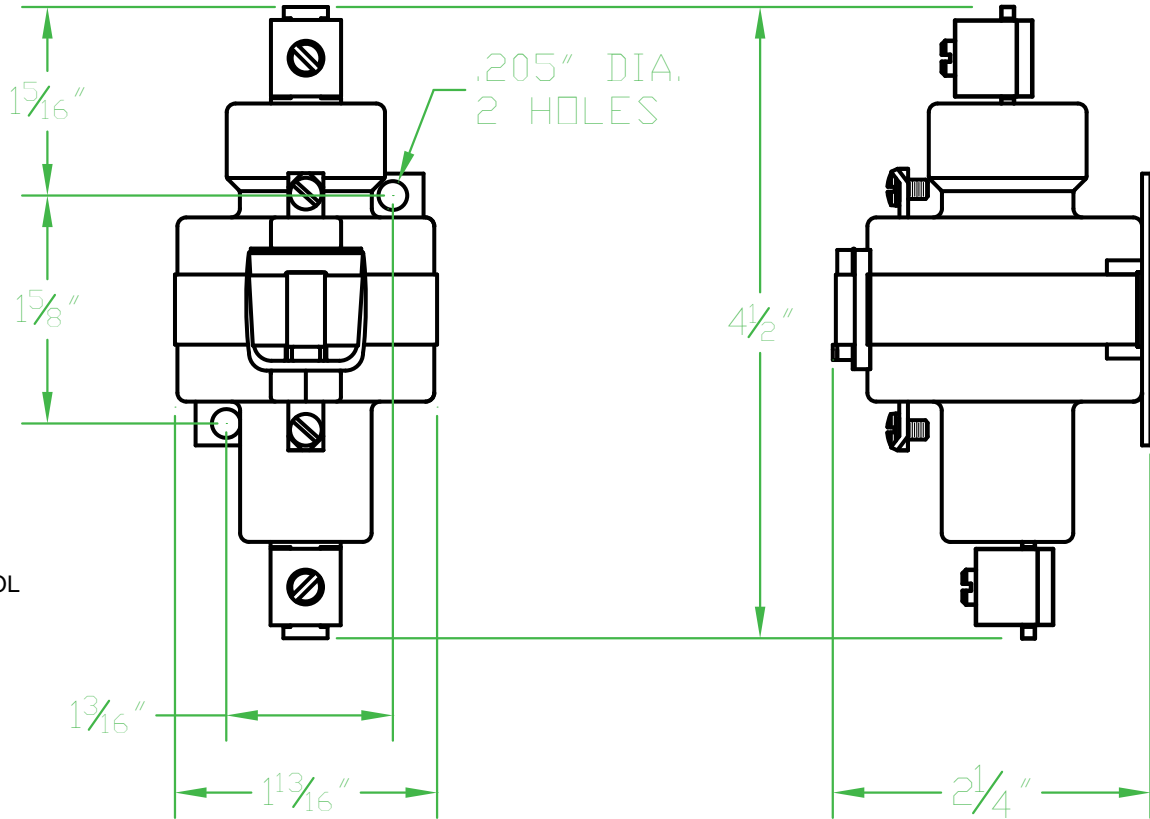
# MERCURY DISPLACEMENT INDUSTRIES, INC.

Post Office Box 710 - U.S. 12 East - Edwardsburg, Michigan 49112-0710

Phone (269) 663-8574 - Fax (269) 663-2924

(800) 634-4077

## 60NC-24D



INDUSTRIAL CONTROL  
EQUIPMENT



\* CONTACT RESISTANCE .002 ohms

\* DIELECTRIC WITHSTAND 2,500 VAC RMS

\* OPERATE TIME 30 MILLISECONDS

\* RELEASE TIME 35 MILLISECONDS

\* RATINGS:

CONTACTS: 60 AMP @ 480 VAC

RESISTIVE OR GEN. PUPOSE

COIL: 24 V.D.C.

CURRENT: 171mA

RESISTANCE: 140 Ω

VA: 4.1 WATTAGE: 3.3

\* TEMPERATURE RANGE -35° TO +85° C

\* COIL TERMINALS #6 BINDING HEAD SCREWS  
TORQUE TO 7 IN-LB

\* LOAD TERMINALS 2-8 A.W.G. COMPRESSION  
TYPE TORQUE TO 45 IN-LB

\* SINGLE POLE / SINGLE THROW

\* MAGNETICALLY ACTIVATED

\* MERCURY CONTACTOR

\* LIFE CYCLE ENDURANCE TESTS: U.L. 508 @ 100,00 & CSA 22.2 @ 250,000 CYCLES

Contactors - Relays - Switches

J.J.S. 10-13-2010  
Rev. 02-28-2013

<http://www.mdious.com>