



MERCURY DISPLACEMENT INDUSTRIES, INC.

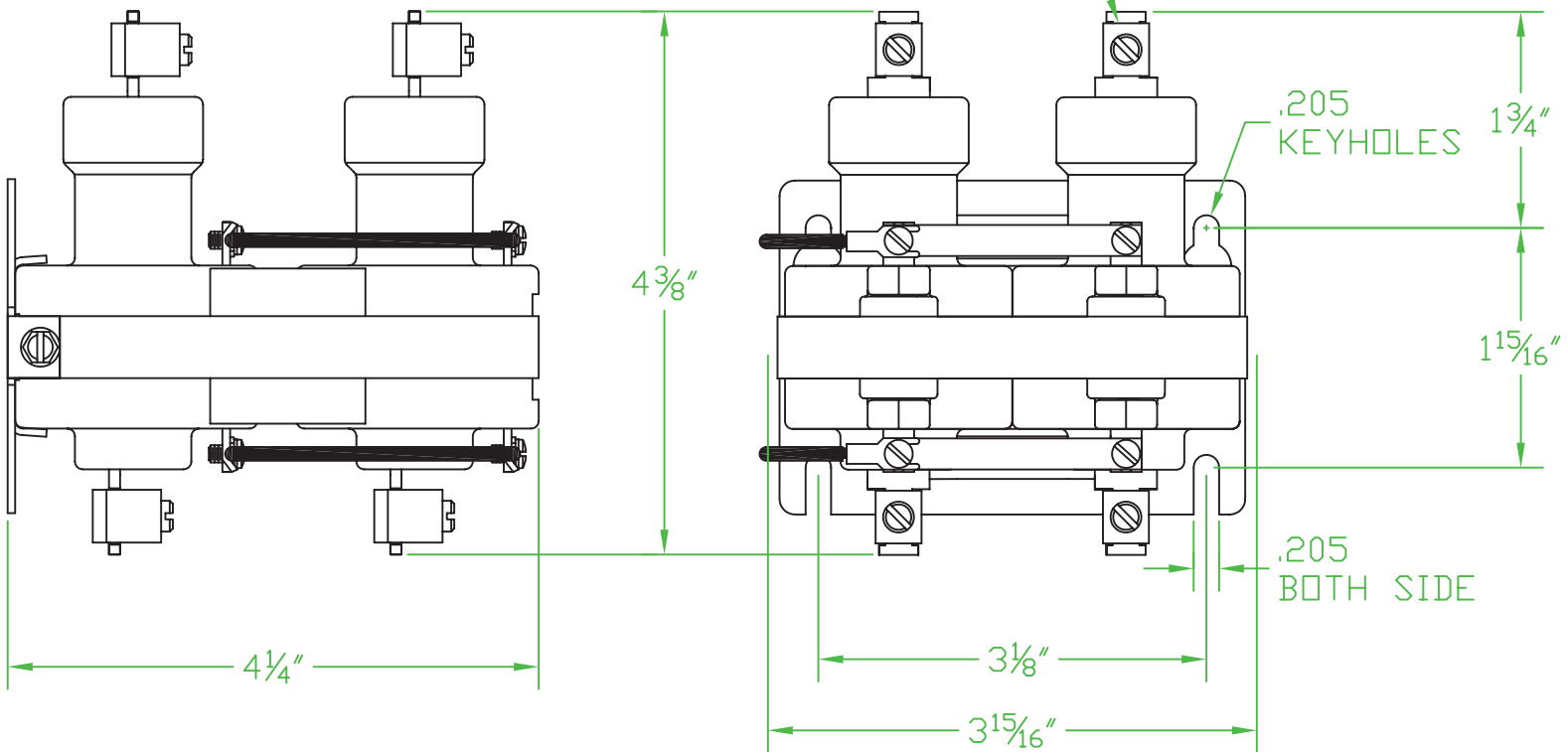
Post Office Box 710 - U.S. 12 East - Edwardsburg, Michigan 49112-0710

Phone (269) 663-8574 - Fax (269) 663-2924

(800) 634-4077

4 POLE 35/60 AMP NORMALLY OPEN

LOAD CONNECTERS: #4 TO #14 AWG FOR 35 AMP
#2 TO #8 AWG FOR 60 AMP



Contactors - Relays - Switches

<http://www.mdious.com>