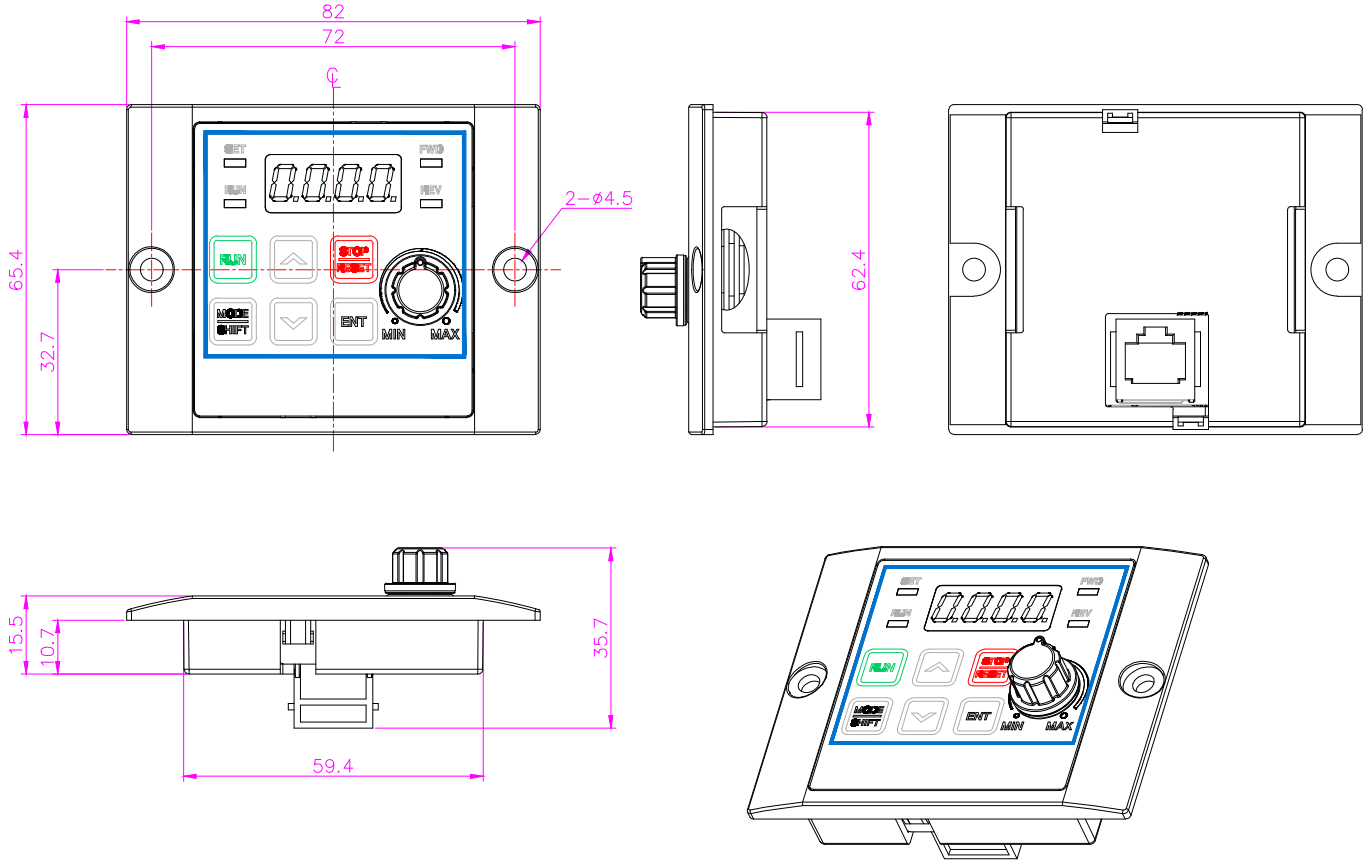


# LSLV-G100 Series



Applied product

**LSLV-G100 REMOTE KEYPAD**