

ACCESSORIES

UDC, DC Device Columns



Device Columns enable free-standing floor mounting for Multiple Light Beam Safety Devices and Safety Light Curtains

Free-standing optoelectronic protective devices are subject to special requirements with regard to mounting, alignment quality and long-term stability of the installation. The UDC/DC device mounting columns are optimized for these requirements and are especially well-suited for the mounting of Leuze electronic Multiple Light Beam Safety Devices and Safety Light Curtains. A precise vertical and axial alignment of the safety sensors in the columns is an easy option despite the all-round protection.

DC Device Columns without base can be used on exactly level system parts.

When installed free-standing on any type of floor, the UDC Device Columns really show their strengths. Firmly anchored in the floor, they reliably protect the sensors against damage with their robust construction. Spring elements in the base of the device columns ensure easy alignment and automatic resetting to the initial position after mechanical impacts (blows, knocks).

**UDC, DC
Device Columns**
p. 498

Muting Sensor Sets
p. 502

UMC deflecting mirror
columns
p. 510, 514

US Deflecting Mirrors
p. 512

UM60 Deflecting
Mirrors
p. 516

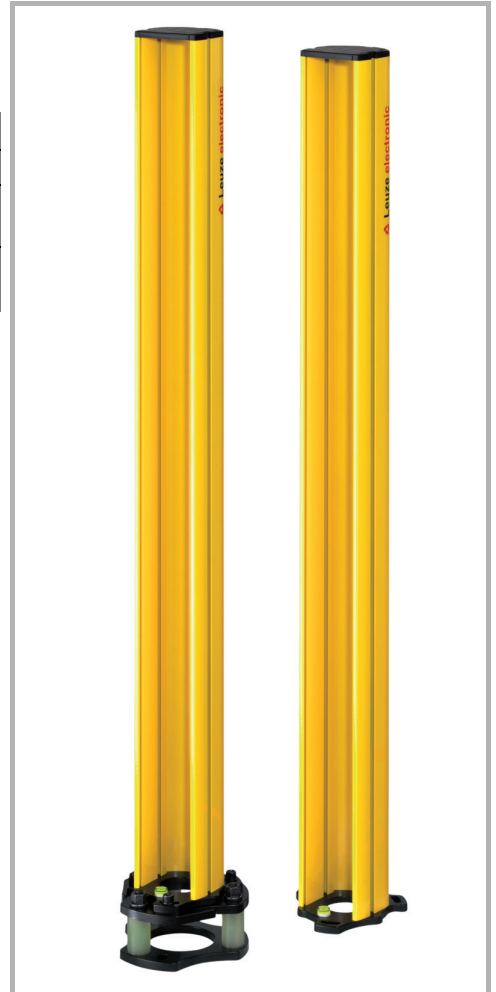
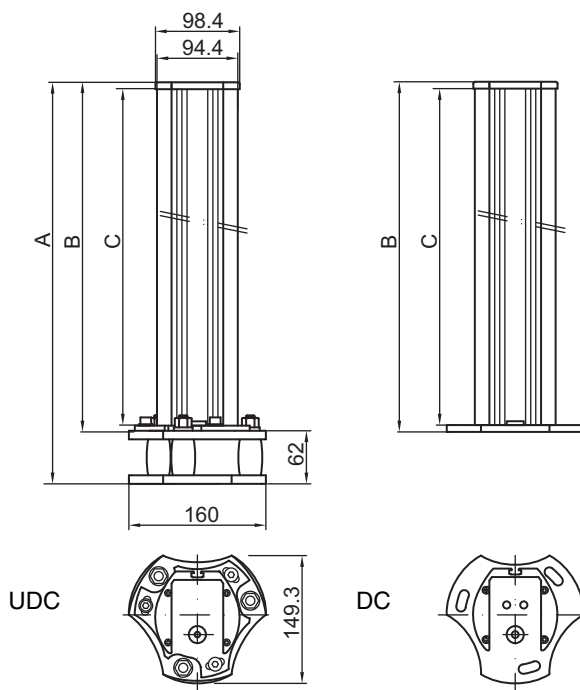
UDC, DC DEVICE COLUMNS

Features

- Easy vertical and axial adjustment of the safety sensors in the column
- Easy height adjustment of the built-in sensor with a supplied mounting set
- Additional protection of the front side with easily insertable PSC protective screens
- Automatic resetting after mechanical impacts with special spring elements in the base of the UDC Device Column

Please note the additional information at www.leuze.com/en/sensor-accessories

Dimensional drawings



Further information	Page
● Ordering information	500
● UMC mirror columns	510

Dimensions table

Article	Dim. A	Dim. B	Dimension C
UDC/DC-900-S2	900	840	820
UDC/DC-1000-S2	1060	1000	980
UDC/DC-1300-S2	1360	1300	1280

Dimensions in mm

Article	Dim. A	Dim. B	Dimension C
UDC/DC-1600-S2	1660	1600	1580
UDC/DC-1900-S2	1960	1900	1880
UDC/DC-2500-S2	2560	2500	2480

www.leuze.com/en/sensor-accessories/

ACCESSORIES

Ordering information

Part no.	Article	Description	Suitable for sensors with complete installation
UDC Device Columns - clamp brackets for device installation, mounting kit for floor assembly included			
549855	UDC-900-S2	Device Column with automatic resetting	up to total length of 740 mm
549856	UDC-1000-S2	Device Column with automatic resetting	up to total length of 900 mm
549852	UDC-1300-S2	Device Column with automatic resetting	up to total length of 1200 mm
549853	UDC-1600-S2	Device Column with automatic resetting	up to total length of 1500 mm
549854	UDC-1900-S2	Device Column with automatic resetting	up to total length of 1800 mm
549857	UDC-2500-S2	Device Column with automatic resetting	up to total length of 2400 mm
DC Device Column - clamp brackets for device installation included			
549620	DC-900-S2	Device Column with fixed mounting plate	up to total length of 740 mm
549621	DC-1000-S2	Device Column with fixed mounting plate	up to total length of 900 mm
549622	DC-1300-S2	Device Column with fixed mounting plate	up to total length of 1200 mm
549623	DC-1600-S2	Device Column with fixed mounting plate	up to total length of 1500 mm
549624	DC-1900-S2	Device Column with fixed mounting plate	up to total length of 1800 mm
549625	DC-2500-S2	Device Column with fixed mounting plate	up to total length of 2400 mm
Accessories			
426196	MS-UDC/UMC-S2	Replacement column base with spring elements	
424417	BT-2P40	2 clamp brackets for device installation in the column	incl. screws and sliding blocks
426185	PSC-900-S2	2 protective screens for UDC/DC-900-S2 Device Column	Length: 820 mm
426186	PSC-1000-S2	2 protective screens for UDC-/DC1000-S2 Device Column	Length: 980 mm
426187	PSC-1300-S2	2 protective screens for UDC/DC-1300-S2 Device Column	Length: 1280 mm
426188	PSC-1600-S2	2 protective screens for UDC/DC-1600-S2 Device Column	Length: 1580 mm
426189	PSC-1900-S2	2 protective screens for UDC/DC-1900-S2 Device Column	Length: 1880 mm
426190	PSC-2500-S2	2 protective screens for UDC/DC-2500-S2 Device Column	Length: 2480 mm

*) Please note that the range of the safety sensor is reduced by approx. 10% per screen with the use of protective screens.

UDC, DC DEVICE COLUMNS

Safety Switches

Safety Locking
Devices

Safety Command
Devices

Safety Relays

Programmable
Safety Controllers

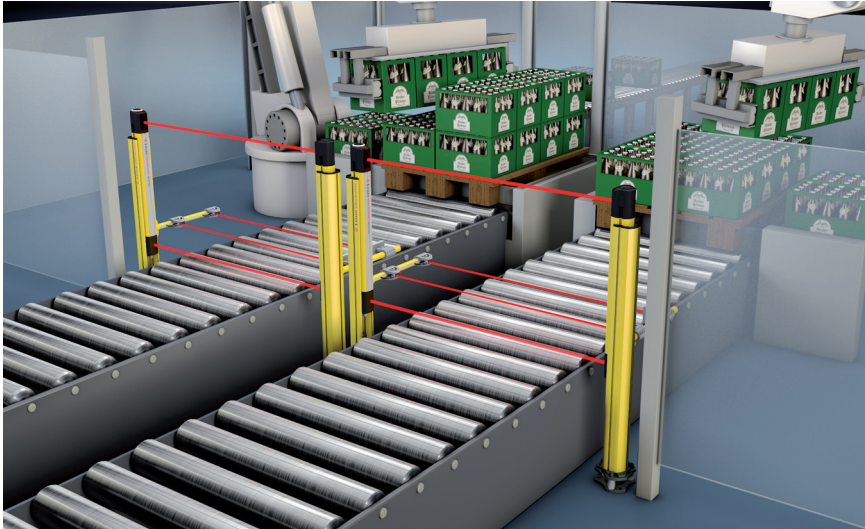
Accessories

Glossary

Product Finder

ACCESSORIES

Muting Sensor Sets



Pre-adjusted Muting Sensor Sets installed on Device Columns for guarding a transport material exit area

Access guarding with optical protective devices with a muting function frequently consists of numerous components that must be electrically and mechanically well-harmonized with one another, to guarantee both safety and availability. Muting Sensor Sets fulfill this requirement and also greatly reduce installation and start-up times. Completely pre-mounted for 2-sensor and 4-sensor muting applications, they can be connected directly to the MLD Multiple Light Beam Safety Devices via a terminal box and are immediately ready to use.

MUTING SENSOR SETS

Features

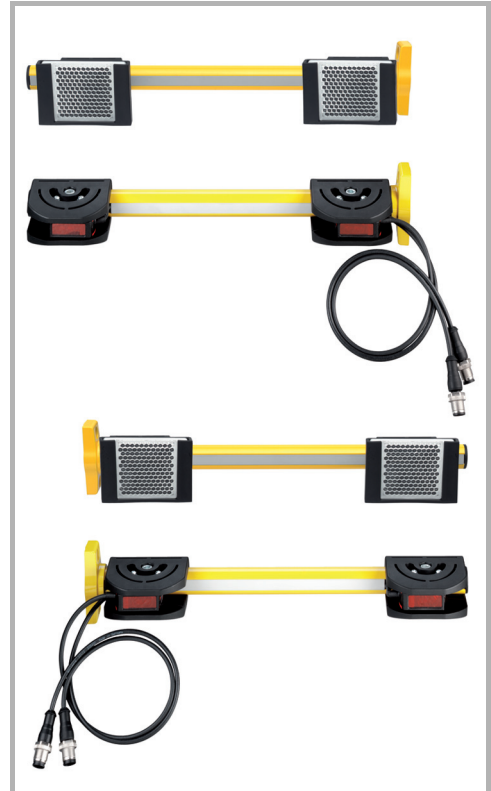
Pre-mounted complete sets for 2-sensor and 4-sensor muting applications based on reflection light beam devices

Optimized for 2- or 3-beam transceiver systems by passive reflectors on each side

Easy installation, quick vertical height adjustment and horizontal alignment in just a few steps

Mounting directly on MLD Multiple Light Beam Safety Devices or UDC/DC Device Columns

Please note the additional information at www.leuze.com/en/sensor-accessories.



Further information

Page

- | | |
|------------------------|-----|
| ● Ordering information | 504 |
| ● Dimensional drawings | 505 |
| ● DC/UDC | 498 |

ACCESSORIES

Ordering information

Construction	Slot mounting for MLD device			
	Range of muting sensors: 4 m			
	Part no.	Article	Description	Muting type
L-shape A	426490	Set-AC-ML-2SA	Muting Sensor Set, pre-mounted with 2 reflection light beam devices and 2 reflectors	Sequence controlled 2-sensor muting
L-shape B	426491	Set-AC-ML-2SB	Muting Sensor Set, pre-mounted with 2 reflection light beam devices and 2 reflectors	Sequence controlled 2-sensor muting
T-shape	426494	Set-AC-MT-2S	Muting Sensor Set, pre-mounted with 2 reflection light beam devices and 2 reflectors	Timing controlled 2-sensor muting
	426492	Set-AC-MT-4S	Muting Sensor Set, pre-mounted with 4 reflection light beam devices and 4 reflectors	Timing controlled 4-sensor muting

Construction	Slot mounting for MLD and MLC devices			
	Range of muting sensors: 8 m			
	Part no.	Article	Description	Muting type
L-shape A	426520	Set-AC-MLX-2SA	Muting Sensor Set, pre-mounted with 2 reflection light beam devices and 2 reflectors	Sequence controlled 2-sensor muting
L-shape B	426521	Set-AC-MLX-2SB	Muting Sensor Set, pre-mounted with 2 reflection light beam devices and 2 reflectors	Sequence controlled 2-sensor muting
T-shape	426524	Set-AC-MTX-2S	Muting Sensor Set, pre-mounted with 2 reflection light beam devices and 2 reflectors	Timing controlled 2-sensor muting
	426522	Set-AC-MTX-4S	Muting Sensor Set, pre-mounted with 4 reflection light beam devices and 4 reflectors	Timing controlled 4-sensor muting

Construction	Device Column mounting for MLD and MLC, sensor connecting cable: 2 m			
	Range of muting sensors: 8 m			
	Part no.	Article	Description	Muting type
L-shape A	426526	Set-AC-MLX.2-2SA	Muting Sensor Set, pre-mounted with 2 reflection light beam devices and 2 reflectors	Sequence controlled 2-sensor muting
L-shape B	426527	Set-AC-MLX.2-2SB	Muting Sensor Set, pre-mounted with 2 reflection light beam devices and 2 reflectors	Sequence controlled 2-sensor muting
T-shape	426529	Set-AC-MTX.2-2S	Muting Sensor Set, pre-mounted with 2 reflection light beam devices and 2 reflectors	Timing controlled 2-sensor muting
	426528	Set-AC-MTX.2-4S	Muting Sensor Set, pre-mounted with 4 reflection light beam devices and 4 reflectors	Timing controlled 4-sensor muting

Part no.	Article	Description	Mounting
Additional muting accessories			
426371	MSSU-H46	Muting Sensor Set incl. mounting bracket and reflection light scanner, includes MMS-A-350 Muting Mounting System with 2 HRT 46 diffuse reflection light scanners, Y distributors for electrical parallel connection of both light scanners	Mounting on Device Column
430305	MMS-A-2N55	Muting Mounting System for slot mounting for 2 sensors, with angled rods, 60x130x12 mm for Light Beam Device mounting systems	Mounting on device or Device Column

UDC, DC
Device Columns
p. 498

Muting Sensor Sets
p. 502

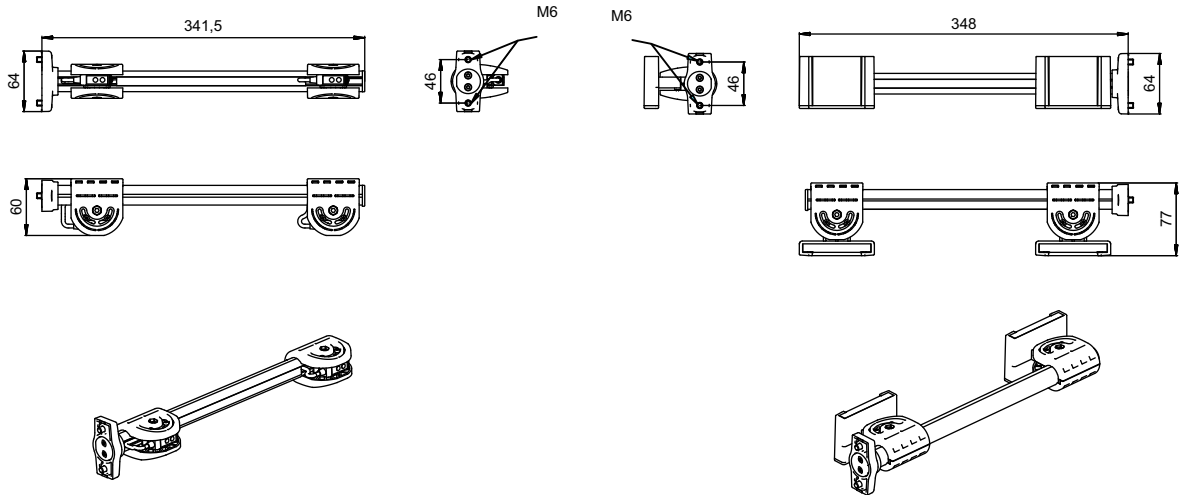
UMC deflecting mirror
columns
p. 510, 514

US Deflecting Mirrors
p. 512

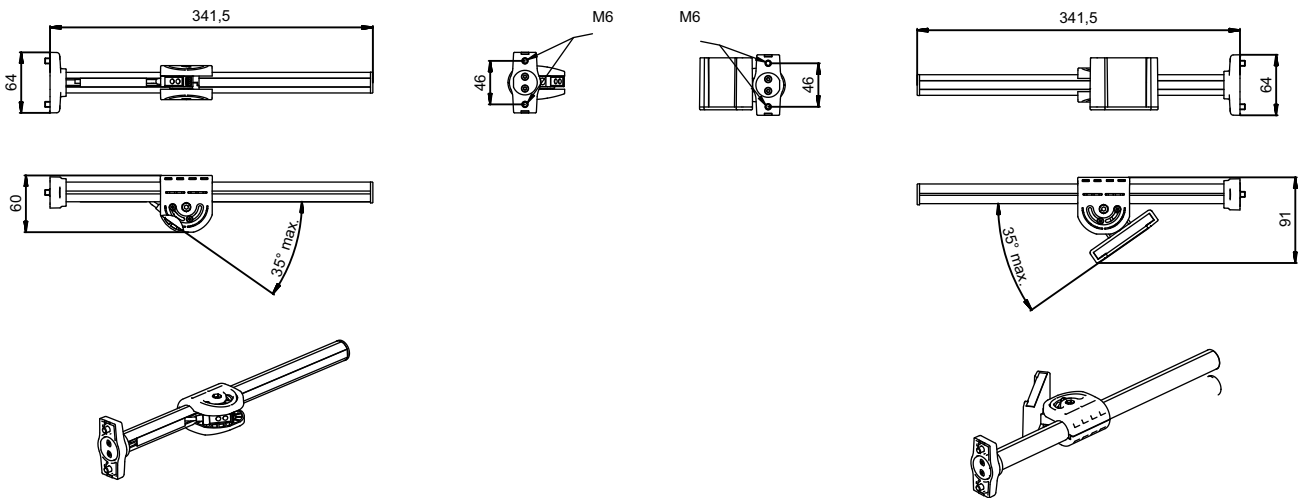
UM60 Deflecting
Mirrors
p. 516

Dimensional drawings

Muting Sensor Sets



Muting Sensor Set for timing controlled 4-sensor muting with PRK 3B (range 4 m) or PRK 25B (range 8 m) muting sensors



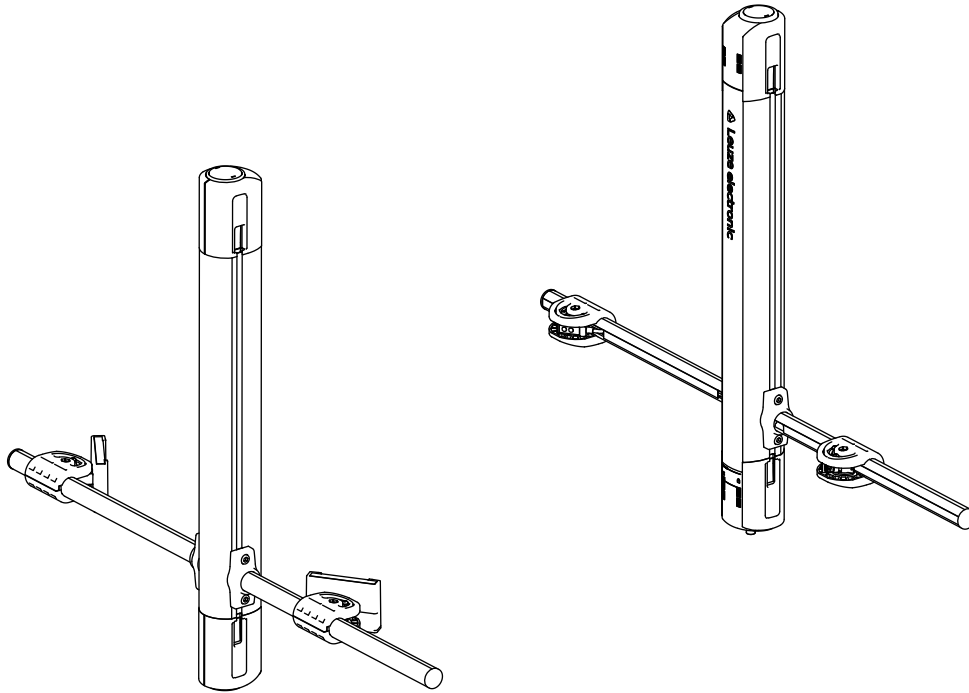
Muting Sensor Set for timing controlled 2-sensor muting with PRK 3B (range 4 m) or PRK 25B (range 8 m) muting sensors

Dimensions in mm

ACCESSORIES

Assembly drawings

Muting Sensor Set, mounted on safety sensor



Set-AC-MT-2S mounted on MLD 500 Multiple Light Beam Safety Device

UDC, DC
Device Columns
p. 498

Muting Sensor Sets
p. 502

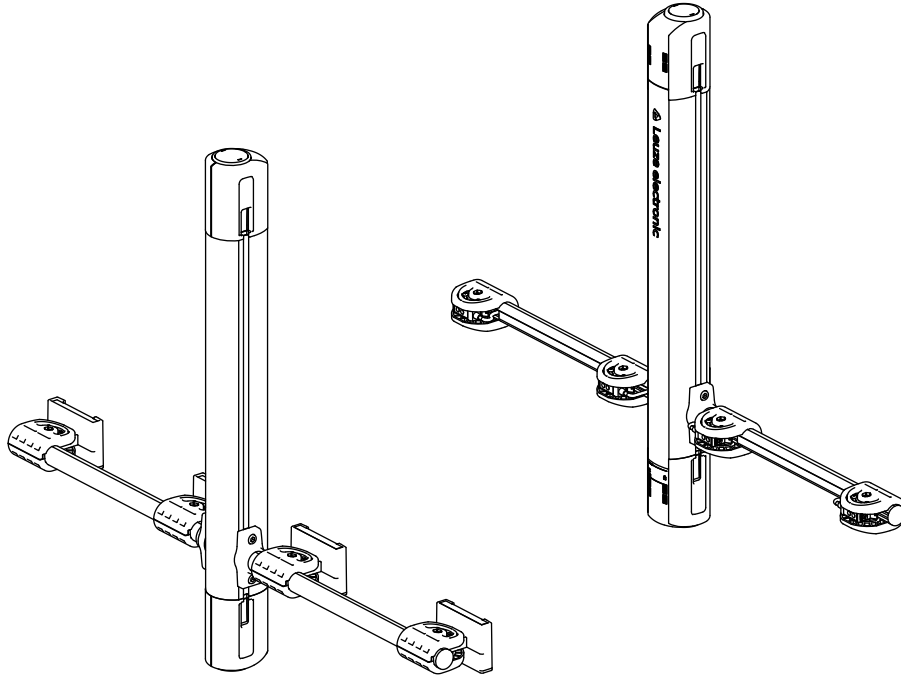
UMC deflecting mirror
columns
p. 510, 514

US Deflecting Mirrors
p. 512

UM60 Deflecting
Mirrors
p. 516

Assembly drawings

Muting Sensor Set

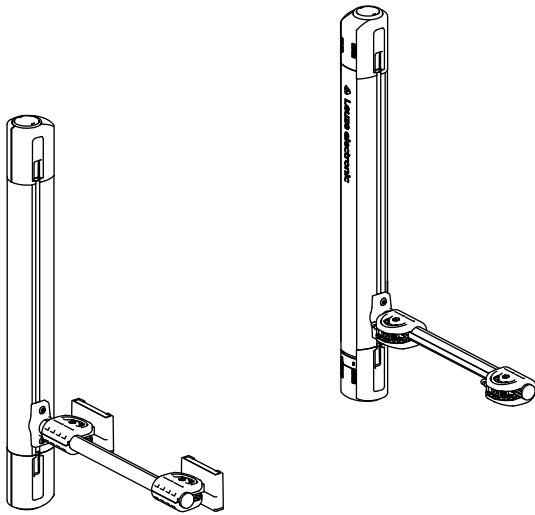


Set-AC-MT-4S (with PRK 3B muting sensors, range 4 m) or Set-AC-MTX-4S (with PRK 25B muting sensors, range 8 m),
installed on MLD 500 Multiple Light Beam Safety Device

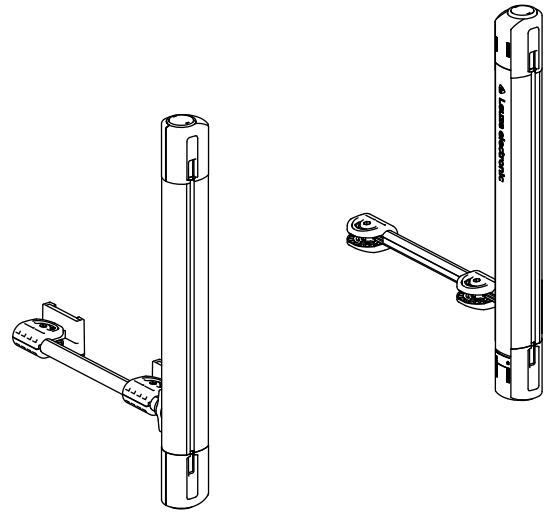
ACCESSORIES

Assembly drawings

Muting Sensor Set



L-shape A, e.g. Set-AC-ML-2SA
(transceiver/receiver right)

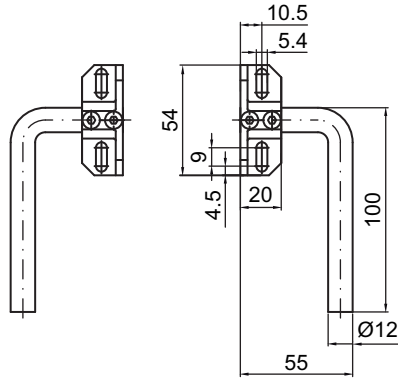


L-shape B, e.g. Set-AC-ML-2SB
(transceiver/receiver right)

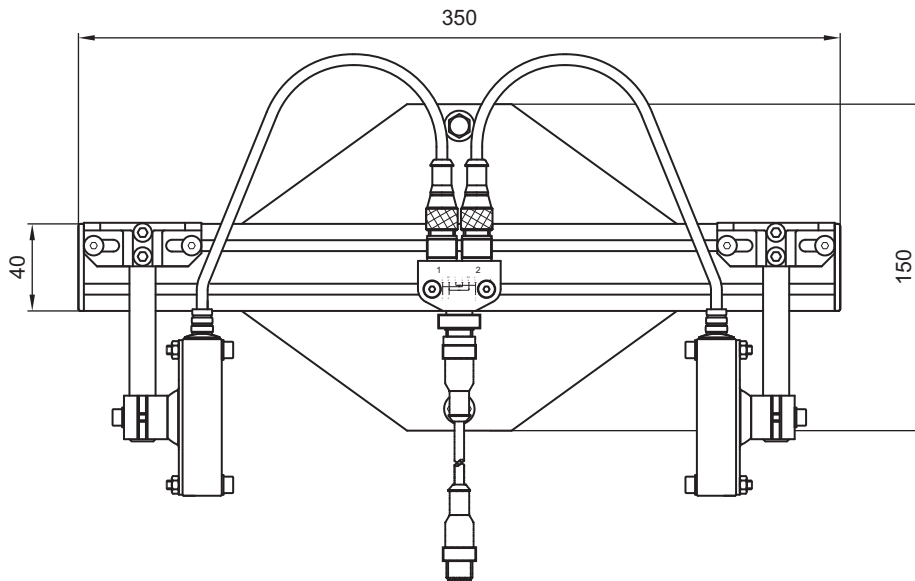
Set-AC-ML mounted on MLD 500 Multiple Light Beam Safety Device; depending on the alignment of the Muting Sensor Set, either Set-AC-ML(X)-2SA or Set-AC-ML(X)-2SB is used

Dimensional drawings

MMS-A-2N55 Muting Mounting System



MSSU-H46 Muting Mounting System

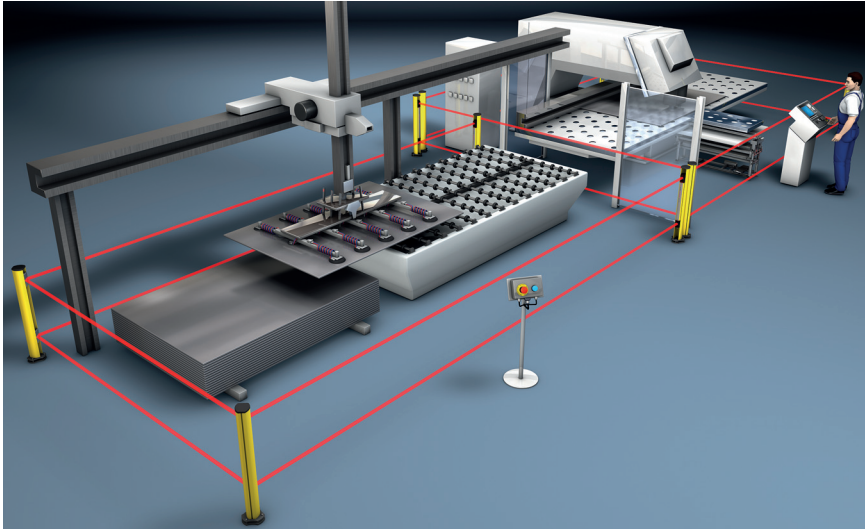


Dimensions in mm

www.leuze.com/en/sensor-accessories/

ACCESSORIES

UMC Deflecting Mirror Columns / Individual Mirrors



Multiple side access guarding with Multiple Light Beam Safety Devices and beam deflection with Deflecting Mirror Columns

The use of UMC Deflecting Mirror Columns enables cost-effective Light Beam Device solutions for multiple side danger zone guarding. The beam deflecting units are equipped with 2, 3 or 4 mirror units that each deflect the individual light beams of Multiple Light Beam Safety Devices. They enable precise vertical and axial alignment of the individual mirrors in the direction of the next deflecting mirror column or light beam receiver. Spring elements in the base of the mirror columns ensure automatic resetting to the initial position after mechanical impacts (blows, knocks).

Ordering information

Part no.	Article	Description	Suitable for Multiple Light Beam Safety Devices
UMC mirror columns with automatic reset function - floor anchor and mounting bracket included			
549790	UMC-902-S2	Mirror column with 2 individual mirrors for Multiple Light Beam Safety Devices	with beam distance: 500 mm; 2-beam
549791	UMC-1002-S2	Mirror column with 2 individual mirrors for Multiple Light Beam Safety Devices	with beam distance: 500 mm; 2-beam
549792	UMC-1303-S2	Mirror column with 3 individual mirrors for Multiple Light Beam Safety Devices	with beam distance: 400 mm; 3-beam
549793	UMC-1304-S2	Mirror column with 4 individual mirrors for Multiple Light Beam Safety Devices	with beam distance: 300 mm; 4-beam
549796	UMC-1603-S2	Mirror column with 3 individual mirrors for Multiple Light Beam Safety Devices	with beam distance: 400 mm; 3-beam
Accessories			
426195	UMC-Mirror-S2	Replacement mirror unit for mirror columns with individual mirrors	
426196	MS-UDC/UMC-S2	Replacement column base with spring elements for automatic resetting	

UDC, DC
Device Columns
p. 498

Muting Sensor Sets
p. 502

**UMC deflecting mirror
columns
p. 510, 514**

US Deflecting Mirrors
p. 512

UM60 Deflecting
Mirrors
p. 516

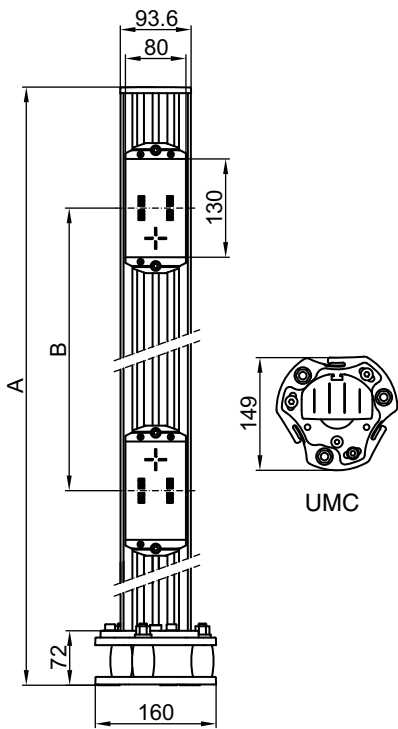
UMC DEFLECTING MIRROR COLUMNS/INDIVIDUAL MIRRORS

Features

- Individual mirrors can be separately exchanged, aligned and adjusted in height
- Easy installation, quick vertical and axial alignment in just a few steps
- Protection of the individual mirror thanks to robust profile construction in high quality design
- Automatic resetting after mechanical impacts with special spring elements in base

Please note the additional information at www.leuze.com/en/sensor-accessories.

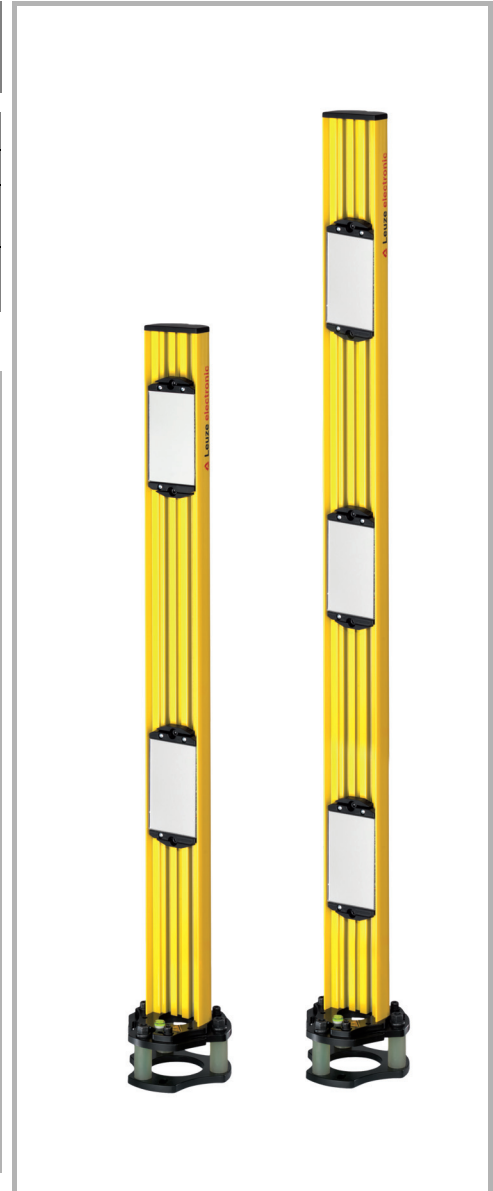
Dimensional drawings



UMC dimensions table

Article	Dim. A	Dim. B
UMC-902-S2	960	500
UMC-1002-S2	1060	500
UMC-1303-S2	1360	400
UMC-1304-S2	1360	300
UMC-1603-S2	1660	400

Dimensions in mm

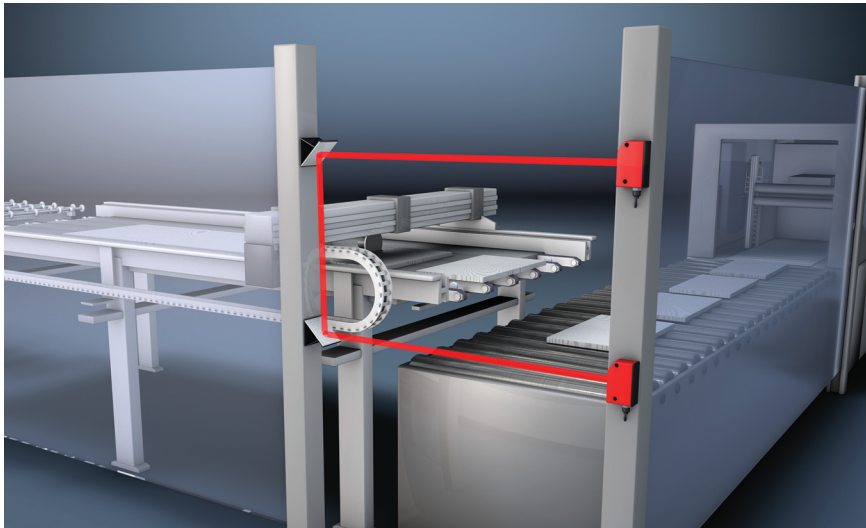


Further information

	Page
● Ordering information	510
● UDC, DC	498
● Laser alignment aids	538

ACCESSORIES

US Deflecting Mirrors



L-shape and 2-beam guardings can be implemented with the US Deflecting Mirror series in combination with Single Light Beam Safety Devices with a 90° beam deflection. This enables a reduction in the number of Light Beam Devices and therefore the wiring expenditure. The stepless 3-axis alignment of the mirror carrier enables a fast and precise alignment of the mirror in the 3 axes.

Access guarding with Single Light Beam Safety Devices and US Deflecting Mirrors

Ordering information

Part no.	Article	Description
50000670	US 1	Deflecting Mirror for tube mounting
50017434	US 2	Deflecting Mirror, rotates for profile mounting
50019628	US 2.1	Deflecting Mirror, for profile mounting
50023174	US 2.2	Deflecting Mirror, with straps for profile mounting

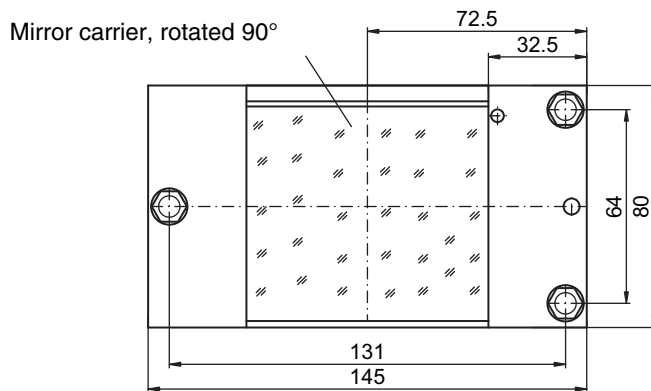
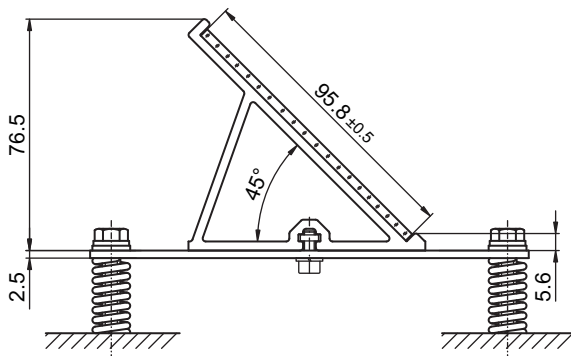
US DEFLECTING MIRRORS

Features

	US 2	US 2.1	US 2.2
Precise alignment in all 3 axes	●		
Glass mirror in extruded aluminum profile	●	●	●
Mirror carrier on mounting plate, 90° rotation	●		

Please note the additional information at www.leuze.com/en/sensor-accessories.

Dimensional drawings



US 2 Deflecting Mirror

Dimensions in mm

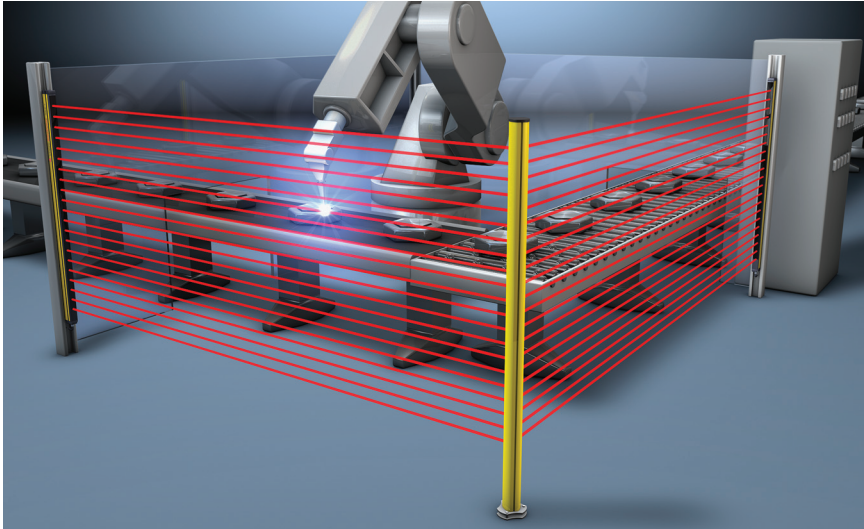


Further information

	Page
● Ordering information	512
● Single Light Beam Safety Devices	244

ACCESSORIES

UMC Deflecting Mirror Columns/continuous mirror



Multiple side access guarding with Safety Light Curtain and beam deflection with mirror columns

The UMC deflecting mirror columns feature a continuous plane mirror for beam deflection along the entire column height. In combination with Safety Light Curtains, cost-effective multiple side point of operation and access guardings can be implemented. The mirror columns enable precise vertical and axial mirror alignment. Spring elements in the base of the deflecting mirror columns ensure automatic resetting to the initial position after mechanical impacts (blows, knocks).

Ordering information			
Part no.	Article	Description	Suitable for Safety Light Curtains
UMC mirror columns with automatic reset function - floor anchor and mounting bracket included			
549780	UMC-1000-S2	Mirror columns for Safety Light Curtains with continuous mirror	with a protective field height up to 900 mm
549781	UMC-1300-S2	Mirror columns for Safety Light Curtains with continuous mirror	with a protective field height up to 1200 mm
549782	UMC-1600-S2	Mirror columns for Safety Light Curtains with continuous mirror	with a protective field height up to 1500 mm
549783	UMC-1900-S2	Mirror columns for Safety Light Curtains with continuous mirror	with a protective field height up to 1800 mm
Accessories			
426196	MS-UDC/UMC-S2	Replacement column base with spring elements for automatic resetting	

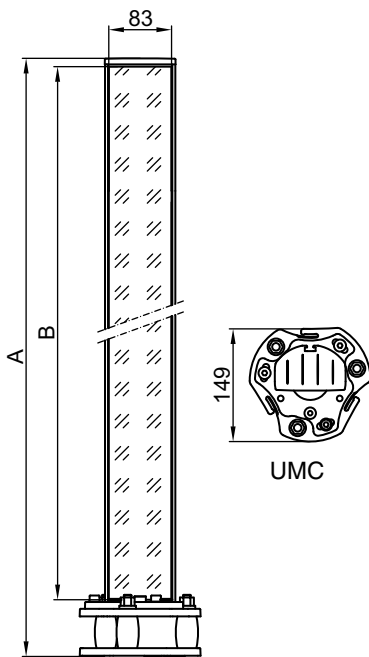
UMC WITH CONTINUOUS MIRROR

Features

- Continuous flat mirror surface for beam deflection of Safety Light Curtains
- Robust profile construction in high quality design
- Easy installation, quick vertical and axial alignment in just a few steps
- Automatic resetting after mechanical impacts with special spring elements in base

Please note the additional information at www.leuze.com/en/sensor-accessories.

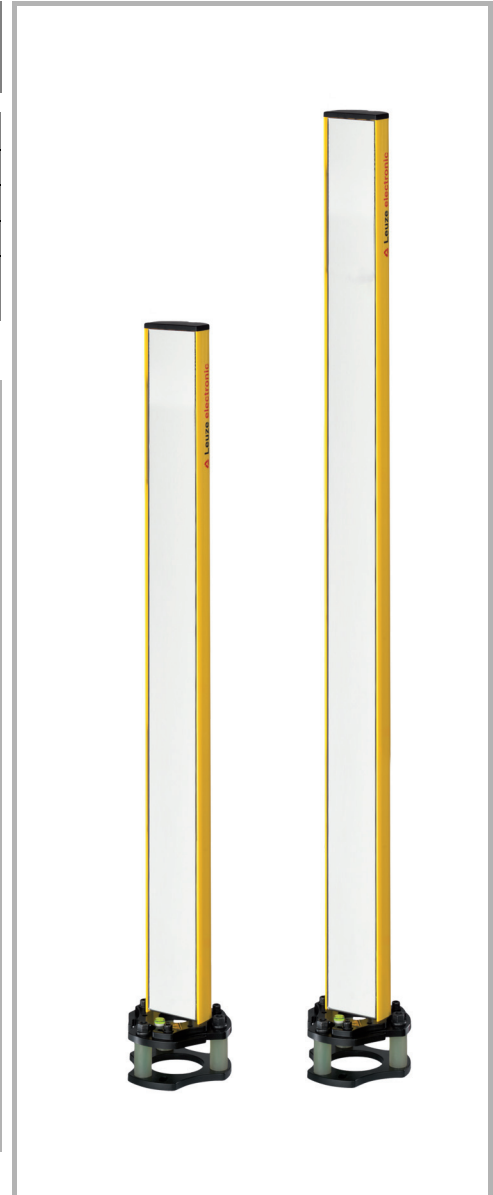
Dimensional drawings



UMC dimensions table

Article	Dim. A	Dim. B
UMC-1000	1060	974
UMC-1300	1360	1274
UMC-1600	1660	1574
UMC-1900	1960	1874

Dimensions in mm



Further information

	Page
● Ordering information	514
● UDC, DC	498
● Laser alignment aids	538

ACCESSORIES

UM60 Deflecting Mirrors



The combination of Safety Light Curtains and UM60 Deflecting Mirrors enables cost-effective, multiple side danger zone guarding, e.g. at manual feed-in areas on machinery. The UM60 Deflecting Mirrors feature a very slender mirror carrier. A very precise and easy mounting is possible with sliding blocks or swivel mounting brackets (accessories).

Multiple side point of operation guarding on a press with Safety Light Curtains and beam deflection with Deflecting Mirrors

Ordering information

Deflecting Mirror		Suitable for Safety Light Curtains
Part no.	Article	
529601	UM60-150	with a protective field height up to 150 mm
529602	UM60-225	with a protective field height up to 225 mm
529603	UM60-300	with a protective field height up to 300 mm
529604	UM60-450	with a protective field height up to 450 mm
529606	UM60-600	with a protective field height up to 600 mm
529607	UM60-750	with a protective field height up to 750 mm
529609	UM60-900	with a protective field height up to 900 mm
529610	UM60-1050	with a protective field height up to 1050 mm
529612	UM60-1200	with a protective field height up to 1200 mm
529613	UM60-1350	with a protective field height up to 1350 mm
529615	UM60-1500	with a protective field height up to 1500 mm
529616	UM60-1650	with a protective field height up to 1650 mm
529618	UM60-1800	with a protective field height up to 1800 mm

UDC, DC
Device Columns
p. 498

Muting Sensor Sets
p. 502

UMC deflecting mirror
columns
p. 510, 514

US Deflecting Mirrors
p. 512

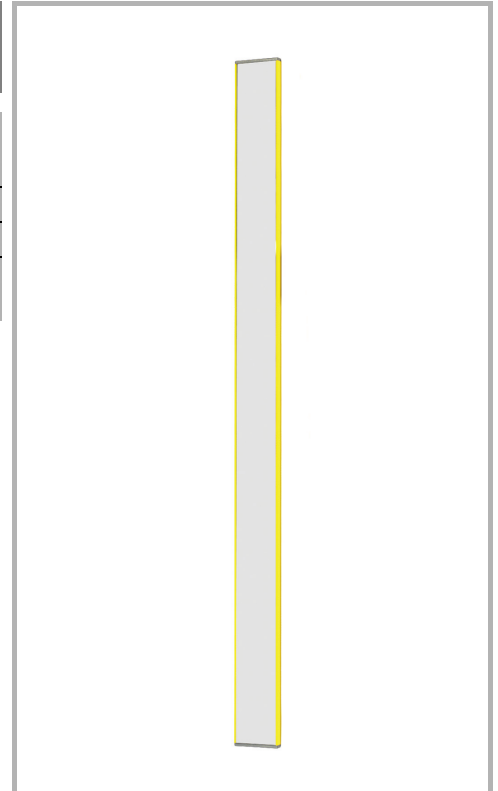
**UM60 Deflecting
Mirrors
p. 516**

UM60 DEFLECTING MIRRORS

Areas of application and ordering information

Features

Continuous mirror surface for beam deflection of Safety Light Curtains
Robust aluminum profile housing
Slender and flat construction, 60 mm wide
Easy mounting, fast alignment with mounting angles (in the preferred angles, 0°, 45° and 90°, as well as swiveling)



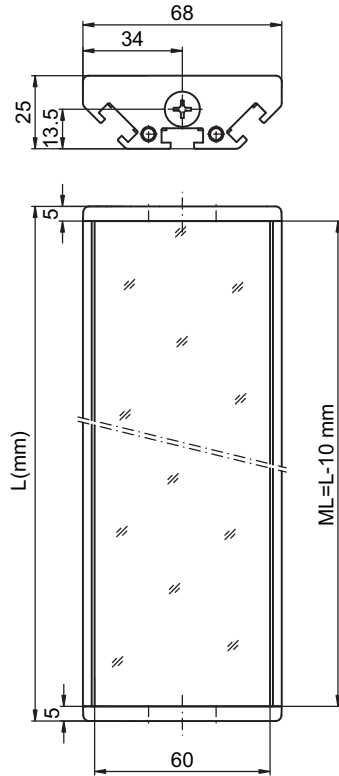
Further information

	Page
● Ordering information	● 516
● Laser alignment aids	● 538
● Dimensional drawings: Accessories, see BT-L and BT-SSD	● 183

ACCESSORIES

Areas of application and ordering information

Dimensional drawings



Dimensions table

Article	Mirror length, ML	Total length, L
UM60-150	210	220
UM60-225	285	295
UM60-300	360	370
UM60-450	510	520
UM60-600	660	670
UM60-750	810	820
UM60-900	960	970
UM60-1050	1110	1120
UM60-1200	1260	1270
UM60-1350	1410	1420
UM60-1500	1560	1570
UM60-1650	1710	1720
UM60-1800	1860	1870

Dimensions in mm

UM60 – Accessories

Part no.	Article	Description
429058	BT-2SSD	Mounting bracket set, consisting of 2 BT-SSD mounting brackets, swiveling with shock absorber
429049	BT-2SSD-270	Mounting bracket set, consisting of 2 BT-SSD-270 mounting brackets, swiveling with shock absorber (recommended from a mirror length of 1500 mm)
560120	BT-2S	Mounting bracket set consisting of 2 L-type brackets incl. 2 screws
430105	BT-2UM60	Mounting bracket set consisting of 2 UM60 brackets incl. screws

UDC, DC
Device Columns
p. 498

Muting Sensor Sets
p. 502

UMC deflecting mirror
columns
p. 510, 514

US Deflecting Mirrors
p. 512

**UM60 Deflecting
Mirrors
p. 516**

UM60 DEFLECTING MIRRORS

Safety Switches

Safety Locking
Devices

Safety Command
Devices

Safety Relays

Programmable
Safety Controllers

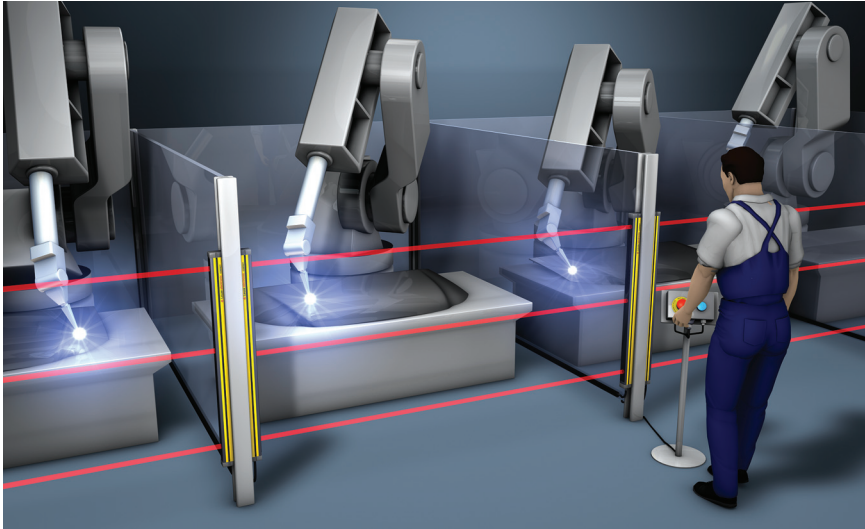
Accessories

Glossary

Product Finder

ACCESSORIES

Protective Screens



Protective screens reliably protect safety sensors from welding sparks, near welding lines, for example

Protective screens mounted on Safety Light Curtains and Multiple Light Beam Safety Devices prevent the device's front screen from being damaged. These optional protective screens provide investment security, as the screens provide simple, flexible, cost-effective and efficient protection for sensors throughout their lifespan. The protective screens can be easily exchanged as required.

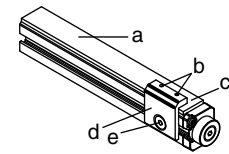
Features

- Protective window material: PMMA, clear
- Effective protection, easy to install, robust
- Cost-effective standard accessories
- Damaged screens are easy to swap out
- Protective screen lengths ranging from 300 mm to 1800 mm
- Strong and sturdy installation with two or three supports

Areas of application and ordering information

Protective Screens			for Safety Light Curtains	Support
Part no.	Article	Length	MLC 500, MLC 300	
347070	MLC-PS150	148 mm	150 mm	429038 MLC-2PSF set, consisting of two supports
347071	MLC-PS225	223 mm	225 mm	
347072	MLC-PS300	298 mm	300 mm	
347073	MLC-PS450	448 mm	450 mm	
347074	MLC-PS600	598 mm	600 mm	
347075	MLC-PS750	748 mm	750 mm	
347076	MLC-PS900	898 mm	900 mm	
347077	MLC-PS1050	1048 mm	1050 mm	
347078	MLC-PS1200	1198 mm	1200 mm	
347079	MLC-PS1350	1348 mm	1350 mm	
347080	MLC-PS1500	1498 mm	1500 mm	
347081	MLC-PS1650	1648 mm	1650 mm	
347082	MLC-PS1800	1798 mm	1800 mm	

Assembly drawing



- a = Protective screen
- b = Grub screw, M4x8
- c = Transmitter or receiver
- d = Disk clamp
- e = Countersunk screw M6x10 and sliding block

PROTECTIVE SCREENS

Areas of application and ordering information

Protective Screens			for Safety Light Curtains		Support
Part no.	Article	Length	COMPACTplus		
346503	PS-C-CP-300	340 mm	300 mm		429044 AC-PS-MB-C-CP-1 Set consisting of two supports
346504	PS-C-CP-450	490 mm	450 mm		
346506	PS-C-CP-600	640 mm	600 mm		
346507	PS-C-CP-750	790 mm	750 mm		
346509	PS-C-CP-900	940 mm	900 mm		
346510	PS-C-CP-1050	1090 mm	1050 mm		
346512	PS-C-CP-1200	1240 mm	1200 mm		429045 AC-PS-MB-C-CP-2 Set consisting of three supports
346513	PS-C-CP-1350	1390 mm	1350 mm		
346515	PS-C-CP-1500	1540 mm	1500 mm		
346516	PS-C-CP-1650	1690 mm	1650 mm		
346518	PS-C-CP-1800	1840 mm	1800 mm		

*) Not used for models with integrated sensor connection field

Protective Screens			for Safety Light Curtains		Support
Part no.	Article	Length	SOLID-2/SOLID-2E	SOLID-4/SOLID-4E	
346803	PS-SD-300	341.5 mm	300 mm	300 mm	429042 AC-PS-MB-SD-1 Set consisting of two supports
346804	PS-SD-450	491.5 mm	450 mm	450 mm	
346806	PS-SD-600	641.5 mm	600 mm	600 mm	
346807	PS-SD-750	791.5 mm	750 mm	750 mm	
346809	PS-SD-900	941.5 mm	900 mm	900 mm	
346810	PS-SD-1050	1091.5 mm	1050 mm	1050 mm	
346812	PS-SD-1200	1241.5 mm	1200 mm	1200 mm	429043 AC-PS-MB-SD-2 Set consisting of three supports
346813	PS-SD-1350	1391.5 mm	1350 mm	1350 mm	
346815	PS-SD-1500	1541.5 mm	1500 mm	1500 mm	
346816	PS-SD-1650	1691.5 mm	1650 mm	1650 mm	
346818	PS-SD-1800	1841.5 mm	1800 mm	1800 mm	

i Please note that the range of the Safety Light Curtain is reduced by approx. 10% per screen with the use of protective screens. If, for example, transmitters and receivers are protected by one protective screen each with a SOLID-4E with 40 mm resolution and a standard range of 20 m, the resulting maximum range for the entire system is 16 m.

ACCESSORIES

Connection cables – Areas of application and ordering information

Here you will find connection cables specifically for our sensors for quick and easy start-up



Part no.	Article	Description	Suitable for		
Device connection cables		Socket	Cable	Plug	
Connection cables for AS-i Safety sensors					
548361	CB-M12-1000-5GF/GM	M12, straight, 5-pin	1 m	M12, straight, 5-pin	AS-i Safety sensors
548362	CB-M12-2000-5GF/GM	M12, straight, 5-pin	2 m	M12, straight, 5-pin	AS-i Safety sensors
678031	CB-M12-1000S-5GF/GM	M12, straight, 5-pin	1 m	M12, straight, 5-pin	AS-i Safety sensors
678033	CB-M12-2500S-5GF/GM	M12, straight, 5-pin	2.5 m	M12, straight, 5-pin	AS-i Safety sensors
678035	CB-M12-5000S-5GF/GM	M12, straight, 5-pin	5 m	M12, straight, 5-pin	AS-i Safety sensors
678040	CB-M12-10000S-5GF/GM	M12, straight, 5-pin	10 m	M12, straight, 5-pin	AS-i Safety sensors
678045	CB-M12-15000S-5GF/GM	M12, straight, 5-pin	15 m	M12, straight, 5-pin	AS-i Safety sensors
548502	CB-M12-2000S-8GF/GM	M12, straight, 8-pin	2 m	M12, straight, 8-pin	AS-i Safety sensors
548505	CB-M12-5000S-8GF/GM	M12, straight, 8-pin	5 m	M12, straight, 8-pin	AS-i Safety sensors
548510	CB-M12-10000S-8GF/GM	M12, straight, 8-pin	10 m	M12, straight, 8-pin	AS-i Safety sensors

Connection cables – Areas of application and ordering information

Part no.	Article	Description			Suitable for
Device connection cables		Socket	Cable	Plug	
Connection cables for MLC 300, MLC 500 transmitters and MLC 510 receivers, shielded					
678055	CB-M12-5000E-5GF	M12, straight, 5-pin	5 m	Open end	MLC 300, MLC 500, MLC 510
678056	CB-M12-10000E-5GF	M12, straight, 5-pin	10 m	Open end	MLC 300, MLC 500, MLC 510
678057	CB-M12-15000E-5GF	M12, straight, 5-pin	15 m	Open end	MLC 300, MLC 500, MLC 510
678058	CB-M12-25000E-5GF	M12, straight, 5-pin	25 m	Open end	MLC 300, MLC 500, MLC 510
Connection cables for MLC 320, MLC 520 and MLC 530 receivers, shielded					
678060	CB-M12-5000E-8GF	M12, straight, 8-pin	5 m	Open end	MLC 320, MLC 520, MLC 530
678061	CB-M12-10000E-8GF	M12, straight, 8-pin	10 m	Open end	MLC 320, MLC 520, MLC 530
678062	CB-M12-15000E-8GF	M12, straight, 8-pin	15 m	Open end	MLC 320, MLC 520, MLC 530
678063	CB-M12-25000E-8GF	M12, straight, 8-pin	25 m	Open end	MLC 320, MLC 520, MLC 530

ACCESSORIES

Connection cables – Areas of application and ordering information

Part no.	Article	Description			Suitable for
		Socket	Cable	Plug	
Device connection cables					
Sensor connection cable, 3-wire, PUR, unshielded, socket and plug					
548050	CB-M12-1500X-3GF/WM	M12, straight, 3-pin	1.5 m, crossed cable, pin 2/pin 4	M12, angled, 3-pin	MLC 530
548051	CB-M12-1500X-3GF/GM	M12, straight, 3-pin	1.5 m	M12, straight, 3-pin	MLC 530
150680	CB-M12-1500-3GF/GM	M12, straight, 3-pin	1.5 m	M12, straight, 3-pin	MLC 530
150681	CB-M12-1500-3GF/WM	M12, straight, 3-pin	1.5 m	M12, angled, 3-pin	MLC 530
150682	CB-M12-5000-3GF/GM	M12, straight, 3-pin	5 m	M12, straight, 3-pin	MLC 530
150683	CB-M12-5000-3GF/WM	M12, straight, 3-pin	5 m	M12, angled, 3-pin	MLC 530
150684	CB-M12-15000-3GF/GM	M12, straight, 3-pin	15 m	M12, straight, 3-pin	MLC 530
Connection accessories					
548361	CB-M12-1000-5GF/GM	M12, straight, 5-pin	1 m	M12, straight, 5-pin	MLC 530
548362	CB-M12-2000-5GF/GM	M12, straight, 5-pin	2 m	M12, straight, 5-pin	MLC 530
150717	CB-M12-2000-5GM	M12, straight, 5-pin	2 m	Open end	MLC 530
150718	CB-M12-5000-5GM	M12, straight, 5-pin	5 m	Open end	MLC 530

Connection cables – Areas of application and ordering information

Part no.	Article	Description			Suitable for
Device connection cables		Socket	Cable	Plug	
Connection cables for SOLID, COMPACTplus					
426042	CB-LDH-10000-12GF	Hirschmann, straight, 12-pin	10 m, PVC	Open, 12-wire	COMPACTplus/T2, /R2
426044	CB-LDH-25000-12GF	Hirschmann, straight, 12-pin	25 m, PVC	Open, 12-wire	COMPACTplus/T2, /R2
426043	CB-LDH-50000-12GF	Hirschmann, straight, 12-pin	50 m, PVC	Open, 12-wire	COMPACTplus/T2, /R2
429071	CB-M12-5000S-5GF	M12, straight, 5-pin	5 m, PUR, UL, shielded	Open, 5-wire	SOLID, COMPACTplus/T4
429072	CB-M12-5000S-5WF	M12, angled, 5-pin	5 m, PUR, UL, shielded	Open, 5-wire	SOLID, COMPACTplus/T4
429081	CB-M12-5000S-8GF	M12, straight, 8-pin	5 m, PUR, UL, shielded	Open, 8-wire	SOLID, COMPACTplus/T4
429082	CB-M12-5000S-8WF	M12, angled, 8-pin	5 m, PUR, UL, shielded	Open, 8-wire	SOLID, COMPACTplus/T4
429073	CB-M12-10000S-5GF	M12, straight, 5-pin	10 m, PUR, UL, shielded	Open, 5-wire	SOLID, COMPACTplus/T4
429074	CB-M12-10000S-5WF	M12, angled, 5-pin	10 m, PUR, UL, shielded	Open, 5-wire	SOLID, COMPACTplus/T4
429083	CB-M12-10000S-8GF	M12, straight, 8-pin	10 m, PUR, UL, shielded	Open, 8-wire	SOLID, COMPACTplus/T4
429084	CB-M12-10000S-8WF	M12, angled, 8-pin	10 m, PUR, UL, shielded	Open, 8-wire	SOLID, COMPACTplus/T4
429075	CB-M12-15000S-5GF	M12, straight, 5-pin	15 m, PUR, UL, shielded	Open, 5-wire	SOLID, COMPACTplus/T4
429076	CB-M12-15000S-5WF	M12, angled, 5-pin	15 m, PUR, UL, shielded	Open, 5-wire	SOLID, COMPACTplus/T4
429085	CB-M12-15000S-8GF	M12, straight, 8-pin	15 m, PUR, UL, shielded	Open, 8-wire	SOLID, COMPACTplus/T4
429086	CB-M12-15000S-8WF	M12, angled, 8-pin	15 m, PUR, UL, shielded	Open, 8-wire	SOLID, COMPACTplus/T4

www.leuze.com/en/sensor-accessories/

ACCESSORIES

Connection cables – Areas of application and ordering information

Part no.	Article	Description			Suitable for
		Socket	Cable	Plug	
Connection cables for SOLID, COMPACTplus					
429171	CB-M12-25000S-5GF	M12, straight, 5-pin	25 m, PUR, UL, shielded	Open, 5-wire	SOLID, COMPACTplus/T4
429172	CB-M12-25000S-5WF	M12, angled, 5-pin	25 m, PUR, UL, shielded	Open, 5-wire	SOLID, COMPACTplus/T4
429181	CB-M12-25000S-8GF	M12, straight, 8-pin	25 m, PUR, UL, shielded	Open, 8-wire	SOLID, COMPACTplus/T4
429182	CB-M12-25000S-8WF	M12, angled, 8-pin	25 m, PUR, UL, shielded	Open, 8-wire	SOLID, COMPACTplus/T4
Connection cables for RS4					
548520	CB-D15E-5000S-11GF	SUB-D, 15-pin	5 m, PUR, UL, shielded	Open, 11-wire	RS4
548521	CB-D15E-10000S-11GF	SUB-D, 15-pin	10 m, PUR, UL, shielded	Open, 11-wire	RS4
548522	CB-D15E-25000S-11GF	SUB-D, 15-pin	20 m, PUR, UL, shielded	Open, 11-wire	RS4
548523	CB-D15E-50000S-11GF	SUB-D, 15-pin	35 m, PUR, UL, shielded	Open, 11-wire	RS4
548530	CB-D15E-10000S-11WF	SUB-D, 15-pin	50 m, PUR, UL, shielded	Open, 11-wire	RS4
548100	CB-M12-25000S-4GF/GM	M12, straight, 4-pin	25 m, shielded	M12, straight, 4-pin	RS4/P1
548363	CB-M12-2000-4GMB	M12, straight, 4-pin	2 m, PUR, UL	Open, 4-wire, jumper between 1-4, 2-3	RS4/A1, RS4/P1

Connection cables – Areas of application and ordering information

Part no.	Article	Description	Suitable for		
Device connection cables		Socket	Cable	Plug	
Connection cables for MLD 300, MLD 500, MLDSET, MLD-UDC					
678050	CB-M12-5000E-5GM	M12 plug, straight, 5-pin	5 m	Open end	MLD 300, MLD 500
678051	CB-M12-10000E-5GM	M12 plug, straight, 5-pin	10 m	Open end	MLD 300, MLD 500
678052	CB-M12-15000E-5GM	M12 plug, straight, 5-pin	15 m	Open end	MLD 300, MLD 500
678053	CB-M12-25000E-5GM	M12 plug, straight, 5-pin	25 m	Open end	MLD 300, MLD 500
678055	CB-M12-5000E-5GF	M12 coupling, straight, 5-pin	5 m	Open end	MLD 300, MLD 500
678056	CB-M12-10000E-5GF	M12 coupling, straight, 5-pin	10 m	Open end	MLD 300, MLD 500
678057	CB-M12-15000E-5GF	M12 coupling, straight, 5-pin	15 m	Open end	MLD 300, MLD 500
678058	CB-M12-25000E-5GF	M12 coupling, straight, 5-pin	25 m	Open end	MLD 300, MLD 500
678059	CB-M12-50000E-5GF	M12 coupling, straight, 5-pin	50 m	Open end	MLD 300, MLD 500
678060	CB-M12-5000E-8GF	M12 coupling, straight, 8-pin	5 m	Open end	MLD 300, MLD 500
678061	CB-M12-10000E-8GF	M12 coupling, straight, 8-pin	10 m	Open end	MLD 300, MLD 500
678062	CB-M12-15000E-8GF	M12 coupling, straight, 8-pin	15 m	Open end	MLD 300, MLD 500
678063	CB-M12-25000E-8GF	M12 coupling, straight, 8-pin	25 m	Open end	MLD 300, MLD 500
678064	CB-M12-50000E-8GF	M12 coupling, straight, 8-pin	50 m	Open end	MLD 300, MLD 500
Connection cables for MLD 335, MLD 535 (local interface)					
50110180	KB M12/8-5000-SA				
50110181	KB M12/8-10000-SA				
50110186	KB M12/8-15000-SA				
50110188	KB M12/8-25000-SA				

ACCESSORIES

Connection cables – Areas of application and ordering information

Part no.	Article	Description			Suitable for
Device connection cables		Socket	Cable	Plug	
Connection cables for S20, S200, S300 S400, L10, L100, L200					
678055	CB-M12-5000E-5GF	M12 coupling, straight, 5-pin	5 m	Open end	S20, S200, S300 S400, L10, L100, L200
678056	CB-M12-10000E-5GF	M12 coupling, straight, 5-pin	10 m	Open end	S20, S200, S300 S400, L10, L100, L200
678057	CB-M12-15000E-5GF	M12 coupling, straight, 5-pin	15 m	Open end	S20, S200, S300 S400, L10, L100, L200
678058	CB-M12-25000E-5GF	M12 coupling, straight, 5-pin	25 m	Open end	S20, S200, S300 S400, L10, L100, L200
678060	CB-M12-5000E-8GF	M12 coupling, straight, 8-pin	5 m	Open end	S20, S200, S300 S400, L10, L100, L200
678061	CB-M12-10000E-8GF	M12 coupling, straight, 8-pin	10 m	Open end	S20, S200, S300 S400, L10, L100, L200
678062	CB-M12-15000E-8GF	M12 coupling, straight, 8-pin	15 m	Open end	S20, S200, S300 S400, L10, L100, L200
678063	CB-M12-25000E-8GF	M12 coupling, straight, 8-pin	25 m	Open end	S20, S200, S300 S400, L10, L100, L200
Muting Accessories					
520058	AC-SCM6	Local connection box with M12-connection for connecting to local interface (6 connections for 4 muting sensors, muting indicator, reset button)			
520059	AC-SCM6-BT	Local connection box with M12-connection for connecting to local interface (6 connections for 4 muting sensors, muting indicator, reset button), with mounting plate			

Connection cables – Areas of application and ordering information

Part no.	Article	Description			Suitable for
Connection cable /T1 Transmitter to sensor socket M12/5					
150677	CB-M12-10000-5WM	Open, 5-wire	10 m, PUR, UL	M12, angled, 5-pin	COMPACTplus
50104545	K-D M12W-4P-5m-PVC	M12, angled, 4-pin	5 m, PVC	M12, angled, 4-pin	Single Light Beam Safety Devices
50104544	K-D M12A-4P-5m-PVC	M12, straight, 4-pin	5 m, PVC	M12, straight, 4-pin	Single Light Beam Safety Devices
Local connection cables		Socket	Cable	Plug	
520066	CB-M12-SCC2	2 x M12, straight, 3-pin	2 x 1.5 m + 0.3 m	M12, angled, 8-pin	COMPACTplus
150755	CB-M12-SC22	2 x M12, 4-pin	2 x 1.5 m	M12, 4-pin	COMPACTplus, MLD 300, MLD 500
150756	CB-M12-CC12	M12, 4-pin	0.3 m	M12, 8-pin	COMPACTplus
150757	CB-M12-CC15	M12, 4-pin	1.5 m	M12, 8-pin	COMPACTplus
150769	CB-M12-CC30	M12, 4-pin	3 m	M12, 8-pin	COMPACTplus
150758	CB-M12-SC24	2 x M12, 4-pin	2 m or 5 m	M12, 4-pin	COMPACTplus, MLD 300, MLD 500
150766	CB-M12-SC44	2x M12, 4-pin	2 x 1.0 m	M12, 4-pin	COMPACTplus, MLD 300, MLD 500
150704	CB-M12-3000-8WM	Open, 8-wire	3 m, PUR, UL	M12, angled, 8-pin	COMPACTplus
150699	CB-M12-10000-8WM	Open, 8-wire	10 m, PUR, UL	M12, angled, 8-pin	COMPACTplus
Connection muting sensors, indicators, display and control unit					
150680	CB-M12-1500-3GF/GM	M12, straight, 3-pin	1.5 m, PUR	M12, straight, 3-pin	COMPACTplus, MLD 300, MLD 500
150681	CB-M12-1500-3GF/WM	M12, straight, 3-pin	1.5 m, PUR	M12, angled, 3-pin	COMPACTplus, MLD 300, MLD 500
150682	CB-M12-5000-3GF/GM	M12, straight, 3-pin	5 m, PUR	M12, straight, 3-pin	COMPACTplus, MLD 300, MLD 500
150683	CB-M12-5000-3GF/WM	M12, straight, 3-pin	5 m, PUR	M12, angled, 3-pin	COMPACTplus, MLD 300, MLD 500

ACCESSORIES

Connection cables – Areas of application and ordering information

Part no.	Article	Description			Suitable for
Connection muting sensors, indicators, display and control unit					
150684	CB-M12-15000-3GF/GM	M12, straight, 3-pin	15 m, PUR, UL	M12, straight, 3-pin	COMPACT <i>plus</i> , MLD 300, MLD 500
150685	CB-M12-15000-3GF/WM	M12, straight, 3-pin	15 m, PUR	M12, angled, 3-pin	COMPACT <i>plus</i> , MLD 300, MLD 500
548050	CB-M12-1500X-3GF/WM	M12, straight, 3-pin	1.5 m, PUR, UL, crossed socket, pin2 -> plug-pin4	M12, angled, 3-pin	COMPACT <i>plus</i> , MLD 300, MLD 500
548051	CB-M12-1500X-3GF/GM	M12, straight, 3-pin	1.5 m, PUR, UL, crossed socket, pin2 -> plug-pin4	M12, straight, 3-pin	COMPACT <i>plus</i> , MLD 300, MLD 500
548052	CB-M12-1500X-3WF/WM	M12, angled, 3-pin	1.5 m, PUR, UL, crossed socket, pin2 -> plug-pin4	M12, angled, 3-pin	COMPACT <i>plus</i> , MLD 300, MLD 500
150717	CB-M12-2000-5GM	Open, 5-wire	2 m, PUR, UL	M12, straight, 5-pin	COMPACT <i>plus</i>
150718	CB-M12-5000-5GM	Open, 5-wire	5 m	M12, straight, 5-pin	COMPACT <i>plus</i>
548510	CB-M12-10000S-8GF/GM	M12, straight, 8-pin	10 m	M12, straight, 8-pin	COMPACT <i>plus</i>
Signal distributor		Socket	Cable	Plug	
520069	CB-M12-ACT4/1	2 x M12, straight, 4-pin	-	M12, straight, 4-pin	All with M12 connection system
548040	CB-M12-ACY3/1	2 x M12, straight, 3-pin	-	M12, straight, 3-pin	All with M12 connection system

CONNECTION CABLES

Connection cables – Areas of application and ordering information

Part no.	Article	Description	Suitable for		
PC cable					
50104078	CB-ASM-PK1	SUB-D, 9-pin	2.5 m, PVC	RJ45, 8-pin	AS-i
520072	CB-PCO-3000	SUB-D, 9-pin	3 m	Infrared adapter	COMPACT <i>plus</i> , RS4/A1, RS4/P1
50035863	CB-D9-3000-5GF/GM	SUB-D, 9-pin	3 m, shielded	SUB-D, 9-pin	RS4
50035865	CB-D9-5000-5GF/GM	SUB-D, 9-pin	5 m, shielded	SUB-D, 9-pin	RS4
50035867	CB-D9-10000-5GF/GM	SUB-D, 9-pin	10 m, shielded	SUB-D, 9-pin	RS4
Copier cable for AS-i monitor program					
50104079	CB-ASM-DK1	RJ45 plug, 8-pin	0.3 m	RJ45, 8-pin	ASM1, ASM1E

Safety Switches

Safety Locking Devices

Safety Command Devices

Safety Relays

Programmable Safety Controllers

Accessories

Glossary

Product Finder

ACCESSORIES

Display and control units





Display and control units supplement the Leuze electronic muting accessories. They consist of a plastic box with reset button for start/restart interlock and for override after a muting error (muting restart/override). The devices include an additional LED indicator, depending on the type. All display and control units are prepared for direct mounting on hard guards. They are used with access guarding with or without muting. They are especially impressive here due to their easy integration into the

protective device. As a fixed component of some CPSET safety sensor sets, they make a significant contribution to being able to quickly achieve and efficiently operate muting solutions. All devices are intended for connection to the COMPACT*plus* safety sensors. In addition, the AC-ABF-SL1, AC-ABF10 and AC-ABF50 display and control units are also suitable for connection to devices in the MLD and MSI series.

Typical areas of application

- Muting applications in conveyor and storage systems

Ordering information

Figure	Part no.	Article	Description	Features
	426363	AC-ABF-SL1	Display and control unit for muting applications	<ul style="list-style-type: none"> – LED muting indicator – Connection via terminal box to COMPACT<i>plus</i>, MLC 300, MLC 500, MLD 330, MLD 530
	426290	AC-ABF10	Control unit	<ul style="list-style-type: none"> – With reset button – Connection via terminal box to COMPACT<i>plus</i>, MLC 300, MLC 500, MLD 300, MLD 500 and MSI
	426292	AC-ABF50	Control unit	<ul style="list-style-type: none"> – Connection via terminal box to MLD 330, MLD 530, length of connection cables 3 x 5 m
	426296	AC-ABF70	Control unit	<ul style="list-style-type: none"> – With reset button – direct connection to MLD 300, MLD 500, MLC 300, MLC 500 – OSSD status signalling and illumination of the start button

DISPLAY AND CONTROL UNITS

Important technical data, overview

VDE Safety Class	III
Housing	Plastic
Clamping plate	Stainless steel
Supply voltage	24 V DC
Switching current via button	1...1000 mA
Ambient temperature, operation	-25...+60°C
Ambient temperature, storage	-30...+70°C

Functions

Display and control function for muting applications

Commit and override via button

Special features

- Easy mounting on hard guards with clamping plate



Features










Further information

Page

● COMPACT <i>plus</i> -m	148
● Ordering information	532
● MLD 500	188
● MLD 300	216
● MLC 500	84
● MLC 300	100

ACCESSORIES

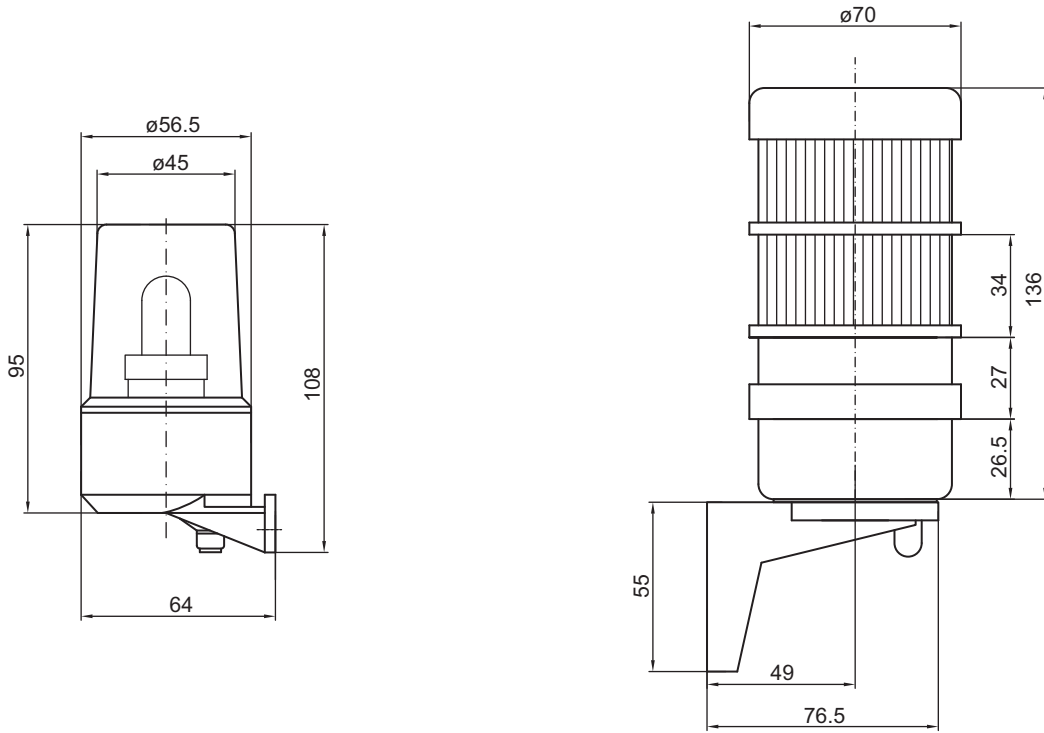
Muting indicators

Ordering information				Features				
	Article	Part no.	Description	  	Impact-resistant polyamide housing	Fast mounting with bayonet system	Protection rating	LED signal elements with long life time (up to 100,000 hrs)
	MS851	548000	Muting indicator, clear, with bulb, E14 4W / 24 V, with mounting	●	●		IP 54	
	MS70/2	660600	Muting indicator with 2 continuous light elements, clear, bulb BA15d / 24 V, with mounting bracket	●	●	●	IP 65	
	MS70/LED	660610	LED muting indicator, yellow, 24 V, without mounting element	●	●	●	IP 65	●
	MS70/LED-M12-2000-4GM	660611	LED muting indicator, yellow, 24 V, with mounting bracket and mounted connection cable, M12, 4 pin, straight, 2 m	●	●	●	IP 65	●

Please note the additional information at www.leuze.com/en/sensor-accessories.

Dimensional drawings

Muting indicators



MS851

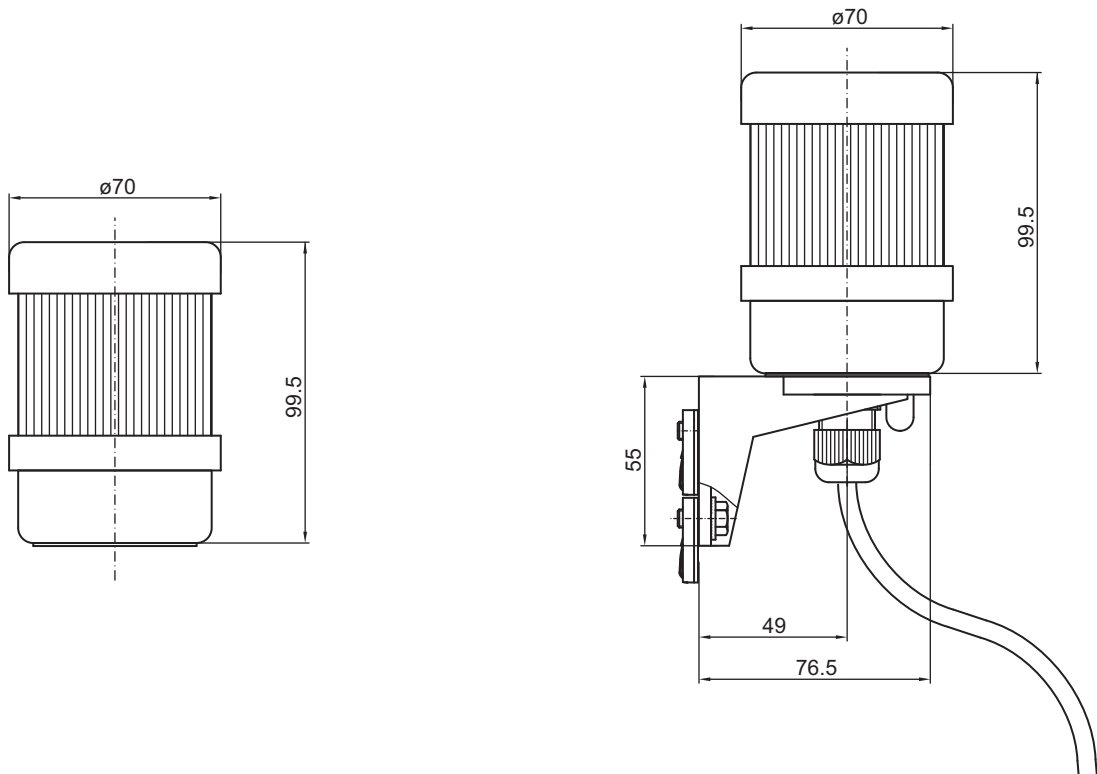
MS70/2

Dimensions in mm

ACCESSORIES

Dimensional drawings

Muting indicators



MS70/LED

MS70/LED-M12-2000-4GM

Dimensions in mm

MUTING INDICATORS

Safety Switches

Safety Locking
Devices

Safety Command
Devices

Safety Relays

Programmable
Safety Controllers

Accessories

Glossary

Product Finder

ACCESSORIES

Laser alignment aids

Opto-electronic safety sensors mostly work with infrared, therefore invisible light. The alignment of these sensors and the Deflecting Mirrors is generally relatively time-consuming, especially with multiple side guarding with Deflecting Mirrors. By contrast, the LA 78 series laser alignment aids make alignment easy and convenient. They are mounted directly on the

sensor housing and visibly mark the target point of the sensor beams with a red light laser. Complex arrangements can consequently be set up by just one person, while also saving time in the process.

Areas of application, ordering information and dimensional drawings

- Battery-operated red light lasers for quick and easy alignment of Leuze electronic opto sensors and Deflecting Mirrors.

Special features

	LA-78	LA-78U	LA-78UDC	LA-78M	LA-78M-UDC
Red light laser, laser class 2	●	●	●	●	●
Robust aluminum housing	●	●	●	●	●
Battery-operated	●	●	●	●	●
For special use in the DC or UDC floor columns			●		●

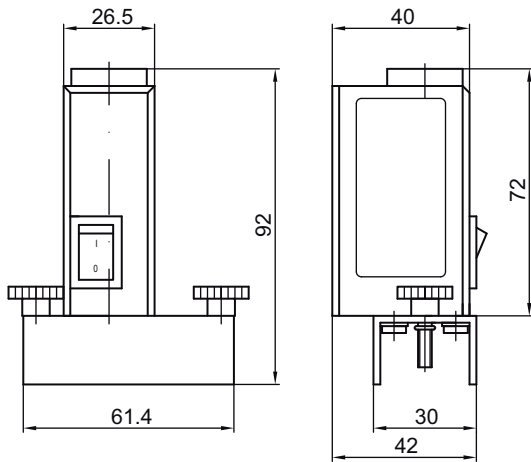
Accessories		Suitable for sensors					
Laser alignment aid		Safety Light Curtain			Multiple Light Beam Safety Device	Single Light Beam Safety Device	Laser scanners
Part no.	Article	MLC 500 MLC 300	COMPACTplus	SOLID-2 SOLID-4	MLD	SLS 78/R	RS4
549000	LA-78				*)	●	●
560020	LA-78U	●	●	●	*)		
520004	LA-78UDC	●	●	●	*)		
520023	LA-78M				●		
520024	LA-78M-UDC				●		

*) when using with BT-LA-78M mounting brackets (part no. 520021) or BT-LA-78M-UDC (part no. 520022)

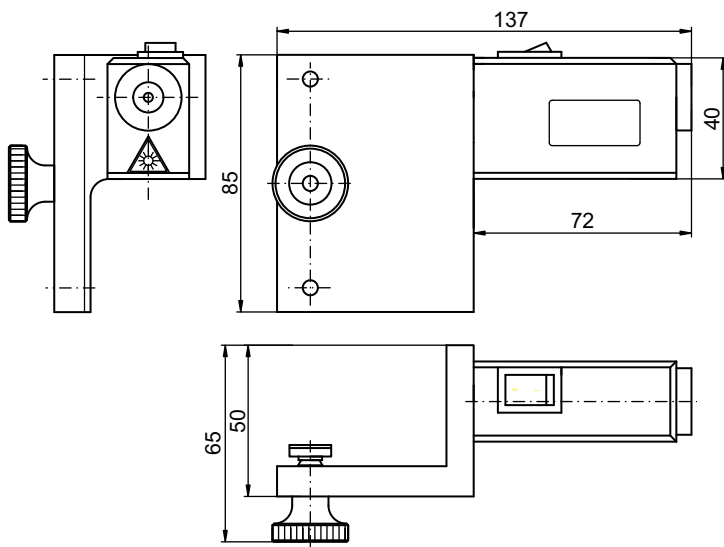
Please note the additional information at www.leuze.com/en/sensor-accessories.

Dimensional drawings

LA-78, LA-78U dimensional drawings



LA-78



LA-78U

Dimensions in mm



Features

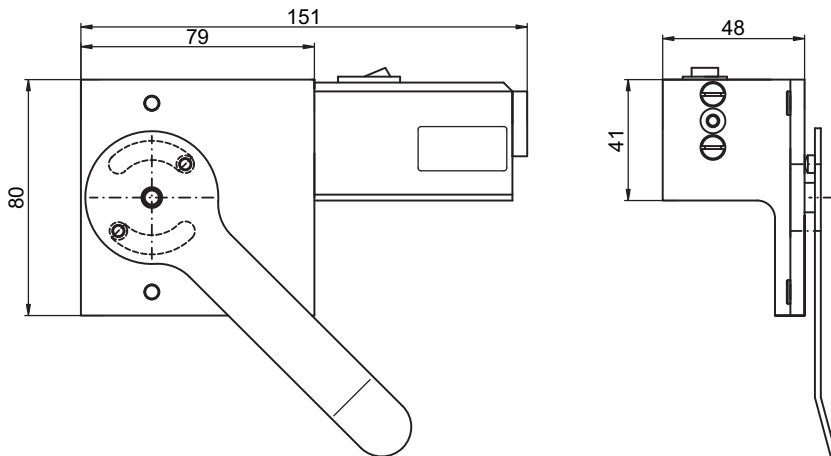


Further information	Page
● Ordering information	538

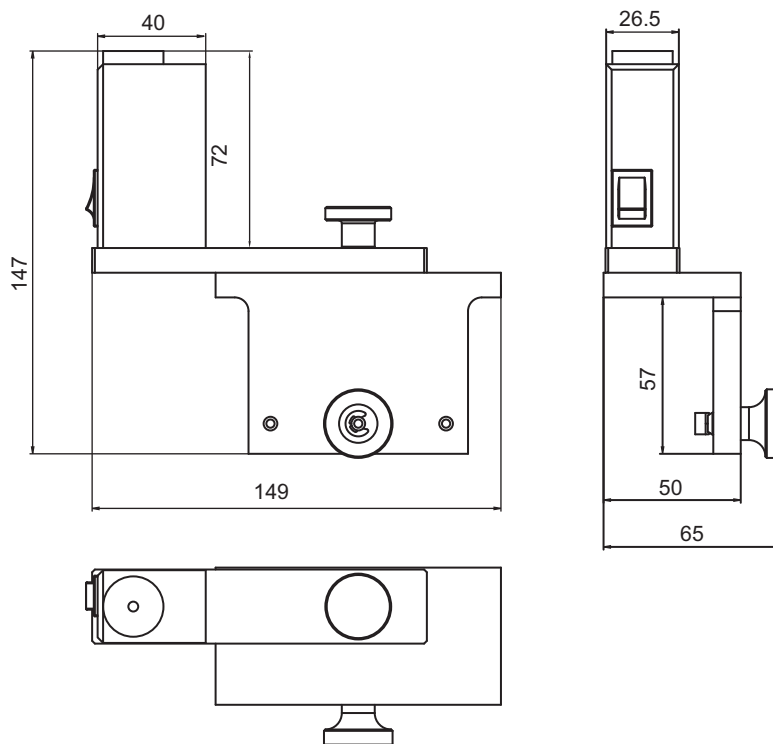
ACCESSORIES

Dimensional drawings

LA-78UDC, LA-78M dimensional drawings



LA-78UDC



LA-78M

Dimensions in mm

Protective Screens
p. 520

Connection cables
p. 522

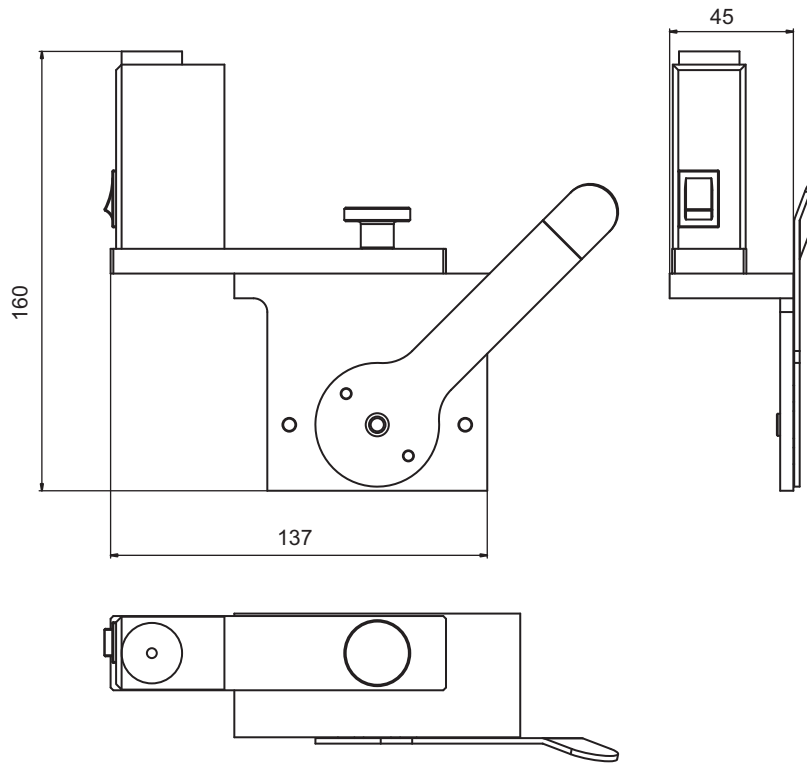
Display and control
units
p. 532

Muting indicators
p. 534

**Laser alignment aids
p. 538**

Dimensional drawings

LA-78M-UDC dimensional drawing



LA-78M-UDC

Dimensions in mm