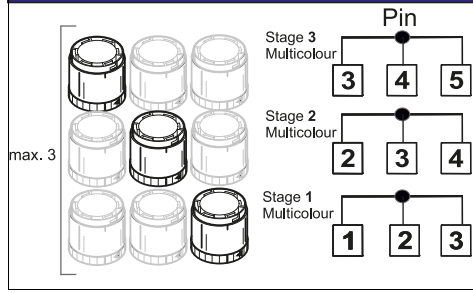
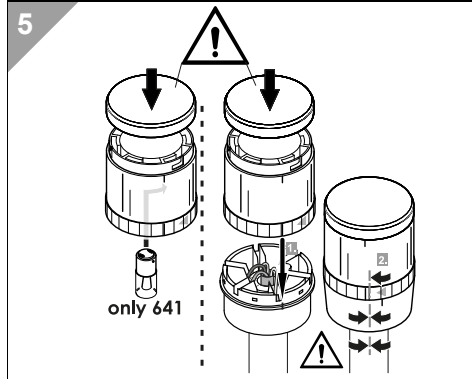
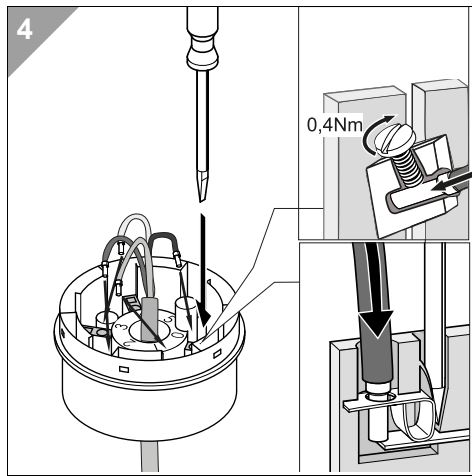
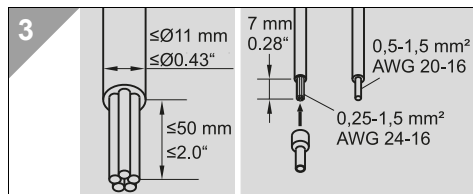


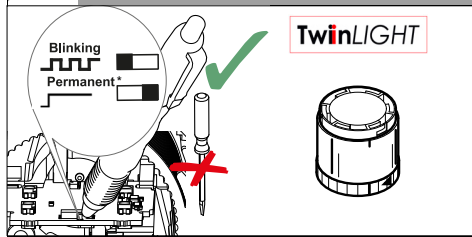
NOTICE
Multicolour 644 450 55



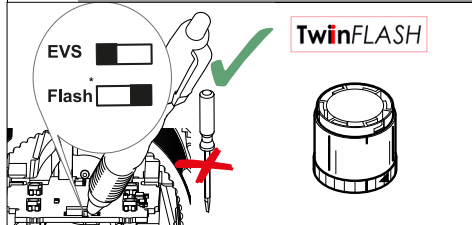
Colour (RD)	24V		
Colour (GN)		24V	
Colour (YE)	24V	24V	
Colour (BU)			24V
Colour (WH)	24V	24V	24V
Colour (TQ)		24V	24V
Colour (VT)	24V		24V



6a 647 x10 75
647 x30 75
* = Default setting

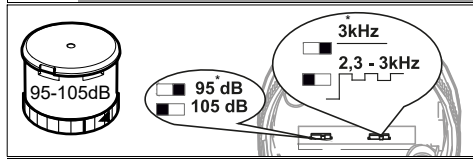


6b 647 x20 55
647 x40 55
* = Default setting

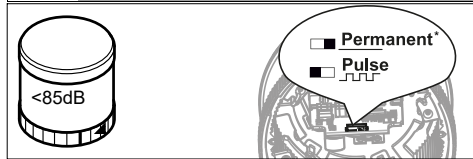


7 **WARNING**
max. 85-105dB
NOTICE
dB = dB A (SPL) 1m

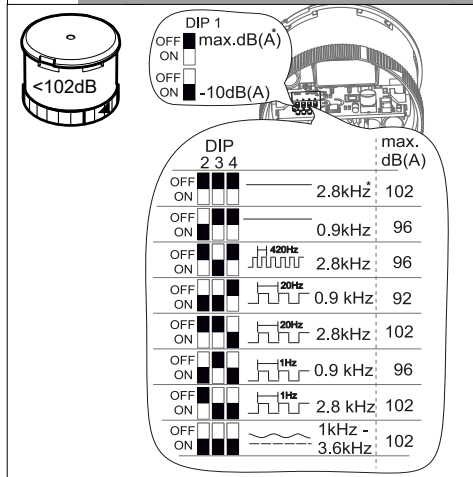
7a 645 x70 xx
645 102 75
* = Default setting



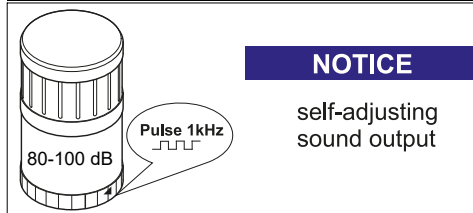
7b 645 800 xx
* = Default setting



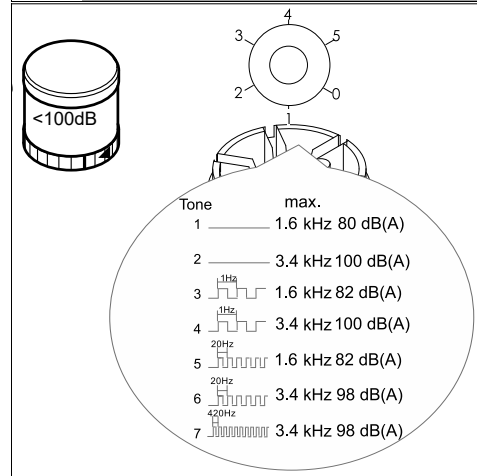
7c 645 x90 xx
* = Default setting



7d 645 810 55



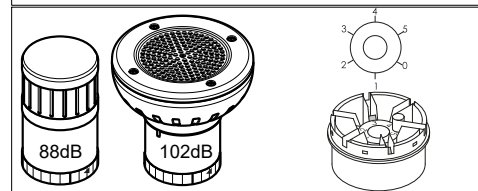
7e 645 850 55



Tone	Pin terminal element				
	1	2	3	4	5
1	+24V	+24V	NC		
2	+24V	+24V	+24V		
3	+24V	NC	NC		
4	+24V	NC	+24V		
5	NC	+24V	NC		
6	NC	+24V	+24V		
7	NC	NC	+24V		
1		+24V	+24V	NC	
2		+24V	+24V	+24V	
3		+24V	NC	NC	
4		+24V	NC	+24V	
5		NC	+24V	NC	
6		NC	+24V	+24V	
7		NC	NC	+24V	
1			+24V	+24V	NC
2			+24V	+24V	+24V
3			+24V	NC	NC
4			+24V	NC	+24V
5			NC	+24V	NC
6			NC	+24V	+24V
7			NC	NC	+24V
1				+24V	+24V
3				+24V	NC
5				NC	+24V
3					+24V

7f 645 840 55
645 860 55

NOTICE
Handbuch auf dem Sprachausgabeelement beachten.
Notice the manual on the vocal element



Tone	Pin terminal element				
	1	2	3	4	5
1		+24V	NC	NC	NC
2		NC	+24V	NC	NC
3		+24V	+24V	NC	NC
4		NC	NC	+24V	NC
5		+24V	NC	+24V	NC
6		NC	+24V	+24V	NC
7		+24V	+24V	+24V	NC
8	+24V	NC	NC	NC	+24V
9	+24V	NC	NC	NC	+24V
10		NC	+24V	NC	+24V
11		+24V	+24V	NC	+24V
12		NC	NC	+24V	+24V
13		+24V	NC	+24V	+24V
14		NC	+24V	+24V	+24V
15		+24V	+24V	+24V	+24V
1			+24V	NC	NC
2			NC	+24V	NC
3			+24V	+24V	NC
4		+24V	NC	NC	+24V
5		+24V	NC	+24V	
6		NC	+24V	+24V	
7		+24V	+24V	+24V	
1				+24V	NC
2			+24V	NC	+24V
3				+24V	+24V
1				+24V	+24V