

□ · · Detection type

- T: Through beam
- P: Polarized retro reflective
- D: Diffuse reflective
- N: Small beam reflective
- B: Background suppression

- \*1 Power LED(Green) for SA2E-T Emitter type
- \*2 Not incorporated on SA2E-T Emitter type
- \*3 Distance control(7-turn endless) for SA2E-B

◇ · · Output

N: NPN / P: PNP

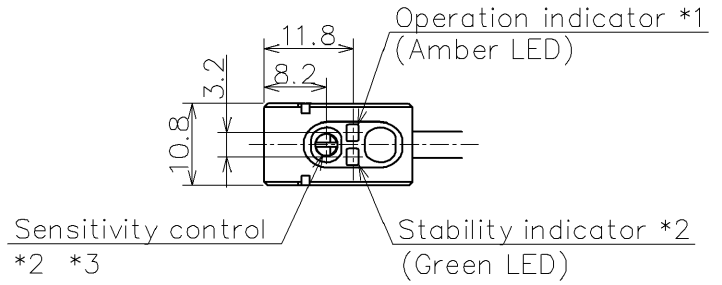
◎ · · Sensing distance range

(Diffuse reflective only)

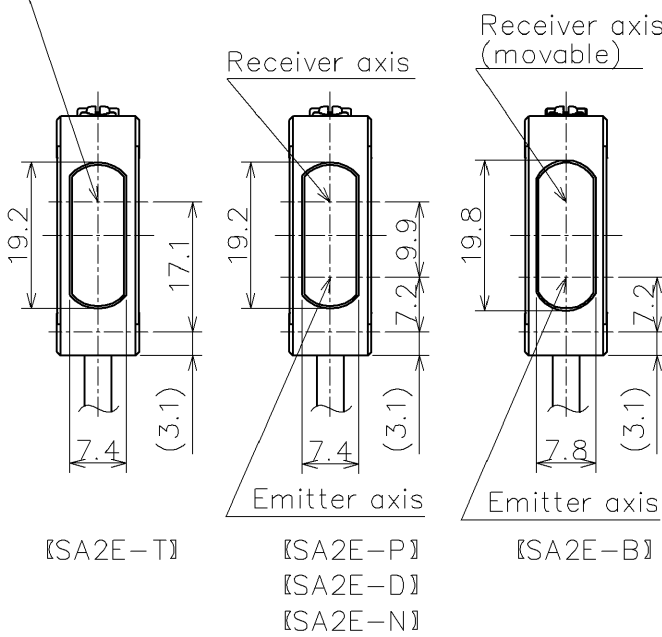
- L: Sn 1m
- M: Sn 0.5m
- S: Sn 0.1m

※ · · Cable length

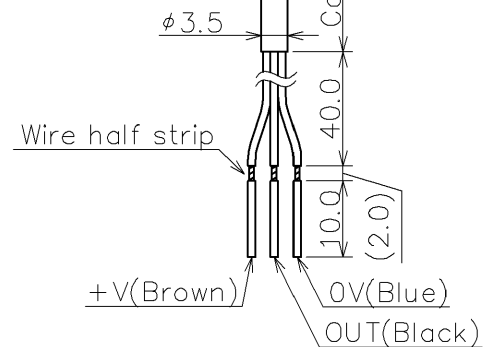
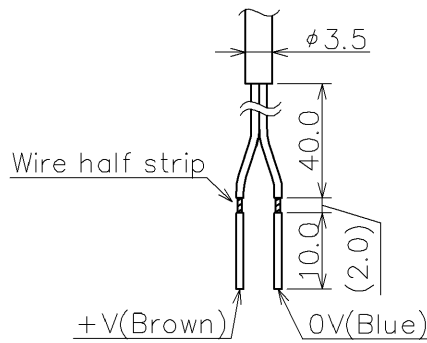
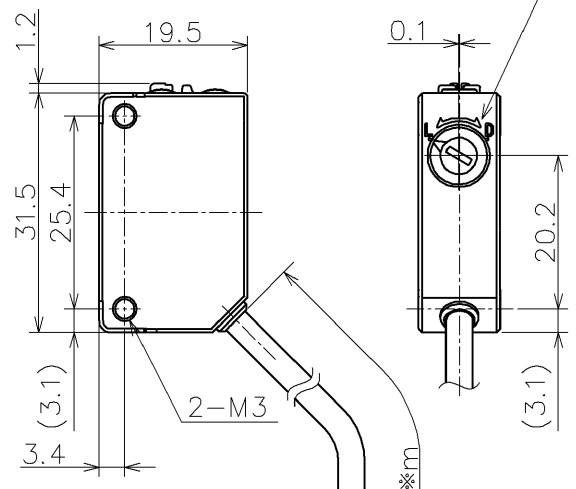
2: 2m



Emitter axis(Emitter type)  
Receiver axis(Receiver type)



Operation model switch \*2  
(L: Light ON / D: Dark ON)



【SA2E-T Emitter type】

\* Excluding SA2E-T Emitter type

			Product Name: SA2E PHOTOELECTRIC SWITCH	
			Type Number: SA2E-□◇3(◎)-※M	
Approved by	K.Yasukawa	May.18 ,2022	Dim.: mm	Outside View
Checked by	S.Okamoto	May.18 ,2022	Drawing No.	
Drawn by	E.Watai	May.18 ,2022	MA4-G00285C	