



Think Automation and beyond...



IDEC Power Supplies
Setting a New Standard

Experience the Revolution

Power supplies that adapt to your application

Setting a new standard

Utilizing the latest advancements in technology, our new expandable line of PS6R power supplies are the first in the industry with DC-DC converters that provide multiple voltage outputs from one unit! Able to meet the ever-changing demands of your application, these power supplies combine big power in a small package, providing space savings and less wiring time. The bottom line is a cost effective solution with the flexibility to adapt to your changing power requirements as your application evolves!

As a leader in the industry, our engineers continuously research new and better solutions to increase the efficiency and safety of our products. At IDEC, power supplies aren't just an "add-on" product; they are the foundation of a reliable application. We are committed to upholding the highest standards of manufacturing and design to produce a complete line of power supplies that outlast and outperform the competition!

IDEC's History of Innovation

- 1st with UL 508 approval
- 1st with finger-safe screw terminals
- 1st with SEMI F47 approval
- 1st expandable DIN rail power supply



The Right Power Supply For Your Application



PS6R Expandable

- Expansion modules add flexibility
- 5V, 12V & 15V attachments
- 24V DC main output
- Adjustable output voltage
- Slim and compact
- DIN rail or direct mounting
- 93% efficiency
- Finger-safe screw terminals
- Output alarm contact
- Class I, Div. 2, SEMI F47, UL61010



PS5R-V Standard

- Compact size
- Universal Voltage Input: 85-264V AC/100-370V DC
- Approved for Class I Division 2 hazardous locations
- DIN-rail or panel mount
- Overcurrent protection UL61010, Semi F47



PS3X Metal

- Compact and cost-effective
- Five output wattages
- 5V, 12V and 24V outputs
- DIN rail or direct mounting
- Finger-safe screw terminals
- UL/c-UL recognized and CE marked

Choose Your Power

800.262.4332

www.IDEC.com/powersupply

Three models to choose from

Your power supply is a critical part of your system. So when it comes to choosing a power supply, it's important to find the right one. With three distinct series, IDEC has power supplies to fit a variety of applications. Whether you need a power supply that can grow with your application, fit in a tight space, provide a wide power range or meet a fixed budget, IDEC provides the best options to meet your specific power needs!

	PS6R	PS5R-V	PS3X
Universal input voltage allows use around the world	✓	✓	✓
RoHS compliant	✓	✓	✓
Finger-safe terminals for worker safety	✓	✓	✓
Adjustable output voltage	✓	✓	✓
Operation indicator LED	✓	✓	✓
Series wiring capable for extra output voltage	✓	✓	✓
DIN Rail mount	✓	✓	✓
Panel mount	✓	✓	✓
UL61010	✓	✓	
High stability with output hold time = 20ms	✓	✓	
Power factor correction	✓	✓	
Spring-up screw terminals accept ring lugs, fork connectors, or stripped wire	✓	✓	
Parallel capable for extra output current	✓		
Output voltage low LED	✓	✓	
Class I, Division 2 for use in hazardous locations	✓	✓	
SEMI F47 sag immunity	✓	✓	
Slim, space saving design	✓	✓	
3-phase operation			
Voltage expansion modules	✓		
Additional wiring terminals	✓		
Alarm output contact	✓		
High efficiency greater than 90%	✓		
High operating temperature of 70°C	✓	✓	

PS6R: World's First Expandable Power Supply

Universal Inputs

The power inputs have a range of 85-264V AC to 110-350V DC, and automatically adjust to the correct input power.

Alarm Output

NPN transistor output can be used to signal when output voltage is below 80% of rated value.

Add-on Expansion Modules

When multiple output voltages or extra wiring terminals are needed, choose from seven expansion modules instead of buying another power supply.



DC Low Indicator

Indicator turns on when the output voltage drops below 80% of the rated value.

DC ON Indicator

Indicator turns on when the unit is powered up.

Output Voltage Adjustment

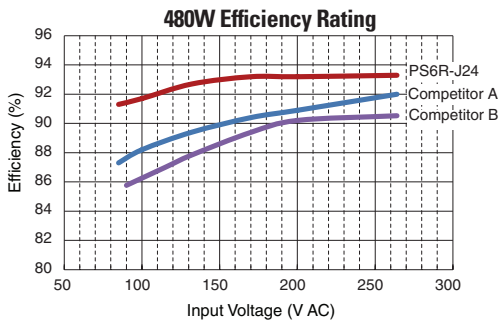
The output voltage can be easily adjusted within +/- 10% of the rated voltage.

Output Channel

PS6R power supplies have very low output ripples of less than 1% peak to peak.

Spring-up, Finger-safe Screw Terminals

These terminals provide additional safety, increase ease of use, and allow use of ring or fork terminals.



With a 93 percent efficiency rating, PS6R power supplies save energy while maintaining high output ratings and improving productivity. Saving energy at the component level drives energy savings throughout your application. Plus these power supplies generate less heat in the cabinet, reducing temperature stress on critical components.

800.262.4332

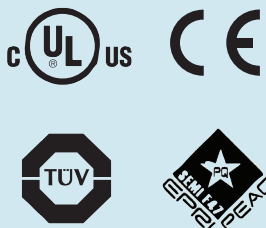
www.IDEC.com/powersupply

PS6R Power Supplies



Expandable Series

- Expansion modules for multiple voltages
- Lightweight and compact in size
- Wide power range:
120W - 480W
- Universal input:
85-264V AC/110-350V DC
- Power Factor Correction
- Meets SEMI F47 Sag Immunity
- Approved for Class I Div. 2 Hazardous Locations
- Overcurrent protection, auto-reset
- Overvoltage protection, shut down
- Spring-up Screw Terminal type, IP20 (finger-safe)
- DIN rail or panel surface mount
- Approvals:
CE Marked
TÜV
c-UL, UL61010
CSA C22.2 No. 107.1
UL1604: Class I Div 2
EN 50178
LVD: EN662368
EMC: Directive EN61204-3
EMI: Class B, EMS: Industrial



120-Watt Power Supply

Part Number	Rated Voltage	Rated Current
PS6R-F24	24V DC	5A



240-Watt Power Supply

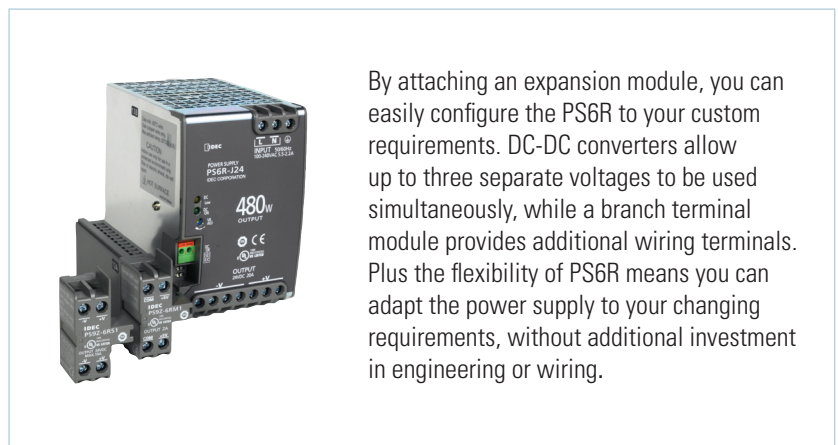
Part Number	Rated Voltage	Rated Current
PS6R-G24	24V DC	10A



480-Watt Power Supply

Part Number	Rated Voltage	Rated Current
PS6R-J24	24V DC	20A

Expansion made easy



By attaching an expansion module, you can easily configure the PS6R to your custom requirements. DC-DC converters allow up to three separate voltages to be used simultaneously, while a branch terminal module provides additional wiring terminals. Plus the flexibility of PS6R means you can adapt the power supply to your changing requirements, without additional investment in engineering or wiring.

Expansion Modules

DC-DC Converter Module



Part Number	Output
PS9Z-6RM1	+5V, 2A, 10W
PS9Z-6RM2	+12V, 1A, 12W
PS9Z-6RM3	+5V, 1A/-5V, 1A 10W
PS9Z-6RM4	+15V, 0.4A/-15V, 0.4A, 12W
PS9Z-6RM5	+5V, 1A/+12V, 0.5A, 11W
PS9Z-6RM6	+12V, 0.5A/-12V, 0.5A, 12W

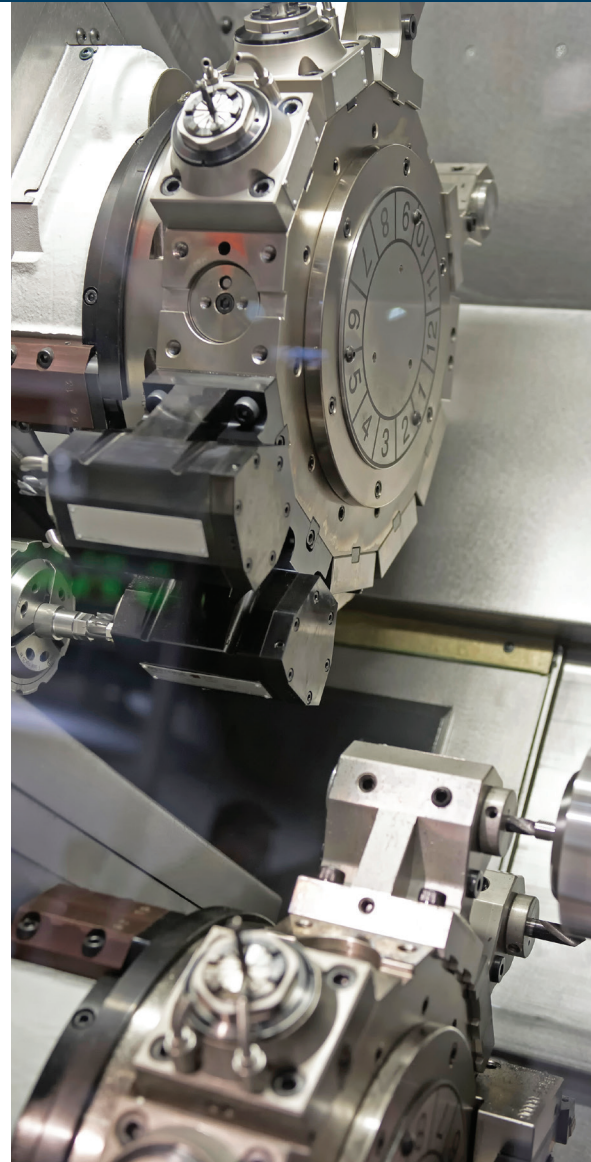


Branch Terminal Module

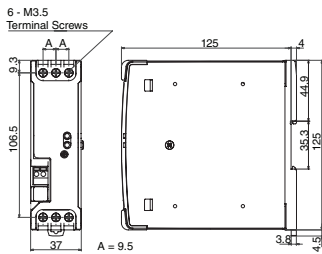
Part Number	Rated Voltage/Current
PS9Z-6RS1	+24V/10A Max

800.262.4332

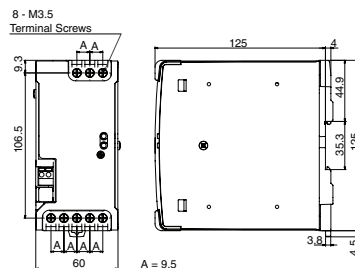
www.IDEC.com/powersupply



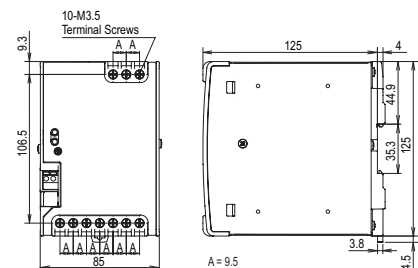
Expandable Power Supply Dimensions



PS6R-F24 (120W)
 Height 125mm
 Width 37mm
 Depth 125mm



PS6R-G24 (240W)
 Height 125mm
 Width 60mm
 Depth 125mm



PS6R-J24
 Height 125mm
 Width 85mm
 Depth 125mm

PS5R-V Slim Line Power Supplies



- Compact in size
- Wide power range:
7.5W-240W
- Universal input:
85-264V AC/100-370V DC
- Meets SEMI F47 Sag Immunity
- Approved for Class I Div. 2 Hazardous Locations
- Overcurrent protection, auto-reset
- Overvoltage protection, shut down
- Spring-up Screw Terminal type, IP20 (finger-safe)
- DIN rail or panel surface mount
- Approvals:
CE Marked
TÜV
c-UL, UL61010
UL1604: Class I Div 2
EN 50178
LVD:EN662368
EMC: Directive EN61204-3:2000
EMI: Class B, EMS: Industrial



7.5 Watt

Part Number	Rated Voltage	Rated Current
PS5R-VA05	5V DC	1.5A
PS5R-VA12	12V DC	0.6A
PS5R-VA24	24V DC	0.3A



15 Watt / 30 Watt

15 Watt		
Part Number	Rated Voltage	Rated Current
PS5R-VB05*	5V DC	2.0A
PS5R-VB12	12V DC	1.3A
PS5R-VB24	24V DC	0.65A

30 Watt		
Part Number	Rated Voltage	Rated Current
PS5R-VC12	12V DC	2.5A
PS5R-VC24	24V DC	1.3A

* 5VDC Model is 10W



60 Watt / 90 Watt

60 Watt		
Part Number	Rated Voltage	Rated Current
PS5R-VD24	24V DC	2.5A

90 Watt		
Part Number	Rated Voltage	Rated Current
PS5R-VE24	24V DC	3.75A



120-Watt

Part Number	Rated Voltage	Rated Current
PS5R-VF24	24V DC	5A

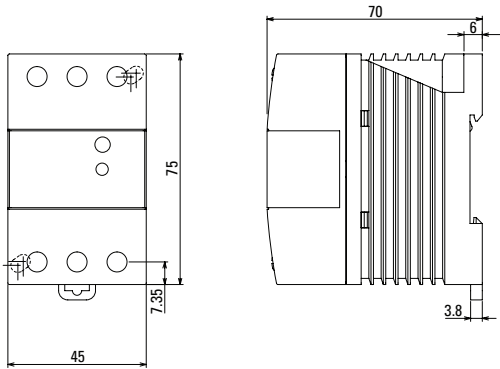


240-Watt

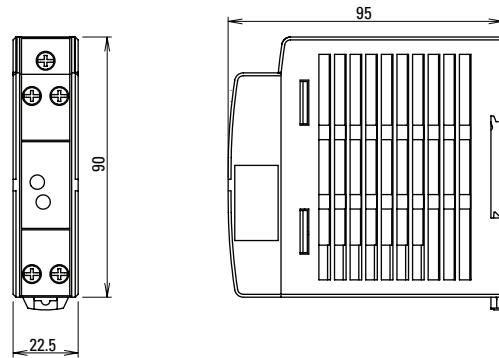
Part Number	Rated Voltage	Rated Current
PS5R-VG24	24V DC	10A

Dimensions (mm)

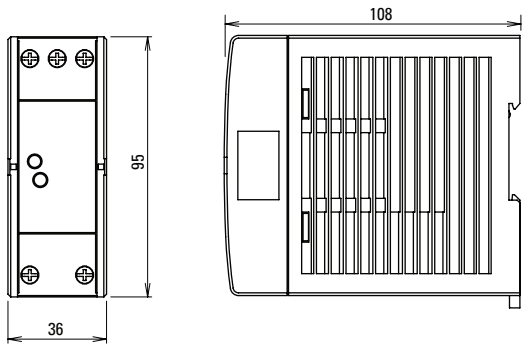
PS5R-VA



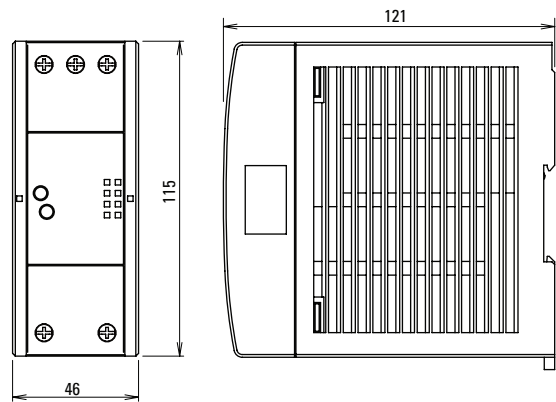
PS5R-VB/VC



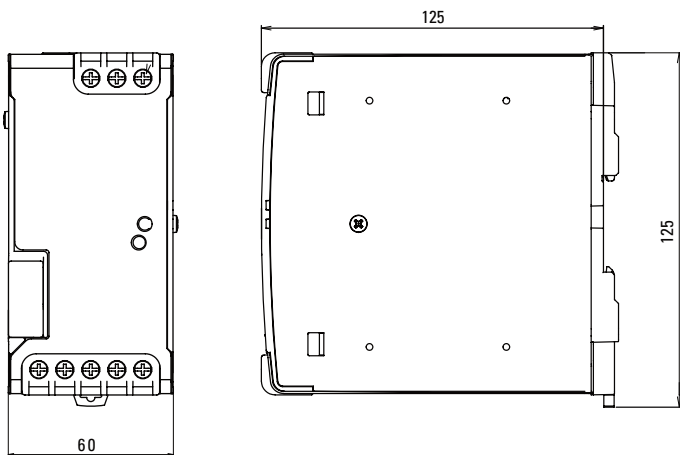
PS5R-VD/VE



PS5R-VF



PS5R-VG



800.262.4332

www.IDEC.com/powersupply

PS3X Metal Power Supplies



Metal Series

- Slim and compact style
- Wide Power Range:
15W-100W
- Universal input:
15W: 85-264V AC/120-375V DC
25-100W: 88-264V AC/125-375V DC
- Overcurrent/Overvoltage protection
- Voltage $\pm 10\%$ adjustment
- DIN-rail or panel-surface mounting brackets available
- Approvals:
CE marked
cURus
EN60950-1 compliant
- EMC Directives:
EN55022 Class B
EN55024



15-Watt Power Supply

Part Number	Rated Voltage	Rated Current
PS3X-B05	5V DC	3A
PS3X-B12	12V DC	1.3A
PS3X-B24	24V DC	0.63A



25-Watt Power Supply

Part Number	Rated Voltage	Rated Current
PS3X-C05	5V DC	5A
PS3X-C12	12V DC	2.1A
PS3X-C24	24V DC	1.1A



50-Watt Power Supply

Part Number	Rated Voltage	Rated Current
PS3X-D12	12V DC	4.2A
PS3X-D24	24V DC	2.2A



75-Watt Power Supply

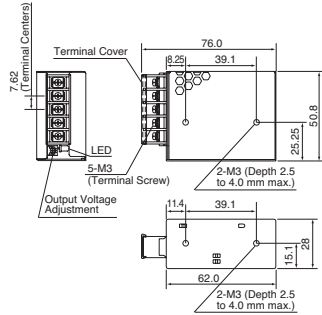
Part Number	Rated Voltage	Rated Current
PS3X-Q05	5V DC	12A
PS3X-Q12	12V DC	6A
PS3X-Q24	24V DC	3.2A



100-Watt Power Supply

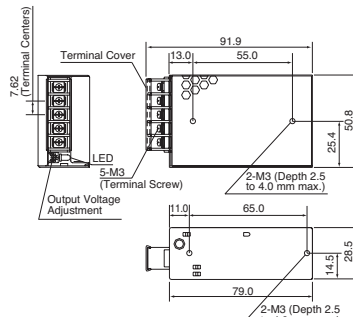
Part Number	Rated Voltage	Rated Current
PS3X-E05	5V DC	16A
PS3X-E12	12V DC	8.5A
PS3X-E24	24V DC	4.5A

Metal Power Supply Dimensions



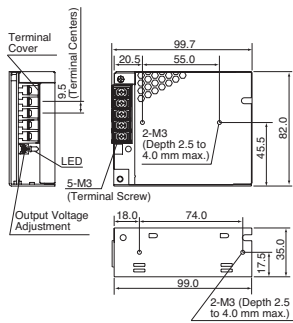
PS3X-B (15W)

Height 50.8mm
Width 28mm
Depth 62mm



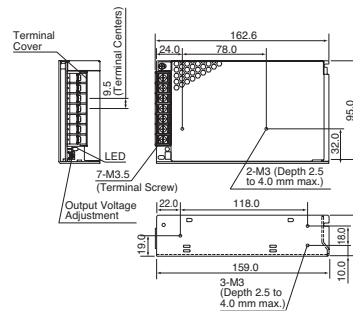
PS3X-C (25W)

Height 50.8mm
Width 28.5mm
Depth 79mm



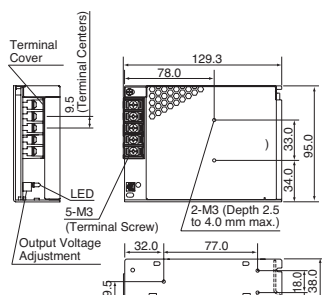
PS3X-D (50W)

Height 82mm
Width 35mm
Depth 99mm



PS3X-Q (75W)

Height 95mm
Width 38mm
Depth 129mm



PS3X-E (100W)

Height 95mm
Width 38mm
Depth 159mm

800.262.4332

www.IDEC.com/powersupply



Your Single Source Solution

For more than 65 years, IDEC has focused on creating high-quality and reliable control and automation products, while giving you personalized service and customized solutions to keep your applications up and running.



Switches



Relays



HMIs



PLCs

Technical support:

support@idec.com

Sales support:

sales@idec.com

800.262.4332

www.IDEC.com/usa



Think Automation and beyond...

www.IDEC.com

USA

IDEC Corporation
Tel: (408) 747-0550
opencontact@IDEC.com

Canada

IDEC Canada Ltd.
Tel: (905) 890-8561
sales@ca.IDEC.com

Australia

IDEC Australia Pty. Ltd.
Tel: +61-3-8523-5900
sales@au.IDEC.com

Japan

IDEC Corporation
Tel: +81-6-6398-2527
marketing@IDEC.co.jp

United Kingdom

IDEC Electronics Ltd.
Tel: +44-1256-321000
sales@uk.IDEC.com

Germany

IDEC Elektrotechnik GmbH
Tel: +49-40-253054-0
service@IDEC.de

Hong Kong

IDEC (H.K.) Co., Ltd.
Tel: +852-2803-8989
info@hk.IDEC.com

China/Beijing

IDEC (Beijing) Corporation
Tel: +86-10-6581-6131

China/Shanghai

IDEC (Shanghai) Corporation
Tel: +86-21-6135-1515
idec@cn.IDEC.com

China/Shenzhen

IDEC (Shenzhen) Corporation
Tel: +86-755-8356-2977

Singapore

IDEC Asia Pte. Ltd.
Tel: +65-6746-1155
info@sg.IDEC.com

Taiwan

IDEC Taiwan Corporation
Tel: +886-2-2698-3929
service@tw.IDEC.com

©2020 IDEC Corporation. All Rights Reserved.
Catalog No. PS9Y-B200-1 02/20 10K

Specifications and other descriptions in this catalog are subject to change without notice.