



## **SECTION 8**

# **ENCAPSULATED DISTRIBUTION TRANSFORMERS**

## **Commercial & Industrial Single Phase and Three Phase**

### **HPS Fortress™ Commercial Encapsulated Transformers**

Applications & Features .....	190
Single Phase Standard Specification .....	192
Single Phase Selection Tables .....	193
Three Phase Standard Specifications .....	196
Three Phase Selection Tables .....	197

### **HPS TITAN® Industrial Encapsulated Transformers**

Applications .....	199
Features & Benefits .....	199
Single Phase Standard Specifications .....	200
Single Phase Selection Tables .....	201
Three Phase Standard Specifications .....	203
Three Phase Selection Tables .....	204
Enclosure Dimensional Drawings .....	228
Accessories - Enclosure Mounting Kits, Anti-Vibration Pads & Isolators .....	238
Wiring Schematic Drawings .....	243

## HPS Fortress Features

HPS Fortress is an innovative design that provides the ideal solution for commercial applications where **quality, ease of installation, and low cost** are key.

All units are encapsulated with electrical grade silica sand and resin compounds, which completely enclose the core and coil to seal out moisture, airborne contaminants and eliminates corrosion and deterioration.

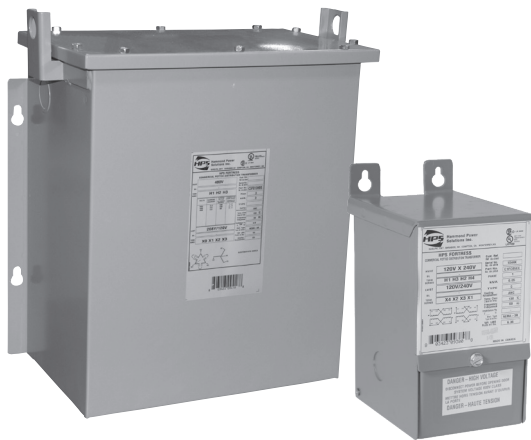
### Standard Features

Features	Single Phase	Three Phase
<b>Voltage Groups</b>	9 standard voltage groups	8 standard voltage groups
<b>Ratings</b>	From 50VA to 37.5kVA	From 2kVA to 75kVA
<b>Shield</b>	Standard shield from 750VA and up	Standard shield on all units
<b>Frequency</b>	60 Hz (50Hz standard on four voltage groups)	60Hz standard on all voltage groups
<b>Connection</b>	Standard via copper leads	
<b>Enclosure</b>	Type 3R	Type 3R (type 4/12 with optional gasket kit installed)
<b>Quality Design</b>	All units are encapsulated with electrical grade silica sand and resin compounds, which completely enclose the core and coil to seal out moisture, airborne contaminants and eliminates corrosion and deterioration.	
<b>Conduit Knockouts</b>	For rear and side entry into an easily accessible and roomy wiring compartment (no knock-outs on Stainless Steel enclosures).	
<b>Installation</b>	Wall mounting up to 25kVA, optional wall mounting bracket available on 37.5kVA. Wall mounting template supplied.	Wall mounting up to 9kVA, optional wall mounting bracket available on 15kVA, 30kVA and 45kVA. Wall mounting template supplied.
<b>Warranty</b>	All HPS standard catalog encapsulated transformers come with a 10 year limited* warranty	

\*(Please refer to the HPS Warranty on page 26 for full details.)

SECTION 8

Inexpensive  
& easy

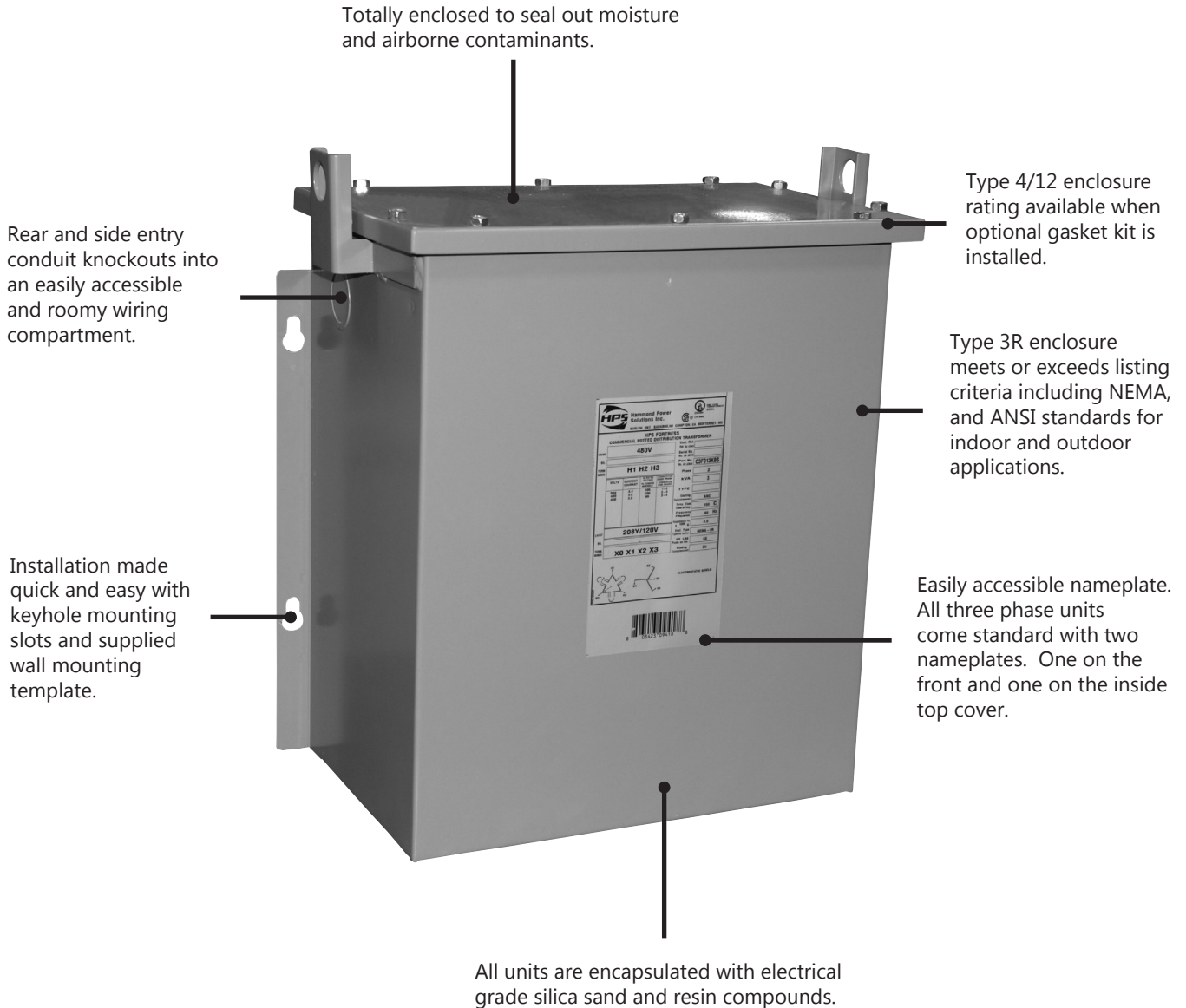


### Applications

- Shopping Centers
- Schools
- Sports Complexes
- Office Buildings
- Lighting



## HPS Fortress Features continued...



**Note:** Picture displayed above is a standard three phase HPS Fortress units.



## HPS FORTRESS™

### COMMERCIAL ENCAPSULATED DISTRIBUTION TRANSFORMERS

#### SINGLE PHASE STANDARD SPECIFICATIONS - ALUMINUM WOUND



**0.50 TO 1 KVA**



**1.5 TO 37.5 KVA**



	<b>.05 kVA to 1 kVA</b>	<b>1.5 kVA to 37.5 kVA</b>
UL Listed	File: E50394	File: E50394
CSA Certified	File: LR3902	File: LR3902
Frequency	60 Hz (50/60 Hz)	60 Hz (50/60 Hz)
Insulation System	130°C (80°C rise) standard on all units	180°C (115°C rise) standard on all units.
Electrostatic Shield	Standard on 0.75 kVA and up.	Standard on all units.
Encapsulation	All units are encapsulated with electrical grade silica sand and resin compounds.	All units are encapsulated with electrical grade silica sand and resin compounds.
Enclosure Type	Type 3R	Type 3R
Enclosure Finish	ANSI 61 Grey, UL50	ANSI 61 Grey, UL50
Termination	Front accessible separate high and low voltage lead wires or copper tabs.	Front accessible separate high and low voltage lead wires or copper tabs.
Conduit Knock-Outs	Standard side and rear knock-outs on all units (no knock-outs on Stainless Steel enclosures).	Standard side and rear knock-outs on all units (no knock-outs on Stainless Steel enclosures).
Impedance	Typically 5 to 10%.	Typically 1 to 5%.
Mounting	Standard Wall Mounting.	Standard Wall Mounting up to 25kVA. Optional wall mounting kit for 37.5kVA units. Lifting provisions standard on units 5 kVA and up.
Sound Level	Meets NEMA ST-20 standards.	Meets NEMA ST-20 standards

**Other voltages and kVA ratings not listed in this section are available upon request. Please contact customer service for details, price and availability.**

## ALUMINUM SINGLE PHASE, TYPE 3R ENCLOSURE



120 X 240 Primary Volts

120/240 Secondary Volts

60 Hz

kVA	Catalog Number	Case Style (Pages 228 - 230)	Approx. Dimensions (Inches)			Approx. Weight (Lbs.)	Mtg Type W - Wall F - Floor	Wiring Diagram (Pages 243 - 258)
			Width	Depth	Height			
0.05	C1FC05EE	NQ0	3.69	5.06	7.19	7	W	SCD1
0.10	C1FC10EE	NQ0	3.69	5.06	7.19	7	W	SCD1
0.15	C1FC15EE	NQ0	3.69	5.06	7.19	8	W	SCD1
0.25	C1FC25EE	NQ0	3.69	5.06	7.19	9	W	SCD1
0.35	C1FC35EE	NQ1	4.31	5.56	7.19	15	W	SCD1
0.50	C1FC50EE	NQ1	4.31	5.56	7.19	16	W	SCD1
0.75	C1FC75EES	NQ2	5.06	4.56	9.30	23	W	SCD1
1	C1F1C0EES	NQ3	5.88	5.19	10.56	24	W	SCD1
1.5	C1F1C5EES	NQ3	5.88	5.19	10.56	33	W	SCD1
2	C1F002EES	NQ4	7.06	6.25	11.75	42	W	SCD1
3	C1F003EES	NQ4	7.06	6.25	11.75	55	W	SCD1
5	C1F005EES	NQ5	10.00	7.75	17.25	96	W	SCD1
7.5	C1F007EES	NQ6A	12.25	9.25	17.63	148	W	SCD2
10	C1F010EES	NQ6	12.25	9.25	20.88	178	W	SCD2

208 X 416 Primary Volts

120/240 Secondary Volts

60 Hz

kVA	Catalog Number	Case Style (Pages 228 - 230)	Approx. Dimensions (Inches)			Approx. Weight (Lbs.)	Mtg Type W - Wall F - Floor	Wiring Diagram (Pages 243 - 258)
			Width	Depth	Height			
0.05	C1FC05GE	NQ0	3.69	5.06	7.19	7	W	SCD1
0.10	C1FC10GE	NQ0	3.69	5.06	7.19	7	W	SCD1
0.15	C1FC15GE	NQ0	3.69	5.06	7.19	8	W	SCD1
0.25	C1FC25GE	NQ0	3.69	5.06	7.19	9	W	SCD1
0.35	C1FC35GE	NQ1	4.31	5.56	7.19	15	W	SCD1
0.50	C1FC50GE	NQ1	4.31	5.56	7.19	16	W	SCD1
0.75	C1FC75GES	NQ2	5.06	4.56	9.30	23	W	SCD1
1	C1F1C0GES	NQ3	5.88	5.19	10.56	24	W	SCD1
1.5	C1F1C5GES	NQ3	5.88	5.19	10.56	33	W	SCD1
2	C1F002GES	NQ4	7.06	6.25	11.75	42	W	SCD1
3	C1F003GES	NQ4	7.06	6.25	11.75	55	W	SCD1
5	C1F005GES	NQ5	10.00	7.75	17.25	96	W	SCD1
7.5	C1F007GES	NQ6A	12.25	9.25	17.63	148	W	SCD2
10	C1F010GES	NQ6	12.25	9.25	20.88	178	W	SCD2

120/208/240/277 Primary Volts

120/240 Secondary Volts

60 Hz

kVA	Catalog Number	Case Style (Pages 228 - 230)	Approx. Dimensions (Inches)			Approx. Weight (Lbs.)	Mtg Type W - Wall F - Floor	Wiring Diagram (Pages 243 - 258)
			Width	Depth	Height			
0.05	C1FC05WE	NQ0	3.69	5.06	7.19	7	W	SCD41
0.10	C1FC10WE	NQ0	3.69	5.06	7.19	7	W	SCD41
0.15	C1FC15WE	NQ0	3.69	5.06	7.19	8	W	SCD41
0.25	C1FC25WE	NQ1	4.31	5.56	7.19	10	W	SCD41
0.35	C1FC35WE	NQ2	5.06	4.56	9.30	17	W	SCD41
0.50	C1FC50WE	NQ2	5.06	4.56	9.30	25	W	SCD41
0.75	C1FC75WES	NQ2	5.06	4.56	9.30	23	W	SCD41
1	C1F1C0WES	NQ3	5.88	5.19	10.56	24	W	SCD41
1.5	C1F1C5WES	NQ3	5.88	5.19	10.56	37	W	SCD41
2	C1F002WES	NQ4	7.06	6.25	11.75	52	W	SCD41
3	C1F003WES	NQ5	10.00	7.75	17.25	65	W	SCD2
5	C1F005WES	NQ5	10.00	7.75	17.25	108	W	SCD2
7.5	C1F007WES	NQ6	12.25	9.25	20.88	171	W	SCD2
10	C1F010WES	NQ6	12.25	9.25	20.88	183	W	SCD2



## ALUMINUM WOUND SINGLE PHASE, TYPE 3R ENCLOSURE



240 X 480 Primary Volts

120/240 Secondary Volts

60 Hz

kVA	Catalog Number	Case Style (Pages 228 - 230)	Approx. Dimensions (Inches)			Approx. Weight (Lbs.)	Mtg Type W - Wall F - Floor	Wiring Diagram (Pages 243 - 258)
			Width	Depth	Height			
0.05	C1FC05LE	NQ0	3.69	5.06	7.19	7	W	SCD1
0.10	C1FC10LE	NQ0	3.69	5.06	7.19	7	W	SCD1
0.15	C1FC15LE	NQ0	3.69	5.06	7.19	8	W	SCD1
0.25	C1FC25LE	NQ1	4.31	5.56	7.19	9	W	SCD1
0.35	C1FC35LE	NQ1	4.31	5.56	7.19	15	W	SCD1
0.50	C1FC50LE	NQ1	4.31	5.56	7.19	16	W	SCD1
0.75	C1FC75LES	NQ2	5.06	4.56	9.30	23	W	SCD1
1	C1F1C0LES	NQ3	5.88	5.19	10.56	24	W	SCD1
1.5	C1F1C5LES	NQ3	5.88	5.19	10.56	33	W	SCD1
2	C1F002LES	NQ4	7.06	6.25	11.75	42	W	SCD1
3	C1F003LES	NQ4	7.06	6.25	11.75	55	W	SCD1
5	C1F005LES	NQ5	10.00	7.75	17.25	115	W	SCD1
7.5	C1F007LES	NQ6A	12.25	9.25	17.63	148	W	SCD2
10	C1F010LES	NQ6	12.25	9.25	20.88	179	W	SCD2
15	C1F015LES	NQ7	14.50	10.75	21.38	265	W	SCD2
25	C1F025LES	NQ8	14.50	10.75	27.38	385	W	SCD2
37.5	C1F037LES	NQS10	21.88	18.50	31.00	598	F or W*	SCD2

\*OPTIONAL WALL MOUNTING KIT REQUIRED.  
REFER TO PAGE 240 FOR DETAILS.

277 Primary Volts

120/240 Secondary Volts

50/60 Hz

kVA	Catalog Number	Case Style (Pages 228 - 230)	Approx. Dimensions (Inches)			Approx. Weight (Lbs.)	Mtg Type W - Wall F - Floor	Wiring Diagram (Pages 243 - 258)
			Width	Depth	Height			
0.05	C1FC05CE	NQ0	3.69	5.06	7.19	7	W	SCD4
0.10	C1FC10CE	NQ0	3.69	5.06	7.19	7	W	SCD4
0.15	C1FC15CE	NQ0	3.69	5.06	7.19	8	W	SCD4
0.25	C1FC25CE	NQ0	3.69	5.06	7.19	9	W	SCD4
0.35	C1FC35CE	NQ2	5.06	4.56	9.30	15	W	SCD4
0.50	C1FC50CE	NQ2	5.06	4.56	9.30	15	W	SCD4
0.75	C1FC75CES	NQ2	5.06	4.56	9.30	23	W	SCD4
1	C1F1C0CES	NQ3	5.88	5.19	10.56	24	W	SCD4
1.5	C1F1C5CES	NQ3	5.88	5.19	10.56	33	W	SCD4
2	C1F002CES	NQ4	7.06	6.25	11.75	42	W	SCD4
3	C1F003CES	NQ4	7.06	6.25	11.75	55	W	SCD4
5	C1F005CES	NQ5	10.00	7.75	17.25	115	W	SCD4
7.5	C1F007CES	NQ6A	12.25	9.25	17.63	148	W	SCD2
10	C1F010CES	NQ6	12.25	9.25	20.88	178	W	SCD2

277/480 Primary Volts

208/277 Secondary Volts

50/60 Hz

kVA	Catalog Number	Case Style (Pages 228 - 230)	Approx. Dimensions (Inches)			Approx. Weight (Lbs.)	Mtg Type W - Wall F - Floor	Wiring Diagram (Pages 243 - 258)
			Width	Depth	Height			
0.05	C1FC05HR	NQ0	3.69	5.06	7.19	7	W	SCD42
0.10	C1FC10HR	NQ0	3.69	5.06	7.19	8	W	SCD42
0.15	C1FC15HR	NQ0	3.69	5.06	7.19	11	W	SCD42
0.25	C1FC25HR	NQ1	4.31	5.56	7.19	12	W	SCD42
0.35	C1FC35HR	NQ2	5.06	4.56	9.30	15	W	SCD42
0.50	C1FC50HR	NQ2	5.06	4.56	9.30	18	W	SCD42
0.75	C1FC75HRS	NQ3	5.88	5.19	10.56	25	W	SCD42
1	C1F1C0HRS	NQ3	5.88	5.19	10.56	31	W	SCD42
1.5	C1F1C5HRS	NQ4	7.06	6.25	11.75	39	W	SCD42
2	C1F002HRS	NQ4	7.06	6.25	11.75	54	W	SCD42
3	C1F003HRS	NQ5	10.00	7.75	17.25	80	W	SCD43
5	C1F005HRS	NQ5	10.00	7.75	17.25	156	W	SCD43
7.5	C1F007HRS	NQ6	12.25	9.25	20.88	188	W	SCD43
10	C1F010HRS	NQ6	12.25	9.25	20.88	179	W	SCD43



## ALUMINUM WOUND SINGLE PHASE, TYPE 3R ENCLOSURE



347/380 Primary Volts **CE** 120/240 Secondary Volts

50/60 Hz

kVA	Catalog Number	Case Style (Pages 228 - 230)	Approx. Dimensions (Inches)			Approx. Weight (Lbs.)	Mtg Type W - Wall F - Floor	Wiring Diagram (Pages 243 - 258)
			Width	Depth	Height			
0.05	C1FC05JE	NQ0	3.69	5.06	7.19	7	W	SCD33
0.10	C1FC10JE	NQ0	3.69	5.06	7.19	7	W	SCD33
0.15	C1FC15JE	NQ0	3.69	5.06	7.19	8	W	SCD33
0.25	C1FC25JE	NQ0	3.69	5.06	7.19	9	W	SCD33
0.35	C1FC35JE	NQ1	4.31	5.56	7.19	14	W	SCD33
0.50	C1FC50JE	NQ1	4.31	5.56	7.19	14	W	SCD33
0.75	C1FC75JES	NQ2	5.06	4.56	9.30	23	W	SCD33
1	C1F1C0JES	NQ3	5.88	5.19	10.56	32	W	SCD33
1.5	C1F1C5JES	NQ3	5.88	5.19	10.56	35	W	SCD33
2	C1F002JES	NQ4	7.06	6.25	11.75	51	W	SCD33
3	C1F003JES	NQ5	10.00	7.75	17.25	98	W	SCD44
5	C1F005JES	NQ5	10.00	7.75	17.25	120	W	SCD44
7.5	C1F007JES	NQ6A	12.25	9.25	17.63	162	W	SCD44
10	C1F010JES	NQ6	12.25	9.25	20.88	194	W	SCD44

600 Primary Volts 120/240 Secondary Volts

60 Hz

kVA	Catalog Number	Case Style (Pages 228 - 230)	Approx. Dimensions (Inches)			Approx. Weight (Lbs.)	Mtg Type W - Wall F - Floor	Wiring Diagram (Pages 243 - 258)
			Width	Depth	Height			
0.05	C1FC05PE	NQ0	3.69	5.06	7.19	7	W	SCD4
0.10	C1FC10PE	NQ0	3.69	5.06	7.19	7	W	SCD4
0.15	C1FC15PE	NQ0	3.69	5.06	7.19	8	W	SCD4
0.25	C1FC25PE	NQ0	3.69	5.06	7.19	9	W	SCD4
0.35	C1FC35PE	NQ1	4.31	5.56	7.19	15	W	SCD4
0.50	C1FC50PE	NQ1	4.31	5.56	7.19	16	W	SCD4
0.75	C1FC75PES	NQ2	5.06	4.56	9.30	23	W	SCD4
1	C1F1C0PES	NQ3	5.88	5.19	10.56	24	W	SCD4
1.5	C1F1C5PES	NQ3	5.88	5.19	10.56	33	W	SCD4
2	C1F002PES	NQ4	7.06	6.25	11.75	42	W	SCD4
3	C1F003PES	NQ4	7.06	6.25	11.75	55	W	SCD4
5	C1F005PES	NQ5	10.00	7.75	17.25	120	W	SCD4
7.5	C1F007PES	NQ6A	12.25	9.25	17.63	148	W	SCD5
10	C1F010PES	NQ6	12.25	9.25	20.88	179	W	SCD5
15	C1F015PES	NQ7	14.50	10.75	21.38	265	W	SCD5
25	C1F025PES	NQ8	14.50	10.75	27.38	385	W	SCD5
37.5	C1F037PES	NQS10	21.88	18.50	31.00	598	F or W*	SCD5

\*OPTIONAL WALL MOUNTING KIT REQUIRED. REFER TO PAGE 240 FOR DETAILS.

### Export Model



190/200/208/220/240<sup>1</sup> X 380/400/416/440/480<sup>1</sup> Primary Volts 120/240 Secondary Volts 50/60 Hz

kVA	Catalog Number	Case Style (Pages 228 - 230)	Approx. Dimensions (Inches)			Approx. Weight (Lbs.)	Mtg Type W - Wall F - Floor	Wiring Diagram (Pages 243 - 258)
			Width	Depth	Height			
0.05	C1FC05XE	NQ0	3.69	5.06	7.19	7	W	SCD28
0.10	C1FC10XE	NQ0	3.69	5.06	7.19	7	W	SCD28
0.15	C1FC15XE	NQ0	3.69	5.06	7.19	9	W	SCD28
0.25	C1FC25XE	NQ0	3.69	5.06	7.19	10	W	SCD28
0.35	C1FC35XE	NQ1	4.31	5.56	7.19	15	W	SCD28
0.50	C1FC50XE	NQ1	4.31	5.56	7.19	16	W	SCD28
0.75	C1FC75XES	NQ2	5.06	4.56	9.30	24	W	SCD28
1	C1F1C0XES	NQ3	5.88	5.19	10.56	32	W	SCD28
1.5	C1F1C5XES	NQ4	7.06	6.25	11.75	37	W	SCD28
2	C1F002XES	NQ4	7.06	6.25	11.75	52	W	SCD28
3	C1F003XES	NQ5	10.00	7.75	17.25	97	W	SCD2
5	C1F005XES	NQ5	10.00	7.75	17.25	120	W	SCD2
7.5	C1F007XES	NQ6A	12.25	9.25	17.63	148	W	SCD2
10	C1F010XES	NQ6	12.25	9.25	20.88	179	W	SCD2

Note <sup>1</sup>: The primary voltage ratio of 240 or 480 is available at 60Hz only with a secondary voltage of approximately 130/262V.



## HPS FORTRESS™

### COMMERCIAL ENCAPSULATED DISTRIBUTION TRANSFORMERS THREE PHASE STANDARD SPECIFICATIONS - ALUMINUM WOUND

2 TO 3 KVA



6 TO 75 KVA



	2 kVA to 3 kVA	6 kVA to 75 kVA
<b>UL Listed</b>	File: E50394	File: E50394
<b>CSA Certified</b>	File: LR3902	File: LR3902
<b>Frequency</b>	60 Hz (50/60 Hz)	60 Hz (50/60 Hz)
<b>Insulation System</b>	130°C (80°C rise) standard on all units.	180°C (115°C rise) standard on all units.
<b>Electrostatic Shield</b>	Standard on all units.	Standard on all units.
<b>Encapsulation</b>	All units are encapsulated with electrical grade silica sand and resin compounds.	All units are encapsulated with electrical grade silica sand and resin compounds.
<b>Enclosure Type</b>	Type 3R	Type 3R
<b>Enclosure Finish</b>	ANSI 61 Grey, UL50	ANSI 61 Grey, UL50
<b>Termination</b>	Top accessible separate high and low voltage lead wires or copper tabs.	Top accessible separate high and low voltage lead wires or copper tabs.
<b>Conduit Knock-Outs</b>	Standard side and rear knock-outs on all units (no knock-outs on Stainless Steel enclosures).	Standard side and rear knock-outs on all units (no knock-outs on Stainless Steel enclosures).
<b>Impedance</b>	Typically 4 to 8%	Typically 1 to 5%.
<b>Mounting</b>	Standard Wall Mounting Lifting provisions standard on all units.	Standard Wall Mounting up to (but not including) 15 kVA (optional wall mounting kit available for 15 kVA, 30 kVA and 45 kVA). Floor mount only over 45 kVA. Lifting provisions standard 6 kVA to 75 kVA.
<b>Sound Level</b>	Meets NEMA ST-20 standards.	Meets NEMA ST-20 standards.

Other voltages and kVA ratings not listed in this section are available upon request. Please contact customer service for details, price and availability.



# SECTION 8

# COMMERCIAL ENCAPSULATED

## ALUMINUM WOUND THREE PHASE, TYPE 3R ENCLOSURE



208 Primary Volts

208Y/120 Secondary Volts

60 Hz

kVA	Catalog Number	Case Style (Pages 228 - 230)	Approx. Dimensions (Inches)			Approx. Weight (Lbs.)	Mtg Type W - Wall F - Floor	Wiring Diagram (Pages 243 - 258)
			Width	Depth	Height			
2	C3F002BBS	NQT3	12.38	5.44	11.13	50	W	SCD8
3	C3F003BBS	NQT3	12.38	5.44	11.13	70	W	SCD8
6	C3F006BBS	NQT5	16.63	10.25	16.63	140	W	SCD8
9	C3F009BBS	NQT6	19.25	10.44	16.63	210	W	SCD8
15	C3F015BBS	NQT7	20.25	13.00	23.38	350	F or W*	SCD8
30	C3F030BBS	NQT8	22.25	13.00	28.38	525	F or W*	SCD9
45	C3F045BBS	NQT9	31.50	16.00	29.88	700	F or W*	SCD9
75	C3F075BBS	NQT9A	34.63	18.50	36.75	1420	F	SCD9

\*OPTIONAL WALL MOUNTING KIT REQUIRED. REFER TO PAGE 240 FOR DETAILS.

208 Primary Volts

480Y/277 Secondary Volts

60 Hz

kVA	Catalog Number	Case Style (Pages 228 - 230)	Approx. Dimensions (Inches)			Approx. Weight (Lbs.)	Mtg Type W - Wall F - Floor	Wiring Diagram (Pages 243 - 258)
			Width	Depth	Height			
2	C3F002BKS	NQT3	12.38	5.44	11.13	50	W	SCD23
3	C3F003BKS	NQT3	12.38	5.44	11.13	70	W	SCD23
6	C3F006BKS	NQT5	16.63	10.25	16.63	140	W	SCD23
9	C3F009BKS	NQT6	19.25	10.44	16.63	210	W	SCD23
15	C3F015BKS	NQT7	20.25	13.00	23.38	350	F or W*	SCD23
30	C3F030BKS	NQT8	22.25	13.00	28.38	525	F or W*	SCD26
45	C3F045BKS	NQT9	31.50	16.00	29.88	700	F or W*	SCD26
75	C3F075BKS	NQT9A	34.63	18.50	36.75	1420	F	SCD26

\*OPTIONAL WALL MOUNTING KIT REQUIRED. REFER TO PAGE 240 FOR DETAILS.

240 Primary Volts

208Y/120 Secondary Volts

60 Hz

kVA	Catalog Number	Case Style (Pages 228 - 230)	Approx. Dimensions (Inches)			Approx. Weight (Lbs.)	Mtg Type W - Wall F - Floor	Wiring Diagram (Pages 243 - 258)
			Width	Depth	Height			
2	C3F002DBS	NQT3	12.38	5.44	11.13	50	W	SCD8
3	C3F003DBS	NQT3	12.38	5.44	11.13	70	W	SCD8
6	C3F006DBS	NQT5	16.63	10.25	16.63	140	W	SCD8
9	C3F009DBS	NQT6	19.25	10.44	16.63	210	W	SCD8
15	C3F015DBS	NQT7	20.25	13.00	23.38	350	F or W*	SCD8
30	C3F030DBS	NQT8	22.25	13.00	28.38	525	F or W*	SCD9
45	C3F045DBS	NQT9	31.50	16.00	29.88	700	F or W*	SCD9
75	C3F075DBS	NQT9A	34.63	18.50	36.75	1420	F	SCD9

\*OPTIONAL WALL MOUNTING KIT REQUIRED. REFER TO PAGE 240 FOR DETAILS.

240 Primary Volts

480Y/277 Secondary Volts

60 Hz

kVA	Catalog Number	Case Style (Pages 228 - 230)	Approx. Dimensions (Inches)			Approx. Weight (Lbs.)	Mtg Type W - Wall F - Floor	Wiring Diagram (Pages 243 - 258)
			Width	Depth	Height			
2	C3F002DKS	NQT3	12.38	5.44	11.13	50	W	SCD23
3	C3F003DKS	NQT3	12.38	5.44	11.13	70	W	SCD23
6	C3F006DKS	NQT5	16.63	10.25	16.63	140	W	SCD23
9	C3F009DKS	NQT6	19.25	10.44	16.63	210	W	SCD23
15	C3F015DKS	NQT7	20.25	13.00	23.38	350	F or W*	SCD23
30	C3F030DKS	NQT8	22.25	13.00	28.38	525	F or W*	SCD26
45	C3F045DKS	NQT9	31.50	16.00	29.88	700	F or W*	SCD26
75	C3F075DKS	NQT9A	34.63	18.50	36.75	1420	F	SCD26

\*OPTIONAL WALL MOUNTING KIT REQUIRED. REFER TO PAGE 240 FOR DETAILS.



## ALUMINUM WOUND THREE PHASE, TYPE 3R ENCLOSURE



480 Primary Volts

208Y/120 Secondary Volts

60 Hz

kVA	Catalog Number	Case Style (Pages 228 - 230)	Approx. Dimensions (Inches)			Approx. Weight (Lbs.)	Mtg Type W - Wall F - Floor	Wiring Diagram (Pages 243 - 258)
			Width	Depth	Height			
2	C3F002KBS	NQT3	12.38	5.44	11.13	50	W	SCD8
3	C3F003KBS	NQT3	12.38	5.44	11.13	70	W	SCD8
6	C3F006KBS	NQT5	16.63	10.25	16.63	140	W	SCD8
9	C3F009KBS	NQT6	19.25	10.44	16.63	210	W	SCD8
15	C3F015KBS	NQT7	20.25	13.00	23.38	350	F or W*	SCD8
30	C3F030KBS	NQT8	22.25	13.00	28.38	525	F or W*	SCD9
45	C3F045KBS	NQT9	31.50	16.00	29.88	700	F or W*	SCD9
75	C3F075KBS	NQT9A	34.63	18.50	36.75	1420	F	SCD9

\*OPTIONAL WALL MOUNTING KIT REQUIRED.  
REFER TO PAGE 240 FOR DETAILS.

480 Primary Volts

240D Secondary Volts

60 Hz

kVA	Catalog Number	Case Style (Pages 228 - 230)	Approx. Dimensions (Inches)			Approx. Weight (Lbs.)	Mtg Type W - Wall F - Floor	Wiring Diagram (Pages 243 - 258)
			Width	Depth	Height			
2	C3F002KDS	NQT3	12.38	5.44	11.13	50	W	SCD12
3	C3F003KDS	NQT3	12.38	5.44	11.13	70	W	SCD12
6	C3F006KDS	NQT5	16.63	10.25	16.63	140	W	SCD12
9	C3F009KDS	NQT6	19.25	10.44	16.63	210	W	SCD12
15	C3F015KDS	NQT7	20.25	13.00	23.38	350	F or W*	SCD12
30	C3F030KDS	NQT8	22.25	13.00	28.38	525	F or W*	SCD38
45	C3F045KDS	NQT9	31.50	16.00	29.88	700	F or W*	SCD38
75	C3F075KDS	NQT9A	34.63	18.50	36.75	1420	F	SCD38

\*OPTIONAL WALL MOUNTING KIT REQUIRED.  
REFER TO PAGE 240 FOR DETAILS.

600 Primary Volts

208Y/120 Secondary Volts

60 Hz

kVA	Catalog Number	Case Style (Pages 228 - 230)	Approx. Dimensions (Inches)			Approx. Weight (Lbs.)	Mtg Type W - Wall F - Floor	Wiring Diagram (Pages 243 - 258)
			Width	Depth	Height			
2	C3F002PBS	NQT3	12.38	5.44	11.13	50	W	SCD8
3	C3F003PBS	NQT3	12.38	5.44	11.13	70	W	SCD8
6	C3F006PBS	NQT5	16.63	10.25	16.63	140	W	SCD8
9	C3F009PBS	NQT6	19.25	10.44	16.63	210	W	SCD8
15	C3F015PBS	NQT7	20.25	13.00	23.38	350	F or W*	SCD8
30	C3F030PBS	NQT8	22.25	13.00	28.38	525	F or W*	SCD9
45	C3F045PBS	NQT9	31.50	16.00	29.88	700	F or W*	SCD9
75	C3F075PBS	NQT9A	34.63	18.50	36.75	1420	F	SCD9

\*OPTIONAL WALL MOUNTING KIT REQUIRED.  
REFER TO PAGE 240 FOR DETAILS.

600 Primary Volts

240D Secondary Volts

60 Hz

kVA	Catalog Number	Case Style (Pages 228 - 230)	Approx. Dimensions (Inches)			Approx. Weight (Lbs.)	Mtg Type W - Wall F - Floor	Wiring Diagram (Pages 243 - 258)
			Width	Depth	Height			
2	C3F002PDS	NQT3	12.38	5.44	11.13	50	W	SCD12
3	C3F003PDS	NQT3	12.38	5.44	11.13	70	W	SCD12
6	C3F006PDS	NQT5	16.63	10.25	16.63	140	W	SCD12
9	C3F009PDS	NQT6	19.25	10.44	16.63	210	W	SCD12
15	C3F015PDS	NQT7	20.25	13.00	23.38	350	F or W*	SCD12
30	C3F030PDS	NQT8	22.25	13.00	28.38	525	F or W*	SCD45
45	C3F045PDS	NQT9	31.50	16.00	29.88	700	F or W*	SCD45
75	C3F075PDS	NQT9A	34.63	18.50	36.75	1420	F	SCD45

\*OPTIONAL WALL MOUNTING KIT REQUIRED.  
REFER TO PAGE 240 FOR DETAILS.



## HPS Titan® Applications

The HPS Titan® line of transformers have been designed for installation in harsh environments where efficiency and performance are key. Typical applications include institutional, commercial, industrial, petrochemical, marine, mining, etc. HPS Titan® designs provide:

- **Superior Performance**
- **Compact Efficient Design**
- **Easy Installation and Hook-up**

HHPS Titan® Series transformers are UL Listed for "Class 1, Division 2, Groups A, B, C, D and Class I, Zone 2 Group IIC, T3C Hazardous Locations" and also meet ABS Type Approval for "Marine Duty Service and Offshore Applications - Electrical Distribution and Propulsion". With a North American Temperature Classification of T3C/T3A, the HPS Titan Series will remain cool under load.



## HPS Titan® Features and Benefits

Features	Single Phase	Three Phase
<b>Voltage Groups</b>	5 standard voltage groups	5 standard voltage groups
<b>Ratings</b>	0.5 kVA to 37.5 kVA	2 kVA to 150 kVA
<b>Frequency</b>	60 Hz (50/60 Hz on units with 380V primary)	60 Hz (50/60 Hz on units with 380V primary)
<b>Electrostatic Shield</b>	Optional on 0.50 kVA Standard on 0.75 kVA to 37.5 kVA	Standard on all units
<b>Encapsulated</b>	All units are encapsulated with electrical grade silica sand and resin compounds	
<b>Enclosure</b>	Heavy duty type 3R Optional type 4, 4X (stainless steel) and 12	Heavy duty type 3R Optional type 4, 4X (stainless steel) and 12 Optional gasket kit
<b>Terminations</b>	Front accessible separated high and low voltage lead wires or copper tabs	Top accessible separate high and low voltage lead wires or copper tabs
<b>Insulation System</b>	130°C (80°C rise) up to 1 kVA - standard 180°C (115°C rise) 1.5 kVA to 37.5 kVA - standard 180°C (80°C rise) 1.5 kVA to 37.5 kVA - optional	130°C (80°C rise) up to 5 kVA - standard 180°C (115°C rise) 6 kVA to 150 kVA - standard 180°C (80°C rise) 6 kVA to 150 kVA - optional
<b>Mounting</b>	Standard wall mounting with keyhole mounting slots. Lifting provisions standard from 5 kVA to 37.5 kVA.	Standard wall mounting with keyhole mounting slots 2 kVA to 15 kVA (Optional wall mounting kit available for 30 kVA and 45 kVA). Floor Mounted 25 kVA to 150 kVA. Lifting provisions standard on 6 kVA to 150 kVA.
<b>Conduit Knockouts</b>	For rear and side entry into an easily accessible and spacious wiring compartment (no knock-outs on Stainless Steel enclosures).	
<b>Approvals</b>	ANSI/ISA 12.12.10 - File No. E258346 (Class 1, Division 2, Groups A, B, C, D and Class I, Zone 2, Group IIC, T3 Hazardous Locations) T3C Temperature Classification for 80°C rise units T3A Temperature Classification for 115°C rise units UL 508 Listed - File No. E258346 UL Certificate No. 14-HS1174640-PDA (Marine Duty Service and Offshore Applications) ABS Type Approval	
<b>Warranty</b>	All HPS standard catalog encapsulated transformers come with a 10 year limited warranty (please refer to the HPS standard Catalog Transformer Products Warranty for full details)	



## HPS TITAN® TRANSFORMERS FOR HARSH ENVIRONMENTS AND HAZARDOUS LOCATIONS

### SINGLE PHASE STANDARD SPECIFICATIONS - COPPER WOUND

#### 0.50 TO 1 KVA



#### 1.5 TO 37.5 KVA



SECTION 8

	0.50 kVA to 1 kVA	1.5 kVA to 37.5 kVA
<b>ANSI/ISA 12.12.10</b>	File No. E258346 (Class 1, Division 2, Groups A, B, C, D and Class I, Zone 2, Group IIC, T3 Hazardous Locations) - T3C Temperature Classification	File No. E258346 (Class 1, Division 2, Groups A, B, C, D and Class I, Zone 2, Group IIC, T3 Hazardous Locations) - T3C/T3A Temperature Classification
<b>ABS Type Approval (RQS)</b>	Certificate No.: 14-HS1174640-PDA	Certificate No.: 14-HS1174640-PDA
<b>North American Temperature Classification</b>	T3C Approval	T3C Approval for 80°C rise units T3A Approval for 115°C rise units
<b>Frequency</b>	60 Hz (50/60 Hz on units with 380V primary)	60 Hz (50/60 Hz on units with 380V primary)
<b>Insulation System</b>	130°C (80°C rise) standard on all units.	180°C (115°C rise) standard on all units. Optional 180°C (80°C rise) available.
<b>Electrostatic Shield</b>	Optional on 0.50 kVA. Standard on 0.75 kVA and 1 kVA.	Standard on all units.
<b>Encapsulation</b>	All units are encapsulated with electrical grade silica sand and resin compounds.	All units are encapsulated with electrical grade silica sand and resin compounds.
<b>Enclosure Type</b>	Heavy duty type 3R Optional type 4, 4X (stainless steel) and 12	Heavy duty type 3R Optional type 4, 4X (stainless steel) and 12
<b>Enclosure Finish</b>	ANSI 61 Grey, UL50	ANSI 61 Grey, UL50
<b>Termination</b>	Front accessible separate high and low voltage lead wires or copper tabs.	Front accessible separate high and low voltage lead wires or copper tabs.
<b>Conduit Knock-Outs</b>	Standard side and rear knock-outs on all units (no knock-outs on Stainless Steel enclosures).	Standard side and rear knock-outs on all units (no knock-outs on Stainless Steel enclosures).
<b>Impedance</b>	Typically 5 to 10% on 0.50 kVA. Typically 1 to 5% on 0.75 kVA and 1 kVA	Typically 1 to 5%.
<b>Mounting</b>	Standard Wall Mounting Lifting provisions standard on all units.	Standard Wall Mounting Lifting provisions standard on units.
<b>Seismic</b>	Seismically certified in accordance with IBC 2009; Section 1613 Earthquake Loads, for $S_{DS} \leq 2.00g$ , $z/h = 1.0$ , and $I_p = 1.5$	Seismically certified in accordance with IBC 2009; Section 1613 Earthquake Loads, for $S_{DS} \leq 2.00g$ , $z/h = 1.0$ , and $I_p = 1.5$
<b>Sound Level</b>	Meets NEMA ST-20 standards. (Optional low noise units available on request)	Meets NEMA ST-20 standards. (Optional low noise units available on request)

Other voltages and kVA ratings not listed in this section are available upon request. Please contact customer service for details, price and availability.

All HPS TITAN single phase transformers are UL Listed for "Class 1, Division 2, Groups A, B, C, D and Class I, Zone 2, Group IIC, T3 Hazardous Locations" and are ABS Type Approved for "Marine Duty Service and Offshore Applications - Electrical Distribution and Propulsion".



## COPPER WOUND SINGLE PHASE, TYPE 3R ENCLOSURE



208/240/277 Primary Volts

120/240 Secondary Volts

60 Hz

kVA	Catalog Number	Case Style (Pages 228 - 230)	Approx. Dimensions (Inches)			Approx. Weight (Lbs.)	Mtg Type W - Wall F - Floor	Wiring Diagram (Pages 243 - 258)
			Width	Depth	Height			
0.50	QC50YECB	NQ2	5.06	4.56	9.30	19	W	SCD 18
0.75	QC75YEKB	NQ2	5.06	4.56	9.30	21	W	SCD 18
1	Q1C0YEKB	NQ3	5.88	5.19	10.56	28	W	SCD 18
1.5	Q1C5YEKF	NQ3	5.88	5.19	10.56	36	W	SCD 18
2	Q002YEKF	NQ4	7.06	6.25	11.75	44	W	SCD 18
3	Q003YEKF	NQ4	7.06	6.25	11.75	56	W	SCD 18
5	Q005YEKF	NQ5	10.00	7.75	17.25	134	W	SCD 6
7.5	Q007YEKF	NQ5	10.00	7.75	17.25	160	W	SCD 6
10	Q010YEKF	NQ6	12.25	9.25	20.88	204	W	SCD 6
15	Q015YEKF	NQ6	12.25	9.25	20.88	248	W	SCD 6
25	Q025YEKF	NQ7	14.50	10.75	21.38	345	W	SCD 6
37.5	Q037YEKF	NQ8	14.50	10.75	27.38	476	W	SCD 6

For shielded 0.50 kVA units, replace the suffix "CB" with a "KB".

Note: 80°C rise units are T3C; 115°C rise units are T3A

Units ending with letter "B" are 80°C rise

Units ending with letter "F" are 115°C rise; 80°C rise optional replace suffix "F" with "B"

347/380 Primary Volts



120/240 Secondary Volts

50/60 Hz

kVA	Catalog Number	Case Style (Pages 228 - 230)	Approx. Dimensions (Inches)			Approx. Weight (Lbs.)	Mtg Type W - Wall F - Floor	Wiring Diagram (Pages 243 - 258)
			Width	Depth	Height			
0.50	QC50FECB	NQ2	5.06	4.56	9.30	18	W	SCD 33
0.75	QC75FEKB	NQ2	5.06	4.56	9.30	20	W	SCD 33
1	Q1C0FEKB	NQ3	5.88	5.19	10.56	26	W	SCD 33
1.5	Q1C5FEKF	NQ3	5.88	5.19	10.56	36	W	SCD 33
2	Q002FEKF	NQ4	7.06	6.25	11.75	55	W	SCD 33
3	Q003FEKF	NQ5	10.00	7.75	17.25	98	W	SCD 44
5	Q005FEKF	NQ5	10.00	7.75	17.25	130	W	SCD 44
7.5	Q007FEKF	NQ6	12.25	9.25	20.88	185	W	SCD 44
10	Q010FEKF	NQ6	12.25	9.25	20.88	155	W	SCD 44
15	Q015FEKF	NQ6	12.25	9.25	20.88	248	W	SCD 44
25	Q025FEKF	NQ7	14.50	10.75	21.38	345	W	SCD 44
37.5	Q037FEKF	NQ8	14.50	10.75	27.38	476	W	SCD 48

For shielded 0.50 kVA units, replace the suffix "CB" with a "KB".

Note: 80°C rise units are T3C; 115°C rise units are T3A

Units ending with letter "B" are 80°C rise

Units ending with letter "F" are 115°C rise; 80°C rise optional replace suffix "F" with "B"

240 X 480 Primary Volts

120/240 Secondary Volts

60 Hz

kVA	Catalog Number	Case Style (Pages 228 - 230)	Approx. Dimensions (Inches)			Approx. Weight (Lbs.)	Mtg Type W - Wall F - Floor	Wiring Diagram (Pages 243 - 258)
			Width	Depth	Height			
0.50	QC50LECB	NQ2	5.06	4.56	9.30	23	W	SCD 1
0.75	QC75LEKB	NQ2	5.06	4.56	9.30	24	W	SCD 1
1	Q1C0LEKB	NQ3	5.88	5.19	10.56	28	W	SCD 1
1.5	Q1C5LEKF	NQ3	5.88	5.19	10.56	35	W	SCD 1
2	Q002LEKF	NQ4	7.06	6.25	11.75	47	W	SCD 1
3	Q003LEKF	NQ4	10.00	7.75	17.25	62	W	SCD 1
5	Q005LEKF	NQ5	10.00	7.75	17.25	131	W	SCD 1
7.5	Q007LEKF	NQ5	10.00	7.75	17.25	155	W	SCD 2
10	Q010LEKF	NQ6	12.25	9.25	20.88	220	W	SCD 2
15	Q015LEKF	NQ6	12.25	9.25	20.88	248	W	SCD 2
25	Q025LEKF	NQ7	14.50	10.75	21.38	345	W	SCD 2
37.5	Q037LEKF	NQ8	14.50	10.75	27.38	476	W	SCD 2

For shielded 0.50 kVA units, replace the suffix "CB" with a "KB".

Note: 80°C rise units are T3C; 115°C rise units are T3A

Units ending with letter "B" are 80°C rise

Units ending with letter "F" are 115°C rise; 80°C rise optional replace suffix "F" with "B"





600 Primary Volts

120/240 Secondary Volts

60 Hz

kVA	Catalog Number	Case Style (Pages 228 - 230)	Approx. Dimensions (Inches)			Approx. Weight (Lbs.)	Mtg Type W - Wall F - Floor	Wiring Diagram (Pages 243 - 258)
			Width	Depth	Height			
0.50	QC50PECB	NQ2	5.06	4.56	9.30	15	W	SCD 4
0.75	QC75PEKB	NQ2	5.06	4.56	9.30	18	W	SCD 4
1	Q1C0PEKB	NQ3	5.88	5.19	10.56	27	W	SCD 4
1.5	Q1C5PEKF	NQ3	5.88	5.19	10.56	31	W	SCD 4
2	Q002PEKF	NQ4	7.06	6.25	11.75	40	W	SCD 4
3	Q003PEKF	NQ4	7.06	6.25	11.75	52	W	SCD 4
5	Q005PEKF	NQ5	10.00	7.75	17.25	114	W	SCD 4
7.5	Q007PEKF	NQ5	10.00	7.75	17.25	129	W	SCD 5
10	Q010PEKF	NQ6	12.25	9.25	20.88	197	W	SCD 5
15	Q015PEKF	NQ6	12.25	9.25	20.88	234	W	SCD 5
25	Q025PEKF	NQ7	14.50	10.75	21.38	285	W	SCD 6
37.5	Q037PEKF	NQ8	14.50	10.75	27.38	454	W	SCD 6

For shielded 0.50 kVA units, replace the suffix "CB" with a "KB".

Units ending with letter "B" are 80°C rise

Units ending with letter "F" are 115°C rise; 80°C rise optional replace suffix "F" with "B"

Note: 80°C rise units are T3C; 115°C rise units are T3A

Export Model **CE**

190/200/208/220/240<sup>1</sup> X 380/400/415/440/480<sup>1</sup> Primary Volts 120/240 Secondary Volts 50/60 Hz

kVA	Catalog Number	Case Style (Pages 228 - 230)	Approx. Dimensions (Inches)			Approx. Weight (Lbs.)	Mtg Type W - Wall F - Floor	Wiring Diagram (Pages 243 - 258)
			Width	Depth	Height			
0.50	QC50XEKB	NQ2	5.06	4.56	9.30	15	W	SCD 28
0.75	QC75XEKB	NQ2	5.06	4.56	9.30	20	W	SCD 28
1	Q1C0XEKB	NQ3	5.88	5.19	10.56	32	W	SCD 28
1.5	Q1C5XEKF	NQ3	5.88	5.19	10.56	35	W	SCD 28
2	Q002XEKF	NQ4	7.06	6.25	11.75	54	W	SCD 28
3	Q003XEKF	NQ5	10.00	7.75	17.25	105	W	SCD 2
5	Q005XEKF	NQ5	10.00	7.75	17.25	138	W	SCD 2
7.5	Q007XEKF	NQ6	12.25	9.25	20.88	189	W	SCD 2
10	Q010XEKF	NQ6	12.25	9.25	20.88	222	W	SCD 2
15	Q015XEKF	NQ7	14.5	10.75	21.38	300	W	SCD 2
25	Q025XEKF							
37.5	Q037XEKF							

For shielded 0.50 kVA units, replace the suffix "CB" with a "KB".

Units ending with letter "B" are 80°C rise

Units ending with letter "F" are 115°C rise; 80°C rise optional replace suffix "F" with "B"

The above export model units carry the CE Mark.

Note: 80°C rise units are T3C; 115°C rise units are T3A

Note <sup>1</sup>: The primary voltage ratio of 240 or 480 is available at 60Hz only with a secondary voltage of approximately 130/262V.



## HPS TITAN TRANSFORMERS FOR HARSH ENVIRONMENTS AND HAZARDOUS LOCATIONS

THREE PHASE\* STANDARD SPECIFICATIONS - COPPER WOUND



\*HPS Titan (three phase only) will become obsolete by mid 2019 and is replaced by **HPS Titan N**. Please visit the HPS website for more information on HPS Titan N.

**2 TO 15 KVA**



**30 TO 150 KVA**



	<b>2 kVA to 5 kVA</b>	<b>6 kVA to 150 kVA</b>
<b>ANSI/ISA 12.12.10</b>	File No. E258346 (Class 1, Division 2, Groups A, B, C, D and Class I, Zone 2, Group IIC, T3 Hazardous Locations) - T3C Temperature Classification	File No. E258346 (Class 1, Division 2, Groups A, B, C, D and Class I, Zone 2, Group IIC, T3 Hazardous Locations) - T3C/T3A Temperature Classification
<b>ABS Type Approval (RQS)</b>	Certificate No.: 14-HS1174640-PDA	Certificate No.: 14-HS1174640-PDA
<b>North American Temperature Classification</b>	T3C Approval	T3C Approval for 80°C rise units T3A Approval for 115°C rise units
<b>Frequency</b>	60 Hz (50/60 Hz on units with 380V primary)	60 Hz (50/60 Hz on units with 380V primary)
<b>Insulation System</b>	130°C (80°C rise) standard on all units.	180°C (115°C rise) standard on all units. Optional 180°C (80°C rise) available.
<b>Electrostatic Shield</b>	Standard on all units.	Standard on all units.
<b>Encapsulation</b>	All units are encapsulated with electrical grade silica sand and resin compounds.	All units are encapsulated with electrical grade silica sand and resin compounds.
<b>Enclosure Type</b>	Heavy duty type 3R Optional type 4, 4X (stainless steel) and 12	Heavy duty type 3R Optional type 4, 4X (stainless steel) and 12
<b>Enclosure Finish</b>	ANSI 61 Grey, UL50	ANSI 61 Grey, UL50
<b>Termination</b>	Top accessible separate high and low voltage lead wires or copper tabs.	Top accessible separate high and low voltage lead wires or copper tabs.
<b>Conduit Knock-Outs</b>	Standard side and rear knock-outs on all units (no knock-outs on Stainless Steel enclosures).	Standard side and rear knock-outs on all units (no knock-outs on Stainless Steel enclosures).
<b>Impedance</b>	Typically 1 to 5%.	Typically 1 to 5%.
<b>Mounting</b>	Standard Wall Mounting.	Standard Wall Mounting up to 15 kVA (Optional wall mounting kit available for 30 kVA and 45 kVA). Floor Mount only over 45 kVA. Lifting provisions standard 6 kVA to 150 kVA.
<b>Seismic</b>	Seismically certified in accordance with IBC 2009; Section 1613 Earthquake Loads, for $S_{DS} \leq 2.00g$ , $z/h = 1.0$ , and $I_p = 1.5$	Seismically certified in accordance with IBC 2009; Section 1613 Earthquake Loads, for $S_{DS} \leq 2.00g$ , $z/h = 1.0$ , and $I_p = 1.5$
<b>Sound Level</b>	Meets NEMA ST-20 standards. (Optional low noise units available on request)	Meets NEMA ST-20 standards. (Optional low noise units available on request)

Other voltages and kVA ratings not listed in this section are available upon request. Please contact customer service for details, price and availability.

All HPS Titan three phase transformers are UL Listed for "Class 1, Division 2, Groups A, B, C, D and Class I, Zone 2, Group IIC, T3 Hazardous Locations" and are ABS Type Approved for "Marine Duty Service and Offshore Applications - Electrical Distribution and Propulsion".





## COPPER WOUND THREE PHASE, 3R ENCLOSURE

480 Delta Primary Volts

208Y/120 Secondary Volts

60 Hz

kVA	Catalog Number	Case Style (Pages 228 - 230)	Approx. Dimensions (Inches)			Approx. Weight (Lbs.)	Mtg Type W - Wall F - Floor	Wiring Diagram (Pages 243 - 258)
			Width	Depth	Height			
2	P002KBKB	NQT3	12.38	5.44	12.39	49	W	SCD 8
3	P003KBKB	NQT3	12.38	5.44	12.39	86	W	SCD 8
6	P006KBKF	NQT4	15.19	6.94	16.39	160	W	SCD 8
9	P009KBKF	NQT5	16.63	10.25	17.89	262	W	SCD 8
15	P015KBKF	NQT6	19.25	10.44	17.89	304	W	SCD 7
30	P030KBKF	NQT7	20.25	13.00	23.38	478	F or W*	SCD 19
45	P045KBKF	NQT8	22.25	13.00	28.38	642	F or W*	SCD 19
75	P075KBKF	NQT9	31.25	16.00	29.88	1450	F	SCD 19
112.5	P112KBKF	NQT10	38.44	26.00	39.13	2100	F	SCD 19
150	P150KBKF	NQT11	37.38	30.00	45.63	2650	F	SCD 19

Units ending with letter "B" are 80°C rise  
Units ending with letter "F" are 115°C rise; 80°C rise optional replace suffix "F" with "B"

Note: 80°C rise units are T3C; 115°C rise units are T3A

\*OPTIONAL WALL MOUNTING KIT REQUIRED.  
REFER TO PAGE 240 FOR DETAILS.

480 Delta Primary Volts

240 Delta Secondary Volts

60 Hz

kVA	Catalog Number	Case Style (Pages 228 - 230)	Approx. Dimensions (Inches)			Approx. Weight (Lbs.)	Mtg Type W - Wall F - Floor	Wiring Diagram (Pages 243 - 258)
			Width	Depth	Height			
2	P002KDKB	NQT3	12.38	5.44	12.39	52	W	SCD 12
3	P003KDKB	NQT3	12.38	5.44	12.39	68	W	SCD 12
6	P006KDKF	NQT4	15.19	6.94	16.39	182	W	SCD 12
9	P009KDKF	NQT5	16.63	10.25	17.89	250	W	SCD 37
15	P015KDKF	NQT6	19.25	10.44	17.89	312	W	SCD 37
30	P030KDKF	NQT7	20.25	13.00	23.38	540	F or W*	SCD 38
45	P045KDKF	NQT8	22.25	13.00	28.38	650	F or W*	SCD 38
75	P075KDKF	NQT9	31.25	16.00	29.88	1230	F	SCD 38
112.5	P112KDKF	NQT10	38.44	26.00	39.13	2100	F	SCD 38
150	P150KDKF	NQT11	37.38	30.00	45.63	2650	F	SCD 38

Units ending with letter "B" are 80°C rise  
Units ending with letter "F" are 115°C rise; 80°C rise optional replace suffix "F" with "B"

Note: 80°C rise units are T3C; 115°C rise units are T3A

\*OPTIONAL WALL MOUNTING KIT REQUIRED.  
REFER TO PAGE 240 FOR DETAILS.

600 Delta Primary Volts

208Y/120 Secondary Volts

60 Hz

kVA	Catalog Number	Case Style (Pages 228 - 230)	Approx. Dimensions (Inches)			Approx. Weight (Lbs.)	Mtg Type W - Wall F - Floor	Wiring Diagram (Pages 243 - 258)
			Width	Depth	Height			
2	P002PBKB	NQT3	12.38	5.44	12.39	85	W	SCD 8
3	P003PBKB	NQT3	12.38	5.44	12.39	94	W	SCD 8
6	P006PBKF	NQT4	15.19	6.94	16.39	146	W	SCD 8
9	P009PBKF	NQT5	16.63	10.25	17.89	211	W	SCD 9
15	P015PBKF	NQT6	19.25	10.44	17.89	340	W	SCD 9
30	P030PBKF	NQT7	20.25	13.00	23.38	605	F or W*	SCD 9
45	P045PBKF	NQT8	22.25	13.00	28.38	770	F or W*	SCD 9
75	P075PBKF	NQT9	31.25	16.00	29.88	1350	F	SCD 9
112.5	P112PBKF	NQT10	38.44	26.00	39.13	3150	F	SCD 9
150	P150PBKF	NQT11	37.38	30.00	45.63	3200	F	SCD 9

Units ending with letter "B" are 80°C rise  
Units ending with letter "F" are 115°C rise; 80°C rise optional replace suffix "F" with "B"

Note: 80°C rise units are T3C; 115°C rise units are T3A

\*OPTIONAL WALL MOUNTING KIT REQUIRED.  
REFER TO PAGE 240 FOR DETAILS.





## COPPER WOUND THREE PHASE, 3R ENCLOSURE



600 Wye Primary Volts

240 Delta Secondary Volts

60 Hz

kVA	Catalog Number	Case Style (Pages 228 - 230)	Approx. Dimensions (Inches)			Approx. Weight (Lbs.)	Mtg Type W - Wall F - Floor	Wiring Diagram (Pages 243 - 258)
			Width	Depth	Height			
2	P002PDKB	NQT3	12.38	5.44	12.39	51	W	SCD 27
3	P003PDKB	NQT3	12.38	5.44	12.39	68	W	SCD 27
6	P006PDKF	NQT4	15.19	6.94	16.39	146	W	SCD 27
9	P009PDKF	NQT5	16.63	10.25	17.89	211	W	SCD 29
15	P015PDKF	NQT6	19.25	10.44	17.89	270	W	SCD 29
30	P030PDKF	NQT7	20.25	13.00	23.38	515	F or W*	SCD 16
45	P045PDKF	NQT8	22.25	13.00	28.38	740	F or W*	SCD 16
75	P075PDKF	NQT9	31.25	16.00	29.88	CF	F	SCD 16
112.5	P112PDKF	NQT10	38.44	26.00	39.13	CF	F	SCD 16
150	P150PDKF	NQT11	37.38	30.00	45.63	CF	F	SCD 16

Units ending with letter "B" are 80°C rise  
Units ending with letter "F" are 115°C rise; 80°C rise optional replace suffix "F" with "B"

Note: 80°C rise units are T3C; 115°C rise units are T3A

\*OPTIONAL WALL MOUNTING KIT REQUIRED.  
REFER TO PAGE 240 FOR DETAILS.

600, 480 Delta Primary Volts

480Y/277 Secondary Volts

60 Hz

kVA	Catalog Number	Case Style (Pages 228 - 230)	Approx. Dimensions (Inches)			Approx. Weight (Lbs.)	Mtg Type W - Wall F - Floor	Wiring Diagram (Pages 243 - 258)
			Width	Depth	Height			
2	P002QKKB	NQT3	12.38	5.44	12.39	65	W	SCD 20
3	P003QKKB	NQT3	12.38	5.44	12.39	69	W	SCD 20
6	P006QKKF	NQT4	15.19	6.94	16.39	190	W	SCD 20
9	P009QKKF	NQT5	16.63	10.25	17.89	270	W	SCD 47
15	P015QKKF	NQT7	20.25	13.00	23.38	380	F or W*	SCD 47
30	P030QKKF	NQT7	20.25	13.00	23.38	472	F or W*	SCD 11
45	P045QKKF	NQT8	22.25	13.00	28.38	680	F or W*	SCD 11
75	P075QKKF	NQT9	31.25	16.00	29.88	1650	F	SCD 11
112.5	P112QKKF	NQT10	38.44	26.00	39.13	CF	F	<b>Consult Factory</b>
150	P150QKKF	NQT11	37.38	30.00	45.63	CF	F	<b>Consult Factory</b>

Units ending with letter "B" are 80°C rise  
Units ending with letter "F" are 115°C rise; 80°C rise optional replace suffix "F" with "B"

Note: 80°C rise units are T3C; 115°C rise units are T3A

\*OPTIONAL WALL MOUNTING KIT REQUIRED.  
REFER TO PAGE 240 FOR DETAILS.







## **GENERAL INFORMATION**

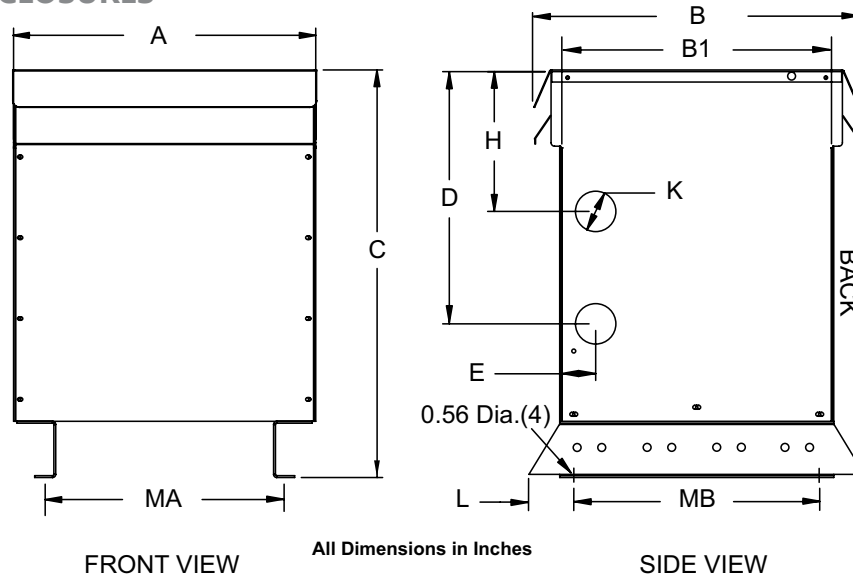
### **Enclosure Drawings, Connection Diagrams, Termination Details, Alpha-Numeric Part Number Index**

<b>Enclosure Dimensional Drawings .....</b>	<b>226</b>
<b>Conduit Size vs. Knockout Size Reference Table .....</b>	<b>230</b>
<b>Accessories - for General Purpose Transformers .....</b>	<b>238</b>
<b>Termination Details .....</b>	<b>242</b>
<b>Electrical Connection Diagrams .....</b>	<b>243</b>
<b>Alpha-Numeric Part Number Index .....</b>	<b>259</b>
<b>HPS Transformer Literature Request Form .....</b>	<b>276</b>

# GENERAL INFORMATION

## TYPE 3R ENCLOSURE DIMENSIONAL DRAWINGS

### 'NH' SERIES ENCLOSURES

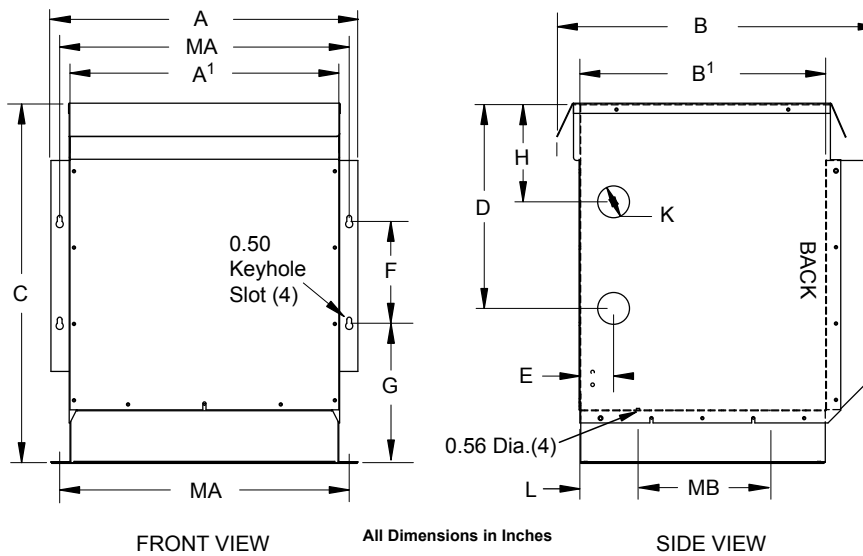


Case Style	Dimensions in Inches										
	A	B	B <sup>1</sup>	C	D	E	H	K <sup>1</sup>	L	MA	MB
NH3	26.00	25.00	24.00	38.00	24.00	2.50	14.00	2.00 X 3.00	2.50	21.50	19.00
NH4	32.00	29.50	28.50	41.00	24.00	2.50	12.00	2.00 X 3.00	2.50	23.50	23.50

Note: Mounting hole dimension is 0.56" diameter.

OPTIONAL TYPE 4, 12 AND STAINLESS STEEL ENCLOSURES ARE AVAILABLE. SEE PAGE 233 FOR DETAILS.

<sup>1</sup> Knockout (K) sizes are actual diameters of knockout, not conduit sizes. Refer to table on page 230 for conduit sizes.



Case Style	Dimensions in Inches													
	A	A <sup>1</sup>	B	B <sup>1</sup>	C	D	E	F	G	H	K <sup>1</sup>	L	MA	MB
NH5	19.40	16.75	20.20	15.00	21.50	12.00	2.00	7.00	7.81	6.00	1.38 X 1.75	2.80	18.00	9.00
NH6	23.90	21.50	25.00	19.50	28.75	17.00	2.00	8.00	10.29	8.50	1.38 X 2.50	5.20	22.75	9.00

Note: Mounting hole dimension is 0.56" diameter.

OPTIONAL TYPE 4, 12 AND STAINLESS STEEL ENCLOSURES ARE AVAILABLE. SEE PAGE 233 FOR DETAILS.

<sup>1</sup> Knockout (K) sizes are actual diameters of knockout, not conduit sizes. Refer to table on page 230 for conduit sizes.

GENERAL INFORMATION

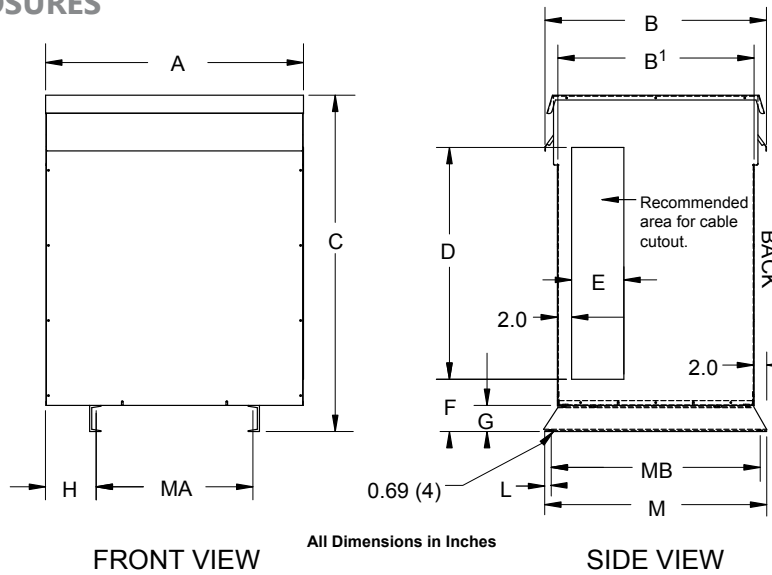
Note: For DOE 2016 product information please see the HPS Sentinel® Energy Efficient Distribution Transformer Selection Guide (DOESEL15) or the HPS Millennium™ G Medium Voltage Transformer Selection Guide (MILGMED15)



# GENERAL INFORMATION

## TYPE 3R ENCLOSURE DIMENSIONAL DRAWINGS

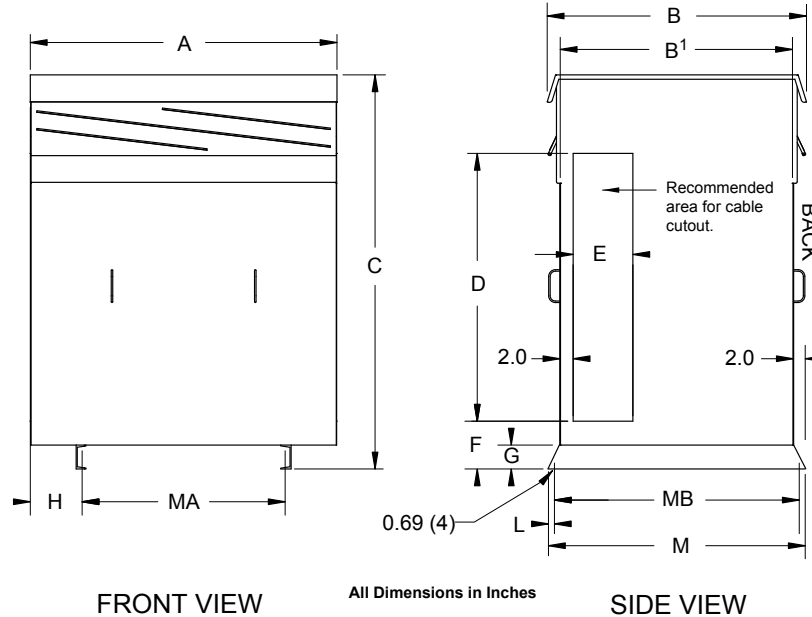
### 'NJ' SERIES ENCLOSURES



Case Style	Dimensions in Inches												
	A	B	B <sup>1</sup>	C	D	E	F	G	H	L	M	MA	MB
NJ1*	39.50	34.00	30.00	51.50	35.50	6.00	8.00	4.00	7.75	1.00	34.00	24.00	32.00
NJ2	48.50	38.40	34.00	59.00	40.00	8.00	8.00	4.00	10.50	1.00	38.00	27.50	36.00
NJ4	32.00	32.50	28.50	50.00	34.00	8.00	8.00	4.00	5.00	1.00	32.50	22.00	30.50

Note: Mounting hole dimension is 0.69" diameter.

\*OPTIONAL TYPE 4, 12 AND STAINLESS STEEL ENCLOSURE AVAILABLE. SEE PAGE 234 FOR DETAILS.



Case Style	Dimensions in Inches												
	A	B	B <sup>1</sup>	C	D	E	F	G	H	L	M	MA	MB
NJ3	51.50	43.40	39.00	66.00	47.00	10.00	8.00	4.00	8.75	1.00	43.00	34.00	41.00
NJ6	64.00	44.40	40.00	71.00	50.00	11.50	9.00	5.00	12.00	1.00	44.00	40.00	42.00
NJ7	64.00	51.40	47.00	75.00	54.00	11.50	9.00	5.00	12.00	1.00	51.00	40.00	49.00

Note: Mounting hole dimension is 0.69" diameter.

GENERAL INFORMATION

Note: For DOE 2016 product information please see the HPS Sentinel® Energy Efficient Distribution Transformer Selection Guide (DOESEL15) or the HPS Millennium™ G Medium Voltage Transformer Selection Guide (MILGMED15)

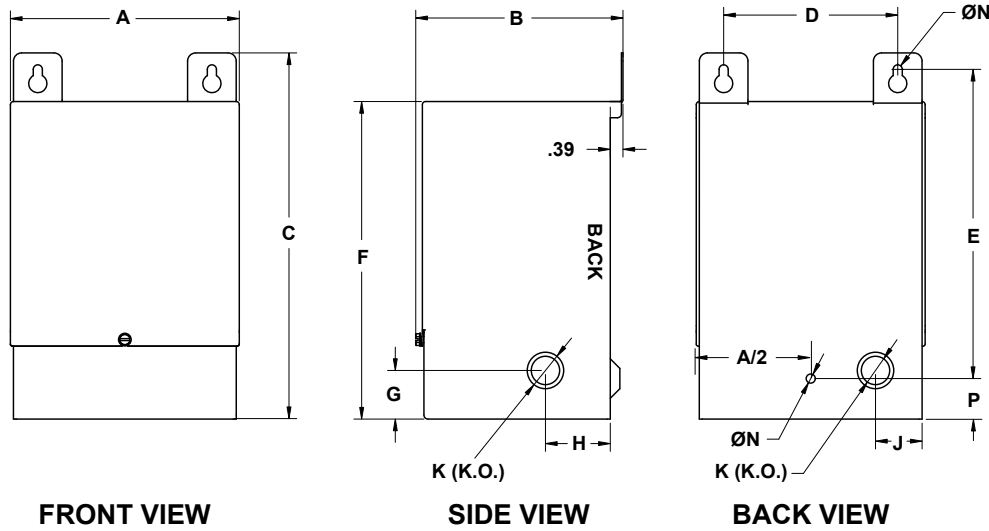


# GENERAL INFORMATION

## TYPE 3R ENCLOSURE DIMENSIONAL DRAWINGS

### 'NQ' SERIES ENCLOSURES

**Figure 1**

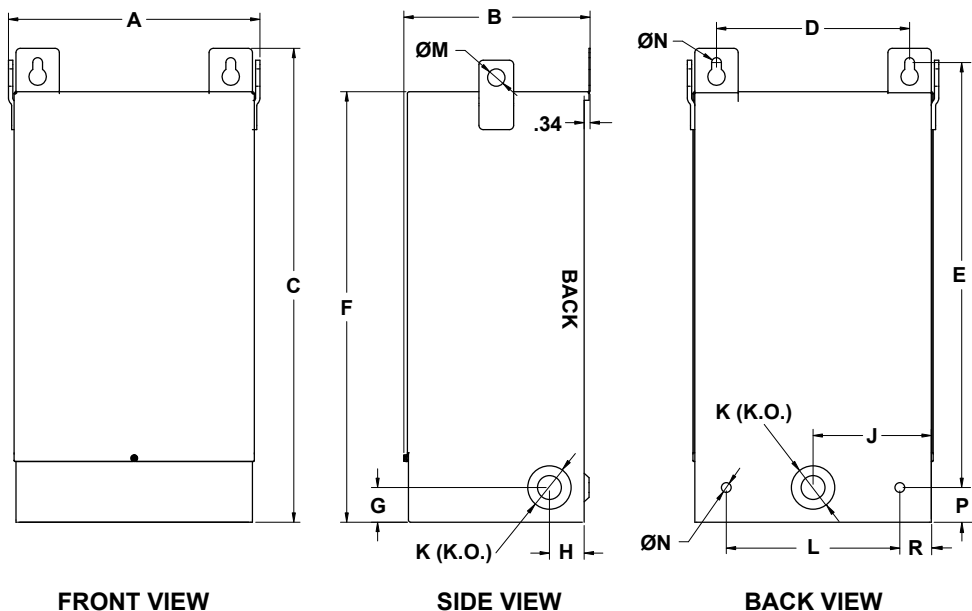


Case Style	Fig #	Dimensions in Inches														
		A	B	C	D	E	F	G	H	J	K <sup>1</sup>	L	M	N	P	R
NQ0	1	3.69	5.06	7.19	2.50	5.63	6.19	1.50	2.00	--	0.88	--	--	0.22	1.25	--
NQ1	1	4.31	5.56	7.19	3.13	5.63	6.13	1.50	2.00	0.81	0.88	--	--	0.22	1.25	--
NQ2	1	5.06	4.56	9.30	3.88	7.75	8.30	1.50	2.00	1.00	0.88 X 1.13 X 1.38	--	--	0.22	1.25	--
NQ3	1	5.88	5.19	10.56	4.13	8.31	9.06	1.50	2.00	1.25	0.88 X 1.13 X 1.38	--	--	0.28	1.25	--
NQ4	1	7.06	6.25	11.75	5.38	10.00	10.30	1.75	2.00	1.50	0.88 X 1.13 X 1.38	--	--	0.28	1.25	--
NQ5	2	10.00	7.75	17.25	7.38	15.38	15.25	2.375	2.00	4.00	1.13 X 1.38	6.00	0.75	0.44	1.25	1.68
NQ6A	2	12.25	9.25	17.63	9.38	14.88	15.56	2.00	2.00	5.00	1.38 X 2.50	8.00	0.75	0.44	2.00	1.68
NQ6	2	12.25	9.25	20.88	9.38	18.13	18.88	2.00	2.00	5.00	1.38 X 2.50	8.00	0.75	0.44	2.00	1.68
NQ7	2	14.50	10.75	21.38	11.63	18.63	19.38	2.00	2.00	6.00	1.38 X 2.50	10.00	0.75	0.44	2.00	1.81
NQ8	2	14.50	10.75	27.38	11.13	24.50	24.88	2.00	2.00	6.00	1.38 X 2.50	10.00	0.75	0.56	2.00	1.81

<sup>1</sup> Knockout (K) sizes are actual diameters of knockout, not conduit sizes. Refer to table on page 230 for conduit sizes.

OPTIONAL STAINLESS STEEL ENCLOSURES ARE AVAILABLE.

**Figure 2**



GENERAL INFORMATION

Note: For DOE 2016 product information please see the HPS Sentinel® Energy Efficient Distribution Transformer Selection Guide (DOESEL15) or the HPS Millennium™ G Medium Voltage Transformer Selection Guide (MILGMED15)

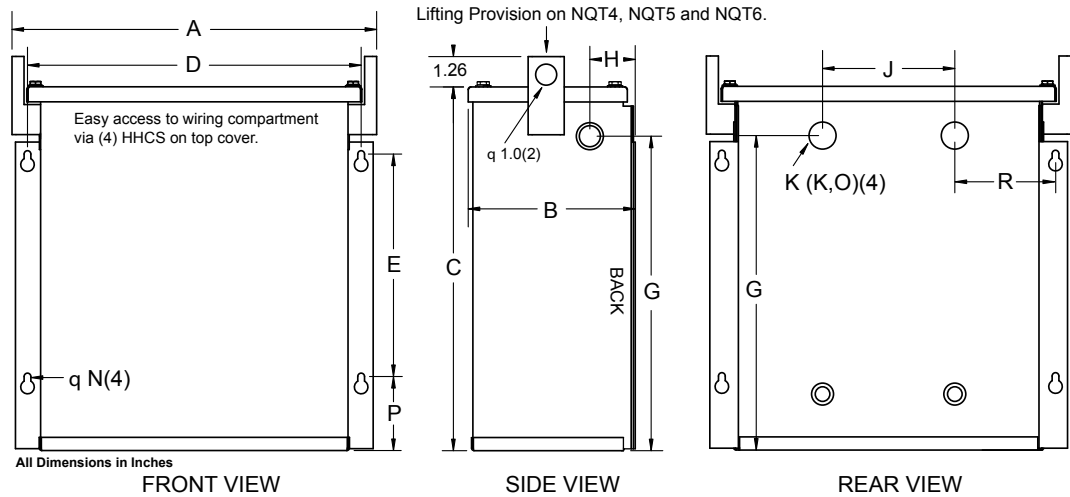


# GENERAL INFORMATION

## TYPE 3R ENCLOSURE DIMENSIONAL DRAWINGS

### 'NQT & NQS' SERIES ENCLOSURES

**Figure 1**

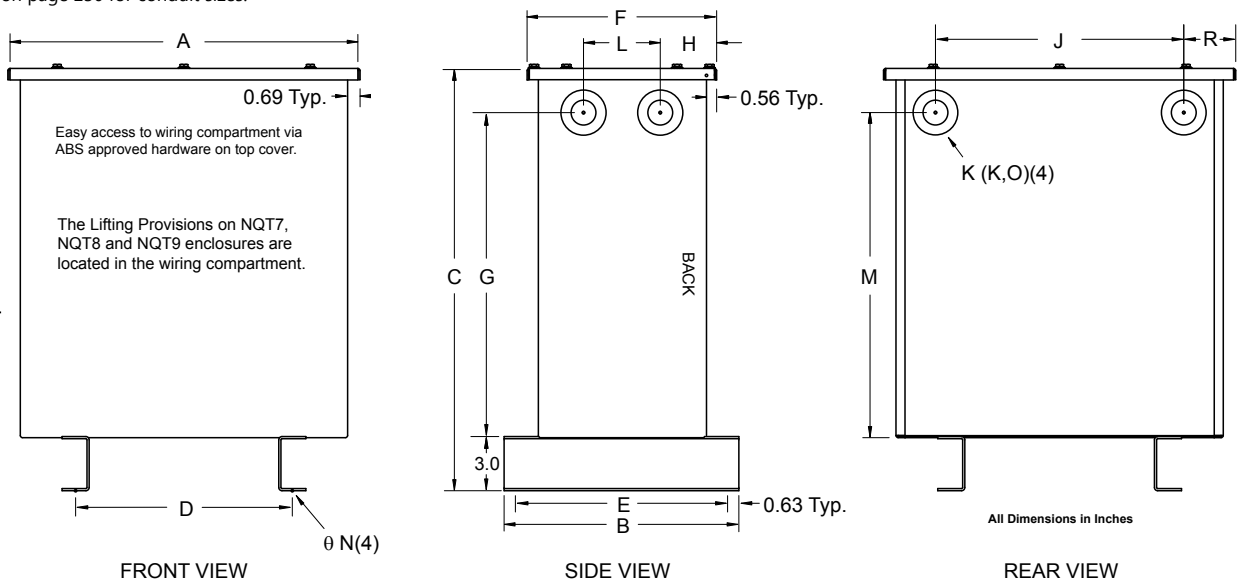


Case Style	Fig #	Dimensions in Inches															
		A	B	C	D	E	F	G	H	J	K <sup>1</sup>	L	M	N	P	R	
NQT2	1	9.38	4.94	8.63	8.38	4.00	-	7.06	2.38	4.50	0.88 X 1.13	-	-	0.28	1.81	2.44	
NQT3	1	12.38	5.44	11.13	11.38	6.50	-	9.50	2.38	5.50	0.88 X 1.13	-	-	0.28	1.81	3.44	
NQT4	1	15.19	6.94	15.13	13.88	9.25	-	13.56	1.88	5.50	0.88 X 1.13	-	-	0.28	3.06	4.19	
NQT5	1	16.63	10.25	16.63	14.50	8.25	-	13.88	2.69	10.00	1.38 X 1.75	-	-	0.41	4.50	2.25	
NQT6	1	19.25	10.44	16.63	17.50	8.25	-	13.56	2.69	12.50	1.38 X 2.50	-	-	0.41	4.50	2.50	
NQT7	2	20.25	13.00	23.38	12.00	11.75	11.38	17.94	2.50	13.75	1.38 X 2.50	4.25	17.94	0.56	-	2.13	
NQT8	2	22.25	13.00	28.38	14.00	11.75	11.38	21.94	2.50	15.75	1.38 X 2.50	4.25	21.94	0.56	-	2.13	
NQT9	2	31.25	16.00	29.88	18.00	14.75	14.13	23.94	2.75	22.75	2.00 X 3.00	6.50	23.94	0.56	-	3.13	
NQT9A	2	34.63	18.50	36.75	22.50	17.25	16.50	30.38	4.69	27.25	2.00 X 3.00	6.50	30.38	0.56	-	3.31	
NQS10	2	21.88	18.50	31.00	13.50	17.25	16.50	24.63	4.91	13.13	1.75 X 2.50	6.50	24.63	0.56	-	4.00	
NQT10	3	38.44	26.00	39.13	23.50	24.00	20.80	32.50	6.40	24.75	2.50 X 3.63	8.00	32.50	0.69	-	6.84	
NQT11	3	37.38	30.00	45.63	23.50	28.00	22.00	39.00	6.95	24.75	2.50 X 3.63	8.00	39.00	0.69	-	6.31	

<sup>1</sup> Knockout (K) sizes are actual diameters of knockout, not conduit sizes. Refer to table on page 230 for conduit sizes.

OPTIONAL STAINLESS STEEL ENCLOSURES ARE AVAILABLE.

**Figure 2**



GENERAL INFORMATION

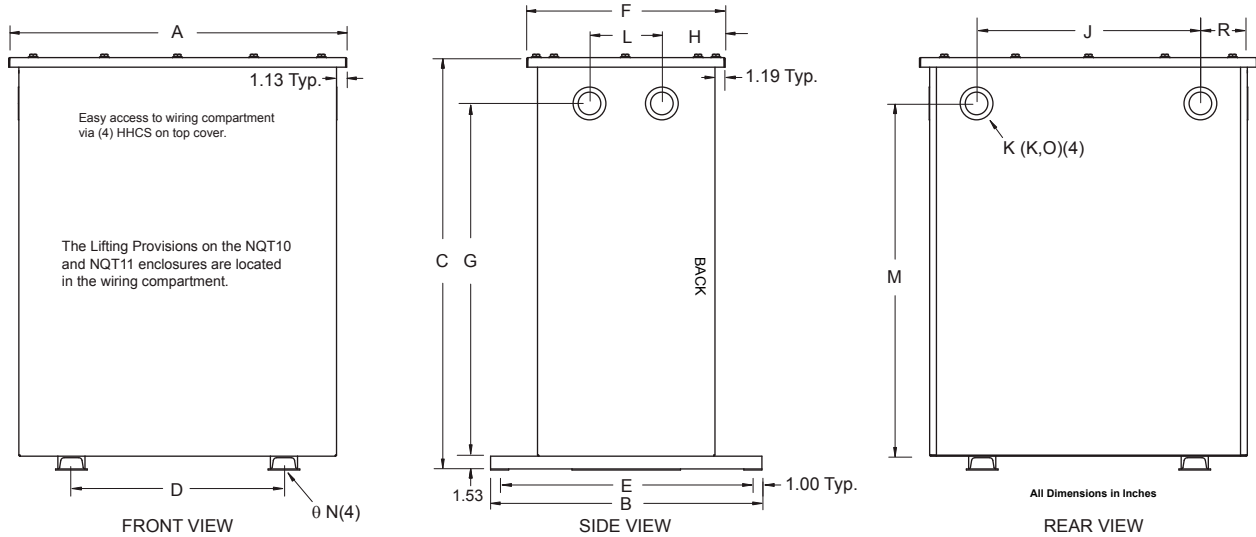
Note: For DOE 2016 product information please see the HPS Sentinel® Energy Efficient Distribution Transformer Selection Guide (DOESEL15) or the HPS Millennium™ G Medium Voltage Transformer Selection Guide (MILGMED15)



# GENERAL INFORMATION

## TYPE 3R ENCLOSURE DIMENSIONAL DRAWINGS CONTINUED

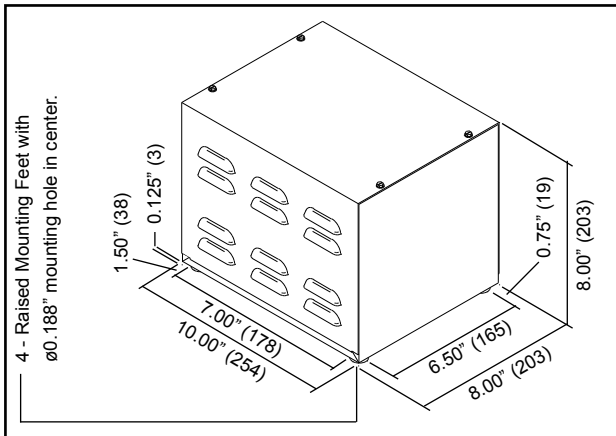
### 'NQT & NQS' SERIES ENCLOSURES



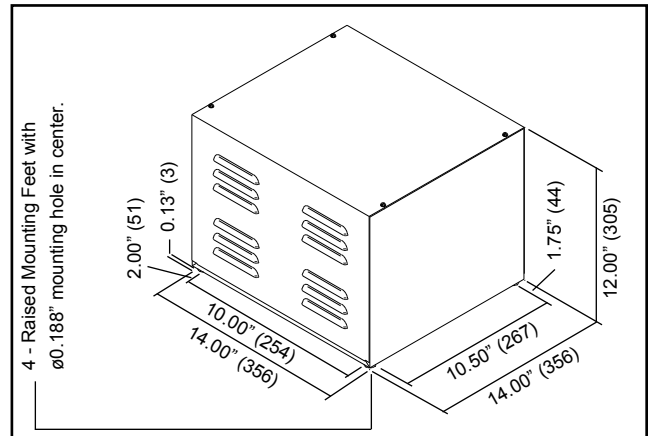
**Figure 3**

## TYPE 2 ENCLOSURE DIMENSIONAL DRAWINGS

### 'N1' SERIES ENCLOSURE



### 'N2' SERIES ENCLOSURE



## Conduit Size vs. Actual Knockout Size Reference Table

Standard Conduit Size	Actual Knockout Diameter
1/2"	7/8"
3/4"	1 1/8"
1"	1 3/8"
1 1/4"	1 3/4"
1 1/2"	2"
2"	2 1/2"
2 1/2"	3"
3"	3 5/8"
3 1/2"	4 1/8"

Please note the above table is not applicable for Stainless Steel enclosures.

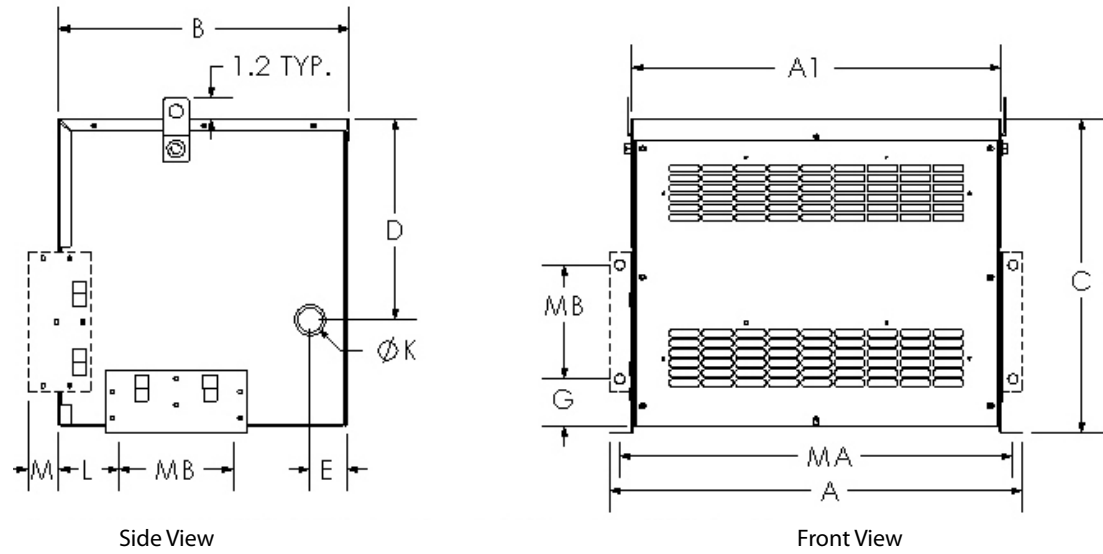


# GENERAL INFORMATION

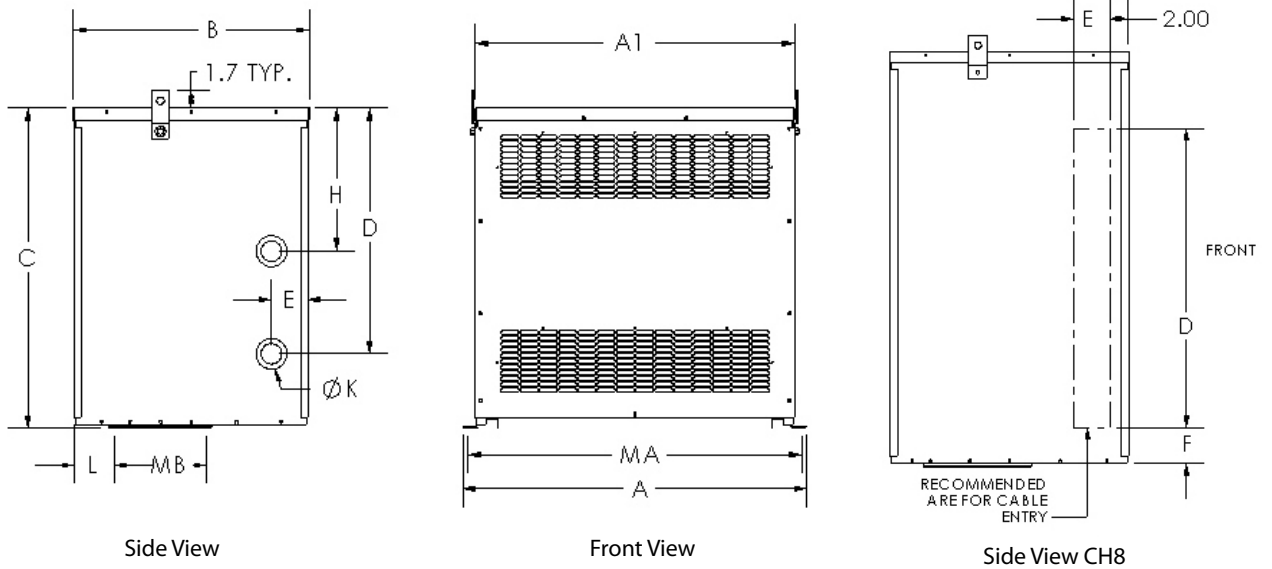
## TYPE 1 ENCLOSURE DIMENSIONAL DRAWINGS

### CH SERIES ENCLOSURES

**Figure 1**



**Figure 2**



Style	Fig #	A	B	A1	C	D	E	F	G	H	K	L	M	MA	MB	Opt. Sprinkler Hood Kit Part Number
CH1	1	21.4	12.5	19.0	16.5	10.0	2.1	-	2.7	-	1.38 X 1.75	1.5	0.3	20.2	6.5	SHCH1
CH2	1	23.5	16.5	21.0	17.9	11.4	2.1	-	3.4	-	1.38 X 1.75	3.4	1.8	22.4	6.5	SHCH2-3
CH3	1	24.1	17.0	21.6	23.9	17.4	2.1	-	6.3	-	1.75 X 2.50	3.6	1.8	23.0	6.5	SHCH2-3
CH4	1	26.1	20.5	23.6	25.9	19.4	2.3	-	6.3	-	2.00 X 3.00	4.0	1.8	25.0	6.5	SHCH4
CH5	1	28.1	21.3	25.6	28.9	22.4	2.3	-	-	12.4	2.00 X 3.00	5.0	-	27.0	6.5	SHCH5
CH6	2	33.5	23.0	31.1	31.2	24.0	3.7	-	-	14.0	2.00 X 3.00	4.0	-	32.5	9.0	SHCH6
CH7	2	33.5	24.0	31.1	40.8	24.0	3.7	-	-	14.0	2.00 X 3.00	4.4	-	32.5	9.0	SHCH7
CH8	2	35.5	26.5	33.1	45.8	33.0	4.0	4.0	-	-	-	5.0	-	34.5	9.5	SHCH8

\*CH1 through CH4 include provision for wall mounting

Dimensions in inches

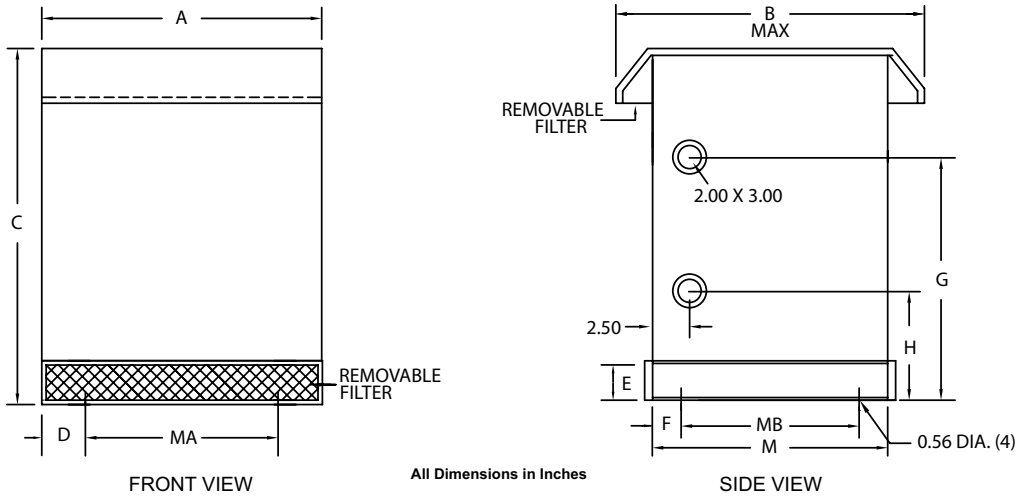
GENERAL INFORMATION

Note: For DOE 2016 product information please see the HPS Sentinel® Energy Efficient Distribution Transformer Selection Guide (DOESEL15) or the HPS Millennium™ G Medium Voltage Transformer Selection Guide (MILGMED15)



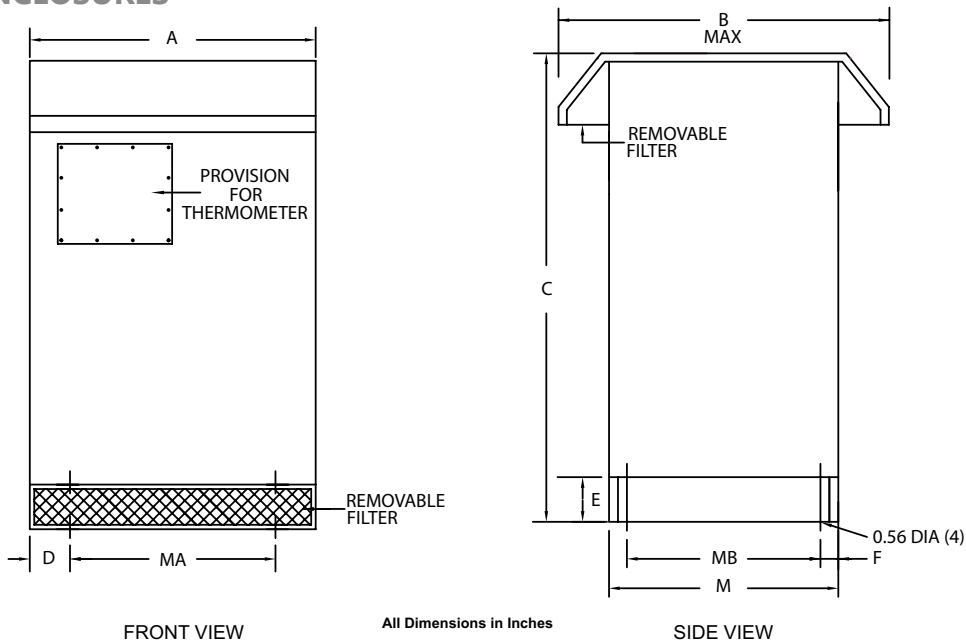
# GENERAL INFORMATION

## TYPE 3RE ENHANCED ENCLOSURE DIMENSIONAL DRAWINGS 'NH' SERIES ENCLOSURES



Case Style	Dimensions in Inches										
	A	B	C	D	E	F	G	H	MA	MB	M
NH3-N3RE	26.00	38.00	42.00	2.25	8.00	0.75	26.00	18.00	21.50	19.00	20.63
NH4-N3RE	32.00	42.00	45.00	4.25	8.00	0.75	29.00	18.00	23.50	23.50	25.13

## 'NJ' SERIES ENCLOSURES



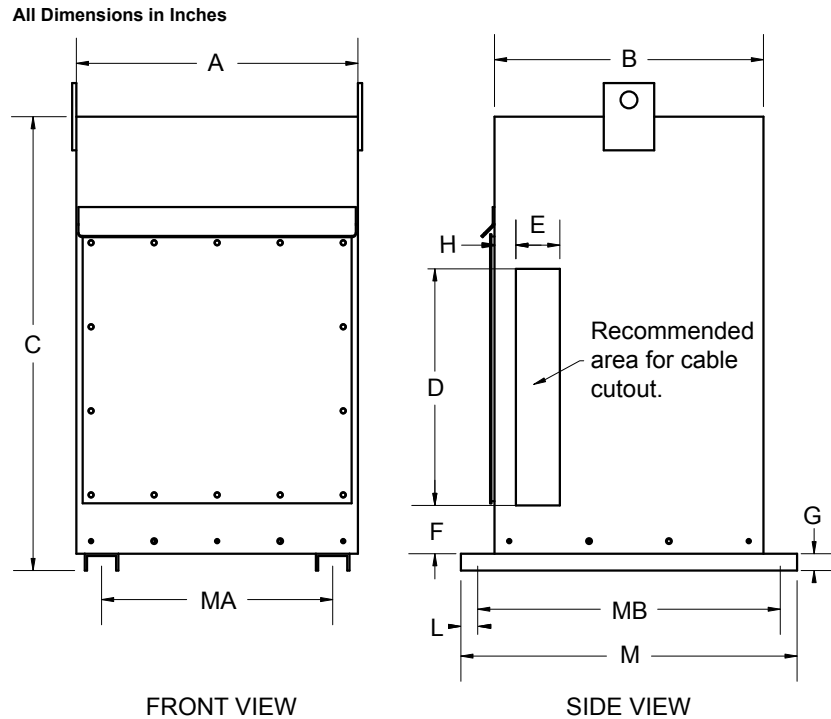
Case Style	Dimensions in Inches									
	A	B	C	D	E	F	MA	MB	M	
NJ1-N3RE	39.50	55.00	57.50	7.63	10.00	1.00	24.00	32.00	34.00	
NJ2-N3RE	48.50	60.00	65.00	10.38	10.00	1.00	27.50	36.00	38.00	
NJ3-N3RE	51.50	65.00	72.00	8.52	10.00	1.00	34.00	41.00	43.00	
NJ4-N3RE	32.00	54.00	56.00	4.88	10.00	1.00	22.00	30.50	32.50	
NJ6-N3RE	64.00	70.00	83.00	12.00	12.00	1.00	40.00	42.00	44.00	
NJ7-N3RE	64.00	77.00	83.00	12.00	12.00	1.00	40.00	49.00	51.00	

Note: For DOE 2016 product information please see the HPS Sentinel® Energy Efficient Distribution Transformer Selection Guide (DOESEL15) or the HPS Millennium™ G Medium Voltage Transformer Selection Guide (MILGMED15)

# GENERAL INFORMATION

## OPTIONAL TYPE 4 & 12 ENCLOSURE DIMENSIONAL DRAWINGS

'NH-N4 & NH-N12' SERIES ENCLOSURES



Case Style	Dimensions in Inches											
	A	B	C	D	E	F	G	H	L	M	MA	MB
NH5-N4, NH5-N12	16.75	16.00	27.00	16.00	4.00	4.00	1.00	2.00	1.00	20.00	13.75	18.00
NH6-N4, NH6-N12	21.50	21.00	41.00	24.00	5.00	4.00	1.00	2.00	1.00	25.00	17.00	23.00
NH3-N4, NH3-N12	28.00	23.00	55.50	32.00	6.00	4.00	1.50	2.00	1.00	27.00	21.50	25.00
NH4-N4, NH4-N12	34.00	27.00	61.50	36.00	7.00	4.00	1.50	2.00	1.00	31.00	23.50	29.00

Note: Mounting hole dimension is 0.69" diameter.

## Optional Type 4 & 12 Stainless Steel Enclosures

Optional type 4 and 12 rated stainless steel enclosures are available and are designed using either type 304 or 316 stainless steel in accordance with ANSI, NEMA, UL and ABS requirements for indoor, outdoor and marine duty applications.

GENERAL  
INFORMATION

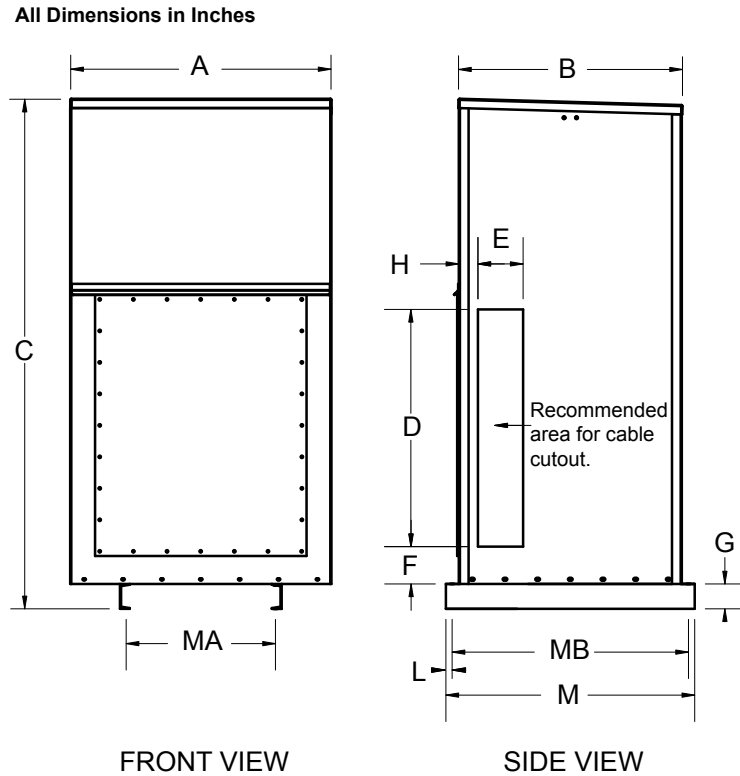
Note: For DOE 2016 product information please see the HPS Sentinel® Energy Efficient Distribution Transformer Selection Guide (DOESEL15) or the HPS Millennium™ G Medium Voltage Transformer Selection Guide (MILGMED15)



# GENERAL INFORMATION

## OPTIONAL TYPE 4 & 12 ENCLOSURE DIMENSIONAL DRAWINGS

'NJ-N4 & NJ-N12' SERIES ENCLOSURES



Case Style	Dimensions in Inches											
	A	B	C	D	E	F	G	H	L	M	MA	MB
NJ1-N4, NJ1-N12	42.00	36.00	82.00	40.00	8.00	6.00	4.00	3.00	1.00	40.00	24.00	38.00

Note: Mounting hole dimension is 0.69" diameter.

GENERAL INFORMATION

### Optional Type 4 & 12 Stainless Steel Enclosures

Optional type 4 and 12 rated stainless steel enclosures are available and are designed using either type 304 or 316 stainless steel in accordance with ANSI, NEMA, UL and ABS requirements for indoor, outdoor and marine duty applications.

Note: For DOE 2016 product information please see the HPS Sentinel® Energy Efficient Distribution Transformer Selection Guide (DOESEL15) or the HPS Millennium™ G Medium Voltage Transformer Selection Guide (MILGMED15)

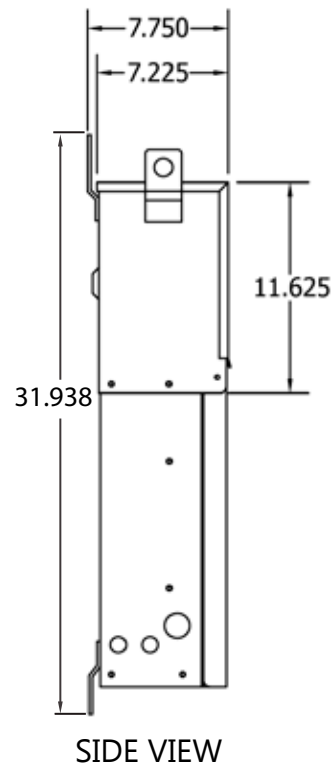
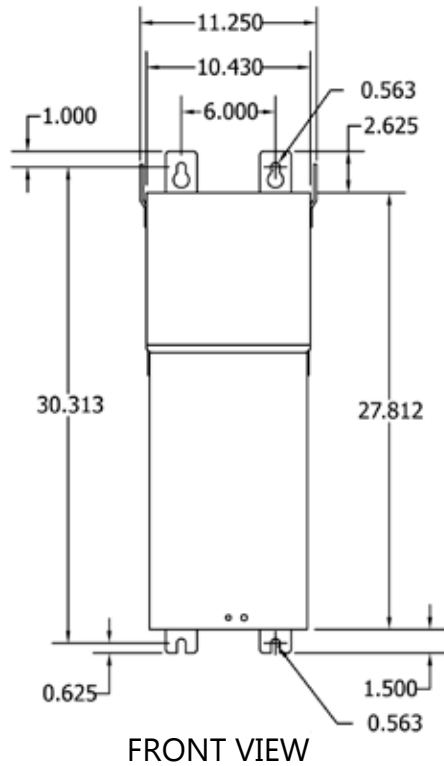


# GENERAL INFORMATION

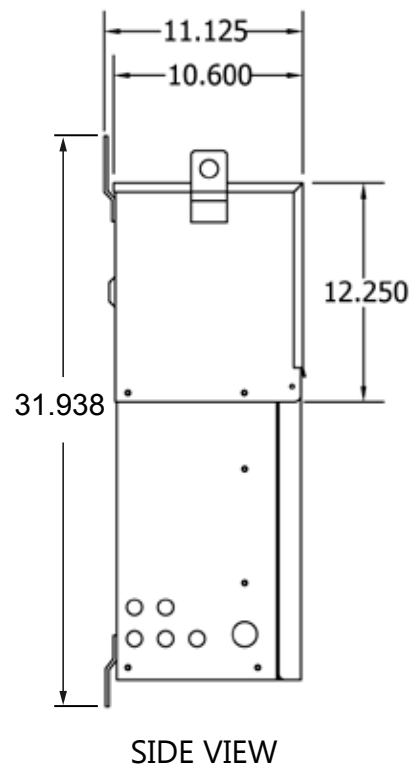
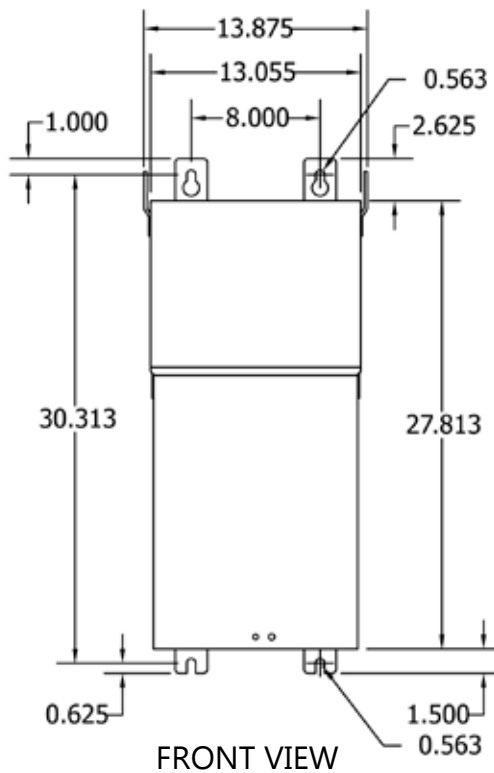
## TYPE 3R ENCLOSURE DIMENSIONAL DRAWINGS

'PPE1 - PPE5' SERIES ENCLOSURES

**PPE1**



**PPE2**



GENERAL  
INFORMATION

Note: For DOE 2016 product information please see the HPS Sentinel® Energy Efficient Distribution Transformer Selection Guide (DOESEL15) or the HPS Millennium™ G Medium Voltage Transformer Selection Guide (MILGMED15)

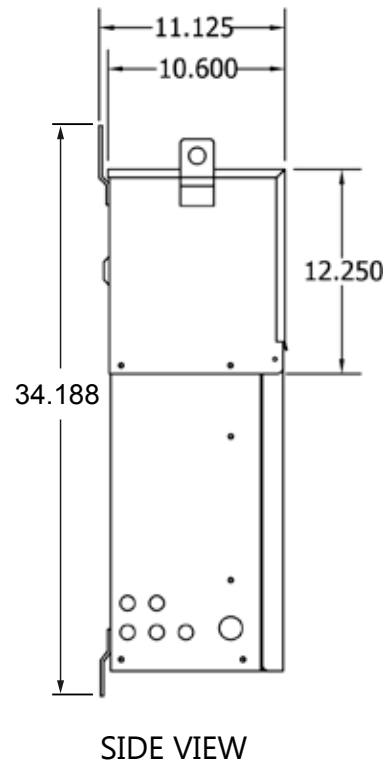
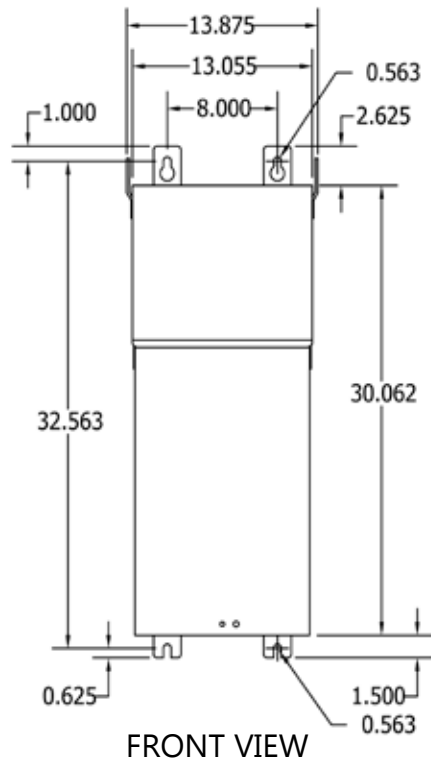


# GENERAL INFORMATION

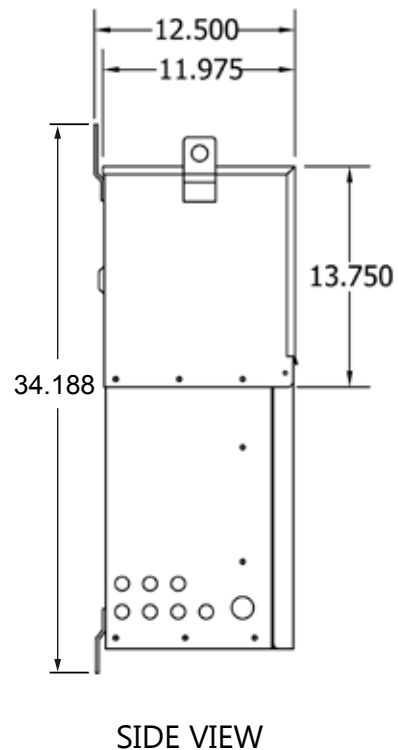
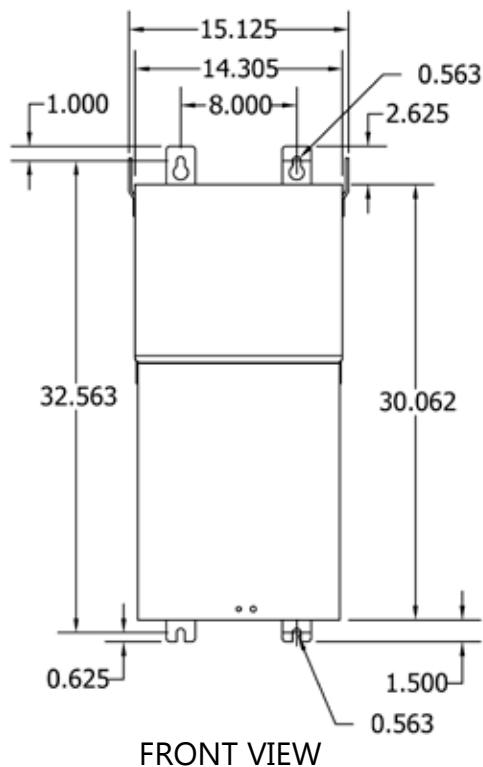
## TYPE 3R ENCLOSURE DIMENSIONAL DRAWINGS

'PPE1 - PPE5' SERIES ENCLOSURES CONTINUED

**PPE3**



**PPE4**



GENERAL  
INFORMATION

Note: For DOE 2016 product information please see the HPS Sentinel® Energy Efficient Distribution Transformer Selection Guide (DOESEL15) or the HPS Millennium™ G Medium Voltage Transformer Selection Guide (MILGMED15)

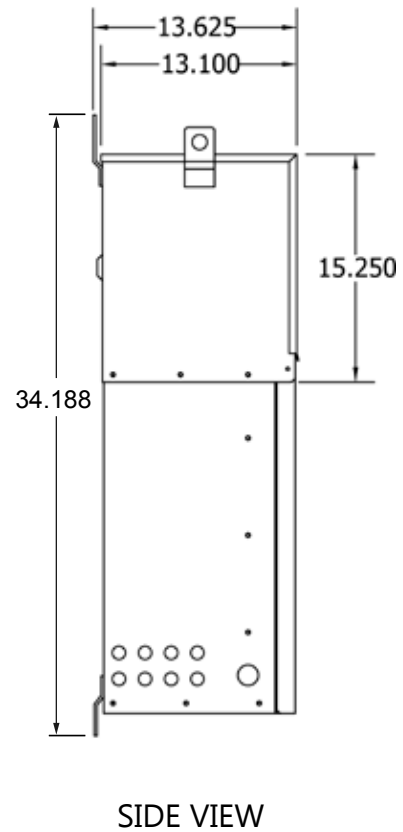
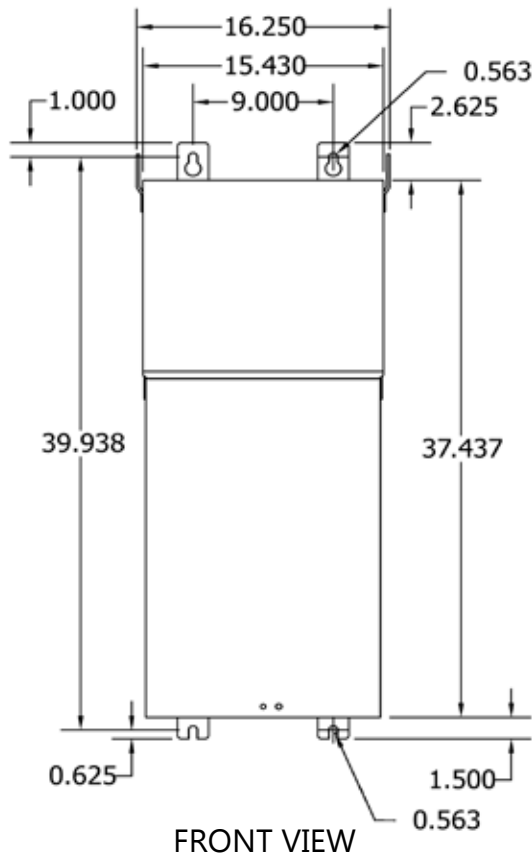


# GENERAL INFORMATION

## TYPE 3R ENCLOSURE DIMENSIONAL DRAWINGS

'PPE1 - PPE5' SERIES ENCLOSURES CONTINUED

PPE5



GENERAL  
INFORMATION



Note: For DOE 2016 product information please see the HPS Sentinel® Energy Efficient Distribution Transformer Selection Guide (DOESEL15) or the HPS Millennium™ G Medium Voltage Transformer Selection Guide (MILGMED15)



# GENERAL INFORMATION

## ACCESSORIES (for transformers listed in sections 3, 4, 7, 10 and 11)

### ENCLOSURE MOUNTING KITS

If wall and/or ceiling mounting is desired for a transformer, optional mounting kits can be ordered separately. These mounting kits are NOT available for all enclosure case styles. Therefore, it is important that you confirm your enclosure case style, then use the selection table to the right to determine if A) a mounting kit is available and B) determine the correct HPS "Mounting Kit" part number that you must order. One kit is required for each transformer.

**Note:** Some of the mounting kits can be used for both wall and ceiling mount, while others are for wall mounting only. The table indicates which mounting methods are available for each kit. The NW2 wall/ceiling mounting kit also includes a drip plate.

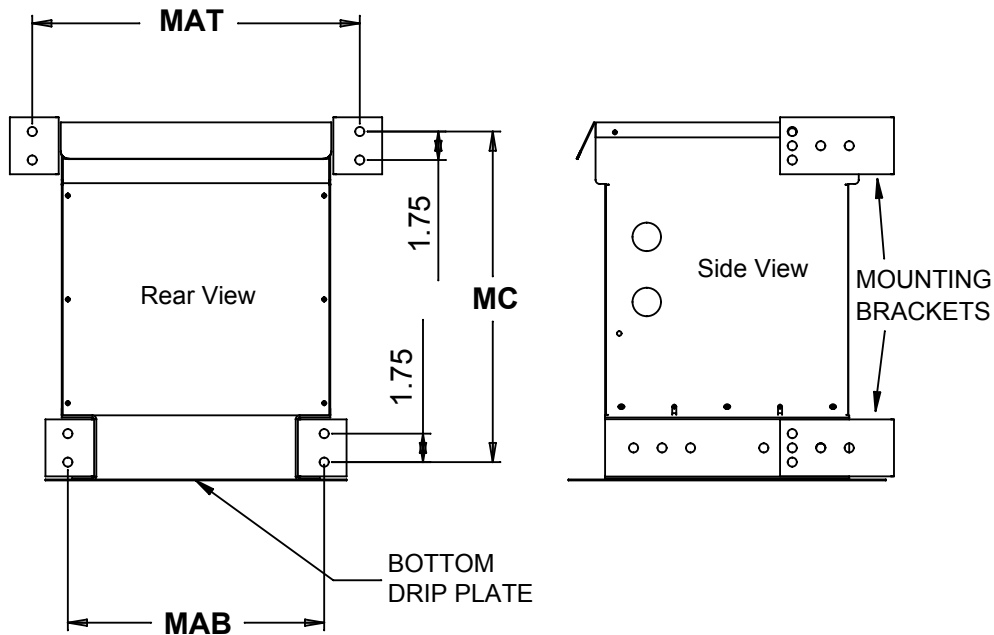
**The NW2 wall/ceiling mounting kit is only designed for units up to 800 pounds (341 kg) maximum.**

Enclosure Case Style	Wall Mount Available	Ceiling Mount Available	HPS Mounting Kit P/N
N1	No	No	N/A
N2	No	No	N/A
NH3	Yes	Yes	NW2
NH4	No	No	N/A
NH5	Yes	Yes	NH5DP
NH6	Yes	Yes	NH6DP
NJ Series	No	No	N/A

### NW2 WALL/CEILING MOUNTING KITS

The following drawings detail the wall and ceiling mounting dimensions required and method by which the NW2 kits are installed on the NH3 enclosures.

#### NW2 WALL MOUNT - MOUNTING DIMENSIONS



Wall Mounting Dimensions				
Part No.	Enclosure	MAT	MAB	MC
NW2	NH3	29.375	23.50	36.50

NOTE: Please refer to enclosure dimensional drawings on page 226 for more detailed dimensional information.

GENERAL INFORMATION



Note: For DOE 2016 product information please see the HPS Sentinel® Energy Efficient Distribution Transformer Selection Guide (DOESEL15) or the HPS Millennium™ G Medium Voltage Transformer Selection Guide (MILGMED15)

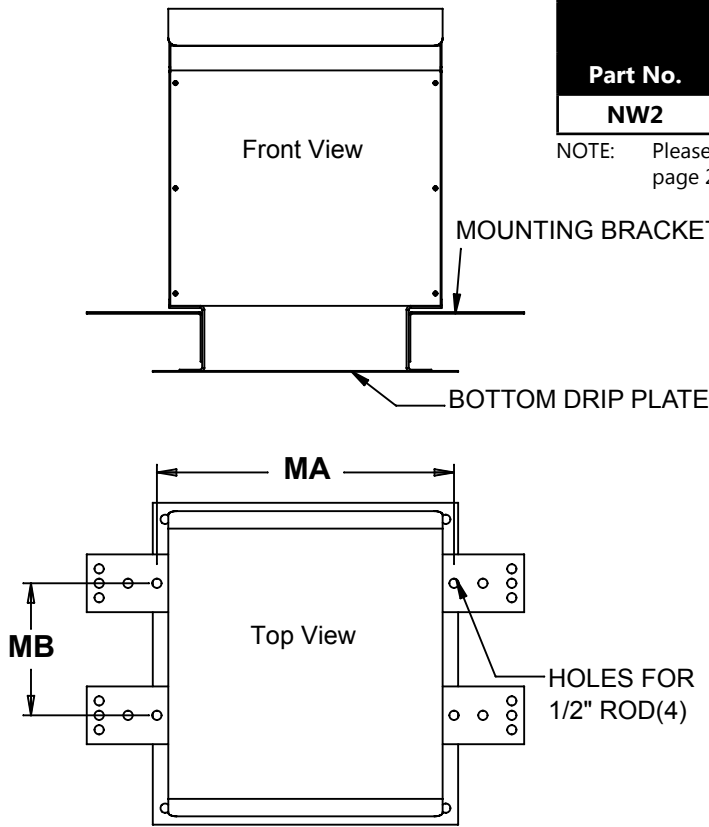




# GENERAL INFORMATION

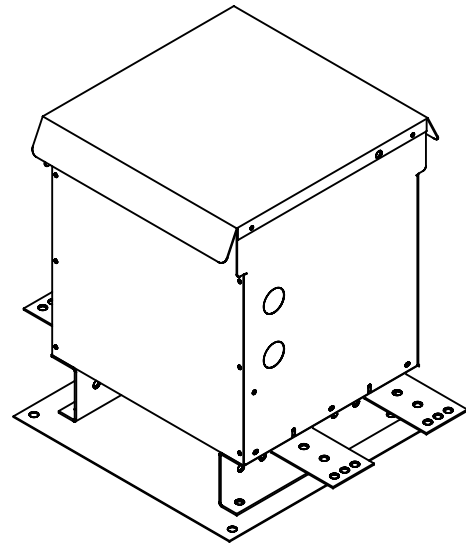
## ACCESSORIES (for transformers listed in sections 3, 4, 7, 10 and 11)

### NW2 CEILING MOUNT - MOUNTING DIMENSIONS



Ceiling Mounting Dimensions			
Part No.	Enclosure	MA	MB
NW2	NH3	26.50	11.75

NOTE: Please refer to enclosure dimensional drawings on page 226 for more detailed dimensional information.

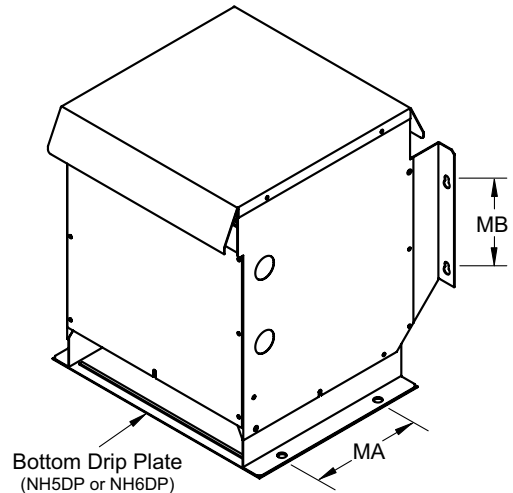


### NH5DP & NH6DP WALL/CEILING MOUNTING KITS

The NH5 and NH6 enclosures are designed with integral wall mounting capabilities. However, when you wall mount them, you must also install the bottom drip plate as shown below. The "MB" dimensions listed in the table below indicate the location for the wall mounting hardware.

For ceiling mounting of the NH5 and NH6, refer to the "MA" dimensions listed in the table below and hang the enclosure using appropriate sized ceiling hanger rods. However, you must be sure to install the bottom drip plate to the bottom of the enclosure, then bring the hanger rod down through both the enclosure bottom mounting holes and through the drip plate mounting holes and install mounting hardware.

NOTE: Do not ceiling mount either the NH5 or NH6 enclosures without installing the bottom drip plate. All mounting hardware should be rated Grade 8 or higher.



Mounting Kit P/N	Enclosure Style	MA Dimension	MB Dimension
NH5DP	NH5	9.00	7.00
NH6DP	NH6	9.00	8.00

NOTE: Please refer to enclosure dimensional drawings on page 226 for more detailed dimensional information.

GENERAL INFORMATION

Note: For DOE 2016 product information please see the HPS Sentinel® Energy Efficient Distribution Transformer Selection Guide (DOESEL15) or the HPS Millennium™ G Medium Voltage Transformer Selection Guide (MILGMED15)



# GENERAL INFORMATION

## ACCESSORIES (for transformers listed in sections 3, 4, 7, 10 and 11)

### ANTI-VIBRATION PAD AND VIBRATION ISOLATOR KITS

All standard transformers come with installed internal vibration absorbing pads to minimize noise during operation. Optional external "anti-vibration" pad and "vibration isolator" (for higher noise dampening) kits can be used to reduce operating noise even further. All are resistant to industrial contaminants like oils, acids and alkalis.

#### ANTI-VIBRATION PAD KITS

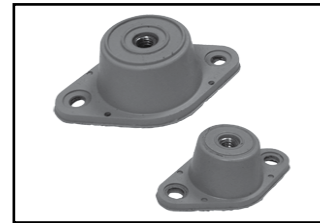
Part No.	Case Style	Description
P1	NH Series	Set of four (4) rubber anti-vibration pads which replace the standard steel enclosure washers.
P2	NJ Series	



All Anti-Vibration Pad kits and Vibration Isolator kits contain a set of four (4) pads or isolators. Therefore only one kit is required per transformer.

#### VIBRATION ISOLATOR KITS

Part No.	Transformer Weight (Lb)	Description
NMP1	Up to 340 lbs	Set of four (4) molded neoprene and steel plate assemblies that virtually eliminate vibration noise between the transformer and the mounting surface.
NMP2	341 to 680 lbs	
NMP3	681 to 1040 lbs	
NMP4	1041 to 1740 lbs	
NMP5	1741 to 2330 lbs	
NMP6	2331 to 3450 lbs	
NMP7	3451 to 4690 lbs	

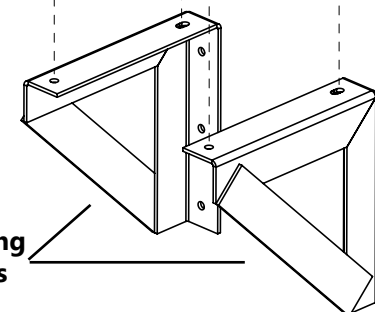
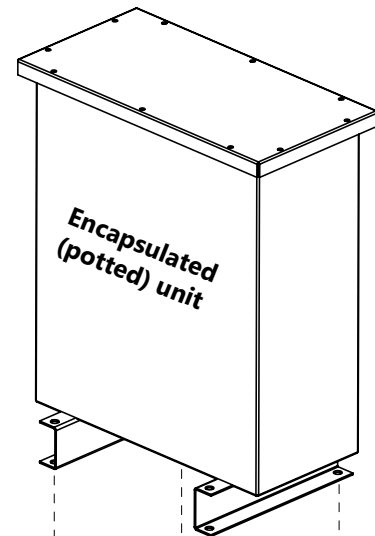


## ACCESSORIES (for transformers listed in sections 8 and 10)

### NQTW1 and NQTW2 Wall Mounting Kits

The **NQTW1** and **NQTW2** wall mounting kits are specifically designed for HPS commercial or industrial encapsulated (potted) distribution transformer units up to a maximum of 45kVA or 800 pounds (363 kg). These mounting kits are designed for encapsulated (potted) units only, no drip plate is included/required. Please contact HPS customer service if you have any questions.

**Note:** Always measure and secure mounting brackets to the wall surface first, then lift the transformer (using appropriate lifting equipment) onto the brackets and attach using minimum Grade 8 hardware.



Mounting Brackets

Enclosure Case Style	Mounting Type	Wall Mounting Kit Part Number
NQ0-NQ8	Wall	Included
NQS10	Wall or Floor	NQTW2
NQT3-NQT6	Wall	Included
NQT7-NQT8	Wall or Floor	NQTW1
NQT9A	Floor	N/A
NQT9*	Wall or Floor	NQTW2

\*Applies to HPS Fortress line only.

Note: For DOE 2016 product information please see the HPS Sentinel® Energy Efficient Distribution Transformer Selection Guide (DOESEL15) or the HPS Millennium™ G Medium Voltage Transformer Selection Guide (MILGMED15)



# GENERAL INFORMATION

## ACCESSORIES (for transformers listed in sections 8 and 10)

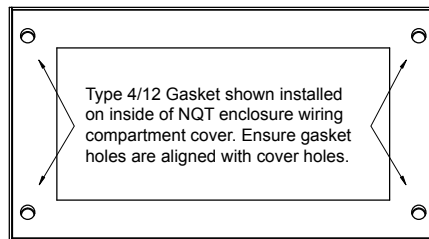
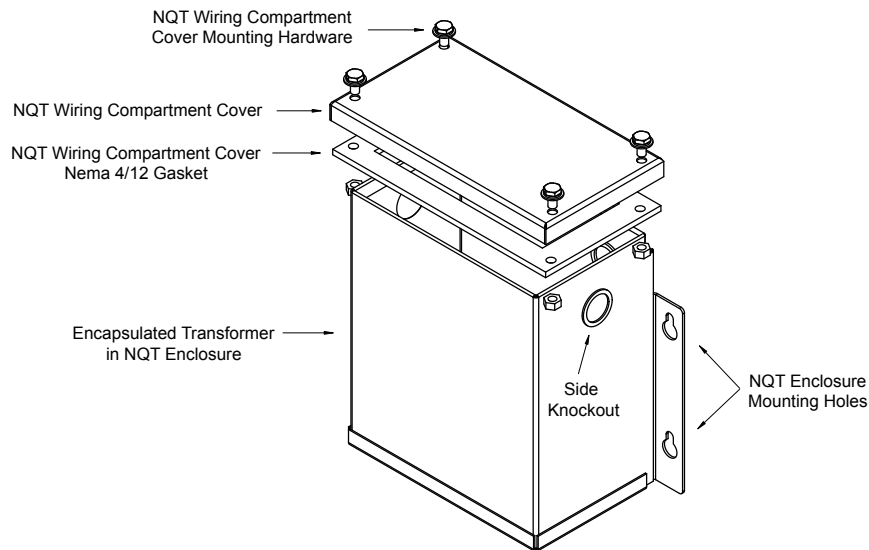
### NQT ENCLOSURE SERIES TYPE 4/12 GASKET KITS

The following options and accessories offered are available on all standard and custom three phase HPS Titan® industrial encapsulated distribution transformers for harsh environments and hazardous locations (see section 8), HPS Fortress™ commercial encapsulated distribution transformers (see section 8) and encapsulated autotransformers (see section 10).

### Optional Type 4/12 Gasket Kits

Standard type 3R rated NQT enclosures can easily be converted to a type 4 or 12 rating by ordering and installing the appropriate gasket kit as listed in the table below.

Enclosure Style	Gasket Kit P/N	Enclosure Style	Gasket Kit P/N
NQT2	NQT2GK	NQT8	NQT8GK
NQT3	NQT3GK	NQT9	NQT9GK
NQT4	NQT4GK	NQT9A	NQT9AGK
NQT5	NQT5GK	NQT10	NQT10GK
NQT6	NQT6GK	NQT11	NQT11GK
NQT7	NQT7GK		



### Optional Stainless Steel Enclosures

Optional type 4 and 12 rated stainless steel enclosures for encapsulated transformers are identical to the standard steel enclosure designs but are designed using either type 304 or 316 stainless steel in accordance with ANSI, NEMA, UL and ABS requirements for indoor, outdoor and marine duty applications.

GENERAL INFORMATION

Note: For DOE 2016 product information please see the HPS Sentinel® Energy Efficient Distribution Transformer Selection Guide (DOESEL15) or the HPS Millennium™ G Medium Voltage Transformer Selection Guide (MILGMED15)



# GENERAL INFORMATION

## TERMINATION DETAILS - TYPE 3R

The following termination details are for standard 150°C temperature rise HPS Sentinel (section 7) and general purpose medium voltage transformer (section 11) units only.

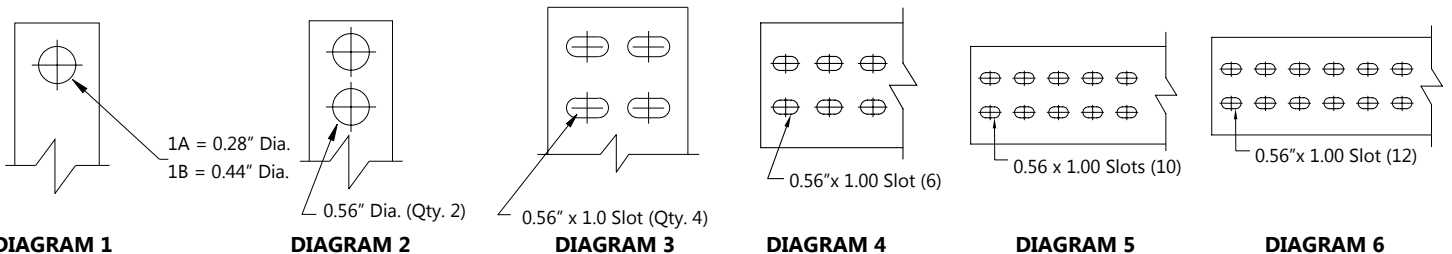
### SINGLE PHASE, ALUMINUM AND COPPER TERMINATION - LUGS OR PADS

kVA	VOLTAGE											
	120	120/240	208	240	277	347	380	416	480	600	2400	4160
0.25	Leads	Leads	Leads	Leads	Leads	Leads	Leads	Leads	Leads	Leads	-	-
0.5	Leads	Leads	Leads	Leads	Leads	Leads	Leads	Leads	Leads	Leads	-	-
0.75	Leads	Leads	Leads	Leads	Leads	Leads	Leads	Leads	Leads	Leads	-	-
1	Leads	Leads	Leads	Leads	Leads	Leads	Leads	Leads	Leads	Leads	-	-
1.5	Leads	Leads	Leads	Leads	Leads	Leads	Leads	Leads	Leads	Leads	-	-
2	Leads	Leads	Leads	Leads	Leads	Leads	Leads	Leads	Leads	Leads	-	-
3	Leads	Leads	Leads	Leads	Leads	Leads	Leads	Leads	Leads	Leads	-	-
5	Leads	Leads	Leads	Leads	Leads	Leads	Leads	Leads	Leads	Leads	-	-
7.5	Lugs	Lugs	Lugs	Lugs	Lugs	Lugs	Lugs	Lugs	Lugs	Lugs	-	-
10	Lugs	Lugs	Lugs	Lugs	Lugs	Lugs	Lugs	Lugs	Lugs	Lugs	-	-
15	Lugs	Lugs	Lugs	Lugs	Lugs	Lugs	Lugs	Lugs	Lugs	Lugs	Lugs (Dia. 1A)	Lugs (Dia. 1A)
25	Lugs	Lugs	Lugs	Lugs	Lugs	Lugs	Lugs	Lugs	Lugs	Lugs	Lugs (Dia. 1A)	Lugs (Dia. 1A)
37.5	Dia. 2	Lugs	Lugs	Lugs	Lugs	Lugs	Lugs	Lugs	Lugs	Lugs	Lugs (Dia. 1A)	Lugs (Dia. 1A)
50	Dia. 2	Lugs	Lugs	Lugs	Lugs	Lugs	Lugs	Lugs	Lugs	Lugs	Lugs (Dia. 1A)	Lugs (Dia. 1A)
75	Dia. 3	Dia. 2	Dia. 2	Dia. 2	Lugs	Lugs	Lugs	Lugs	Lugs	Lugs	Lugs (Dia. 1A)	Lugs (Dia. 1A)
100	Dia. 3	Dia. 2	Dia. 2	Dia. 2	Dia. 2	Dia. 2	Lugs	Lugs	Lugs	Lugs	Lugs (Dia. 1A)	Lugs (Dia. 1A)
150	Dia. 3	Dia. 3	Dia. 3	Dia. 3	Dia. 2	Dia. 2	Dia. 2	Dia. 2	Dia. 2	Lugs	Lugs (Dia. 1A)	Lugs (Dia. 1A)
167	Dia. 3	Dia. 3	Dia. 3	Dia. 3	Dia. 3	Dia. 2	Dia. 3	Dia. 3	Dia. 3	Dia. 2	Lugs (Dia. 1A)	Lugs (Dia. 1A)
250	Dia 6	Dia. 3	Dia. 3	Dia. 3	Dia. 3	Dia. 3	Dia. 3	Dia. 3	Dia. 3	Dia. 2	Lugs (Dia. 1B)	Lugs (Dia. 1A)
333	Dia 6	Dia.4	Dia.4	Dia.4	Dia.4	Dia.4	Dia.3	Dia.3	Dia.3	Dia.3	Lugs (Dia. 1B)	Lugs (Dia. 1A)

### THREE PHASE, ALUMINUM AND COPPER TERMINATION - LUGS OR PADS

kVA	VOLTAGE										
	208	230	240	277	380	416	480	600	2400	4160	
2	Leads	Leads	Leads	Leads	Leads	Leads	Leads	Leads	-	-	
3	Leads	Leads	Leads	Leads	Leads	Leads	Leads	Leads	-	-	
6	Leads	Leads	Leads	Leads	Leads	Leads	Leads	Leads	-	-	
9	Lugs	Lugs	Lugs	Lugs	Lugs	Lugs	Lugs	Lugs	-	-	
15	Lugs	Lugs	Lugs	Lugs	Lugs	Lugs	Lugs	Lugs	Lugs (Dia. 1A)	Lugs (Dia. 1A)	
30	Lugs	Lugs	Lugs	Lugs	Lugs	Lugs	Lugs	Lugs	Lugs (Dia. 1A)	Lugs (Dia. 1A)	
45	Lugs	Lugs	Lugs	Lugs	Lugs	Lugs	Lugs	Lugs	Lugs (Dia. 1A)	Lugs (Dia. 1A)	
75	Lugs	Lugs	Lugs	Lugs	Lugs	Lugs	Lugs	Lugs	Lugs (Dia. 1A)	Lugs (Dia. 1A)	
112.5	Lugs**	Dia. 1B	Lugs	Lugs	Lugs	Lugs	Lugs	Lugs	Lugs (Dia. 1A)	Lugs (Dia. 1A)	
150	Dia. 1B	Dia. 1B	Dia. 1B	Dia. 1B	Lugs	Lugs	Lugs	Lugs	Lugs (Dia. 1A)	Lugs (Dia. 1A)	
225	Dia. 2	Dia. 1B	Dia. 1B	Dia. 1B	Dia. 1B	Dia. 1B	Lugs	Lugs	Lugs (Dia. 1A)	Lugs (Dia. 1A)	
300	Dia. 2	Dia. 2	Dia. 2	Dia. 2	Dia. 1B	Dia. 1B	Dia. 1B	Dia. 1B	Lugs (Dia. 1A)	Lugs (Dia. 1A)	
500	Dia. 3	Dia. 3	Dia. 3	Dia. 3	Dia. 3	Dia. 2	Dia. 2	Dia. 1B	Lugs (Dia. 1A)	Lugs (Dia. 1A)	
600	Dia. 3	Dia. 3	Dia. 3	Dia. 3	Dia. 3	Dia. 2	Dia. 2	Dia. 1B	Lugs (Dia. 1A)	Lugs (Dia. 1A)	
750	Dia. 3	Dia. 3	Dia. 3	Dia. 3	Dia. 3	Dia. 3	Dia. 3	Dia. 2	Lugs (Dia. 1B)	Lugs (Dia. 1A)	
1000	Dia.4	Dia.4	Dia.4	Dia.4	Dia.3	Dia.3	Dia.3	Dia.3	Lugs (Dia. 1B)	Lugs (Dia. 1B)	
1250	Dia 5	Dia 5	Dia 5	Dia 5	Dia.4	Dia.4	Dia.4	Dia.4	Dia. 1B	Lugs (Dia. 1B)	
1500	Dia 6	Dia 6	Dia 6	Dia 6	Dia.4	Dia.4	Dia.4	Dia.4	Dia. 2	Lugs (Dia. 2)	

\*\* Lugs only supplied standard on 600V primary to 208Y/120V secondary units.(excluding K-Factor transformers)  
All other voltages supplied standard with Diagram 1B pads.



GENERAL INFORMATION

Note: For DOE 2016 product information please see the HPS Sentinel® Energy Efficient Distribution Transformer Selection Guide (DOESEL15) or the HPS Millennium™ G Medium Voltage Transformer Selection Guide (MILGMED15)



# GENERAL INFORMATION

## ELECTRICAL SCHEMATICS AND CONNECTION DIAGRAMS

### SCD 1

SCHEMATIC				CONNECTIONS			
				<b>Primary Volts</b>		<b>Connect lines to</b>	<b>Inter-connect</b>
				240	480	416	H1, H4
		120	240	208	H1, H4	H1-H3, H2-H4	
		<b>Secondary Volts</b>		<b>Connect lines to</b>	<b>Inter-connect</b>		
		24	32	48	240	X1, X4	X2-X3
		12/24	16/32	24/48	120/240	X1, X2, X4	X2-X3
		12	16	24	120	X1, X2	X2-X4, X1-X3

### SCD 2

SCHEMATIC				CONNECTIONS									
				<b>Primary Volts</b>			<b>Connect lines to</b>	<b>Inter-connect</b>					
				504	440	437	218	291	277	440	H1, H2	1-2	
				492		426	213	284				H1, H2	2-3
				480	416	416	208	277	240	416	H1, H2	3-4	
				468		406	203	270				H1, H2	4-5
				456	400	395	198	263	208	400	H1, H2	5-6	
				444		385	192	256				H1, H2	6-7
				432	380	374	187	249	120	380	H1, H2	7-8	
						220						H1, H2	H1-2, H2-1
						240	208	208				H1, H2	H1-4, H2-3
		228	200	198				H1, H2	H1-6, H2-5				
		216	190	187				H1, H2	H1-8, H2-7				
		<b>Secondary Volts</b>			<b>Connect lines to</b>	<b>Inter-connect</b>							
		240			X1, X4	X2-X3							
		120			X1, X2	X2-X4, X1-X3							
		120/240			X1, X2, X4	X2-X3							

### SCD 3

SCHEMATIC		CONNECTIONS			
		<b>Primary Volts</b>		<b>Connect lines to</b>	<b>Inter-connect</b>
		630		H1, H2, H3	1-H1, 1-H2, 1-H3
		615		H1, H2, H3	2-H1, 2-H2, 2-H3
		600		H1, H2, H3	3-H1, 3-H2, 3-H3
		585		H1, H2, H3	4-H1, 4-H2, 4-H3
		570		H1, H2, H3	5-H1, 5-H2, 5-H3
		480		H1, H2, H3	6-H1, 6-H2, 6-H3
		456		H1, H2, H3	7-H1, 7-H2, 7-H3
		432		H1, H2, H3	8-H1, 8-H2, 8-H3
				<b>Secondary Volts</b>	
208		480	X1, X2, X3	-	
120		120	X1, X0	-	
			X2, X0	-	
			X3, X0	-	

GENERAL INFORMATION

Note: For DOE 2016 product information please see the HPS Sentinel® Energy Efficient Distribution Transformer Selection Guide (DOESEL15) or the HPS Millennium™ G Medium Voltage Transformer Selection Guide (MILGMED15)



# GENERAL INFORMATION

## ELECTRICAL SCHEMATICS AND CONNECTION DIAGRAMS

### SCD 4

SCHEMATIC	CONNECTIONS		
	Primary Volts	Connect lines to	Inter-connect
	208 277 347 380 416 600 2400 3300 4160 4800 6600 7200	H1, H2	---
	Secondary Volts	Connect lines to	Inter-connect
	240 120/240 120	24 12/24 12	X1, X4 X1, X2, X4 X1, X2

### SCD 5

SCHEMATIC	CONNECTIONS		
	Primary Volts	Connect lines to	Inter-connect
	120 208 240 277 380 416 480 600	H1, H2	1-2
	114 198 228 263 361 395 156 570	H1, H2	2-3
	108 188 216 249 347 374 432 540	H1, H2	3-4
	Secondary Volts	Connect lines to	Inter-connect
	240 120/240 120	X1, X4 X1, X2, X4 X1, X2	X2-X3 X2-X3 X2-X4, X1-X3

### SCD 6

SCHEMATIC	CONNECTIONS		
	Primary Volts	Connect lines to	Inter-connect
	218 277 291 437 504 630 2520 4368	H1, H2	1-2
	213 - 284 426 492 615 2460 4264	H1, H2	2-3
	208 240 277 416 480 600 2400 4160	H1, H2	3-4
	203 - 270 406 468 585 2340 4056	H1, H2	4-5
	198 208 263 395 456 570 2280 3952	H1, H2	5-6
	Secondary Volts	Connect lines to	Inter-connect
	240 120/240 120	X1, X4 X1, X2, X4 X1, X2	X2-X3 X2-X3 X2-X4, X1-X3

### SCD 7

SCHEMATIC	CONNECTIONS		
	Primary Volts	Connect lines to	Inter-connect
	208 218 242 252 437 480 483 504 604 630	H1, H2, H3	1
	198 208 230 240 416 456 460 480 575 600	H1, H2, H3	2
	187 198 219 228 395 432 437 456 546 570	H1, H2, H3	3
	Secondary Volts	Connect lines to	Inter-connect
	208 230 240 380 416 460 480 600	X1, X2, X3	
	120 133 139 220 240 265 277 347	X1, X0 X2, X0 X3, X0	

Note: For DOE 2016 product information please see the HPS Sentinel® Energy Efficient Distribution Transformer Selection Guide (DOESEL15) or the HPS Millennium™ G Medium Voltage Transformer Selection Guide (MILGMED15)



# GENERAL INFORMATION

## ELECTRICAL SCHEMATICS AND CONNECTION DIAGRAMS

### SCD 8

SCHEMATIC	CONNECTIONS												
	Primary Volts		Connect lines to	Inter-connect									
	218	242	252	437	483	504	604	630	2520	4368	H1, H2, H3	1-2	
	208	230	240	416	460	480	575	600	2400	4160	H1, H2, H3	2-3	
	198	219	228	395	437	456	546	570	2280	3952	H1, H2, H3	3-4	
	Secondary Volts		Connect lines to		Inter-connect								
	208	230	240	380	416	460	480	600				X1, X2, X3	
	120	133	139	220	240	265	277	347	X1, X0	X2, X0	X3, X0		

### SCD 9

SCHEMATIC	CONNECTIONS												
	Primary Volts		Connect lines to	Inter-connect									
	218	242	252	437	483	504	604	630	H1, H2, H3	1			
	213	236	246	426	472	492	589	615	H1, H2, H3	2			
	208	230	240	416	460	480	575	600	H1, H2, H3	3			
	203	224	234	406	449	468	561	585	H1, H2, H3	4			
	198	219	228	395	437	456	546	570	H1, H2, H3	5			
	Secondary Volts		Connect lines to		Inter-connect								
	208	380	416	480	600				X1, X2, X3	-			
	120	220	240	277	347				X1, X0	-			
										X2, X0	-		
										X3, X0	-		

### SCD 10

SCHEMATIC	CONNECTIONS												
	Primary Volts		Connect lines to	Inter-connect									
	218	242	252	437	483	504	604	630	2520	4368	H1, H2, H3	1-2	
	213	236	246	426	472	492	589	615	2460	4264	H1, H2, H3	2-3	
	208	230	240	416	460	480	575	600	2400	4160	H1, H2, H3	3-4	
	203	224	234	406	449	468	561	585	2340	4056	H1, H2, H3	4-5	
	198	219	228	395	437	456	546	570	2280	3952	H1, H2, H3	5-6	
		Secondary Volts		Connect lines to		Inter-connect							
	208	380	416	480	600				X1, X2, X3	-			
	120	220	240	277	347				X1, X0	-			
										X2, X0	-		
										X3, X0	-		

GENERAL INFORMATION

Note: For DOE 2016 product information please see the HPS Sentinel® Energy Efficient Distribution Transformer Selection Guide (DOESEL15) or the HPS Millennium™ G Medium Voltage Transformer Selection Guide (MILGMED15)



# GENERAL INFORMATION

## ELECTRICAL SCHEMATICS AND CONNECTION DIAGRAMS

### SCD 11

SCHEMATIC	CONNECTIONS		
	Primary Volts	Connect lines to	Inter-connect
	630	H1, H2, H3	1-H1, 1-H2, 1-H3
	615	H1, H2, H3	2-H1, 2-H2, 2-H3
	600	H1, H2, H3	3-H1, 3-H2, 3-H3
	585	H1, H2, H3	4-H1, 4-H2, 4-H3
	570	H1, H2, H3	5-H1, 5-H2, 5-H3
	504	H1, H2, H3	6-H1, 6-H2, 6-H3
	492	H1, H2, H3	7-H1, 7-H2, 7-H3
	480	H1, H2, H3	8-H1, 8-H2, 8-H3
	468	H1, H2, H3	9-H1, 9-H2, 9-H3
	456	H1, H2, H3	10-H1, 10-H2, 10-H3
	Secondary Volts	Connect lines to	Inter-connect
	208 480	X1, X2, X3	-
	120 277	X1, X0	-
		X2, X0	-
	X3, X0	-	

### SCD 12

SCHEMATIC	CONNECTIONS		
	Primary Volts	Connect lines to	Inter-connect
	480 600	H1, H2, H3	1-2
	456 570	H1, H2, H3	2-3
	432 540	H1, H2, H3	3-4
Secondary Volts	Connect lines to	Inter-connect	
240	X1, X2, X3	-	

### SCD 13

SCHEMATIC	CONNECTIONS		
	Primary Volts	Connect lines to	Inter-connect
	480 600	H1, H2, H3	1-2
	456 570	H1, H2, H3	2-3
	432 540	H1, H2, H3	3-4
Secondary Volts	Connect lines to	Inter-connect	
240	X1, X2, X3	-	
120	X1, X6	-	
	X3, X6	-	

### SCD 14

SCHEMATIC	CONNECTIONS		
	Connect to	Step Down	Step Up
	Lines from Supply	H1, H2, H3	X1, X2, X3
	Lines to Load	X1, X2, X3	H1, H2, H3

Note: For DOE 2016 product information please see the HPS Sentinel® Energy Efficient Distribution Transformer Selection Guide (DOESEL15) or the HPS Millennium™ G Medium Voltage Transformer Selection Guide (MILGMED15)



GENERAL INFORMATION



# GENERAL INFORMATION

## ELECTRICAL SCHEMATICS AND CONNECTION DIAGRAMS

### SCD 15

SCHEMATIC	CONNECTIONS		
	Connect to	Step Down	Step Up
	Lines from Supply	H1, H2, H3	X1, X2, X3
	Lines to Load	X1, X2, X3	H1, H2, H3

### SCD 16

SCHEMATIC	CONNECTIONS		
	Primary Volts	Connect lines to	Inter-connect
	504 630	H1, H2, H3	1
	492 615	H1, H2, H3	2
	480 600	H1, H2, H3	3
	468 585	H1, H2, H3	4
	456 570	H1, H2, H3	5
Secondary Volts	Connect lines to	Inter-connect	
240	X1, X2, X3	-	

### SCD 17

SCHEMATIC	CONNECTIONS		
	Primary Volts	Connect lines to	Inter-connect
	504	H1, H4	1-H2, 2-H3, H2-H3
	492	H1, H4	3-H2, 2-H3, H2-H3
	480	H1, H4	3-H2, 4-H3, H2-H3
	468	H1, H4	5-H2, 4-H3, H2-H3
	456	H1, H4	5-H2, 6-H3, H2-H3
	444	H1, H4	7-H2, 6-H3, H2-H3
	432	H1, H4	7-H2, 8-H3, H2-H3
	252	H1, H4	1-H2, 2-H3, H1-H3, H2-H4
	240	H1, H4	3-H2, 4-H3, H1-H3, H2-H4
	228	H1, H4	5-H2, 6-H3, H1-H3, H2-H4
	216	H1, H4	7-H2, 8-H3, H1-H3, H2-H4
	Secondary Volts	Connect lines to	Inter-connect
	240	X1, X4	X2-X3
120	X1, X2	X2-X4, X1-X3	
120/240	X1, X2, X4	X2-X3	

### SCD 18

SCHEMATIC	CONNECTIONS		
	Primary Volts	Connect lines to	Inter-connect
	218 252 277 291 437 504 630	H1, H4	-
	208 240 240 277 416 480 600	H1, H3	-
	198 228 208 263 395 456 570	H1, H2	-
Secondary Volts	Connect lines to	Inter-connect	
240	X1, X4	X2-X3	
120	X1, X2	X2-X4, X1-X3	
120/240	X1, X2, X4	X2-X3	

GENERAL INFORMATION

Note: For DOE 2016 product information please see the HPS Sentinel® Energy Efficient Distribution Transformer Selection Guide (DOESEL15) or the HPS Millennium™ G Medium Voltage Transformer Selection Guide (MILGMED15)



# GENERAL INFORMATION

## ELECTRICAL SCHEMATICS AND CONNECTION DIAGRAMS

### SCD 19

SCHEMATIC			CONNECTIONS				
			Primary Volts		Inter-connect		
			218	504	630	H1, H2, H3	1-H1, 1-H2, 1-H3
			213	492	615	H1, H2, H3	2-H1, 2-H2, 2-H3
208	480	600	H1, H2, H3	3-H1, 3-H2, 3-H3			
203	468	585	H1, H2, H3	4-H1, 4-H2, 4-H3			
198	456	570	H1, H2, H3	5-H1, 5-H2, 5-H3			
193	444	556	H1, H2, H3	6-H1, 6-H2, 6-H3			
188	432	542	H1, H2, H3	7-H1, 7-H2, 7-H3			
Secondary Volts		Connect lines to		Inter-connect			
208	480	X1, X2, X3		-			
120	277	X1, X0   X2, X0   X3, X0		-			

### SCD 20

SCHEMATIC			CONNECTIONS				
			Primary Volts		Inter-connect		
			218	504	630	H1, H2, H3	1-2
			213	492	600	H1, H2, H3	2-3
208	480	570	H1, H2, H3	3-4			
203	468	570	H1, H2, H3	4-5			
198	456	504	H1, H2, H3	5-6			
193	444	480	H1, H2, H3	6-7			
188	432	456	H1, H2, H3	7-8			
Secondary Volts		Connect lines to		Inter-connect			
208	480	X1, X2, X3		-			
120	277	X1, X0   X2, X0   X3, X0		-			

### SCD 21

SCHEMATIC			CONNECTIONS			
			Primary Volts		Inter-connect	
			504	H1, H2, H3		1-H1, 1-H2, 1-H3
			492	H1, H2, H3		2-H1, 2-H2, 2-H3
480	H1, H2, H3		3-H1, 3-H2, 3-H3			
468	H1, H2, H3		4-H1, 4-H2, 4-H3			
456	H1, H2, H3		5-H1, 5-H2, 5-H3			
444	H1, H2, H3		6-H1, 6-H2, 6-H3			
432	H1, H2, H3		7-H1, 7-H2, 7-H3			
Secondary Volts		Connect lines to		Inter-connect		
240	X1, X2, X3		-			
120	X1, X6		-			
	X3, X6		-			

### SCD 22

SCHEMATIC			CONNECTIONS			
			Primary Volts		Inter-connect	
			504	H1, H2, H3		1-2
			492	H1, H2, H3		2-3
480	H1, H2, H3		3-4			
468	H1, H2, H3		4-5			
456	H1, H2, H3		5-6			
444	H1, H2, H3		6-7			
432	H1, H2, H3		7-8			
Secondary Volts		Connect lines to		Inter-connect		
240	X1, X2, X3		-			
120	X1, X6		-			
	X3, X6		-			

Note: For DOE 2016 product information please see the HPS Sentinel® Energy Efficient Distribution Transformer Selection Guide (DOESEL15) or the HPS Millennium™ G Medium Voltage Transformer Selection Guide (MILGMED15)



# GENERAL INFORMATION

## ELECTRICAL SCHEMATICS AND CONNECTION DIAGRAMS

### SCD 23

SCHEMATIC		CONNECTIONS				
		<b>Primary Volts</b>				
		208	240	252	Connect lines to X1, X2, X3	Inter-connect 1-2
		198	228	240	X1, X2, X3	2-3
		188	216	228	X1, X2, X3	3-4
		<b>Secondary Volts</b>			<b>Inter-connect</b>	
		230	260	460	480	H1, H2, H3
		133	139	265	277	H1, H0 H2, H0 H3, H0

### SCD 24

SCHEMATIC		CONNECTIONS		
		<b>Connect to</b>	<b>Step Down</b>	<b>Step Up</b>
		Lines from Supply	H1, H2, H3	X1, X2, X3
		Lines to Load	X1, X2, X3	H1, H2, H3

### SCD 25

SCHEMATIC		CONNECTIONS						
		<b>Primary Volts</b>					<b>Connect lines to</b>	<b>Inter-connect</b>
		208	240	416	480	600	H1, H2, H3	1-2
		198	228	395	456	570	H1, H2, H3	2-3
		187	216	374	432	540	H1, H2, H3	3-4
		<b>Secondary Volts</b>					<b>Connect lines to</b>	<b>Inter-connect</b>
		208	380	416	480	600	X1, X2, X3	-
		120	220	240	277	347	X1, X0 X2, X0 X3, X0	-

### SCD 26

SCHEMATIC		CONNECTIONS				
		<b>Primary Volts</b>				
		218	252	Connect lines to X1, X2, X3	Inter-connect 1	
		213	246	X1, X2, X3	2	
		208	240	X1, X2, X3	3	
		203	234	X1, X2, X3	4	
		198	228	X1, X2, X3	5	
		<b>Secondary Volts</b>			<b>Connect lines to</b>	<b>Inter-connect</b>
		460	480	600	H1, H2, H3	-
		265	277	347	H1, H0 H2, H0 H3, H0	-

### SCD 27

SCHEMATIC		CONNECTIONS				
		<b>Primary Volts</b>				
		630	Connect lines to H1, H2, H3	Inter-connect 1-2		
		600	H1, H2, H3	2-3		
		570	H1, H2, H3	3-4		
		<b>Secondary Volts</b>			<b>Connect lines to</b>	<b>Inter-connect</b>
		240	X1, X2, X3		-	

GENERAL INFORMATION

Note: For DOE 2016 product information please see the HPS Sentinel® Energy Efficient Distribution Transformer Selection Guide (DOESEL15) or the HPS Millennium™ G Medium Voltage Transformer Selection Guide (MILGMED15)



# GENERAL INFORMATION

## ELECTRICAL SCHEMATICS AND CONNECTION DIAGRAMS

### SCD 28

SCHEMATIC	CONNECTIONS		
	Primary Volts	Connect lines to	Inter-connect
	480 (60Hz)	H1, H10	H5-H6
	440	H1, H10	H5-H6
	416	H1, H9	H4-H6
	400	H1, H8	H3-H6
	380	H1, H7	H2-H6
	240 (60Hz)	H1, H10	H1-H6, H5-H10
	220	H1, H10	H1-H6, H5-H10
	208	H1, H9	H1-H6, H5-H10
	200	H1, H8	H1-H6, H3-H8
	190	H1, H7	H1-H6, H2-H7
	Secondary Volts	Connect lines to	Inter-connect
	240	X1, X4	X2-X3
	120/240	X1, X2, X4	X2-X3
	120	X1, X4	X2-X4, X1-X3

### SCD 29

SCHEMATIC	CONNECTIONS			
	Primary Volts	Connect lines to	Inter-connect	
	630	504	H1, H2, H3	1-2
	615	492	H1, H2, H3	2-3
	600	480	H1, H2, H3	3-4
	585	468	H1, H2, H3	4-5
	570	456	H1, H2, H3	5-6
	Secondary Volts	Connect lines to	Inter-connect	
240	X1, X2, X3			

### SCD 30

SCHEMATIC	CONNECTIONS		
	Primary Volts	Connect lines to	Inter-connect
	440	H1, H4	1-H2, 2-H3, H2-H3
	416	H1, H4	3-H2, 4-H3, H2-H3
	400	H1, H4	5-H2, 6-H3, H2-H3
	380	H1, H4	7-H2, 8-H3, H2-H3
	220	H1, H4	1-H2, 2-H3, H1-H3, H2-H4
	208	H1, H4	3-H2, 4-H3, H1-H3, H2-H4
	200	H1, H4	5-H2, 6-H3, H1-H3, H2-H4
	190	H1, H4	7-H2, 8-H3, H1-H3, H2-H4
	Secondary Volts	Connect lines to	Inter-connect
	240	X1, X4	X2-X3
	120	X1, X2	X2-X4, X1-X3
120/240	X1, X2, X4	X2-X3	

GENERAL INFORMATION

Note: For DOE 2016 product information please see the HPS Sentinel® Energy Efficient Distribution Transformer Selection Guide (DOESEL15) or the HPS Millennium™ G Medium Voltage Transformer Selection Guide (MILGMED15)



# GENERAL INFORMATION

## ELECTRICAL SCHEMATICS AND CONNECTION DIAGRAMS

### SCD 31

SCHEMATIC		CONNECTIONS		
		<b>Primary Volts</b>	<b>Connect lines to</b>	<b>Inter-connect</b>
		218 291 437 504 630	H1, H6	-
		213 284 423 492 615	H1, H5	-
		208 277 416 480 600	H2, H5	-
		203 270 406 468 585	H2, H4	-
		198 263 395 456 570	H3, H4	-
		<b>Secondary Volts</b>	<b>Connect lines to</b>	<b>Inter-connect</b>
		240	X1, X4	X2-X3
		120/240	X1, X2, X4	X2-X3
		120	X1, X2	X2-X4, X1-X3

### SCD 32

SCHEMATIC		CONNECTIONS		
		<b>Primary Volts</b>	<b>Connect lines to</b>	<b>Inter-connect</b>
		208 277 416 480 600	H1, H4	-
		198 263 395 456 570	H1, H3	-
		188 249 374 432 540	H2, H3	-
		<b>Secondary Volts</b>	<b>Connect lines to</b>	<b>Inter-connect</b>
		240	X1, X4	X2-X3
		120/240	X1, X2, X4	X2-X3
		120	X1, X2	X2-X4, X1-X3

### SCD 33

SCHEMATIC		CONNECTIONS		
		<b>Primary Volts</b>	<b>Connect lines to</b>	<b>Inter-connect</b>
		380	H1, H3	-
		347	H1, H2	-
		<b>Secondary Volts</b>	<b>Connect lines to</b>	<b>Inter-connect</b>
		240	X1, X4	X2-X3
		120/240	X1, X2, X4	X2-X3
		120	X1, X2	X2-X4, X1-X3

### SCD 34

SCHEMATIC		CONNECTIONS		
		<b>Primary Volts</b>	<b>Connect lines to</b>	<b>Inter-connect</b>
		480	H1, H4	1-H2, 2-H3, H2-H3
		456	H1, H4	2-H3, 3-H2, H2-H3
		432	H1, H4	3-H2, 4-H3, H2-H3
		240	H1, H4	1-H2, 2-H3, H1-H3, H2-H4
		216	H1, H4	3-H2, 4-H3, H1-H3, H2-H4
		<b>Secondary Volts</b>	<b>Connect lines to</b>	<b>Inter-connect</b>
		240	X1, X4	X2-X3
		120/240	X1, X2, X4	X2-X3
		120	X1, X2	X2-X4, X1-X3

GENERAL INFORMATION

Note: For DOE 2016 product information please see the HPS Sentinel® Energy Efficient Distribution Transformer Selection Guide (DOESEL15) or the HPS Millennium™ G Medium Voltage Transformer Selection Guide (MILGMED15)



# GENERAL INFORMATION

## ELECTRICAL SCHEMATICS AND CONNECTION DIAGRAMS

### SCD 35

SCHEMATIC		CONNECTIONS			
	<b>Primary Volts</b>			<b>Connect lines to</b>	<b>Inter-connect</b>
	218*	504	630	H1, H2, H3	1-H1, 1-H2, 1-H3
	213*	492	615	H1, H2, H3	2-H1, 2-H2, 2-H3
	208*	480	600	H1, H2, H3	3-H1, 3-H2, 3-H3
203*	468	585	H1, H2, H3	4-H1, 4-H2, 4-H3	
198*	456	570	H1, H2, H3	5-H1, 5-H2, 5-H3	
<b>Secondary Volts</b>			<b>Connect lines to</b>	<b>Inter-connect</b>	
208	480	600	X1, X2, X3	-	
120	277	347	X1, X0 X2, X0 X3, X0	-	

\* Standard 2-2.5% FCAN and 2-2.5% FCBN primary taps for 208V H2EM units only available up to 75 kVA. Please consult factory for standard taps on 208V primary units over 75 kVA.

### SCD 36

SCHEMATIC		CONNECTIONS			
	<b>Primary Volts</b>			<b>Connect lines to</b>	<b>Inter-connect</b>
	218*	504	630	H1, H2, H3	1-2
	213*	492	615	H1, H2, H3	2-3
	208*	480	600	H1, H2, H3	3-4
	203*	468	585	H1, H2, H3	4-5
	198*	456	570	H1, H2, H3	5-6
	<b>Secondary Volts</b>			<b>Connect lines to</b>	<b>Inter-connect</b>
208	480	600	X1, X2, X3	-	
120	277	347	Y1, Y2, Y3	-	
			X1, X0/Y0	-	
			X2, X0/Y0	-	
			X3, X0/Y0	-	
			Y1, X0/Y0	-	
			Y2, X0/Y0	-	
			Y3, X0/Y0	-	

\* Standard 2-2.5% FCAN and 2-2.5% FCBN primary taps for 208V H2EM units only available up to 75 kVA. Please consult factory for standard taps on 208V primary units over 75 kVA.

### SCD 37

SCHEMATIC		CONNECTIONS			
	<b>Primary Volts</b>			<b>Connect lines to</b>	<b>Inter-connect</b>
	480			H1, H2, H3	1
	456			H1, H2, H3	2
	432			H1, H2, H3	3
<b>Secondary Volts</b>			<b>Connect lines to</b>	<b>Inter-connect</b>	
240			X1, X2, X3	-	

Note: For DOE 2016 product information please see the HPS Sentinel® Energy Efficient Distribution Transformer Selection Guide (DOESEL15) or the HPS Millennium™ G Medium Voltage Transformer Selection Guide (MILGMED15)



# GENERAL INFORMATION

## ELECTRICAL SCHEMATICS AND CONNECTION DIAGRAMS

### SCD 38

SCHEMATIC		CONNECTIONS		
	<b>Primary Volts</b>	<b>Connect lines to</b>	<b>Inter-connect</b>	
	504	H1, H2, H3	1	
	492	H1, H2, H3	2	
	480	H1, H2, H3	3	
	468	H1, H2, H3	4	
	456	H1, H2, H3	5	
	444	H1, H2, H3	6	
	432	H1, H2, H3	7	
	<b>Secondary Volts</b>	<b>Connect lines to</b>	<b>Inter-connect</b>	
	240	X1, X2, X3	-	

### SCD 39

SCHEMATIC		CONNECTIONS		
	<b>Primary Volts</b>	<b>Connect lines to</b>	<b>Inter-connect</b>	
	218 291 437 504 630	H1, H2	1	
	213 284 426 492 615	H1, H2	2	
	208 277 416 480 600	H1, H2	3	
	203 270 406 468 585	H1, H2	4	
	198 263 395 456 570	H1, H2	5	
	<b>Secondary Volts</b>	<b>Connect lines to</b>	<b>Inter-connect</b>	
	240	X1, X4	X2-X3	
	120/240	X1, X2, X4	X2-X3	
	120	X1, X2	X2-X4, X1-X3	

### SCD 40

SCHEMATIC		CONNECTIONS		
	<b>Primary Volts</b>	<b>Connect lines to</b>	<b>Inter-connect</b>	
	208 240	X1, X2, X3	1	
	198 228	X1, X2, X3	2	
	188 216	X1, X2, X3	3	
	<b>Secondary Volts</b>	<b>Connect lines to</b>	<b>Inter-connect</b>	
	230 260 460 480		H1, H2, H3	
	133 139 265 277		H1, H0 H2, H0 H3, H0	

### SCD 41

SCHEMATIC		CONNECTIONS		
	<b>Primary Volts</b>	<b>Connect lines to</b>	<b>Inter-connect</b>	
	277	H1, H5	-	
	240	H1, H4	-	
	208	H1, H3	-	
	120	H1, H2	-	
	<b>Secondary Volts</b>	<b>Connect lines to</b>	<b>Inter-connect</b>	
	240	X1, X4	X2-X3	
	120/240	X1, X2, X4	X2-X3	
	120	X1, X2	X2-X4, X1-X3	

GENERAL INFORMATION

Note: For DOE 2016 product information please see the HPS Sentinel® Energy Efficient Distribution Transformer Selection Guide (DOESEL15) or the HPS Millennium™ G Medium Voltage Transformer Selection Guide (MILGMED15)



# GENERAL INFORMATION

## ELECTRICAL SCHEMATICS AND CONNECTION DIAGRAMS

### SCD 42

SCHEMATIC	CONNECTIONS		
	<b>Primary Volts</b>	<b>Connect lines to</b>	<b>Inter-connect</b>
	480	H1, H3	-
	277	H1, H2	-
	<b>Secondary Volts</b>	<b>Connect lines to</b>	<b>Inter-connect</b>
277	X1, X3	-	
208	X1, X2	-	

### SCD 43

SCHEMATIC	CONNECTIONS		
	<b>Primary Volts</b>	<b>Connect lines to</b>	<b>Inter-connect</b>
	480	H1, H2	1-2
	277	H1, H2	3-4
	<b>Secondary Volts</b>	<b>Connect lines to</b>	<b>Inter-connect</b>
277	X1, X2	X5-X6	
208	X1, X2	X3-X4	

### SCD 44

SCHEMATIC	CONNECTIONS		
	<b>Primary Volts</b>	<b>Connect lines to</b>	<b>Inter-connect</b>
	380	H1, H2	1-2
	347	H1, H2	3-4
	<b>Secondary Volts</b>	<b>Connect lines to</b>	<b>Inter-connect</b>
	240	X1, X4	X2-X3
	120/240	X1, X2, X4	X2-X3
120	X1, X2	X2-X4, X1-X3	

### SCD 45

SCHEMATIC	CONNECTIONS		
	<b>Primary Volts</b>	<b>Connect lines to</b>	<b>Inter-connect</b>
	630	H1, H2, H3	1
	615	H1, H2, H3	2
	600	H1, H2, H3	3
	585	H1, H2, H3	4
	570	H1, H2, H3	5
<b>Secondary Volts</b>	<b>Connect lines to</b>	<b>Inter-connect</b>	
240	X1, X2, X3	-	

GENERAL INFORMATION

Note: For DOE 2016 product information please see the HPS Sentinel® Energy Efficient Distribution Transformer Selection Guide (DOESEL15) or the HPS Millennium™ G Medium Voltage Transformer Selection Guide (MILGMED15)





# GENERAL INFORMATION

## ELECTRICAL SCHEMATICS AND CONNECTION DIAGRAMS

### SCD 46

SCHEMATIC	CONNECTIONS		
	Primary Volts	Connect lines to	Inter-connect
	480 (60Hz)	H1, H2	1-2
	440	H1, H2	1-2
	416	H1, H2	3-4
	400	H1, H2	5-6
	380	H1, H2	7-8
	240 (60Hz)	H1, H2	H1-2, H2-1
	220	H1, H2	H1-2, H2-1
	208	H1, H2	H1-4, H2-3
	200	H1, H2	H1-6, H2-5
	190	H1, H2	H1-8, H2-7
	Secondary Volts	Connect lines to	Inter-connect
	240	X1, X4	X2-X3
	120	X1, X2	X2-X4, X1-X3
	120/240	X1, X2, X4	X2-X3

### SCD 47

SCHEMATIC	CONNECTIONS		
	Primary Volts	Connect lines to	Inter-connect
	630	H1, H2, H3	1-H1, 1-H2, 1-H3
	615	H1, H2, H3	2-H1, 2-H2, 2-H3
	600	H1, H2, H3	3-H1, 3-H2, 3-H3
	585	H1, H2, H3	4-H1, 4-H2, 4-H3
	570	H1, H2, H3	5-H1, 5-H2, 5-H3
	480	H1, H2, H3	6-H1, 6-H2, 6-H3
	456	H1, H2, H3	7-H1, 7-H2, 7-H3
	432	H1, H2, H3	8-H1, 8-H2, 8-H3
	Secondary Volts	Connect lines to	Inter-connect
	480	X1, X2, X3	-
	277	X1, X0   X2, X0   X3, X0	-

### SCD 48

SCHEMATIC	CONNECTIONS		
	Primary Volts	Connect lines to	Inter-connect
	347	H1, H2	H2-3 & 4
	380	H1, H2	H2-1 & 2
	Secondary Volts	Connect lines to	Inter-connect
	240	X1, X4	X2-X3
	120	X1, X2	X1-X3, X2-X3
120/240	X1, X2, X4	X2-X3	

GENERAL INFORMATION

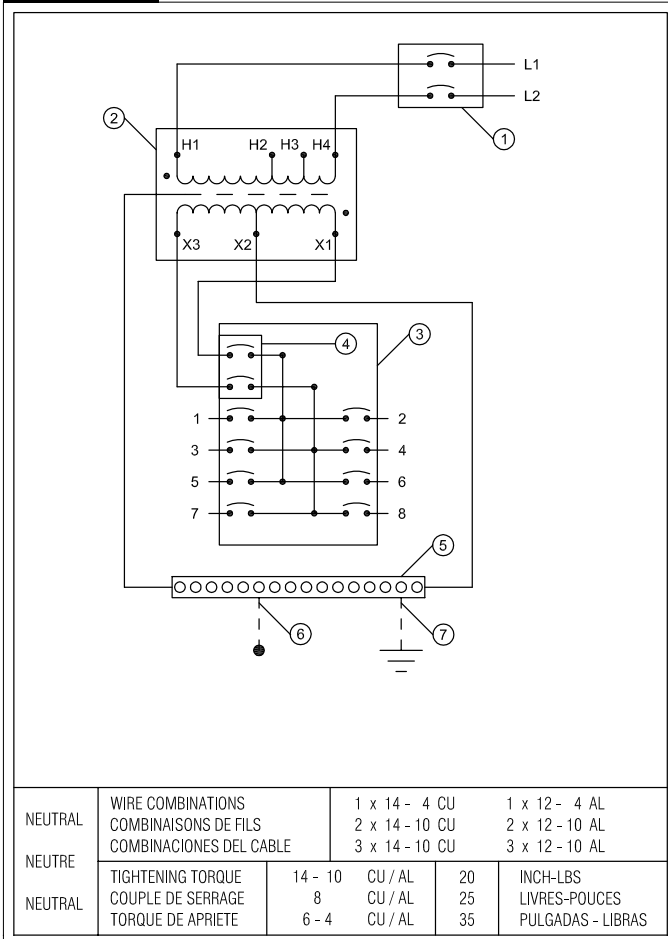
Note: For DOE 2016 product information please see the HPS Sentinel® Energy Efficient Distribution Transformer Selection Guide (DOESEL15) or the HPS Millennium™ G Medium Voltage Transformer Selection Guide (MILGMED15)



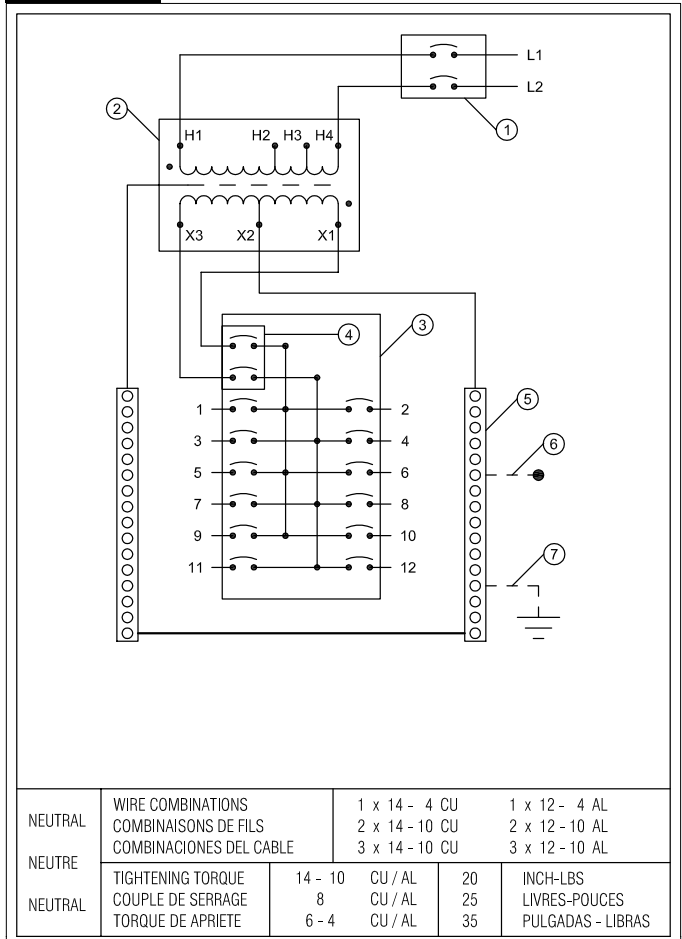
# GENERAL INFORMATION

## ELECTRICAL SCHEMATICS AND CONNECTION DIAGRAMS

### SCD 49



### SCD 50



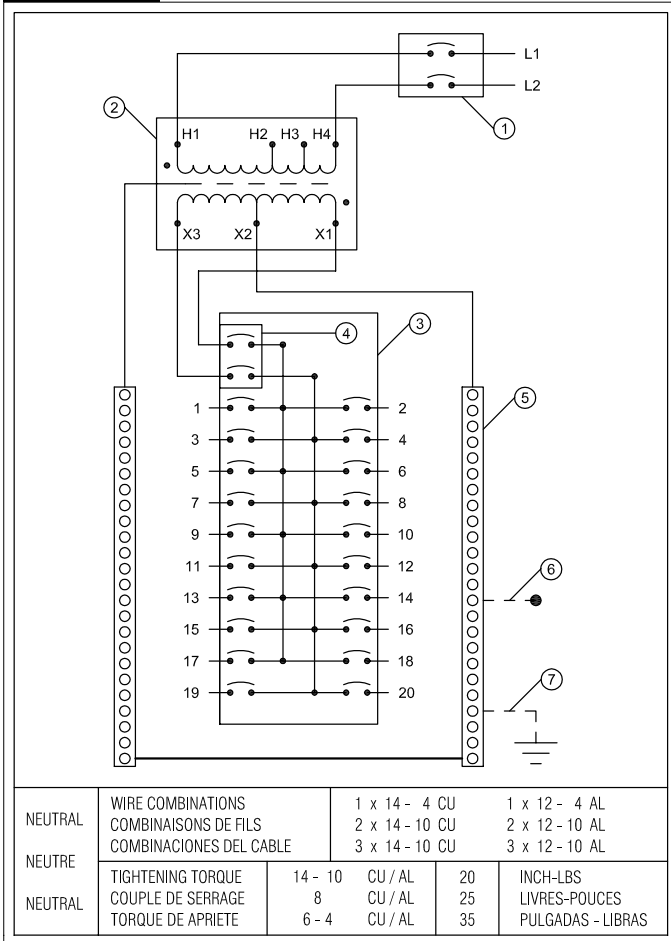
- 1 - Main Breaker
- 2 - Transformer
- 3 - Panel Board
- 4 - Panel Board Feed Breaker
- 5 - Neutral
- 6 - Bond When Required
- 7 - Ground When Required

- The maximum continuous load current not to exceed 100% of the transformer nominal current.
- The maximum continuous load current for the branch circuits not to exceed 80% of the ratings of the circuit breakers employed in other than motor circuits.
- Maximum short-circuit capacity 10,000 amps

# GENERAL INFORMATION

## ELECTRICAL SCHEMATICS AND CONNECTION DIAGRAMS

### SCD 51



- 1 - Main Breaker
- 2 - Transformer
- 3 - Panel Board
- 4 - Panel Board Feed Breaker
- 5 - Neutral
- 6 - Bond When Required
- 7 - Ground When Required

- The maximum continuous load current not to exceed 100% of the transformer nominal current.
- The maximum continuous load current for the branch circuits not to exceed 80% of the ratings of the circuit breakers employed in other than motor circuits.
- Maximum short-circuit capacity 10,000 ampls

GENERAL INFORMATION

Note: For DOE 2016 product information please see the HPS Sentinel® Energy Efficient Distribution Transformer Selection Guide (DOESEL15) or the HPS Millennium™ G Medium Voltage Transformer Selection Guide (MILGMED15)



# GENERAL INFORMATION

## ELECTRICAL SCHEMATICS AND CONNECTION DIAGRAMS

### SCD 52

SCHEMATIC	CONNECTIONS		
	Primary Volts	Connect lines to	Inter-connect
	504	H1, H2, H3	1-H1, 1-H2, 1-H3
	492	H1, H2, H3	2-H1, 2-H2, 2-H3
	480	H1, H2, H3	3-H1, 3-H2, 3-H3
	468	H1, H2, H3	4-H1, 4-H2, 4-H3
	456	H1, H2, H3	5-H1, 5-H2, 5-H3
	444	H1, H2, H3	6-H1, 6-H2, 6-H3
	432	H1, H2, H3	7-H1, 7-H2, 7-H3
	Secondary Volts	Connect lines to	Inter-connect
	430	X1, X2, X3	A-X1, A-X2, A-X3
	416	X1, X2, X3	B-X1, B-X2, B-X3
	400	X1, X2, X3	C-X1, C-X2, C-X3
	380	X1, X2, X3	D-X1, D-X2, D-X3
	248	X1-X0/X2-X0/X3-X0	A-X1, A-X2, A-X3
	240	X1-X0/X2-X0/X3-X0	B-X1, B-X2, B-X3
	231	X1-X0/X2-X0/X3-X0	C-X1, C-X2, C-X3
	219	X1-X0/X2-X0/X3-X0	D-X1, D-X2, D-X3

GENERAL INFORMATION

Note: For DOE 2016 product information please see the HPS Sentinel® Energy Efficient Distribution Transformer Selection Guide (DOESEL15) or the HPS Millennium™ G Medium Voltage Transformer Selection Guide (MILGMED15)



# GENERAL INFORMATION

## ALPHA NUMERIC PART NUMBER INDEX

Catalog Part No.	Catalog Page No.	Catalog Part No.	Catalog Page No.	Catalog Part No.	Catalog Page No.
2909B.2.....	150	3009B2.5.....	151	C1F005HRS.....	194
2909B.4.....	150	3009B3.....	151	C1F005JES.....	195
2909B.5.....	150	3009B4.....	151	C1F005LES.....	194
2909B.75.....	150	3009B5.....	151	C1F005PES.....	195
2909B1.....	150	3009B6.....	151	C1F005WES.....	193
2909B1.5.....	150	3009B8.....	151	C1F005XES.....	195
2909B10.....	150	3009C.3.....	151	C1F007CES.....	194
2909B12.....	150	3009C.5.....	151	C1F007EES.....	193
2909B16.....	150	3009C.75.....	151	C1F007GES.....	193
2909B2.....	150	3009C1.....	151	C1F007HRS.....	194
2909B2.5.....	150	3009C1.5.....	151	C1F007JES.....	195
2909B3.....	150	3009C10.....	151	C1F007LES.....	194
2909B4.....	150	3009C12.....	151	C1F007PES.....	195
2909B5.....	150	3009C16.....	151	C1F007WES.....	193
2909B6.....	150	3009C2.....	151	C1F007XES.....	195
2909B8.....	150	3009C2.5.....	151	C1F010CES.....	194
2909C.2.....	150	3009C3.....	151	C1F010EES.....	193
2909C.4.....	150	3009C4.....	151	C1F010GES.....	193
2909C.5.....	150	3009C5.....	151	C1F010HRS.....	194
2909C.75.....	150	3009C6.....	151	C1F010JES.....	195
2909C1.....	150	3009C8.....	151	C1F010LES.....	194
2909C1.5.....	150	3009D.3.....	151	C1F010PES.....	195
2909C10.....	150	3009D.5.....	151	C1F010WES.....	193
2909C12.....	150	3009D.75.....	151	C1F010XES.....	195
2909C16.....	150	3009D1.....	151	C1F015LES.....	194
2909C2.....	150	3009D1.5.....	151	C1F015PES.....	195
2909C2.5.....	150	3009D10.....	151	C1F025LES.....	194
2909C3.....	150	3009D12.....	151	C1F025PES.....	195
2909C4.....	150	3009D16.....	151	C1F037LES.....	194
2909C5.....	150	3009D2.....	151	C1F037PES.....	195
2909C6.....	150	3009D2.5.....	151	C1F1C0CES.....	194
2909C8.....	150	3009D3.....	151	C1F1C0EES.....	193
2909D.2.....	150	3009D4.....	151	C1F1C0GES.....	193
2909D.4.....	150	3009D5.....	151	C1F1C0HRS.....	194
2909D.5.....	150	3009D6.....	151	C1F1C0JES.....	195
2909D.75.....	150	3009D8.....	151	C1F1C0LES.....	194
2909D1.....	150	C1F002CES.....	194	C1F1C0PES.....	195
2909D1.5.....	150	C1F002EES.....	193	C1F1C0WES.....	193
2909D10.....	150	C1F002GES.....	193	C1F1C0XES.....	195
2909D12.....	150	C1F002HRS.....	194	C1F1C5CES.....	194
2909D16.....	150	C1F002JES.....	195	C1F1C5EES.....	193
2909D2.....	150	C1F002LES.....	194	C1F1C5GES.....	193
2909D2.5.....	150	C1F002PES.....	195	C1F1C5HRS.....	194
2909D3.....	150	C1F002WES.....	193	C1F1C5JES.....	195
2909D4.....	150	C1F002XES.....	195	C1F1C5LES.....	194
2909D5.....	150	C1F003CES.....	194	C1F1C5PES.....	195
2909D6.....	150	C1F003EES.....	193	C1F1C5WES.....	193
2909D8.....	150	C1F003GES.....	193	C1F1C5XES.....	195
3009B.3.....	151	C1F003HRS.....	194	C1FC05CE.....	194
3009B.5.....	151	C1F003JES.....	195	C1FC05EE.....	193
3009B.75.....	151	C1F003LES.....	194	C1FC05GE.....	193
3009B1.....	151	C1F003PES.....	195	C1FC05HR.....	194
3009B1.5.....	151	C1F003WES.....	193	C1FC05JE.....	195
3009B10.....	151	C1F003XES.....	195	C1FC05LE.....	194
3009B12.....	151	C1F005CES.....	194	C1FC05PE.....	195
3009B16.....	151	C1F005EES.....	193	C1FC05WE.....	193
3009B2.....	151	C1F005GES.....	193	C1FC05XE.....	195

Note: For DOE 2016 product information please see the HPS Sentinel® Energy Efficient Distribution Transformer Selection Guide (DOESEL15) or the HPS Millennium™ G Medium Voltage Transformer Selection Guide (MILGMED15)



# GENERAL INFORMATION

## ALPHA NUMERIC PART NUMBER INDEX

Catalog Part No.	Catalog Page No.	Catalog Part No.	Catalog Page No.	Catalog Part No.	Catalog Page No.
C1FC10CE	194	C3F002DKS	197	C3F075KBS	198
C1FC10EE	193	C3F002KBS	198	C3F075KDS	198
C1FC10GE	193	C3F002KDS	198	C3F075PBS	198
C1FC10HR	194	C3F002PBS	198	C3F075PDS	198
C1FC10JE	195	C3F002PDS	198	CRX0001AC	105
C1FC10LE	194	C3F003BBS	197	CRX0001AE	111
C1FC10PE	195	C3F003BKS	197	CRX0001BC	105
C1FC10WE	193	C3F003DBS	197	CRX0001BE	111
C1FC10XE	195	C3F003DKS	197	CRX0002CC	105
C1FC15CE	194	C3F003KBS	198	CRX0002CE	111
C1FC15EE	193	C3F003KDS	198	CRX0002NC	109
C1FC15GE	193	C3F003PBS	198	CRX0002NE	115
C1FC15HR	194	C3F003PDS	198	CRX0003AC	105
C1FC15JE	195	C3F006BBS	197	CRX0003AE	111
C1FC15LE	194	C3F006BKS	197	CRX0003BC	105
C1FC15PE	195	C3F006DBS	197	CRX0003BE	111
C1FC15WE	193	C3F006DKS	197	CRX0003NC	109
C1FC15XE	195	C3F006KBS	198	CRX0003NE	115
C1FC25CE	194	C3F006KDS	198	CRX0003PC	109
C1FC25EE	193	C3F006PBS	198	CRX0003PE	115
C1FC25GE	193	C3F006PDS	198	CRX0004CC	105
C1FC25HR	194	C3F009BBS	197	CRX0004CE	111
C1FC25JE	195	C3F009BKS	197	CRX0008CC	106
C1FC25LE	194	C3F009DBS	197	CRX0008CE	112
C1FC25PE	195	C3F009DKS	197	CRX0008NC	109
C1FC25WE	193	C3F009KBS	198	CRX0008NE	115
C1FC25XE	195	C3F009KDS	198	CRX0008PC	109
C1FC35CE	194	C3F009PBS	198	CRX0008PE	115
C1FC35EE	193	C3F009PDS	198	CRX0009AC	106
C1FC35GE	193	C3F015BBS	197	CRX0009AE	112
C1FC35HR	194	C3F015BKS	197	CRX0009BC	106
C1FC35JE	195	C3F015DBS	197	CRX0009BE	112
C1FC35LE	194	C3F015DKS	197	CRX0011AC	106
C1FC35PE	195	C3F015KBS	198	CRX0011AE	112
C1FC35WE	193	C3F015KDS	198	CRX0011BC	106
C1FC35XE	195	C3F015PBS	198	CRX0011BE	112
C1FC50CE	194	C3F015PDS	198	CRX0011CC	106
C1FC50EE	193	C3F030BBS	197	CRX0011CE	112
C1FC50GE	193	C3F030BKS	197	CRX0011DC	106
C1FC50HR	194	C3F030DBS	197	CRX0011DE	112
C1FC50JE	195	C3F030DKS	197	CRX0011NC	109
C1FC50LE	194	C3F030KBS	198	CRX0011NE	115
C1FC50PE	195	C3F030KDS	198	CRX0012CC	106
C1FC50WE	193	C3F030PBS	198	CRX0012CE	112
C1FC50XE	195	C3F030PDS	198	CRX0014AC	106
C1FC75CES	194	C3F045BBS	197	CRX0014AE	112
C1FC75EES	193	C3F045BKS	197	CRX0014BC	106
C1FC75GES	193	C3F045DBS	197	CRX0014BE	112
C1FC75HRS	194	C3F045DKS	197	CRX0014NC	109
C1FC75JES	195	C3F045KBS	198	CRX0014NE	115
C1FC75LES	194	C3F045KDS	198	CRX0017AC	106
C1FC75PES	195	C3F045PBS	198	CRX0017AE	112
C1FC75WES	193	C3F045PDS	198	CRX0017BC	106
C1FC75XES	195	C3F075BBS	197	CRX0017BE	112
C3F002BBS	197	C3F075BKS	197	CRX0018NC	109
C3F002BKS	197	C3F075DBS	197	CRX0018NE	115
C3F002DBS	197	C3F075DKS	197	CRX0021AC	106

Note: For DOE 2016 product information please see the HPS Sentinel® Energy Efficient Distribution Transformer Selection Guide (DOESEL15) or the HPS Millennium™ G Medium Voltage Transformer Selection Guide (MILGMED15)

GENERAL  
INFORMATION



# GENERAL INFORMATION

## ALPHA NUMERIC PART NUMBER INDEX

Catalog Part No.	Catalog Page No.	Catalog Part No.	Catalog Page No.	Catalog Part No.	Catalog Page No.
CRX0021AE	112	CRX0041BC	106	CRX0077DE	113
CRX0021BC	106	CRX0041BE	112	CRX0080NC	109
CRX0021BE	112	CRX0045CC	106	CRX0080NE	115
CRX0021NC	109	CRX0045CE	112	CRX0088AC	107
CRX0021NE	115	CRX0045NC	109	CRX0088AE	113
CRX0022AC	106	CRX0045NE	115	CRX0088BC	107
CRX0022AE	112	CRX0046AC	106	CRX0088BE	113
CRX0022BC	106	CRX0046AE	112	CRX0088CC	107
CRX0022BE	112	CRX0046BC	106	CRX0088CE	113
CRX0023NC	109	CRX0046BE	112	CRX0088DC	107
CRX0023NE	115	CRX0046CC	106	CRX0088DE	113
CRX0023PC	109	CRX0046CE	112	CRX0089NC	109
CRX0023PE	115	CRX0046DC	106	CRX0089NE	115
CRX0024AC	106	CRX0046DE	112	CRX0089PC	109
CRX0024AE	112	CRX0052AC	107	CRX0089PE	115
CRX0024BC	106	CRX0052AE	113	CRX0096AC	107
CRX0024BE	112	CRX0052BC	107	CRX0096AE	113
CRX0024CC	106	CRX0052BE	113	CRX0096BC	107
CRX0024CE	112	CRX0052CC	107	CRX0096BE	113
CRX0024DC	106	CRX0052CE	113	CRX0096NC	109
CRX0024DE	112	CRX0052DC	107	CRX0096NE	115
CRX0025NC	109	CRX0052DE	113	CRX0099AC	107
CRX0025NE	115	CRX0055NC	109	CRX0099AE	113
CRX0027AC	106	CRX0055NE	115	CRX0099BC	107
CRX0027AE	112	CRX0059AC	107	CRX0099BE	113
CRX0027BC	106	CRX0059AE	113	CRX0111PC	109
CRX0027BE	112	CRX0059BC	107	CRX0111PE	115
CRX0027CC	106	CRX0059BE	113	CRX0114AC	107
CRX0027CE	112	CRX0059CC	107	CRX0114AE	113
CRX0027DC	106	CRX0059CE	113	CRX0114BC	107
CRX0027DE	112	CRX0059DC	107	CRX0114BE	113
CRX0031AC	106	CRX0059DE	113	CRX0114CC	107
CRX0031AE	112	CRX0062AC	107	CRX0114CE	113
CRX0031BC	106	CRX0062AE	113	CRX0114DC	107
CRX0031BE	112	CRX0062BC	107	CRX0114DE	113
CRX0031CC	106	CRX0062BE	113	CRX0124AC	107
CRX0031CE	112	CRX0065AC	107	CRX0124AE	113
CRX0031DC	106	CRX0065AE	113	CRX0124BC	107
CRX0031DE	112	CRX0065BC	107	CRX0124BE	113
CRX0032AC	106	CRX0065BE	113	CRX0125AC	107
CRX0032AE	112	CRX0065NC	109	CRX0125AE	113
CRX0032BC	106	CRX0065NE	115	CRX0125BC	107
CRX0032BE	112	CRX0075AC	107	CRX0125BE	113
CRX0033NC	109	CRX0075AE	113	CRX0130NC	109
CRX0033NE	115	CRX0075BC	107	CRX0130NE	115
CRX0034AC	106	CRX0075BE	113	CRX0143AC	107
CRX0034AE	112	CRX0075CC	107	CRX0143AE	113
CRX0034BC	106	CRX0075CE	113	CRX0143BC	107
CRX0034BE	112	CRX0075DC	107	CRX0143BE	113
CRX0035CC	106	CRX0075DE	113	CRX0143CC	107
CRX0035CE	112	CRX0077AC	107	CRX0143CE	113
CRX0040AC	106	CRX0077AE	113	CRX0143DC	107
CRX0040AE	112	CRX0077BC	107	CRX0143DE	113
CRX0040BC	106	CRX0077BE	113	CRX0144AC	107
CRX0040BE	112	CRX0077CC	107	CRX0144AE	113
CRX0041AC	106	CRX0077CE	113	CRX0144BC	107
CRX0041AE	112	CRX0077DC	107	CRX0144BE	113

Note: For DOE 2016 product information please see the HPS Sentinel® Energy Efficient Distribution Transformer Selection Guide (DOESEL15) or the HPS Millennium™ G Medium Voltage Transformer Selection Guide (MILGMED15)



# GENERAL INFORMATION

## ALPHA NUMERIC PART NUMBER INDEX

Catalog Part No.	Catalog Page No.	Catalog Part No.	Catalog Page No.	Catalog Part No.	Catalog Page No.
CRX0147NC	109	CRX0211CE	114	CRX0302BC	108
CRX0147NE	115	CRX0211DC	108	CRX0302BE	114
CRX0147PC	109	CRX0211DE	114	CRX0336AC	108
CRX0147PE	115	CRX0219NC	110	CRX0336AE	114
CRX0156AC	107	CRX0219NE	116	CRX0336BC	108
CRX0156AE	113	CRX0219PC	110	CRX0336BE	114
CRX0156BC	107	CRX0219PE	116	CRX0343AC	108
CRX0156BE	113	CRX0240AC	108	CRX0343AE	114
CRX0160NC	109	CRX0240AE	114	CRX0343BC	108
CRX0160NE	115	CRX0240BC	108	CRX0343BE	114
CRX0170AC	107	CRX0240BE	114	CRX0343CC	108
CRX0170AE	113	CRX0242AC	108	CRX0343CE	114
CRX0170BC	107	CRX0242AE	114	CRX0343DC	108
CRX0170BE	113	CRX0242BC	108	CRX0343DE	114
CRX0170CC	107	CRX0242BE	114	CRX0361AC	108
CRX0170CE	113	CRX0273AC	108	CRX0361AE	114
CRX0170DC	107	CRX0273AE	114	CRX0361BC	108
CRX0170DE	113	CRX0273BC	108	CRX0361BE	114
CRX0180AC	107	CRX0273BE	114	CRX0382AC	108
CRX0180AE	113	CRX0273CC	108	CRX0382AE	114
CRX0180BC	107	CRX0273CE	114	CRX0382BC	108
CRX0180BE	113	CRX0273DC	108	CRX0382BE	114
CRX0183NC	110	CRX0273DE	114	CRX0396AC	108
CRX0183NE	116	CRX0289AC	108	CRX0396AE	114
CRX0183PC	110	CRX0289AE	114	CRX0396BC	108
CRX0183PE	116	CRX0289BC	108	CRX0396BE	114
CRX0192AC	107	CRX0289BE	114	CRX0396CC	108
CRX0192AE	113	CRX0291NC	110	CRX0396CE	114
CRX0192BC	107	CRX0291NE	116	CRX0396DC	108
CRX0192BE	113	CRX0291PC	110	CRX0396DE	114
CRX01D1AC	105	CRX0291PE	116	CRX03D4AC	105
CRX01D1AE	111	CRX02D1AC	105	CRX03D4AE	111
CRX01D1BC	105	CRX02D1AE	111	CRX03D4BC	105
CRX01D1BE	111	CRX02D1BC	105	CRX03D4BE	111
CRX01D2NC	109	CRX02D1BE	111	CRX03D4NC	109
CRX01D2NE	115	CRX02D1NC	109	CRX03D4NE	115
CRX01D4AC	105	CRX02D1NE	115	CRX03D5AC	105
CRX01D4AE	111	CRX02D1PC	109	CRX03D5AE	111
CRX01D4BC	105	CRX02D1PE	115	CRX03D5BC	105
CRX01D4BE	111	CRX02D4AC	105	CRX03D5BE	111
CRX01D6AC	105	CRX02D4AE	111	CRX03D5CC	105
CRX01D6AE	111	CRX02D4BC	105	CRX03D5CE	111
CRX01D6BC	105	CRX02D4BE	111	CRX03D5DC	105
CRX01D6BE	111	CRX02D4CC	105	CRX03D5DE	111
CRX01D6NC	109	CRX02D4CE	111	CRX03D9AC	105
CRX01D6NE	115	CRX02D4DC	105	CRX03D9AE	111
CRX01D8AC	105	CRX02D4DE	111	CRX03D9BC	105
CRX01D8AE	111	CRX02D6AC	105	CRX03D9BE	111
CRX01D8BC	105	CRX02D6AE	111	CRX0412AC	108
CRX01D8BE	111	CRX02D6BC	105	CRX0412AE	114
CRX0200CC	108	CRX02D6BE	111	CRX0412BC	108
CRX0200CE	114	CRX02D7AC	105	CRX0412BE	114
CRX0211AC	108	CRX02D7AE	111	CRX0414AC	108
CRX0211AE	114	CRX02D7BC	105	CRX0414AE	114
CRX0211BC	108	CRX02D7BE	111	CRX0414BC	108
CRX0211BE	114	CRX0302AC	108	CRX0414BE	114
CRX0211CC	108	CRX0302AE	114	CRX0472AC	108

Note: For DOE 2016 product information please see the HPS Sentinel® Energy Efficient Distribution Transformer Selection Guide (DOESEL15) or the HPS Millennium™ G Medium Voltage Transformer Selection Guide (MILGMED15)



GENERAL INFORMATION



# GENERAL INFORMATION

## ALPHA NUMERIC PART NUMBER INDEX

Catalog Part No.	Catalog Page No.	Catalog Part No.	Catalog Page No.	Catalog Part No.	Catalog Page No.
CRX0472AE	114	CRX07D5CC	105	CRX59D8PE	115
CRX0472BC	108	CRX07D5CE	111	CRX74D4NC	109
CRX0472BE	114	CRX07D5DC	105	CRX74D4NE	115
CRX0477AC	108	CRX07D5DE	111	CRX74D4PC	109
CRX0477AE	114	CRX07D5NC	109	CRX74D4PE	115
CRX0477BC	108	CRX07D5NE	115	DE007BK	137
CRX0477BE	114	CRX07D6AC	105	DE007BKCN	141
CRX04D6AC	105	CRX07D6AE	111	DE007CC	137
CRX04D6AE	111	CRX07D6BC	105	DE007CCCN	142
CRX04D6BC	105	CRX07D6BE	111	DE007JC	138
CRX04D6BE	111	CRX0840AC	108	DE007JCCN	142
CRX04D6CC	105	CRX0840AE	114	DE007JH	138
CRX04D6CE	111	CRX0960AC	108	DE007JHCN	143
CRX04D6DC	105	CRX0960AE	114	DE007JJ	139
CRX04D6DE	111	CRX1080AC	108	DE007JCN	143
CRX04D8AC	105	CRX1080AE	114	DE007KD	139
CRX04D8AE	111	CRX10D7AC	106	DE007KDCN	144
CRX04D8BC	105	CRX10D7AE	112	DE007KK	140
CRX04D8BE	111	CRX10D7BC	106	DE007KKCN	144
CRX04D8NC	109	CRX10D7BE	112	DE007NJ	140
CRX04D8NE	115	CRX10D7CC	106	DE007NJCN	145
CRX04D8PC	109	CRX10D7CE	112	DE007NN	141
CRX04D8PE	115	CRX10D7DC	106	DE007NNCN	145
CRX0515AC	108	CRX10D7DE	112	DE011BK	137
CRX0515AE	114	CRX11D8NC	109	DE011BKCN	141
CRX0515BC	108	CRX11D8NE	115	DE011CC	137
CRX0515BE	114	CRX11D8PC	109	DE011CCCN	142
CRX0528AC	108	CRX11D8PE	115	DE011JC	138
CRX0528AE	114	CRX1200AC	108	DE011JCCN	142
CRX0528BC	108	CRX1200AE	114	DE011JH	138
CRX0528BE	114	CRX15D6NC	109	DE011JHCN	143
CRX0528CC	108	CRX15D6NE	115	DE011JJ	139
CRX0528CE	114	CRX15D6PC	109	DE011JCN	143
CRX0528DC	108	CRX15D6PE	115	DE011KD	139
CRX0528DE	114	CRX16D7AC	106	DE011KDCN	144
CRX0590AC	108	CRX16D7AE	112	DE011KK	140
CRX0590AE	114	CRX16D7BC	106	DE011KKCN	144
CRX0590BC	108	CRX16D7BE	112	DE011NJ	140
CRX0590BE	114	CRX16D7CC	106	DE011NJCN	145
CRX06D1AC	105	CRX16D7CE	112	DE011NN	141
CRX06D1AE	111	CRX16D7DC	106	DE011NNCN	145
CRX06D1BC	105	CRX16D7DE	112	DE014BK	137
CRX06D1BE	111	CRX30D5NC	109	DE014BKCN	141
CRX06D6AC	105	CRX30D5NE	115	DE014CC	137
CRX06D6AE	111	CRX30D5PC	109	DE014CCCN	142
CRX06D6BC	105	CRX30D5PE	115	DE014JC	138
CRX06D6BE	111	CRX37D8NC	109	DE014JCCN	142
CRX06D6CC	105	CRX37D8NE	115	DE014JH	138
CRX06D6CE	111	CRX37D8PC	109	DE014JHCN	143
CRX06D6DC	105	CRX37D8PE	115	DE014JJ	139
CRX06D6DE	111	CRX45D2NC	109	DE014JCN	143
CRX0720AC	108	CRX45D2NE	115	DE014KD	139
CRX0720AE	114	CRX45D2PC	109	DE014KDCN	144
CRX07D5AC	105	CRX45D2PE	115	DE014KK	140
CRX07D5AE	111	CRX59D8NC	109	DE014KKCN	144
CRX07D5BC	105	CRX59D8NE	115	DE014NJ	140
CRX07D5BE	111	CRX59D8PC	109	DE014NJCN	145

Note: For DOE 2016 product information please see the HPS Sentinel® Energy Efficient Distribution Transformer Selection Guide (DOESEL15) or the HPS Millennium™ G Medium Voltage Transformer Selection Guide (MILGMED15)



# GENERAL INFORMATION

## ALPHA NUMERIC PART NUMBER INDEX

Catalog Part No.	Catalog Page No.	Catalog Part No.	Catalog Page No.	Catalog Part No.	Catalog Page No.
DE014NN	141	DE040BKC	141	DE075JC	138
DE014NNCN	145	DE040CC	137	DE075JCC	142
DE020BK	137	DE040CCC	142	DE075JH	138
DE020BKC	141	DE040JC	138	DE075JHC	143
DE020CC	137	DE040JCC	142	DE075JJ	139
DE020CCC	142	DE040JH	138	DE075JJC	143
DE020JC	138	DE040JHC	143	DE075KD	139
DE020JCCN	142	DE040JJ	139	DE075KDC	144
DE020JH	138	DE040JJC	143	DE075KK	140
DE020JHCN	143	DE040KD	139	DE075KKC	144
DE020JJ	139	DE040KDC	144	DE075NJ	140
DE020JCN	143	DE040KK	140	DE075NJC	145
DE020KD	139	DE040KCC	144	DE075NN	141
DE020KDCN	144	DE040NJ	140	DE075NNC	145
DE020KK	140	DE040NJCN	145	DE093BK	137
DE020KKCN	144	DE040NN	141	DE093BKC	141
DE020NJ	140	DE040NNCN	145	DE093CC	137
DE020NJCN	145	DE051BK	137	DE093CCC	142
DE020NN	141	DE051BKC	141	DE093JC	138
DE020NNCN	145	DE051CC	137	DE093JCC	142
DE027BK	137	DE051CCC	142	DE093JH	138
DE027BKC	141	DE051JC	138	DE093JHC	143
DE027CC	137	DE051JCC	142	DE093JJ	139
DE027CCC	142	DE051JH	138	DE093JJC	143
DE027JC	138	DE051JHC	143	DE093KD	139
DE027JCCN	142	DE051JJ	139	DE093KDC	144
DE027JH	138	DE051JJC	143	DE093KK	140
DE027JHCN	143	DE051KD	139	DE093KKC	144
DE027JJ	139	DE051KDC	144	DE093NJ	140
DE027JCN	143	DE051KK	140	DE093NJC	145
DE027KD	139	DE051KCC	144	DE093NN	141
DE027KDCN	144	DE051NJ	140	DE093NNC	145
DE027KK	140	DE051NJC	145	DE118BK	137
DE027KKCN	144	DE051NN	141	DE118BKC	141
DE027NJ	140	DE051NNC	145	DE118CC	137
DE027NJCN	145	DE063BK	137	DE118CCC	142
DE027NN	141	DE063BKC	141	DE118JC	138
DE027NNCN	145	DE063CC	137	DE118JCC	142
DE034BK	137	DE063CCC	142	DE118JH	138
DE034BKC	141	DE063JC	138	DE118JHC	143
DE034CC	137	DE063JCC	142	DE118JJ	139
DE034CCC	142	DE063JH	138	DE118JJC	143
DE034JC	138	DE063JHC	143	DE118KD	139
DE034JCC	142	DE063JJ	139	DE118KDC	144
DE034JH	138	DE063JJC	143	DE118KK	140
DE034JHC	143	DE063KD	139	DE118KKC	144
DE034JJ	139	DE063KDC	144	DE118NJ	140
DE034JJC	143	DE063KK	140	DE118NJC	145
DE034KD	139	DE063KCC	144	DE118NN	141
DE034KDCN	144	DE063NJ	140	DE118NNC	145
DE034KK	140	DE063NJC	145	DE145BK	137
DE034KKCN	144	DE063NN	141	DE145BKC	141
DE034NJ	140	DE063NNC	145	DE145CC	137
DE034NJCN	145	DE075BK	137	DE145CCC	142
DE034NN	141	DE075BKC	141	DE145JC	138
DE034NNCN	145	DE075CC	137	DE145JCC	142
DE040BK	137	DE075CCC	142	DE145JH	138

Note: For DOE 2016 product information please see the HPS Sentinel® Energy Efficient Distribution Transformer Selection Guide (DOESEL15) or the HPS Millennium™ G Medium Voltage Transformer Selection Guide (MILGMED15)

GENERAL  
INFORMATION



# GENERAL INFORMATION

## ALPHA NUMERIC PART NUMBER INDEX

Catalog Part No.	Catalog Page No.	Catalog Part No.	Catalog Page No.	Catalog Part No.	Catalog Page No.
DE145JHC	143	DE275KD	139	DE550KKC	144
DE145JJ	139	DE275KDC	144	DE550NJ	140
DE145JJC	143	DE275KK	140	DE550NJC	145
DE145KD	139	DE275KCC	144	DE550NN	141
DE145KDC	144	DE275NJ	140	DE550NNC	145
DE145KK	140	DE275NJC	145	DE660BK	137
DE145KCC	144	DE275NN	141	DE660BKC	141
DE145NJ	140	DE275NNC	145	DE660CC	137
DE145NJC	145	DE330BK	137	DE660CCC	142
DE145NN	141	DE330BKC	141	DE660JC	138
DE145NNC	145	DE330CC	137	DE660JCC	142
DE175BK	137	DE330CCC	142	DE660JH	138
DE175BKC	141	DE330JC	138	DE660JHC	143
DE175CC	137	DE330JCC	142	DE660JJ	139
DE175CCC	142	DE330JH	138	DE660JJC	143
DE175JC	138	DE330JHC	143	DE660KD	139
DE175JCC	142	DE330JJ	139	DE660KDC	144
DE175JH	138	DE330JJC	143	DE660KK	140
DE175JHC	143	DE330KD	139	DE660KCC	144
DE175JJ	139	DE330KDC	144	DE660NJ	140
DE175JJC	143	DE330KK	140	DE660NJC	145
DE175KD	139	DE330KCC	144	DE660NN	141
DE175KDC	144	DE330NJ	140	DE660NNC	145
DE175KK	140	DE330NJC	145	DM007BK	126
DE175KCC	144	DE330NN	141	DM007BCCN	130
DE175NJ	140	DE330NNC	145	DM007CC	126
DE175NJC	145	DE440BK	137	DM007CCCN	131
DE175NN	141	DE440BKC	141	DM007JC	127
DE175NNC	145	DE440CC	137	DM007JCCN	131
DE220BK	137	DE440CCC	142	DM007JH	127
DE220BKC	141	DE440JC	138	DM007JHCN	132
DE220CC	137	DE440JCC	142	DM007JJ	128
DE220CCC	142	DE440JH	138	DM007JJC	132
DE220JC	138	DE440JHC	143	DM007KD	128
DE220JCC	142	DE440JJ	139	DM007KDCN	133
DE220JH	138	DE440JJC	143	DM007KK	129
DE220JHC	143	DE440KD	139	DM007KCCN	133
DE220JJ	139	DE440KDC	144	DM007NJ	129
DE220JJC	143	DE440KK	140	DM007NJC	134
DE220KD	139	DE440KCC	144	DM007NN	130
DE220KDC	144	DE440NJ	140	DM007NNC	134
DE220KK	140	DE440NJC	145	DM011BK	126
DE220KCC	144	DE440NN	141	DM011BCCN	130
DE220NJ	140	DE440NNC	145	DM011CC	126
DE220NJC	145	DE550BK	137	DM011CCCN	131
DE220NN	141	DE550BKC	141	DM011JC	127
DE220NNC	145	DE550CC	137	DM011JCCN	131
DE275BK	137	DE550CCC	142	DM011JH	127
DE275BKC	141	DE550JC	138	DM011JHCN	132
DE275CC	137	DE550JCC	142	DM011JJ	128
DE275CCC	142	DE550JH	138	DM011JJC	132
DE275JC	138	DE550JHC	143	DM011KD	128
DE275JCC	142	DE550JJ	139	DM011KDCN	133
DE275JH	138	DE550JJC	143	DM011KK	129
DE275JHC	143	DE550KD	139	DM011KCCN	133
DE275JJ	139	DE550KDC	144	DM011NJ	129
DE275JJC	143	DE550KK	140	DM011NJC	134

Note: For DOE 2016 product information please see the HPS Sentinel® Energy Efficient Distribution Transformer Selection Guide (DOESEL15) or the HPS Millennium™ G Medium Voltage Transformer Selection Guide (MILGMED15)



# GENERAL INFORMATION

## ALPHA NUMERIC PART NUMBER INDEX

Catalog Part No.	Catalog Page No.	Catalog Part No.	Catalog Page No.	Catalog Part No.	Catalog Page No.
DM011NN	130	DM034BKC	130	DM063JC	127
DM011NNCN	134	DM034CC	126	DM063JCC	131
DM014BK	126	DM034CCC	131	DM063JH	127
DM014BKC	130	DM034JC	127	DM063JHC	132
DM014CC	126	DM034JCC	131	DM063JJ	128
DM014CCCN	131	DM034JH	127	DM063JJC	132
DM014JC	127	DM034JHC	132	DM063KD	128
DM014JCCN	131	DM034JJ	128	DM063KDC	133
DM014JH	127	DM034JJC	132	DM063KK	129
DM014JHCN	132	DM034KD	128	DM063KKC	133
DM014JJ	128	DM034KDCN	133	DM063NJ	129
DM014JJCN	132	DM034KK	129	DM063NJC	134
DM014KD	128	DM034KCCN	133	DM063NN	130
DM014KDCN	133	DM034NJ	129	DM063NNC	134
DM014KK	129	DM034NJCN	134	DM075BK	126
DM014KCCN	133	DM034NN	130	DM075BKC	130
DM014NJ	129	DM034NNCN	134	DM075CC	126
DM014NJCN	134	DM040BK	126	DM075CCC	131
DM014NN	130	DM040BKC	130	DM075JC	127
DM014NNCN	134	DM040CC	126	DM075JCC	131
DM020BK	126	DM040CCC	131	DM075JH	127
DM020BKC	130	DM040JC	127	DM075JHC	132
DM020CC	126	DM040JCC	131	DM075JJ	128
DM020CCC	131	DM040JH	127	DM075JJC	132
DM020JC	127	DM040JHC	132	DM075KD	128
DM020JCCN	131	DM040JJ	128	DM075KDC	133
DM020JH	127	DM040JJC	132	DM075KK	129
DM020JHCN	132	DM040KD	128	DM075KKC	133
DM020JJ	128	DM040KDC	133	DM075NJ	129
DM020JJCN	132	DM040KK	129	DM075NJC	134
DM020KD	128	DM040KCC	133	DM075NN	130
DM020KDCN	133	DM040NJ	129	DM075NNC	134
DM020KK	129	DM040NJCN	134	DM093BK	126
DM020KCCN	133	DM040NN	130	DM093BKC	130
DM020NJ	129	DM040NNCN	134	DM093CC	126
DM020NJCN	134	DM051BK	126	DM093CCC	131
DM020NN	130	DM051BKC	130	DM093JC	127
DM020NNCN	134	DM051CC	126	DM093JCC	131
DM027BK	126	DM051CCC	131	DM093JH	127
DM027BKC	130	DM051JC	127	DM093JHC	132
DM027CC	126	DM051JCC	131	DM093JJ	128
DM027CCC	131	DM051JH	127	DM093JJC	132
DM027JC	127	DM051JHC	132	DM093KD	128
DM027JCCN	131	DM051JJ	128	DM093KDC	133
DM027JH	127	DM051JJC	132	DM093KK	129
DM027JHCN	132	DM051KD	128	DM093KKC	133
DM027JJ	128	DM051KDC	133	DM093NJ	129
DM027JJCN	132	DM051KK	129	DM093NJC	134
DM027KD	128	DM051KCC	133	DM093NN	130
DM027KDCN	133	DM051NJ	129	DM093NNC	134
DM027KK	129	DM051NJC	134	DM118BK	126
DM027KCCN	133	DM051NN	130	DM118BKC	130
DM027NJ	129	DM051NNC	134	DM118CC	126
DM027NJCN	134	DM063BK	126	DM118CCC	131
DM027NN	130	DM063BKC	130	DM118JC	127
DM027NNCN	134	DM063CC	126	DM118JCC	131
DM034BK	126	DM063CCC	131	DM118JH	127

Note: For DOE 2016 product information please see the HPS Sentinel® Energy Efficient Distribution Transformer Selection Guide (DOESEL15) or the HPS Millennium™ G Medium Voltage Transformer Selection Guide (MILGMED15)



GENERAL INFORMATION

# GENERAL INFORMATION

## ALPHA NUMERIC PART NUMBER INDEX

Catalog Part No.	Catalog Page No.	Catalog Part No.	Catalog Page No.	Catalog Part No.	Catalog Page No.
DM118JHC	132	DM220KD	128	DM440KCC	133
DM118JJ	128	DM220KDC	133	DM440NJ	129
DM118JJC	132	DM220KK	129	DM440NJC	134
DM118KD	128	DM220KCC	133	DM440NN	130
DM118KDC	133	DM220NJ	129	DM440NNC	134
DM118KK	129	DM220NJC	134	DM550BK	126
DM118KCC	133	DM220NN	130	DM550BKC	130
DM118NJ	129	DM220NNC	134	DM550CC	126
DM118NJC	134	DM275BK	126	DM550CCC	131
DM118NN	130	DM275BKC	130	DM550JC	127
DM118NNC	134	DM275CC	126	DM550JCC	131
DM145BK	126	DM275CCC	131	DM550JH	127
DM145BKC	130	DM275JC	127	DM550JHC	132
DM145CC	126	DM275JCC	131	DM550JJ	128
DM145CCC	131	DM275JH	127	DM550JJC	132
DM145JC	127	DM275JHC	132	DM550KD	128
DM145JCC	131	DM275JJ	128	DM550KDC	133
DM145JH	127	DM275JJC	132	DM550KK	129
DM145JHC	132	DM275KD	128	DM550KCC	133
DM145JJ	128	DM275KDC	133	DM550NJ	129
DM145JJC	132	DM275KK	129	DM550NJC	134
DM145KD	128	DM275KCC	133	DM550NN	130
DM145KDC	133	DM275NJ	129	DM550NNC	134
DM145KK	129	DM275NJC	134	DM660BK	126
DM145KCC	133	DM275NN	130	DM660BKC	130
DM145NJ	129	DM275NNC	134	DM660CC	126
DM145NJC	134	DM330BK	126	DM660CCC	131
DM145NN	130	DM330BKC	130	DM660JC	127
DM145NNC	134	DM330CC	126	DM660JCC	131
DM175BK	126	DM330CCC	131	DM660JH	127
DM175BKC	130	DM330JC	127	DM660JHC	132
DM175CC	126	DM330JCC	131	DM660JJ	128
DM175CCC	131	DM330JH	127	DM660JJC	132
DM175JC	127	DM330JHC	132	DM660KD	128
DM175JCC	131	DM330JJ	128	DM660KDC	133
DM175JH	127	DM330JJC	132	DM660KK	129
DM175JHC	132	DM330KD	128	DM660KCC	133
DM175JJ	128	DM330KDC	133	DM660NJ	129
DM175JJC	132	DM330KK	129	DM660NJC	134
DM175KD	128	DM330KCC	133	DM660NN	130
DM175KDC	133	DM330NJ	129	DM660NNC	134
DM175KK	129	DM330NJC	134	FS1000ACP	55
DM175KCC	133	DM330NN	130	FS1000KHP	57
DM175NJ	129	DM330NNC	134	FS1000MQMJ	56
DM175NJC	134	DM440BK	126	FS1000NJ	58
DM175NN	130	DM440BKC	130	FS1000SP	59
DM175NNC	134	DM440CC	126	FS100ACP	55
DM220BK	126	DM440CCC	131	FS100AR	55
DM220BKC	130	DM440JC	127	FS100KHP	57
DM220CC	126	DM440JCC	131	FS100KHR	57
DM220CCC	131	DM440JH	127	FS100MQMJ	56
DM220JC	127	DM440JHC	132	FS100NJ	58
DM220JCC	131	DM440JJ	128	FS100PR	58
DM220JH	127	DM440JJC	132	FS100QR	56
DM220JHC	132	DM440KD	128	FS100SP	59
DM220JJ	128	DM440KDC	133	FS100SR	59
DM220JJC	132	DM440KK	129	FS1500ACP	55

Note: For DOE 2016 product information please see the HPS Sentinel® Energy Efficient Distribution Transformer Selection Guide (DOESEL15) or the HPS Millennium™ G Medium Voltage Transformer Selection Guide (MILGMED15)



# GENERAL INFORMATION

## ALPHA NUMERIC PART NUMBER INDEX

Catalog Part No.	Catalog Page No.	Catalog Part No.	Catalog Page No.	Catalog Part No.	Catalog Page No.
FS1500KHP.....	57	FS50QR.....	56	H1EM045BB00S.....	181
FS1500MQMJ.....	56	FS50SP.....	59	H1EM045BB30.....	187
FS1500NJ.....	58	FS50SR.....	59	H1EM045BB30S.....	183
FS1500SP.....	59	FS750ACP.....	55	H1EM045BK00.....	185
FS150ACP.....	55	FS750KHP.....	57	H1EM045BK00S.....	181
FS150AR.....	55	FS750MQMJ.....	56	H1EM045BK30.....	187
FS150KHP.....	57	FS750NJ.....	58	H1EM045BK30S.....	183
FS150KHR.....	57	FS750SP.....	59	H1EM045KB00.....	185
FS150MQMJ.....	56	H1EM015BB00.....	185	H1EM045KB00S.....	181
FS150NJ.....	58	H1EM015BB00S.....	181	H1EM045KB30.....	187
FS150PR.....	58	H1EM015BB30.....	187	H1EM045KB30S.....	183
FS150QR.....	56	H1EM015BB30S.....	183	H1EM045KK00.....	186
FS150SP.....	59	H1EM015BK00.....	185	H1EM045KK00S.....	182
FS150SR.....	59	H1EM015BK00S.....	181	H1EM045KK30.....	188
FS2000ACP.....	55	H1EM015BK30.....	187	H1EM045KK30S.....	184
FS2000MQMJ.....	56	H1EM015BK30S.....	183	H1EM045PB00.....	186
FS250ACP.....	55	H1EM015KB00.....	185	H1EM045PB00S.....	182
FS250AR.....	55	H1EM015KB00S.....	181	H1EM045PB30.....	188
FS250KHP.....	57	H1EM015KB30.....	187	H1EM045PB30S.....	184
FS250KHR.....	57	H1EM015KB30S.....	183	H1EM045PK00.....	186
FS250MQMJ.....	56	H1EM015KK00.....	186	H1EM045PK00S.....	182
FS250NJ.....	58	H1EM015KK00S.....	182	H1EM045PK30.....	188
FS250PR.....	58	H1EM015KK30.....	188	H1EM045PK30S.....	184
FS250QR.....	56	H1EM015KK30S.....	184	H1EM075BB00.....	185
FS250SP.....	59	H1EM015PB00.....	186	H1EM075BB00S.....	181
FS250SR.....	59	H1EM015PB00S.....	182	H1EM075BB30.....	187
FS3000ACP.....	55	H1EM015PB30.....	188	H1EM075BB30S.....	183
FS3000MQMJ.....	56	H1EM015PB30S.....	184	H1EM075BK00.....	185
FS350ACP.....	55	H1EM015PK00.....	186	H1EM075BK00S.....	181
FS350AR.....	55	H1EM015PK00S.....	182	H1EM075BK30.....	187
FS350KHP.....	57	H1EM015PK30.....	188	H1EM075BK30S.....	183
FS350KHR.....	57	H1EM015PK30S.....	184	H1EM075KB00.....	185
FS350MQMJ.....	56	H1EM030BB00.....	185	H1EM075KB00S.....	181
FS350NJ.....	58	H1EM030BB00S.....	181	H1EM075KB30.....	187
FS350PR.....	58	H1EM030BB30.....	187	H1EM075KB30S.....	183
FS350QR.....	56	H1EM030BB30S.....	183	H1EM075KK00.....	186
FS350SP.....	59	H1EM030BK00.....	185	H1EM075KK00S.....	182
FS350SR.....	59	H1EM030BK00S.....	181	H1EM075KK30.....	188
FS5000ACP.....	55	H1EM030BK30.....	187	H1EM075KK30S.....	184
FS5000MQMJ.....	56	H1EM030BK30S.....	183	H1EM075PB00.....	186
FS500ACP.....	55	H1EM030KB00.....	185	H1EM075PB00S.....	182
FS500AR.....	55	H1EM030KB00S.....	181	H1EM075PB30.....	188
FS500KHP.....	57	H1EM030KB30.....	187	H1EM075PB30S.....	184
FS500KHR.....	57	H1EM030KB30S.....	183	H1EM075PK00.....	186
FS500MQMJ.....	56	H1EM030KK00.....	186	H1EM075PK00S.....	182
FS500NJ.....	58	H1EM030KK00S.....	182	H1EM075PK30.....	188
FS500PR.....	58	H1EM030KK30.....	188	H1EM075PK30S.....	184
FS500QR.....	56	H1EM030KK30S.....	184	H1EM112BB00.....	185
FS500SP.....	59	H1EM030PB00.....	186	H1EM112BB00S.....	181
FS500SR.....	59	H1EM030PB00S.....	182	H1EM112BB30.....	187
FS50ACP.....	55	H1EM030PB30.....	188	H1EM112BB30S.....	183
FS50AR.....	55	H1EM030PB30S.....	184	H1EM112BK00.....	185
FS50KHP.....	57	H1EM030PK00.....	186	H1EM112BK00S.....	181
FS50KHR.....	57	H1EM030PK00S.....	182	H1EM112BK30.....	187
FS50MQMJ.....	56	H1EM030PK30.....	188	H1EM112BK30S.....	183
FS50NJ.....	58	H1EM030PK30S.....	184	H1EM112KB00.....	185
FS50PR.....	58	H1EM045BB00.....	185	H1EM112KB00S.....	181

Note: For DOE 2016 product information please see the HPS Sentinel® Energy Efficient Distribution Transformer Selection Guide (DOESEL15) or the HPS Millennium™ G Medium Voltage Transformer Selection Guide (MILGMED15)

GENERAL  
INFORMATION



# GENERAL INFORMATION

## ALPHA NUMERIC PART NUMBER INDEX

Catalog Part No.	Catalog Page No.	Catalog Part No.	Catalog Page No.	Catalog Part No.	Catalog Page No.
H1EM112KB30	187	H1EM225PB30	188	H1EM750BB30	187
H1EM112KB30S	183	H1EM225PB30S	184	H1EM750BB30S	183
H1EM112KK00	186	H1EM225PK00	186	H1EM750BK00	185
H1EM112KK00S	182	H1EM225PK00S	182	H1EM750BK00S	181
H1EM112KK30	188	H1EM225PK30	188	H1EM750BK30	187
H1EM112KK30S	184	H1EM225PK30S	184	H1EM750BK30S	183
H1EM112PB00	186	H1EM300BB00	185	H1EM750KB00	185
H1EM112PB00S	182	H1EM300BB00S	181	H1EM750KB00S	181
H1EM112PB30	188	H1EM300BB30	187	H1EM750KB30	187
H1EM112PB30S	184	H1EM300BB30S	183	H1EM750KB30S	183
H1EM112PK00	186	H1EM300BK00	185	H1EM750KK00	186
H1EM112PK00S	182	H1EM300BK00S	181	H1EM750KK00S	182
H1EM112PK30	188	H1EM300BK30	187	H1EM750KK30	188
H1EM112PK30S	184	H1EM300BK30S	183	H1EM750KK30S	184
H1EM150BB00	185	H1EM300KB00	185	H1EM750PB00	186
H1EM150BB00S	181	H1EM300KB00S	181	H1EM750PB00S	182
H1EM150BB30	187	H1EM300KB30	187	H1EM750PB30	188
H1EM150BB30S	183	H1EM300KB30S	183	H1EM750PB30S	184
H1EM150BK00	185	H1EM300KK00	186	H1EM750PK00	186
H1EM150BK00S	181	H1EM300KK00S	182	H1EM750PK00S	182
H1EM150BK30	187	H1EM300KK30	188	H1EM750PK30	188
H1EM150BK30S	183	H1EM300KK30S	184	H1EM750PK30S	184
H1EM150KB00	185	H1EM300PB00	186	M1PC005LESF	210
H1EM150KB00S	181	H1EM300PB00S	182	M1PC005LESF7	210
H1EM150KB30	187	H1EM300PB30	188	M1PC007LESF	210
H1EM150KB30S	183	H1EM300PB30S	184	M1PC007LESF7	210
H1EM150KK00	186	H1EM300PK00	186	M1PC010LESF	210
H1EM150KK00S	182	H1EM300PK00S	182	M1PC010LESF7	210
H1EM150KK30	188	H1EM300PK30	188	M1PC015LESF	210
H1EM150KK30S	184	H1EM300PK30S	184	M1PC015LESF7	210
H1EM150PB00	186	H1EM500BB00	185	M1PC025LESF	210
H1EM150PB00S	182	H1EM500BB00S	181	M1PC025LESF7	210
H1EM150PB30	188	H1EM500BB30	187	MV1S015REAF	219
H1EM150PB30S	184	H1EM500BB30S	183	MV1S015RECF	220
H1EM150PK00	186	H1EM500BK00	185	MV1S015SEAF	219
H1EM150PK00S	182	H1EM500BK00S	181	MV1S015SECF	220
H1EM150PK30	188	H1EM500BK30	187	MV1S025RECF	220
H1EM150PK30S	184	H1EM500BK30S	183	MV1S025REF	219
H1EM225BB00	185	H1EM500KB00	185	MV1S025SEAF	219
H1EM225BB00S	181	H1EM500KB00S	181	MV1S025SECF	220
H1EM225BB30	187	H1EM500KB30	187	MV1S037RE	219
H1EM225BB30S	183	H1EM500KB30S	183	MV1S037RECF	220
H1EM225BK00	185	H1EM500KK00	186	MV1S037SECF	220
H1EM225BK00S	181	H1EM500KK00S	182	MV1S037SEF	219
H1EM225BK30	187	H1EM500KK30	188	MV1S050RE	219
H1EM225BK30S	183	H1EM500KK30S	184	MV1S050RECF	220
H1EM225KB00	185	H1EM500PB00	186	MV1S050SE	219
H1EM225KB00S	181	H1EM500PB00S	182	MV1S050SECF	220
H1EM225KB30	187	H1EM500PB30	188	MV1S075RE	219
H1EM225KB30S	183	H1EM500PB30S	184	MV1S075REC	220
H1EM225KK00	186	H1EM500PK00	186	MV1S075SE	219
H1EM225KK00S	182	H1EM500PK00S	182	MV1S075SEC	220
H1EM225KK30	188	H1EM500PK30	188	MV1S100RE	219
H1EM225KK30S	184	H1EM500PK30S	184	MV1S100REC	220
H1EM225PB00	186	H1EM750BB00	185	MV1S100SE	219
H1EM225PB00S	182	H1EM750BB00S	181	MV1S100SEC	220

GENERAL INFORMATION

Note: For DOE 2016 product information please see the HPS Sentinel® Energy Efficient Distribution Transformer Selection Guide (DOESEL15) or the HPS Millennium™ G Medium Voltage Transformer Selection Guide (MILGMED15)



# GENERAL INFORMATION

## ALPHA NUMERIC PART NUMBER INDEX

Catalog Part No.	Catalog Page No.	Catalog Part No.	Catalog Page No.	Catalog Part No.	Catalog Page No.
MV1S150RE.....	219	MV3S075RPCF.....	223	MV3S150RK.....	221
MV1S150REC.....	220	MV3S075SBAF.....	222	MV3S150RKC.....	223
MV1S150SE.....	219	MV3S075SBCF.....	224	MV3S150RP.....	221
MV1S150SEC.....	220	MV3S075SKAF.....	222	MV3S150RPC.....	223
MV1S167RE.....	219	MV3S075SKCF.....	224	MV3S150SB.....	222
MV1S167REC.....	220	MV3S075SPAF.....	222	MV3S150SBCF.....	224
MV1S167SE.....	219	MV3S075SPCF.....	224	MV3S150SK.....	222
MV1S167SEC.....	220	MV3S1000RB.....	221	MV3S150SKCF.....	224
MV1S250RE.....	219	MV3S1000RBC.....	223	MV3S150SP.....	222
MV1S250REC.....	220	MV3S1000RK.....	221	MV3S150SPCF.....	224
MV1S250SE.....	219	MV3S1000RKC.....	223	MV3S225RB.....	221
MV1S250SEC.....	220	MV3S1000RP.....	221	MV3S225RBC.....	223
MV1S333RE.....	219	MV3S1000RPC.....	223	MV3S225RK.....	221
MV1S333REC.....	220	MV3S1000SB.....	222	MV3S225RKC.....	223
MV1S333SE.....	219	MV3S1000SBC.....	224	MV3S225RP.....	221
MV1S333SEC.....	220	MV3S1000SK.....	222	MV3S225RPC.....	223
MV3S015RBAF.....	221	MV3S1000SKC.....	224	MV3S225SB.....	222
MV3S015RBCF.....	223	MV3S1000SP.....	222	MV3S225SBC.....	224
MV3S015RKAF.....	221	MV3S1000SPC.....	224	MV3S225SK.....	222
MV3S015RKCF.....	223	MV3S112RB.....	221	MV3S225SKC.....	224
MV3S015RPAF.....	221	MV3S112RBCF.....	223	MV3S225SP.....	222
MV3S015RPCF.....	223	MV3S112RK.....	221	MV3S225SPC.....	224
MV3S015SBAF.....	222	MV3S112RKCF.....	223	MV3S300RB.....	221
MV3S015SBCF.....	224	MV3S112RP.....	221	MV3S300RBC.....	223
MV3S015SKAF.....	222	MV3S112RPCF.....	223	MV3S300RK.....	221
MV3S015SKCF.....	224	MV3S112SBAF.....	222	MV3S300RKC.....	223
MV3S015SPAF.....	222	MV3S112SBCF.....	224	MV3S300RP.....	221
MV3S015SPCF.....	224	MV3S112SKAF.....	222	MV3S300RPC.....	223
MV3S030RBAF.....	221	MV3S112SKCF.....	224	MV3S300SB.....	222
MV3S030RBCF.....	223	MV3S112SPAF.....	222	MV3S300SBC.....	224
MV3S030RKAF.....	221	MV3S112SPCF.....	224	MV3S300SK.....	222
MV3S030RKCF.....	223	MV3S1250RB.....	221	MV3S300SKC.....	224
MV3S030RPAF.....	221	MV3S1250RBC.....	223	MV3S300SP.....	222
MV3S030RPCF.....	223	MV3S1250RK.....	221	MV3S300SPC.....	224
MV3S030SBAF.....	222	MV3S1250RKC.....	223	MV3S500RB.....	221
MV3S030SBCF.....	224	MV3S1250RP.....	221	MV3S500RBC.....	223
MV3S030SKAF.....	222	MV3S1250RPC.....	223	MV3S500RK.....	221
MV3S030SKCF.....	224	MV3S1250RPC.....	223	MV3S500RKC.....	223
MV3S030SPAF.....	222	MV3S1250SB.....	222	MV3S500RP.....	221
MV3S030SPCF.....	224	MV3S1250SBC.....	224	MV3S500RPC.....	223
MV3S045RBAF.....	221	MV3S1250SK.....	222	MV3S500SB.....	222
MV3S045RBCF.....	223	MV3S1250SKC.....	224	MV3S500SBC.....	224
MV3S045RKAF.....	221	MV3S1250SP.....	222	MV3S500SK.....	222
MV3S045RKCF.....	223	MV3S1250SPC.....	224	MV3S500SKC.....	224
MV3S045RPAF.....	221	MV3S1500RB.....	221	MV3S500SKC.....	224
MV3S045RPCF.....	223	MV3S1500RBC.....	223	MV3S500SP.....	222
MV3S045SBAF.....	222	MV3S1500RKC.....	223	MV3S500SPC.....	224
MV3S045SBCF.....	224	MV3S1500RK.....	221	MV3S750RB.....	221
MV3S045SKAF.....	222	MV3S1500RKC.....	223	MV3S750RBC.....	223
MV3S045SKCF.....	224	MV3S1500RP.....	221	MV3S750RK.....	221
MV3S045SPAF.....	222	MV3S1500RPC.....	223	MV3S750RKC.....	223
MV3S045SPCF.....	224	MV3S1500RPC.....	223	MV3S750RK.....	221
MV3S075RB.....	221	MV3S1500SB.....	222	MV3S750RKC.....	223
MV3S075RBCF.....	223	MV3S1500SBC.....	224	MV3S750RP.....	221
MV3S075RK.....	221	MV3S1500SBC.....	224	MV3S750RPC.....	223
MV3S075RKCF.....	223	MV3S1500SK.....	222	MV3S750SB.....	222
MV3S075RPCF.....	223	MV3S1500SKC.....	224	MV3S750SBC.....	224
MV3S075RPF.....	221	MV3S1500SP.....	222	MV3S750SK.....	222
MV3S075RRCF.....	223	MV3S1500SPC.....	224	MV3S750SKC.....	224
MV3S075RPF.....	221	MV3S1500SPC.....	224	MV3S750SP.....	222
MV3S075RPF.....	221	MV3S1500SPC.....	224		

Note: For DOE 2016 product information please see the HPS Sentinel® Energy Efficient Distribution Transformer Selection Guide (DOESEL15) or the HPS Millennium™ G Medium Voltage Transformer Selection Guide (MILGMED15)



GENERAL INFORMATION



# GENERAL INFORMATION

## ALPHA NUMERIC PART NUMBER INDEX

Catalog Part No.	Catalog Page No.	Catalog Part No.	Catalog Page No.	Catalog Part No.	Catalog Page No.
MV3S750SPC.....	224	NMF075PE.....	163	NMK015PD.....	169
NMF015BE.....	162	NMF075PEC.....	164	NMK015PDCN.....	172
NMF015BEC.....	163	NMF075XE.....	163	NMK015PK.....	169
NMF015FE.....	162	NMF075XEC.....	164	NMK015PKCN.....	172
NMF015FEC.....	164	NMF100BE.....	162	NMK030BB.....	166
NMF015HE.....	162	NMF100BEC.....	163	NMK030BBC.....	169
NMF015HEC.....	164	NMF100FE.....	162	NMK030BK.....	166
NMF015LE.....	162	NMF100FEC.....	164	NMK030BKC.....	170
NMF015LEC.....	163	NMF100HE.....	162	NMK030DB.....	166
NMF015PE.....	163	NMF100HEC.....	164	NMK030DBC.....	170
NMF015PEC.....	164	NMF100LE.....	162	NMK030DK.....	167
NMF015XE.....	163	NMF100LEC.....	163	NMK030DKC.....	170
NMF015XEC.....	164	NMF100PE.....	163	NMK030KB.....	167
NMF025BE.....	162	NMF100PEC.....	164	NMK030KBCN.....	171
NMF025BEC.....	163	NMF100XE.....	163	NMK030KD.....	167
NMF025FE.....	162	NMF100XEC.....	164	NMK030KDCN.....	171
NMF025FEC.....	164	NMF150BE.....	162	NMK030KK.....	168
NMF025HE.....	162	NMF150BEC.....	163	NMK030KKCN.....	171
NMF025HEC.....	164	NMF150FE.....	162	NMK030KY.....	168
NMF025LE.....	162	NMF150FEC.....	164	NMK030PB.....	168
NMF025LEC.....	163	NMF150HE.....	162	NMK030PBCN.....	172
NMF025PE.....	163	NMF150HEC.....	164	NMK030PD.....	169
NMF025PEC.....	164	NMF150LE.....	162	NMK030PDC.....	172
NMF025XE.....	163	NMF150LEC.....	163	NMK030PK.....	169
NMF025XEC.....	164	NMF150PE.....	163	NMK030PKCN.....	172
NMF037BE.....	162	NMF150PEC.....	164	NMK045BB.....	166
NMF037BEC.....	163	NMF150XE.....	163	NMK045BBC.....	169
NMF037FE.....	162	NMF150XEC.....	164	NMK045BK.....	166
NMF037FEC.....	164	NMF167BE.....	162	NMK045BKC.....	170
NMF037HE.....	162	NMF167BEC.....	163	NMK045DB.....	166
NMF037HEC.....	164	NMF167FE.....	162	NMK045DBC.....	170
NMF037LE.....	162	NMF167FEC.....	164	NMK045DK.....	167
NMF037LEC.....	163	NMF167HE.....	162	NMK045DKC.....	170
NMF037PE.....	163	NMF167HEC.....	164	NMK045KB.....	167
NMF037PEC.....	164	NMF167LE.....	162	NMK045KBC.....	171
NMF037XE.....	163	NMF167LEC.....	163	NMK045KD.....	167
NMF037XEC.....	164	NMF167PE.....	163	NMK045KDC.....	171
NMF050BE.....	162	NMF167PEC.....	164	NMK045KK.....	168
NMF050BEC.....	163	NMF167XE.....	163	NMK045KKC.....	171
NMF050FE.....	162	NMF167XEC.....	164	NMK045KY.....	168
NMF050FEC.....	164	NMK015BB.....	166	NMK045PB.....	168
NMF050HE.....	162	NMK015BBCN.....	169	NMK045PBC.....	172
NMF050HEC.....	164	NMK015BK.....	166	NMK045PD.....	169
NMF050LE.....	162	NMK015BKCN.....	170	NMK045PDC.....	172
NMF050LEC.....	163	NMK015DB.....	166	NMK045PK.....	169
NMF050PE.....	163	NMK015DBCN.....	170	NMK045PKC.....	172
NMF050PEC.....	164	NMK015DK.....	167	NMK075BB.....	166
NMF050XE.....	163	NMK015DKCN.....	170	NMK075BBC.....	169
NMF050XEC.....	164	NMK015KB.....	167	NMK075BK.....	166
NMF075BE.....	162	NMK015KBCN.....	171	NMK075BKC.....	170
NMF075BEC.....	163	NMK015KD.....	167	NMK075DB.....	166
NMF075FE.....	162	NMK015KDCN.....	171	NMK075DBC.....	170
NMF075FEC.....	164	NMK015KK.....	168	NMK075DK.....	167
NMF075HE.....	162	NMK015KKCN.....	171	NMK075DKC.....	170
NMF075HEC.....	164	NMK015KY.....	168	NMK075KB.....	167
NMF075LE.....	162	NMK015PB.....	168	NMK075KBC.....	171
NMF075LEC.....	163	NMK015PBCN.....	172	NMK075KD.....	167

Note: For DOE 2016 product information please see the HPS Sentinel® Energy Efficient Distribution Transformer Selection Guide (DOESEL15) or the HPS Millennium™ G Medium Voltage Transformer Selection Guide (MILGMED15)



# GENERAL INFORMATION

## ALPHA NUMERIC PART NUMBER INDEX

Catalog Part No.	Catalog Page No.	Catalog Part No.	Catalog Page No.	Catalog Part No.	Catalog Page No.
NMK075KDC	171	NMK225DK	167	NMK750BKC	170
NMK075KK	168	NMK225DKC	170	NMK750DB	166
NMK075KCC	171	NMK225KB	167	NMK750DBC	170
NMK075KY	168	NMK225KBC	171	NMK750DK	167
NMK075PB	168	NMK225KD	167	NMK750DKC	170
NMK075PBC	172	NMK225KDC	171	NMK750KB	167
NMK075PD	169	NMK225KK	168	NMK750KBC	171
NMK075PDC	172	NMK225KCC	171	NMK750KD	167
NMK075PK	169	NMK225PB	168	NMK750KDC	171
NMK075PKC	172	NMK225PBC	172	NMK750KK	168
NMK112BB	166	NMK225PD	169	NMK750KCC	171
NMK112BBC	169	NMK225PDC	172	NMK750PB	168
NMK112BK	166	NMK225PK	169	NMK750PBC	172
NMK112BKC	170	NMK225PKC	172	NMK750PD	169
NMK112DB	166	NMK300BB	166	NMK750PDC	172
NMK112DBC	170	NMK300BBC	169	NMK750PK	169
NMK112DK	167	NMK300BK	166	NMK750PKC	172
NMK112DKC	170	NMK300BKC	170	NMT04K015KBF	176
NMK112KB	167	NMK300DB	166	NMT04K015KBS	176
NMK112KBC	171	NMK300DBC	170	NMT04K015PBF	176
NMK112KD	167	NMK300DK	167	NMT04K015PBS	176
NMK112KDC	171	NMK300DKC	170	NMT04K030KBKN	176
NMK112KK	168	NMK300KB	167	NMT04K030KBS	176
NMK112KCC	171	NMK300KBC	171	NMT04K030PBKN	176
NMK112KY	168	NMK300KD	167	NMT04K030PBS	176
NMK112PB	168	NMK300KDC	171	NMT04K045KBK	176
NMK112PBC	172	NMK300KK	168	NMT04K045KBS	176
NMK112PD	169	NMK300KCC	171	NMT04K045PBK	176
NMK112PDC	172	NMK300PB	168	NMT04K045PBS	176
NMK112PK	169	NMK300PBC	172	NMT04K075KBK	176
NMK112PKC	172	NMK300PD	169	NMT04K075KBS	176
NMK150BB	166	NMK300PDC	172	NMT04K075PBK	176
NMK150BBC	169	NMK300PK	169	NMT04K075PBS	176
NMK150BK	166	NMK300PKC	172	NMT04K112KBK	176
NMK150BKC	170	NMK500BB	166	NMT04K112KBS	176
NMK150DB	166	NMK500BBC	169	NMT04K112PBK	176
NMK150DBC	170	NMK500BK	166	NMT04K112PBS	176
NMK150DK	167	NMK500BKC	170	NMT04K150KBK	176
NMK150DKC	170	NMK500DB	166	NMT04K150KBS	176
NMK150KB	167	NMK500DBC	170	NMT04K150PBK	176
NMK150KBC	171	NMK500DK	167	NMT04K150PBS	176
NMK150KD	167	NMK500DKC	170	NMT04K225KBK	176
NMK150KDC	171	NMK500KB	167	NMT04K225KBS	176
NMK150KK	168	NMK500KBC	171	NMT04K225PBK	176
NMK150KCC	171	NMK500KD	167	NMT04K225PBS	176
NMK150PB	168	NMK500KDC	171	NMT04K300KBK	176
NMK150PBC	172	NMK500KK	168	NMT04K300KBS	176
NMK150PD	169	NMK500KCC	171	NMT04K300PBK	176
NMK150PDC	172	NMK500PB	168	NMT04K300PBS	176
NMK150PK	169	NMK500PBC	172	NMT04K500KBK	176
NMK150PKC	172	NMK500PD	169	NMT04K500KBS	176
NMK225BB	166	NMK500PDC	172	NMT04K500PBK	176
NMK225BBC	169	NMK500PK	169	NMT04K500PBS	176
NMK225BK	166	NMK500PKC	172	NMT04K750KBK	176
NMK225BKC	170	NMK750BB	166	NMT04K750KBS	176
NMK225DB	166	NMK750BBC	169	NMT04K750PBK	176
NMK225DBC	170	NMK750BK	166	NMT04K750PBS	176

Note: For DOE 2016 product information please see the HPS Sentinel® Energy Efficient Distribution Transformer Selection Guide (DOESEL15) or the HPS Millennium™ G Medium Voltage Transformer Selection Guide (MILGMED15)

GENERAL INFORMATION



# GENERAL INFORMATION

## ALPHA NUMERIC PART NUMBER INDEX

Catalog Part No.	Catalog Page No.	Catalog Part No.	Catalog Page No.	Catalog Part No.	Catalog Page No.
NMT13K015KBKF.....	177	NMT20K112KBS.....	178	P045QKKF.....	205
NMT13K015KBS.....	177	NMT20K112PBK.....	178	P075KBKF.....	204
NMT13K015PBKF.....	177	NMT20K112PBS.....	178	P075KDKF.....	204
NMT13K015PBS.....	177	NMT20K150KBK.....	178	P075PBKF.....	204
NMT13K030KBKN.....	177	NMT20K150KBS.....	178	P075PDKF.....	205
NMT13K030KBS.....	177	NMT20K150PBK.....	178	P075QKKF.....	205
NMT13K030PBKN.....	177	NMT20K150PBS.....	178	P112KBKF.....	204
NMT13K030PBS.....	177	NMT20K225KBK.....	178	P112KDKF.....	204
NMT13K045KBK.....	177	NMT20K225KBS.....	178	P112PBKF.....	204
NMT13K045KBS.....	177	NMT20K225PBK.....	178	P112PDKF.....	205
NMT13K045PBK.....	177	NMT20K225PBS.....	178	P112QKKF.....	205
NMT13K045PBS.....	177	NMT20K300KBK.....	178	P150KBKF.....	204
NMT13K075KBK.....	177	NMT20K300KBS.....	178	P150KDKF.....	204
NMT13K075KBS.....	177	NMT20K300PBK.....	178	P150PBKF.....	204
NMT13K075PBS.....	177	NMT20K300PBS.....	178	P150PDKF.....	205
NMT13K075PBK.....	177	NMT20K500KBK.....	178	P150QKKF.....	205
NMT13K112KBK.....	177	NMT20K500KBS.....	178	PH1000AJ.....	36
NMT13K112KBS.....	177	NMT20K500PBK.....	178	PH1000MBMH.....	39
NMT13K112PBK.....	177	NMT20K500PBS.....	178	PH1000MEMX.....	40
NMT13K112PBS.....	177	NMT20K750KBK.....	178	PH1000MGJ.....	41
NMT13K112PDKF.....	177	NMT20K750KBS.....	178	PH1000MLI.....	40
NMT13K150KBK.....	177	NMT20K750PBK.....	178	PH1000MQMJ.....	37
NMT13K150KBS.....	177	NMT20K750PBS.....	178	PH1000PG.....	39
NMT13K150PBK.....	177	P002KBKB.....	204	PH1000PP.....	38
NMT13K150PBS.....	177	P002KDKB.....	204	PH1000SP.....	38
NMT13K225KBK.....	177	P002PBKB.....	204	PH100AJ.....	36
NMT13K225KBS.....	177	P002PDKB.....	205	PH100AR.....	36
NMT13K225PBK.....	177	P002QKKB.....	205	PH100MBMH.....	39
NMT13K225PBS.....	177	P003KBKB.....	204	PH100MEMX.....	40
NMT13K300KBK.....	177	P003KDKB.....	204	PH100MGJ.....	41
NMT13K300KBS.....	177	P003PBKB.....	204	PH100MLI.....	40
NMT13K300PBK.....	177	P003PDKB.....	205	PH100MQMJ.....	37
NMT13K300PBS.....	177	P003QKKB.....	205	PH100PG.....	39
NMT13K300PBK.....	177	P006KBKF.....	204	PH100PP.....	38
NMT13K500KBK.....	177	P006KDKF.....	204	PH100QR.....	37
NMT13K500KBS.....	177	P006PBKF.....	204	PH100SP.....	38
NMT13K500PBK.....	177	P006PDKF.....	205	PH1500AJ.....	36
NMT13K500PBS.....	177	P006QKKF.....	205	PH1500MBMH.....	39
NMT13K750KBK.....	177	P009KBKF.....	204	PH1500MQMJ.....	37
NMT13K750KBS.....	177	P009KDKF.....	204	PH1500PP.....	38
NMT13K750PBK.....	177	P009PBKF.....	204	PH150AJ.....	36
NMT13K750PBS.....	177	P009PDKF.....	205	PH150AR.....	36
NMT20K015KBKF.....	178	P009QKKF.....	205	PH150MBMH.....	39
NMT20K015KBS.....	178	P015KBKF.....	204	PH150MEMX.....	40
NMT20K015PBKF.....	178	P015KDKF.....	204	PH150MGJ.....	41
NMT20K015PBS.....	178	P015PBKF.....	204	PH150MLI.....	40
NMT20K030KBKN.....	178	P015PDKF.....	205	PH150MQMJ.....	37
NMT20K030KBS.....	178	P015QKKF.....	205	PH150PG.....	39
NMT20K030PBKN.....	178	P030KBKF.....	204	PH150PP.....	38
NMT20K030PBS.....	178	P030KDKF.....	204	PH150QR.....	37
NMT20K045KBK.....	178	P030PBKF.....	204	PH150SP.....	38
NMT20K045KBS.....	178	P030PDKF.....	205	PH250AJ.....	36
NMT20K045PBK.....	178	P030QKKF.....	205	PH250AR.....	36
NMT20K045PBS.....	178	P045KBKF.....	204	PH250MBMH.....	39
NMT20K075KBK.....	178	P045KDKF.....	204	PH250MEMX.....	40
NMT20K075KBS.....	178	P045PBKF.....	204	PH250MGJ.....	41
NMT20K075PBK.....	178	P045PDKF.....	205	PH250MLI.....	40
NMT20K075PBS.....	178				
NMT20K112KBK.....	178				

Note: For DOE 2016 product information please see the HPS Sentinel® Energy Efficient Distribution Transformer Selection Guide (DOESEL15) or the HPS Millennium™ G Medium Voltage Transformer Selection Guide (MILGMED15)



# GENERAL INFORMATION

## ALPHA NUMERIC PART NUMBER INDEX

Catalog Part No.	Catalog Page No.	Catalog Part No.	Catalog Page No.	Catalog Part No.	Catalog Page No.
PH250MQMJ	37	PH75SP	38	Q037FEKF	201
PH250PG	39	Q002DTCF	88, 89	Q037LEKF	201
PH250PP	38	Q002DTCF	155	Q037PEKF	202
PH250QR	37	Q002ERCF	88, 89	Q037XEKF	202
PH250SP	38	Q002ERCF	155	Q037YEKF	201
PH350AJ	36	Q002ESCF	88, 89	Q1C0DTCB	88, 89
PH350AR	36	Q002ESCF	155	Q1C0DTCB	155
PH350MBMH	39	Q002FEKF	201	Q1C0ERCB	88, 89
PH350MEMX	40	Q002LEKF	201	Q1C0ERCB	155
PH350MGJ	41	Q002PEKF	202	Q1C0ESCB	88, 89
PH350MLI	40	Q002PRCF	61	Q1C0ESCB	155
PH350MQMJ	37	Q002XEKF	202	Q1C0FEKB	201
PH350PG	39	Q002YEKF	201	Q1C0LEKB	201
PH350PP	38	Q003DTCF	88, 89	Q1C0PEKB	202
PH350QR	37	Q003DTCF	155	Q1C0PRCB	62
PH350SP	38	Q003ERCF	88, 89	Q1C0XEKB	202
PH500AJ	36	Q003ERCF	155	Q1C0YEKB	201
PH500AR	36	Q003ESCF	88, 89	Q1C5DTCF	88, 89
PH500MBMH	39	Q003ESCF	155	Q1C5DTCF	155
PH500MEMX	40	Q003FEKF	201	Q1C5ERCF	88, 89
PH500MGJ	41	Q003LEKF	201	Q1C5ERCF	155
PH500MLI	40	Q003PEKF	202	Q1C5ESCF	88, 89
PH500MQMJ	37	Q003PRCF	62	Q1C5ESCF	155
PH500PG	39	Q003XEKF	202	Q1C5FEKF	201
PH500PP	38	Q003YEKF	201	Q1C5LEKF	201
PH500QR	37	Q005DTCF	88, 89	Q1C5PEKF	202
PH500SP	38	Q005DTCF	155	Q1C5PRCF	62
PH50AJ	36	Q005ERCF	88, 89	Q1C5XEKF	202
PH50AR	36	Q005ERCF	155	Q1C5YEKF	201
PH50MBMH	39	Q005ESCF	88, 89	QC05DTCB	88, 89
PH50MEMX	40	Q005ESCF	155	QC05DTCB	155
PH50MGJ	41	Q005FEKF	201	QC05ERCB	88, 89
PH50MLI	40	Q005LEKF	201	QC05ERCB	155
PH50MQMJ	37	Q005PEKF	202	QC05ESCB	88, 89
PH50PG	39	Q005PRCF	62	QC05ESCB	155
PH50PP	38	Q005XEKF	202	QC05PRCB	62
PH50QR	37	Q005YEKF	201	QC10DTCB	88, 89
PH50SP	38	Q007FEKF	201	QC10DTCB	155
PH750AJ	36	Q007LEKF	201	QC10ERCB	88, 89
PH750MBMH	39	Q007PEKF	202	QC10ERCB	155
PH750MEMX	40	Q007XEKF	202	QC10ESCB	88, 89
PH750MGJ	41	Q007YEKF	201	QC10ESCB	155
PH750MLI	40	Q010FEKF	201	QC10PRCB	62
PH750MQMJ	37	Q010LEKF	201	QC15DTCB	88, 89
PH750PG	39	Q010PEKF	202	QC15DTCB	155
PH750PP	38	Q010XEKF	202	QC15ERCB	88, 89
PH750SP	38	Q010YEKF	201	QC15ERCB	155
PH75AJ	36	Q015FEKF	201	QC15ESCB	88, 89
PH75AR	36	Q015LEKF	201	QC15ESCB	155
PH75MBMH	39	Q015PEKF	202	QC15PRCB	62
PH75MEMX	40	Q015XEKF	202	QC20DTCB	88, 89
PH75MGJ	41	Q015YEKF	201	QC20DTCB	155
PH75MLI	40	Q025FEKF	201	QC20ERCB	88, 89
PH75MQMJ	37	Q025LEKF	201	QC20ERCB	155
PH75PG	39	Q025PEKF	202	QC20ESCB	88, 89
PH75PP	38	Q025XEKF	202	QC20ESCB	155
PH75QR	37	Q025YEKF	201	QC20PRCB	62

Note: For DOE 2016 product information please see the HPS Sentinel® Energy Efficient Distribution Transformer Selection Guide (DOESEL15) or the HPS Millennium™ G Medium Voltage Transformer Selection Guide (MILGMED15)

GENERAL  
INFORMATION



# GENERAL INFORMATION

## ALPHA NUMERIC PART NUMBER INDEX

Catalog Part No.	Catalog Page No.	Catalog Part No.	Catalog Page No.	Catalog Part No.	Catalog Page No.
QC25DTCB	88, 89	SP1000ACP	47	SP500AR	47
QC25DTCB	155	SP1000KHP	49	SP500KHP	49
QC25ERCB	88, 89	SP1000MQMJ	48	SP500KHR	49
QC25ERCB	155	SP1000NJ	50	SP500MQMJ	48
QC25ESCB	88, 89	SP1000SP	51	SP500NJ	50
QC25ESCB	155	SP100ACP	47	SP500PR	50
QC25PRCB	62	SP100AR	47	SP500QR	48
QC35DTCB	88, 89	SP100KHP	49	SP500SP	51
QC35DTCB	155	SP100KHR	49	SP500SR	51
QC35ERCB	88, 89	SP100MQMJ	48	SP50ACP	47
QC35ERCB	155	SP100NJ	50	SP50AR	47
QC35ESCB	88, 89	SP100PR	50	SP50KHP	49
QC35ESCB	155	SP100QR	48	SP50KHR	49
QC35PRCB	62	SP100SP	51	SP50MQMJ	48
QC50DTCB	88, 89	SP100SR	51	SP50NJ	50
QC50DTCB	155	SP1500ACP	45	SP50PR	50
QC50ERCB	88, 89	SP1500KHP	47	SP50QR	48
QC50ERCB	155	SP1500MQMJ	48	SP50SP	51
QC50ESCB	88, 89	SP1500NJ	50	SP50SR	51
QC50ESCB	155	SP1500SP	51	SP750ACP	47
QC50FECB	201	SP150ACP	47	SP750KHP	49
QC50LECB	201	SP150AR	47	SP750MQMJ	48
QC50PECB	202	SP150KHP	49	SP750NJ	50
QC50PRCB	62	SP150KHR	49	SP750SP	51
QC50XECB	202	SP150MQMJ	48	Y003CECB3LOU	213
QC50YECB	201	SP150NJ	50	Y003PKCB3LOU	213
QC75DTCB	88, 89	SP150PR	50	Y003QTCB3LOU	213
QC75DTCB	155	SP150QR	48	Y006CECB3LOU	213
QC75ERCB	88, 89	SP150SP	51	Y006PKCB3LOU	213
QC75ERCB	155	SP150SR	51	Y006QTCB3LOU	213
QC75ESCB	88, 89	SP2000ACP	47	Y009CECB3LOU	213
QC75ESCB	155	SP2000MQMJ	48	Y009PKCB3LOU	213
QC75FEKB	201	SP250ACP	47	Y009QTCF3LOU	213
QC75LEKB	201	SP250AR	47	Y015CECB3LOU	213
QC75PEKB	202	SP250KHP	49	Y015PKCB3LOU	213
QC75PRCB	62	SP250KHR	49	Y015QTCF3LOU	213
QC75XEKB	202	SP250MQMJ	48	Y030CECF3LOU	213
QC75YEKB	201	SP250NJ	50	Y030PKCF3LOU	213
RC0002M12	119	SP250PR	50	Y030QTCN3LOU	213
RC0004N65	119	SP250QR	48	Y045CECF3LOU	213
RC0008N30	119	SP250SP	51	Y045PKCN3LOU	213
RC0012N25	119	SP250SR	51	Y045QTCB3LOU	213
RC0018N15	119	SP3000ACP	47	Y075CECN3LOU	213
RC0025N12	119	SP3000MQMJ	48	Y075PKCN3LOU	213
RC0035P80	119	SP350ACP	47	Y075QTCB3LOU	213
RC0045P70	119	SP350AR	47	Y112PKCH3LOU	213
RC0055P50	119	SP350KHP	49	Y112QTCB3LOU	213
RC0080P40	119	SP350KHR	49	Y150PKCH3LOU	213
RC0110P30	119	SP350MQMJ	48	Y150QTCB3LOU	213
RC0130P20	119	SP350NJ	50	Y225PKCH3LOU	213
RC0160P15	119	SP350PR	50	Y225QTCB3LOU	213
RC0200P11	119	SP350QR	48	Y300PKCH3LOU	213
RC0250U90	119	SP350SP	51	Y500PKCH3LOU	213
RC0320U75	119	SP350SR	51		
RC0400U61	119	SP5000ACP	47		
RC0500U50	119	SP5000MQMJ	48		
RC0600U40	119	SP500ACP	47		

Note: For DOE 2016 product information please see the HPS Sentinel® Energy Efficient Distribution Transformer Selection Guide (DOESEL15) or the HPS Millennium™ G Medium Voltage Transformer Selection Guide (MILGMED15)



# GENERAL INFORMATION

**Yes, I am interested in receiving the following information on other HPS Products.**

Literature Name	Code	Qty
Transformer Products Catalog	HTP-16	_____
Medium Voltage Dry-Type Distribution (Power) Transformers	HPWR	_____
HPS North American Capabilities Brochure	HPSNACB	_____
HPS DOE 2016 Flyer	DOEFLY15	_____
HPS Spartan® Industrial Open Core & Coil Control Transformer Brochure	SPACON	_____
HPS Imperator® Encapsulated Machine Tool Industrial Control Transformers	ENCCON	_____
HPS Fortress™ Commercial Encapsulated Brochure	FORPOT	_____
HPS Titan® Series Encapsulated Distribution Transformer Brochure	TSETB8	_____
HPS PowerPlus™ Mini Power Center Brochure	PWRPLS11	_____
Installation, Operation & Maintenance Guide - For Dry-Type Transformer Which utilize a NH Series, NJ1, NJ2, NJ3 Or NJ4 Enclosure	IOMGDDI	_____
Installation, Operation & Maintenance Guide - For Single Phase Encapsulated Transformers Up To 50 kVA	IOMGE1PH	_____
Installation, Operation & Maintenance Guide - For Three Phase Encapsulated Transformers Up To 150 kVA	IOMGE3PH	_____
Installation, Operation & Maintenance Guide - For Dry-Type Transformer Which Utilize A NJ6, NJ7 or P Series Enclosure	IOMGPOW	_____

The literature listed above is available either electronically as a free PDF download or paper copies. To access the free PDF versions, please go to "<http://www.hammondpowersolutions.com/more/>". To receive paper copies of any of the catalogs, brochures or flyers shown above, please fill in the information below, photocopy this page and fax it to the following:

**FAX TO: Literature Services**  
 Hammond Power Solutions Inc.  
 Canada: (519) 822-9688  
 U.S.: (608) 356-2080

**E-MAIL: [catalog@hammondpowersolutions.com](mailto:catalog@hammondpowersolutions.com)**  
**Web: [www.hammondpowersolutions.com](http://www.hammondpowersolutions.com)**

My need for Transformer Products is Immediate  Future   
 Please send me the name of your local HPS Sales Representative   
 Please provide me with the name of the local Authorized HPS Distributor

Name: \_\_\_\_\_  
 Company: \_\_\_\_\_  
 Address: \_\_\_\_\_  
 City, State: \_\_\_\_\_  
 Zip Code: \_\_\_\_\_  
 Telephone: \_\_\_\_\_  
 Fax: \_\_\_\_\_

E-Mail Address: \_\_\_\_\_

**Please check one:**

- |   |   |
|---|---|
| <input type="checkbox"/> Electrical Distributor | <input type="checkbox"/> Electronic Distributor |
| <input type="checkbox"/> Contractor             | <input type="checkbox"/> Panel Builder          |
| <input type="checkbox"/> MRO                    | <input type="checkbox"/> OEM                    |
| <input type="checkbox"/> Consultant             | <input type="checkbox"/> Engineering Firm       |
| <input type="checkbox"/> Other: _____           |   |

Note: For DOE 2016 product information please see the HPS Sentinel® Energy Efficient Distribution Transformer Selection Guide (DOESEL15) or the HPS Millennium™ G Medium Voltage Transformer Selection Guide (MILGMED15)

