

INSTALLATION, OPERATION AND MAINTENANCE GUIDE

FOR INDOOR/OUTDOOR ENCAPSULATED THREE-PHASE TRANSFORMERS

Indoor/Outdoor Encapsulated Three-Phase Transformers



Three-Phase Up To 150 kVA

*The pictures used in this guide are only a representation
and may vary from the actual product.*

***Note: This guide is Trilingual
(English, French, Spanish)***

Literature No.: **IOMGE3PH**
Issue Date: June 2012

Safety Precautions

- (1) Do not lift or move a transformer without proper equipment and experienced personnel.
- (2) Do not install the transformer until a full inspection has been completed.
- (3) Use terminals only for electrical connections, and flexible connectors are recommended.
- (4) Connections should only be in accordance with the nameplate diagram or connection drawings.
- (5) Make sure all power is disconnected before attempting any work on a transformer.
- (6) Make certain all ground connections are complete and tightened before energizing the transformer.
- (7) Do not attempt to change any taps - primary or secondary, while the transformer is energized.
- (8) Do not change connections when a transformer is under excitation.
- (9) Do not adjust or remove any accessories or cover plates while the transformer is energized.

Class 1, Division 2, Hazardous Location Installation Requirements

If this unit is designed for use in Class 1, Division 2, Groups A, B, C & D hazardous locations then also refer to notes below:

- (1) Power, input and output (I/O) wiring must be in accordance with Class 1, Division 2 wiring methods as per Article 501-10 (b) of the National Electrical Code.
- (2) **WARNING - EXPLOSION HAZARD - DO NOT DISCONNECT EQUIPMENT UNLESS POWER HAS BEEN SWITCHED OFF OR THE AREA IS KNOWN TO BE NON-HAZARDOUS.**

CONTENTS

General Information	3
Handling	3
Receiving & Inspection	3
Storage	3
Installation	3
Ventilation	4
Accessibility	4
Sound Levels	4
Cable Connections	4
Grounding	4
Inspection Before Energization	5
Operation	5
Maintenance	5
Diagrams 1 and 2	6

INSTALLATION, OPERATION AND MAINTENANCE OF THREE-PHASE ENCAPSULATED TRANSFORMERS

GENERAL

Three phase encapsulated transformers are manufactured to provide optimum performance for a lifetime of uninterrupted service. Careful attention to the following instructions is recommended for safe and reliable operation.

Installation, operation and maintenance of transformers should be performed by qualified persons, familiar with electrical apparatus and the potential hazards involved.

Warning: Danger! There is the potential of electric shock whenever working in or around electrical equipment such as transformers. Power must be shut off before any work is conducted on a transformer.

As with any electrical device, transformers must be installed according to the requirements of the national, and local electrical codes. Refer to ANSI/IEEE C57-94 may also be referred to for recommended installation, application, operation and maintenance of dry type transformers.

HANDLING

Transformers are either shipped in cartons or palletized. The units on pallets can either be lifted via a forklift truck or hoisted by the lifting lugs provided.

Appropriate lifting equipment should be used relative to the size of each transformer. No attempt should be made to lift or move a transformer from any points on the unit other than those indicated.

Please Note: On units bolted to the pallets, please remove all the shipping bolts located at the mounting holes.

RECEIVING & INSPECTION

Immediately after receiving the transformer, it should be inspected for any transit damage and for correctness against the shipping documents.

The unit should be examined for any breaks in its packaging, dented or damaged enclosures or missing parts from the packing list.

If any damage is noted, a claim should be filed immediately with the carrier and a second copy of all pertinent information relative to the order and the circumstances should be filed with the local sales office.

STORAGE

Transformers that will not be immediately installed and energized, should be stored in a clean dry environment away from any environmental airborne contaminants.

It is recommended that transformers be stored in a heated building, in the original packaging.

INSTALLATION

All encapsulated transformers are supplied with a NEMA 3R enclosure. NEMA 3R units may be installed indoors, or outdoors where applicable.

For any outdoor location, the appropriate applicable codes must be followed including cable installation and hardware suitable for outdoor service. Water tight couplings must be used at the knockouts.

Encapsulated transformers must be located in an upright position on walls, posts, beams or other locations capable of supporting their weight.

If the application of the encapsulated units stored or installed outdoors, will require a NEMA 4 or 12 rating you must install an optional gasket kit which will ensure the unit meets a NEMA 4 or 12 rating as to prevent the ingress of moisture.

Mounting Instructions (refer to Diagram 1)

1. Select an installation location that is on a noncombustible surface.
2. The mounting location must allow for air circulation around the transformer for cooling purposes. Please refer to the minimum distances stated in the ventilation section.
3. Using the appropriate mounting template provided, drill the top two mounting holes on the mounting surface.
4. Lift the transformer into position and install the top two mounting bolts.
5. With the transformer hanging on the top two mounting bolts, level the unit, then with the wiring compartment cover open, mark and drill the lower mounting hole(s) into the mounting surface.
6. To provide NEMA 3R protection (protection from falling rain), the transformer must be mounted vertically with the mounting tabs facing up. For NEMA 4 or 12 rating install the appropriate optional gasket kit.
7. Install the lower mounting bolt, lock washer, flat washer and rubber washer into the lower mounting hole(s) (refer to Diagram 2).

VENTILATION

Encapsulated transformers are required to be installed in an area where they can be cooled by means of the free circulation of air where the average ambient temperature is 30°C (86°F) and should not exceed 40°C (104°F) at any time.

Adequate ventilation is essential for transformers to meet their nameplate kVA capability. Multiple encapsulated transformers should be located at least 2 inches apart on units up to 10kVA and at least 4 inches apart on units over 10kVA, away from any other obstructions to allow free, clean circulation of air.

ACCESSIBILITY

NEC standards require that transformers be accessible for inspection and located accordingly. However, transformers should not be located in areas where stored items are likely to interfere with either natural air convection or the capability to have them inspected. Passage ways or other areas where people could be exposed to live parts during inspection should also be avoided.

Adequate protection should be provided under any circumstances.

TRANSFORMER SOUND LEVELS

Transformers are an electrically energized apparatus and by their nature emit sound due to their component materials.

Transformers are required to meet NEMA standards for the maximum sound levels permissible. These sound level standards vary from 40 to 60 dB and hence, can be an annoyance if located in close proximity to where people work or reside.

Care should therefore be exercised in selecting sites for transformers particularly to avoid sensitive areas like hospitals, classrooms, medical or office facilities.

The following guide lines may be helpful;

- ➔ Units should be mounted away from corners or reflecting walls or ceilings.
- ➔ Cable or other flexible conduit should be considered to make connections.
- ➔ Acoustically absorbing materials could be considered for walls and ceilings around the unit.
- ➔ The location of the unit should be located as far as practical from areas where sound levels could be considered undesirable.

CABLE CONNECTIONS

1. Open the wiring compartment by removing the four cover hex head cap screws and washers.
2. Terminals should be cleaned and electrical joint compounds are recommended for use on all electrical connections.
3. Make the appropriate electrical connection to suit the desired voltages as per the connection diagram on the nameplate. This includes the input connections, output connections and the ground.

WARNING: If this unit is designed for and to be used in Class 1, Division 2, Groups A, B, C and D hazardous locations than the power, input and output (1/0) wiring must be in accordance with Class 1, Division 2 wiring methods as per Articles 501-10 (b) of the National Electrical Code.

4. Make certain to insulate any unused wire leads with marrette connectors and electrical tape.
5. Close the wiring compartment and ensure that the cover screw is tightly secured.



The connecting cable size is determined from the line current rating of the transformers primary and secondary windings. Convenient pre-punched knockouts are provided on all transformer enclosures to facilitate cable entry. (***NOTE: Once a knockout is removed, encapsulated transformers CANNOT be returned, so ensure the correct unit is to be installed.***)

GROUNDING

All core and coil assemblies are solidly grounded to the enclosure internally to ensure that all conductive metal parts have the same potential.

The transformer enclosure in turn should also be securely and effectively grounded as a safety precaution. This grounding should be in accordance with national electrical code standards.

INSPECTION BEFORE ENERGIZATION

For the safe and proper operation of the transformer, we recommend that the following items be checked for completeness:

- a) The insulation resistance, enclosure to primary, enclosure to secondary and primary to secondary, should be greater than 10k ohms.
- b) Before energizing and connecting any loads, please measure and verify the output voltage matches nameplate specifications.
- c) Ensure correct phase connections. Refer to the nameplate vector diagram.
- d) The load on a delta secondary with a 120V center tap should not exceed the normal current rating of the winding. This center tap is designed for a maximum of 5% of the nameplate kVA.
- e) When windings are connected in parallel (as in the case of dual voltage primaries), the primary taps for all coils must be connected to the identical percentage tap positions to avoid the shorting of turns. For tap positions, refer to the transformer nameplate.
- f) The enclosure should be grounded with the appropriately sized conductor.
- g) The total load among all the phases should be balanced as much as possible for optimum performance of the transformers windings. Any 3 phase or single phase load may be connected to the transformer but the kVA loading on each phase must not exceed 1/3 of the nameplate kVA.
- h) The clearance and tightness of all electrical connections should be checked.
- i) For single phase 3-wire 240/120 volt loads, care must be taken to ensure the neutral current does not exceed 1/2 of the transformers kVA rating.

OPERATION

For all relatively normal and clean installations, encapsulated transformers will operate satisfactorily under normal conditions of energization and load.

For your reference, fully loaded transformers may be very warm to the touch, particularly on the top of the unit. Standards permit the temperatures of the enclosure to be 65°C over ambient. This represents normal loading and should not be of concern.

Encapsulated transformers are designed to operate continuously at their full nameplate kVA rating.

ANSI C57.96 provides guidance for loading transformers under different conditions including:

- Ambient temperatures that are varied from the ambient temperatures required for transformer operation.
- Short time overload as it relates to time and temperature and the corresponding loss of life of the transformer.

- Overload that results in a reduction of life expectancy of the transformer.

If the transformer is experiencing increased temperatures, the following load characteristics should be considered immediately:

- Rigorous motor starting loads or other impact type loading for which a specific transformer for that application is required.
- Over-excitation of unit due to excess supply line voltage or current.
- Ambient temperatures above standard.
- Overload beyond ANSI C57.96 guidelines.
- Harmonic distortions of the supply line voltage and currents.

MAINTENANCE

Under normal operating conditions and environments, encapsulated transformers do not require maintenance. However, periodic care and inspection is a good practice, particularly if the unit is exposed to extreme environmental conditions.

Peripheral inspection and external dust and dirt removal may be carried out while the transformer is in operation. However, access covers must not be opened under energized conditions.

The accumulation of ice or snow will not adversely effect the operation of encapsulated transformers. However, the accumulation of dust or dirt will effect the cooling of the transformer and may become a potential fire hazard.

Internal maintenance must be performed with a transformer de-energized, isolated and with the terminals grounded.

The ground connection should be checked to ensure a low impedance connection.

WARNING: If this unit is designed for and to be used in Class 1, Division 2, Groups A, B, C, and D hazardous locations; DO NOT DISCONNECT EQUIPMENT UNLESS POWER HAS BEEN SWITCHED OFF OR THE AREA IS KNOWN TO BE NON-HAZARDOUS

DIAGRAM 1: Typical NQT Series Enclosure Mounting for Three Phase Encapsulated Transformers. (For NQT2, NQT3, NQT4, NQT5 & NQT6 only)

Remove NQT enclosure cover to access the wiring compartment or to install optional NEMA 4/12 gasket.

Lifting provision on NQT4, NQT5 and NQT6 only.

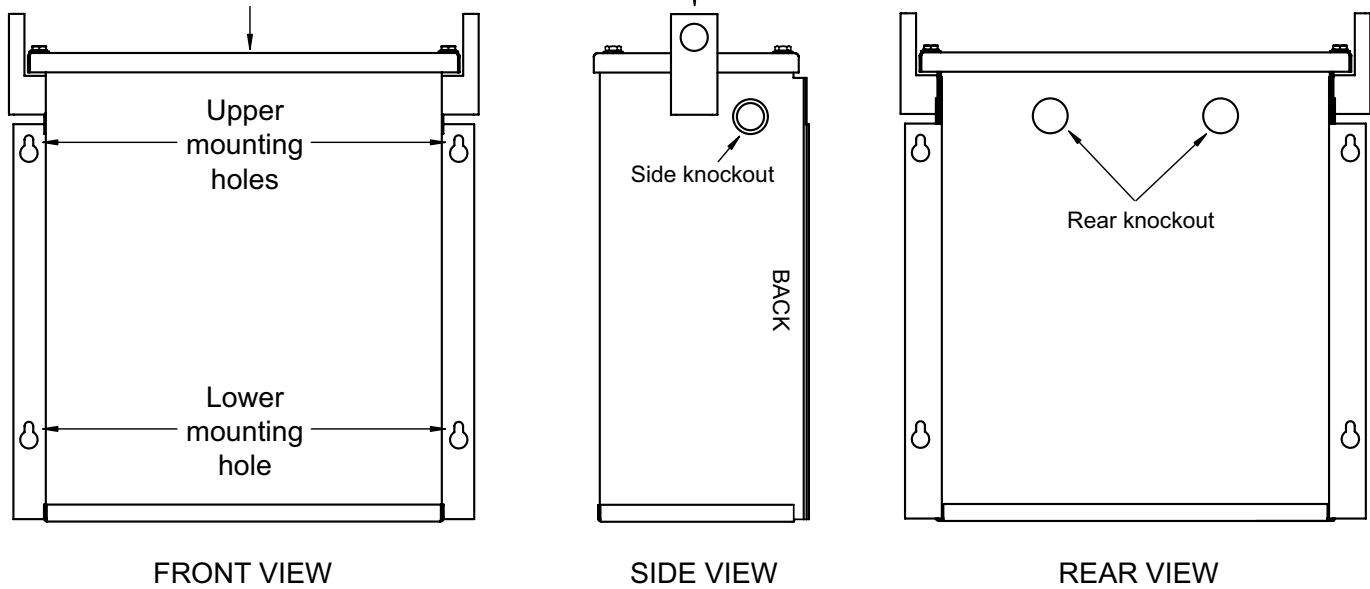
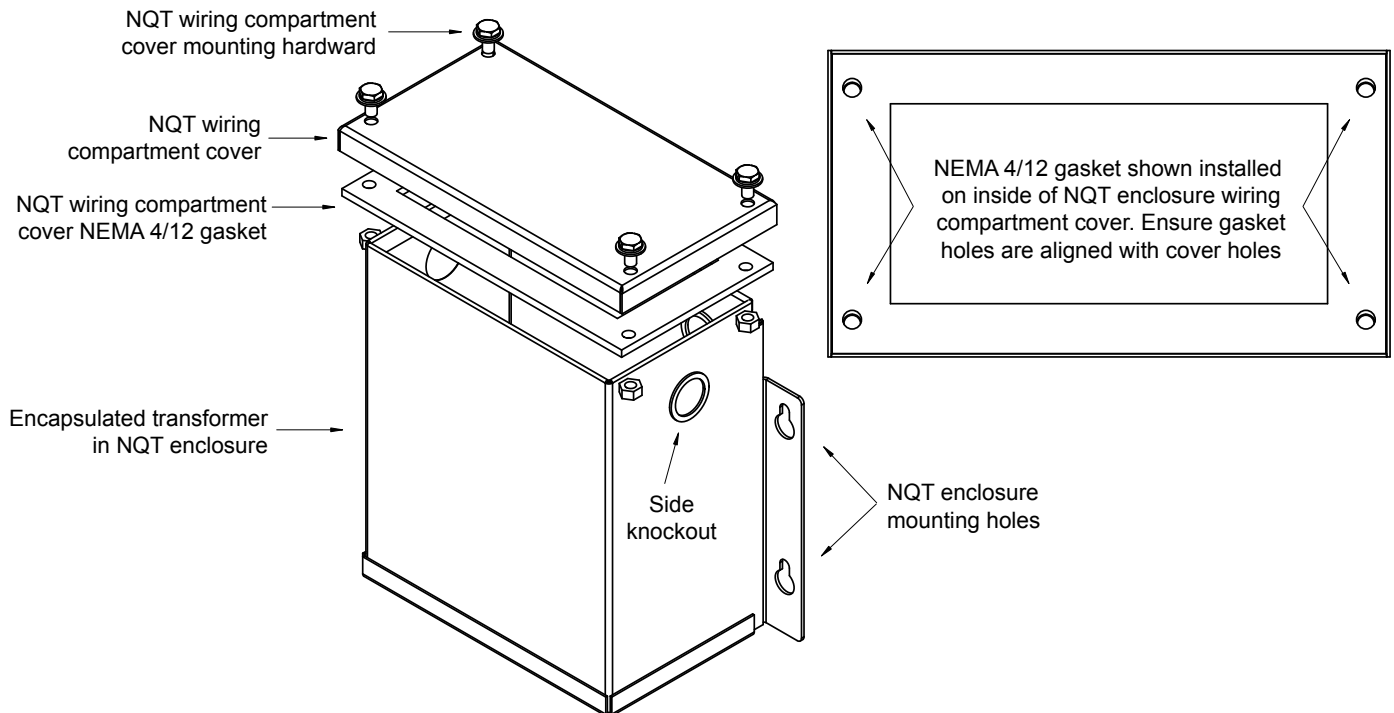


DIAGRAM 2: Typical NQT Enclosure Gasket Kit Installation Diagram to convert to a NEMA 4 or 12 Rating.



GUIDE D'INSTALLATION, DE FONCTIONNEMENT ET D'ENTRETIEN

POUR TRANSFORMATEURS ENCAPSULÉS TRIPHASÉS POUR L'INTÉRIEUR ET L'EXTÉRIEUR

Transformateurs encapsulés pour l'intérieur et l'extérieur



**Triphasé
Jusqu'à 150 kVA**

Les images utilisées dans ce guide ne sont qu'une représentation et peuvent varier du produit réel

N° de document : **IOMGE3PH**

Date de publication : Juin 2012

Consignes de sécurité

- (1) Ne levez pas et ne déplacez pas un transformateur sans disposer de l'équipement approprié et de personnel expérimenté.
- (2) N'installez pas le transformateur tant qu'une inspection complète n'a pas été effectuée.
- (3) N'utilisez les bornes que pour les branchements électriques. Il est recommandé d'utiliser des connecteurs flexibles.
- (4) Les branchements doivent respecter le schéma de la plaque signalétique ou les diagrammes de connexion.
- (5) Vérifiez que la source d'alimentation est coupée avant de commencer à travailler sur le transformateur.
- (6) Vérifiez que toutes les liaisons à la terre sont complètes et sont bien serrées avant de mettre le transformateur sous tension.
- (7) Ne tentez pas de changer des prises (primaires ou secondaires) lorsque le transformateur est sous tension.
- (8) Ne changez pas les branchements lorsque le transformateur est sous tension.
- (9) Ne réglez pas et ne retirez pas les accessoires ou les plaques de recouvrement lorsque le transformateur est sous tension.

Exigences pour l'installation dans des emplacements dangereux de classe 1, division 2

Si cet équipement est conçu pour une utilisation dans des endroits dangereux et non dangereux de classe 1, division 2, groupes A, B, C, D, référer aussi aux notes suivants:

- (1) L'alimentation ainsi que le câblage d'entrée et de sortie (I/O) doivent être conformes aux méthodes de câblage des équipements de division 2 décrites dans l'article 501-10(b) du Code national de l'électricité.
- (2) **AVERTISSEMENT - RISQUE D'EXPLOSION - NE PAS DÉBRANCHER CET ÉQUIPEMENT AVANT D'AVOIR COUPÉ LE COURANT OU QUE L'ENDROIT EST CONNU POUR ÊTRE NON DANGEREUX.**

TABLE DES MATIÈRES

Informations générales	9
Manutention	9
Contrôle de réception	9
Entreposage	9
Installation	9
Ventilation	10
Accessibilité	10
Niveaux de bruit	10
Branchement des câbles	10
Mise à la terre	10
Inspection avant la mise sous tension	11
Fonctionnement	11
Entretien	11
Schémas 1 et 2	12

INSTALLATION, FONCTIONNEMENT ET ENTRETIEN DES TRANSFORMATEURS ENCAPSULÉS

INFORMATIONS GÉNÉRALES

Les transformateurs triphasés encapsulés sont fabriqués pour fournir un rendement optimal pendant un cycle de vie de service continu. Pour un fonctionnement fiable et sans danger, nous vous recommandons de bien lire les consignes suivantes.

L'installation, le fonctionnement et l'entretien des transformateurs doivent être effectués par du personnel qualifiés, familier avec l'appareillage électrique utilisé et des dangers potentiels qu'il représente.

Avertissement : Danger ! Travailler sur un transformateur ou autour d'un équipement électrique similaire présente un risque de choc électrique. Il est indispensable de mettre hors tension la source d'alimentation électrique avant d'entreprendre des travaux sur un transformateur.

Comme pour tout appareil électrique, les transformateurs doivent être installés en conformité avec les codes nationaux et locaux de l'électricité. Veuillez également vous reporter à la norme ANSI/IEEE C57-94 pour les recommandations portant sur l'installation, l'utilisation, le fonctionnement et l'entretien des transformateurs de type sec.

MANUTENTION

Les transformateurs sont envoyés dans des boîtes ou en palettes. Les unités sur palettes peuvent être soulevées à l'aide d'un chariot élévateur à fourche ou levées par les anneaux de levage fournis.

L'équipement de levage doit être adapté à la taille de chaque transformateur. En aucun cas, un transformateur ne doit être soulevé ou déplacé en utilisant d'autres points d'ancrage que ceux indiqués sur l'appareil.

Remarque : Si le transformateur est fixé aux palettes, retirez les boulons de transport situés dans les orifices de montage.

CONTRÔLE DE RÉCEPTION

Immédiatement après avoir reçu le transformateur, une inspection doit être effectuée pour vérifier la présence de dommages éventuels survenus durant le transport ainsi que l'exactitude des documents d'expédition.

L'emballage sera examiné afin d'y détecter des bris, de voir si les boîtiers sont bosselés ou abîmés et si des pièces inscrites sur le bordereau de marchandises sont manquantes.

Si des dommages sont constatés, une réclamation doit immédiatement être effectuée avec le transporteur et une deuxième copie des renseignements concernant la commande et les problèmes survenus devrait être conservée dans le bureau de vente local.

ENTREPOSAGE

Les transformateurs qui ne sont pas immédiatement installés et mis sous tension doivent être entreposés dans un endroit propre et sec, à l'abri des contaminants atmosphériques environnants.

Nous recommandons d'entreposer les transformateurs dans un immeuble chauffé muni de l'emballage plastique d'origine.

INSTALLATION

Tous les transformateurs encapsulés sont fournis avec un boîtier NEMA 3R. Les unités NEMA 3R peuvent être installées à l'intérieur ou à l'extérieur, le cas échéant.

Pour les installations à l'extérieur, les codes en vigueur qui s'appliquent à l'installation doivent être respectés, notamment ceux concernant l'installation des câbles et le matériel convenant à une utilisation extérieure. Des connecteurs de conduits étanches doivent être utilisés aux endroits prévus (disques défonçables).

Les transformateurs encapsulés peuvent être installés à la verticale sur des murs, des poteaux, des poutres ou dans d'autres endroits pouvant supporter leur poids.

Si les unités encapsulées sont entreposées ou installées à l'extérieur et requièrent une norme NEMA 4 ou 12, vous devez installer un kit optionnel de joint d'étanchéité qui vous assurera de rencontrer ces normes et pour prévenir l'humidité, elles doivent être placées à la verticale, le compartiment de branchement vers le bas, pour éviter que l'humidité n'y pénètre.

Instructions de montage (Référez-vous à schéma 1)

1. Choisissez pour l'installation un emplacement dont la surface est non combustible.
2. L'emplacement choisi doit permettre à l'air de circuler librement pour assurer le refroidissement de l'appareil. Reportez-vous aux distances de dégagement minimales indiquées dans la section ventilation.
3. En vous servant du gabarit de montage approprié, percez les deux trous de fixation du haut sur la surface de fixation.
4. Soulevez le transformateur jusqu'à sa position de montage définitive et fixez les deux boulons de fixation du haut.
5. Mattez le transformateur à niveau. Ouvrez le couvercle du compartiment de branchement et marquez le ou les trous de fixation du bas, puis percez la surface de fixation.
6. Pour obtenir une protection NEMA 3R (protection contre la pluie), il faut monter le transformateur verticalement, les pattes de fixation vers le haut. Pour rencontrer la norme NEMA 4 ou 12, installer le kit optionnel de joint d'étanchéité.
7. Fixez le boulon de fixation du bas, la rondelle de blocage, la rondelle plate et la rondelle de caoutchouc dans le ou les trous de fixation du bas (voir schéma 2).

VENTILATION

Les transformateurs doivent être installés dans un endroit où ils pourront être refroidis par la circulation de l'air. La température ambiante moyenne doit être de 30 °C (86 °F) et ne jamais excéder 40 °C (104 °F).

Une bonne ventilation est indispensable pour que les transformateurs atteignent la capacité en kVA indiquée sur leur plaque signalétique. Lorsque plusieurs transformateurs encapsulés sont installés, ils doivent être à au moins 2 po. entre eux pour des unités jusqu'à 10kVA et à au moins 4 po. pour des unités plus grande que 10 kVA. De plus, ils doivent avoir les mêmes distances de tout obstacles, pour permettre la libre circulation de l'air frais.

ACCESSIBILITÉ

Il est prévu par les normes du Code national de l'électricité que les transformateurs soient accessibles pour l'inspection et que l'emplacement de l'installation soit choisi dans cette optique. Ils ne doivent donc pas être installés dans des locaux renfermant des objets entreposés risquant de faire obstacle à la circulation de l'air et aux inspections. Les passages et les endroits dans lesquels des personnes risquent d'être exposées à des pièces sous tension au cours de l'inspection doivent également être évités.

Une protection adéquate doit être assurée en toutes circonstances.

NIVEAUX DE BRUIT DU TRANSFORMATEUR

Les transformateurs sont des appareils alimentés par l'électricité, et lorsqu'ils sont en fonction, les matériaux qui sont nécessaires à leur construction émettent un certain bruit.

Les transformateurs doivent respecter les normes NEMA en matière de niveau sonore. Ces normes varient de 40 à 60 dB, ce qui peut constituer une source de gêne pour les personnes qui travaillent ou résident à proximité.

Il faut donc choisir avec soin leur emplacement d'installation et éviter tout particulièrement les zones sensibles comme les hôpitaux, les écoles, les établissements médicaux et les bureaux.

Les lignes directrices suivantes pourront se révéler utiles pour déterminer le bon emplacement d'installation.

- ➔ Les unités doivent être installées loin des angles et des murs ou plafonds réfléchissants.
- ➔ Pour les branchements, pensez à utiliser des câbles ou autres conduits flexibles.
- ➔ Pensez à installer des matériaux acoustiques absorbants sur les murs et les plafonds se trouvant autour du transformateur.
- ➔ Le transformateur doit se trouver aussi loin que possible des zones pour lesquelles le bruit pourrait constituer une gêne.

BRANCHEMENT DES CÂBLES

1. Ouvrez le compartiment de branchement en desserrant la vis du couvercle.
2. Les bornes devraient être nettoyées. Il est de plus recommandé d'utiliser un produit d'étanchéité pour raccordements électriques pour tous les branchements électriques.
3. Effectuez le branchement électrique qui convient aux tensions désirées en vous conformant au schéma électrique de la plaque signalétique (c.-à-d. les branchements pour l'entrée, la sortie et la mise à la terre).

Avertissement: *Si cette unité est conçue pour être utilisée des endroits dangereux de classe 1, division 2, groupes A, B, C, D. alors l'alimentation ainsi que le câblage d'entrée et de sortie (I/O) doivent être conformes aux méthodes de câblage des équipements de division 2 décrites dans l'article 501-10 (b) du Code national de l'électricité.*

4. Veillez à bien isoler les fils inutilisés avec des capuchons de connexion et du ruban isolant.
5. Refermez le compartiment de branchement et vérifiez que la vis du couvercle est bien serrée.



La taille du câble de branchement dépend du courant nominal des enroulements primaires et secondaires du transformateur. Des disques défonçables sont fournies avec tous les transformateurs pour faciliter le passage du câble. (REMARQUE : les transformateurs encapsulés dont les disques défonçables ont été retirés ne pourront être retournés donc assurez-vous de bien choisir l'unité à installer.)

MISE À LA TERRE

Toutes les pièces métalliques du noyau-bobines, non-porteuses de courant, sont reliées à la terre, via le connecteur de mise à la terre. L'intégrité équipotentielle y est maintenue.

Pour des raisons de sécurité, le boîtier du transformateur doit lui aussi être adéquatement relié à la terre. La mise à la terre doit être effectuée en conformité avec les normes du Code national électrique.

INSPECTION AVANT LA MISE SOUS TENSION

Pour un fonctionnement adéquat et sans danger du transformateur, nous recommandons que les éléments suivants soient également vérifiés:

- a) La résistance d'isolation, de la bobine à l'enroulement primaire, de la bobine à l'enroulement secondaire et de l'enroulement primaire au secondaire doit être supérieure à 10 kohms.
- b) Avant de brancher et de mettre la charge sous tension, mesurez la tension de sortie pour vérifier s'il correspond aux spécifications de la plaque signalétique.
- c) Assurez-vous de brancher les phases conformément au diagramme vectoriel de la plaque signalétique.
- d) La charge de l'enroulement delta secondaire comportant une prise centrale de 120 volts ne doit pas dépasser le courant nominal normal de l'enroulement. Cette prise centrale est conçue pour recevoir un maximum de 5% des kVA indiqués.
- e) Lorsque les enroulements sont branchés en parallèle (comme dans le cas d'enroulements primaires à bitension), les prises primaires de toutes les bobines doivent être branchées au même pourcentage de positions de prises pour éviter que les spires ne soient court-circuitées. Pour connaître les positions des prises, consultez la plaque signalétique du transformateur.
- f) Le boîtier doit être mis à la terre à l'aide d'un conducteur d'une taille adaptée.
- g) Dans la mesure du possible, la charge doit être répartie également entre les phases pour assurer le bon fonctionnement des enroulements du transformateur. Toute charge triphasée ou monophasée peut être branchée au transformateur; toutefois, la charge en kVA de chaque phase ne doit pas excéder 1/3 du régime nominal en kVA indiqué sur la plaque signalétique.
- h) Il faut vérifier que chaque branchement électrique est bien serré et suffisamment dégagé.
- i) Dans le cas de charges monophasées à 3 conducteurs de 240/120 volts, il est nécessaire de vérifier que le courant de neutre n'excède pas la moitié du régime nominal en kVA du transformateur.

FONCTIONNEMENT

Dans tous les cas d'installation normale et bien réalisée, les transformateurs encapsulés fonctionnent normalement dans des conditions normales de mise sous tension et de charge.

Pour votre information, un transformateur chargé peut s'avérer très chaud au toucher, particulièrement la partie supérieure de l'appareil.

Les normes permettent que les boîtiers de ce type d'appareil puissent atteindre jusqu'à 65 °C de plus que la température ambiante. Cette chaleur indique une charge normale et ne doit pas vous inquiéter.

Les transformateurs encapsulés sont conçus pour fonctionner en permanence selon la pleine capacité de kVA indiquée sur leur plaque signalétique.

Les normes C57.96 de l'ANSI donnent des directives pour le chargement des transformateurs dans différentes conditions, notamment :

- ➔ démarrage de moteur brusque ou autre type de charge brusque pour lequel un transformateur spécifique pour ce type d'application est requis;
- ➔ sur-excitation de l'unité à la suite d'une surtension de l'alimentation ou d'une surcharge.
- ➔ températures ambiantes supérieures à la normale.
- ➔ surcharge supérieure aux directives C57.96 de l'ANSI.
- ➔ distorsions harmoniques de la tension de la ligne d'alimentation et du courant.

ENTRETIEN

Dans des conditions de fonctionnement et des environnements normaux, les transformateurs encapsulés ne nécessitent aucun entretien. Il est cependant recommandé de procéder à un entretien et une inspection de routine, particulièrement si l'unité est exposée à des conditions climatiques extrêmes.

Une inspection des éléments externes et un nettoyage de la poussière et de la saleté accumulées sur le boîtier peuvent être effectués lorsque le transformateur fonctionne. Cependant, les couvercles d'accès ne doivent pas être ouverts lorsque l'appareil est sous tension.

L'accumulation de glace ou de neige ne compromet pas le fonctionnement des transformateurs encapsulés. Par contre, l'accumulation de poussière ou de saleté gêne le refroidissement de l'appareil et peut provoquer un risque d'incendie.

L'entretien interne doit être effectué sur un transformateur éteint, isolé, et dont les bornes sont mises à la terre.

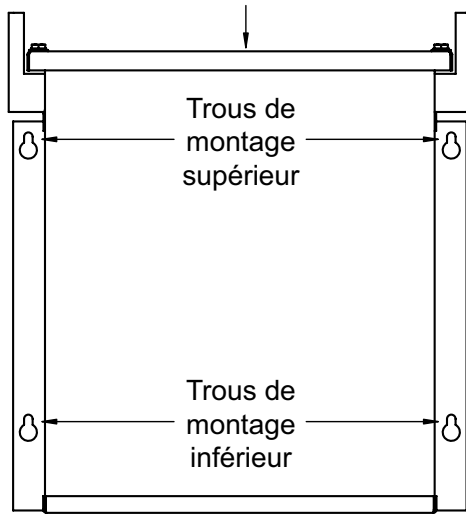
Il est nécessaire de vérifier la liaison à la terre pour garantir que le branchement est de faible impédance.

AVERTISSEMENT - Si cette unité est conçue pour et être utilisée des endroits dangereux de classe 1, division 2, groupes A, B, C, D. – NE PAS DÉBRANCHER CET ÉQUIPEMENT AVANT D'AVOIR COUPÉ LE COURANT OU QUE L'ENDROIT EST CONNU POUR ÊTRE NON DANGEREUX.

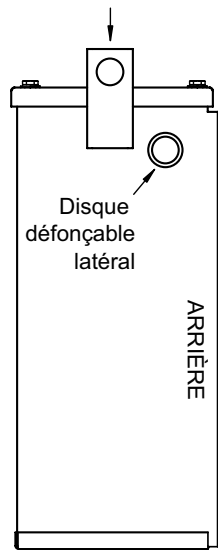
SCHÉMA 1: Montage typique du boîtier des séries NQT pour transformateurs encapsulés triphasés (pour NQT2, NQT3, NQT4, NQT5 & NQT6 seulement)

Enlever le couvercle du boîtier NQT pour accéder au câblage ou pour installer le kit optionnel de joint d'étanchéité NEMA 4/12

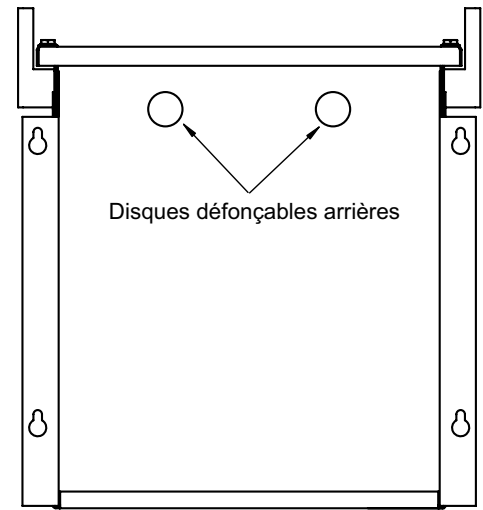
Languettes de soulèvement pour NQT4, NQT5 et NQT6 seulement.



VUE AVANT

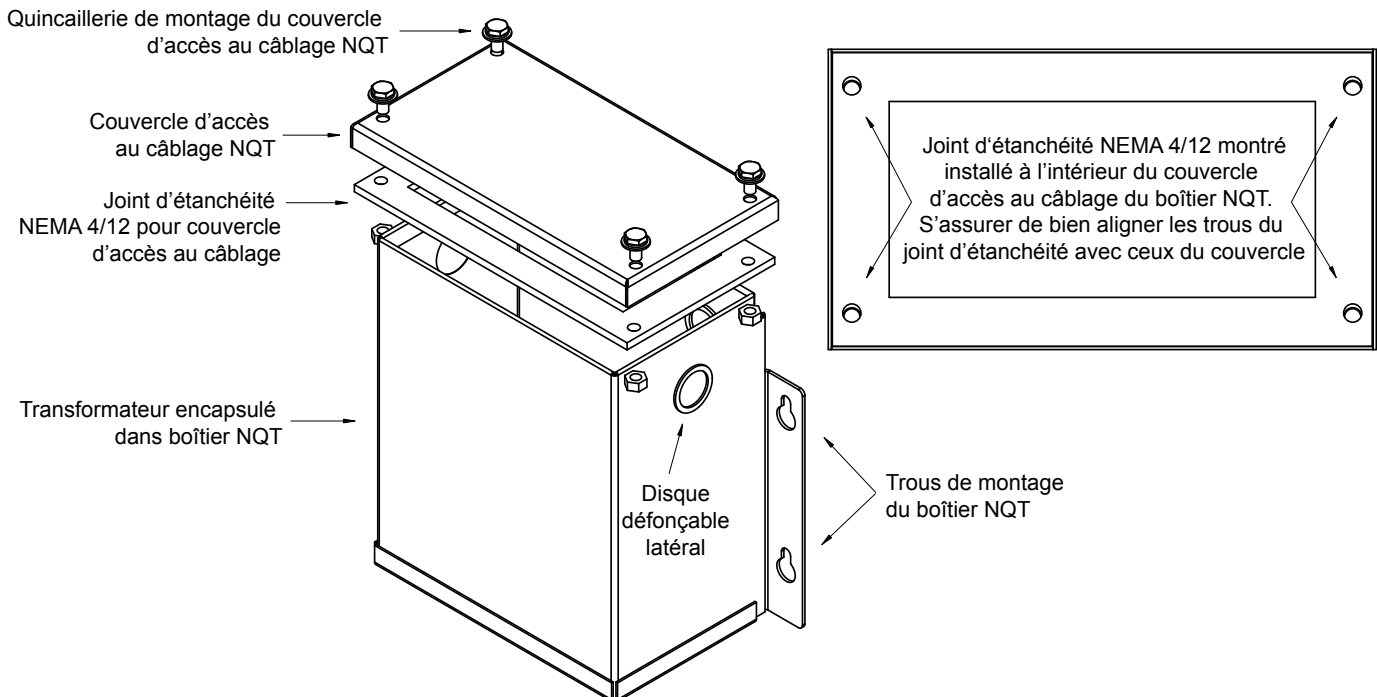


VUE LATÉRALE



VUE ARRIÈRE

SCHÉMA 2: Schéma typique d'installation du kit de joint d'étanchéité du boîtier NQT pour convertir aux normes NEMA 4 ou 12.



GUIA DE INSTALACION, OPERACION Y MANTENIMIENTO

TRANSFORMADORES MONOFASICOS CON GABINETE PARA INTERIORES Y EXTERIORES

Transformadores con gabinete para interiores y exteriores



**Monofásico
Hasta 150 kVA**

Las fotografías usadas en esta guía son solo una representación y pueden variar del producto real

N.º de folleto: **IOMGE3PH**
Fecha de emisión: De junio de 2012

Precauciones de seguridad

- (1) No levante ni traslade un transformador sin equipo apropiado ni personal experimentado.
- (2) No instale el transformador hasta que se haya realizado una inspección completa.
- (3) Utilice únicamente los terminales para conexiones eléctricas. Se recomiendan conectores flexibles.
- (4) Las conexiones solo deben realizarse siguiendo el diagrama de la placa de identificación o los diagramas de conexión.
- (5) Asegúrese de que toda la energía esté desconectada antes de iniciar cualquier trabajo en un transformador.
- (6) Asegúrese de que todas las conexiones a tierra estén completas y ajustadas antes de dar energía al transformador.
- (7) No intente cambiar ninguna derivación, primaria o secundaria, mientras el transformador esté energizado.
- (8) No cambie las conexiones cuando el transformador esté bajo excitación.
- (9) No ajuste ni retire ningún accesorio ni cubierta protectora mientras el transformador está energizado.

Sitio peligroso de clase 1, división 2 **Requisitos para la instalación**

Si esta unidad es diseñada para uso en locaciones peligrosas Clase 1, División 2, Grupos A, B, C & D, entonces refiérase también a las notas siguientes:

- (1) El cableado de energía, entrada y salida (I/O, por sus siglas en inglés) debe cumplir con los métodos de cableado de clase 1, división 2, de acuerdo con el Artículo 501-10 (b) del Código Eléctrico Nacional.
- (2) **ADVERTENCIA - PELIGRO DE EXPLOSION - NO DESCONECTE EL EQUIPO A MENOS QUE SE HAYA APAGADO LA ENERGIA O QUE EL AREA NO SEA PELIGROSA.**

CONTENIDO

Información general	15
Manipulación	15
Inspección y Recibo	15
Almacenamiento	15
Instalación	15
Ventilación	16
Accesibilidad	16
Niveles de ruido	16
Conexiones de cables	16
Conexión a tierra	16
Inspección antes de la energización	17
Operación	17
Mantenimiento	17
Diagramas 1 y 2	18

INSTALACIÓN, OPERACIÓN Y MANTENIMIENTO DE TRANSFORMADORES TRIFASICOS ENCAPSULADOS

GENERAL

Los transformadores trifasicos encapsulados se fabrican para brindar un rendimiento óptimo con una vida útil de servicio ininterrumpido. Se recomienda seguir al pie de la letra las siguientes instrucciones para lograr una operación segura y confiable.

La instalación, la operación y el mantenimiento de los transformadores deben ser realizados por personas calificadas, que tengan conocimiento sobre aparatos eléctricos y los posibles riesgos que conllevan.

Advertencia: Peligro! Existe el riesgo de descarga eléctrica cuando trabaja con o cerca de equipos eléctricos como los transformadores. Se debe desconectar la energía antes de realizar cualquier trabajo en un transformador.

Al igual que con cualquier dispositivo eléctrico, los transformadores se deben instalar de acuerdo con los requisitos de los códigos eléctricos nacionales y locales. También puede consultar la norma ANSI/IEEE C57-94 para conocer las recomendaciones de instalación, aplicación, operación y mantenimiento de transformadores de tipo seco.

MANIPULACIÓN

Los transformadores se envían en cajas de cartón o en tarimas. Las unidades en las tarimas se pueden elevar con un montacargas o se pueden levantar con las argollas de elevación provistas.

Se debe utilizar equipo de elevación apropiado para el tamaño de cada transformador. No se debe intentar elevar ni trasladar un transformador desde ningún otro punto de la unidad que no sean los puntos indicados.

Tenga en cuenta: En las unidades atornilladas a las tarimas, retire los tornillos de envío que se encuentran en los orificios de montaje superiores y los que se encuentran dentro del compartimiento de cableado.

INSPECCIÓN Y RECIBO

Inmediatamente después de recibir el transformador, se debe inspeccionar para detectar cualquier daño transitorio y para verificar la exactitud de los datos en comparación con los documentos de envío.

Se debe examinar la unidad para detectar cualquier daño en el embalaje, abolladura o daño en los gabinetes o piezas faltantes de la lista de empaque.

Si se observa algún daño, se debe presentar un reclamo de inmediato ante la empresa de transporte y una segunda copia ante la oficina local de ventas con toda la información pertinente con respecto al pedido y las circunstancias.

ALMACENAMIENTO

Los transformadores que no se instalarán y energizarán de inmediato, se deben guardar en un ambiente seco y limpio, alejados de cualquier contaminante ambiental en suspensión.

Se recomienda guardar los transformadores en un lugar con calefacción, en su embalaje de envío original.

INSTALACIÓN

Todos los transformadores trifasicos encapsulados vienen provistos de un recinto NEMA 3R. Las unidades NEMA 3R se pueden instalar en interiores, exteriores o donde sea necesario.

Para una ubicación en exteriores, se deben seguir los códigos aplicables adecuados, que incluyen la instalación de los cables y el equipo apropiado para el servicio exterior. Se deben usar acoplamientos herméticos en los knockouts.

Los transformadores con gabinete se deben ubicar en posición vertical apoyados en paredes, postes, vigas u otros lugares que puedan soportar el peso.

Si las unidades encapsuladas se van a guardar o instalar en exteriores. Requeriras criterios NEMA 4 o 12, y debes de instalar un KIT opcional que asegure que la unidad cumpla con los criterios de NEMA 4 o 12 para prevenir el ingreso de la humedad.

Instrucciones de montaje (Refierase la Diagrama 1)

1. Seleccione un lugar para la instalación que esté sobre na superficie no inflamable.
2. La ubicación de montaje debe permitir la circulación de aire alrededor del transformador para que pueda enfriarse. Consulte las distancias mínimas especificadas en la sección de ventilación.
3. Con la plantilla de montaje apropiada que viene con el equipo, perforo dos orificios de montaje superior en la superficie de montaje.
4. Levante el transformador hasta colocarlo en su posición e instale los dos tornillos de montaje superiores.
5. Con el transformador colgando sobre los dos pernos de montaje superiores, nivele la unidad y luego, con el compartimiento de cableado abierto, marque y perforo los orificios de montaje inferiores en la superficie de montaje.
6. Para brindar protección NEMA 3R (protección contra lluvia), el transformador debe estar montado verticalmente con las lengüetas de montaje orientadas hacia arriba para NEMA 4 o 12 instale el kit apropiado.
7. Instale el tornillo de montaje inferior, la arandela de presión, la arandela plana y la arandela de goma en el orificio de montaje inferior (refierase la Diagrama 2).

VENTILACIÓN

Los transformadores encapsulados se deben instalar en una área donde se puedan enfriar mediante la libre circulación de aire y donde la temperatura ambiente promedio sea de 30°C (86°F) y no supere los 40°C (104°F) en ningún momento.

La ventilación adecuada es esencial para que los transformadores alcancen la capacidad de kVa que figura en la placa de identificación. Todos los transformadores encapsulados para usos generales se deben ubicar por lo menos a 2 pulgadas (5 cm) en las unidades de hasta 10 kVa y a por lo menos 4 pulgadas (10 cm) en las unidades superiores a 10 kVa, alejados de paredes o de otras obstrucciones para permitir la libre y despejada circulación de aire.

ACCESIBILIDAD

Las normas NEC exigen que los transformadores sean accesibles para la inspección y que se ubiquen adecuadamente para tal fin. Sin embargo, los transformadores no se deben ubicar en áreas donde es probable que los elementos almacenados interfieran con la convección natural del aire o con la capacidad de inspeccionarlos. También se deben evitar los pasillos u otras áreas donde la gente pueda estar expuesta a piezas energizadas durante la inspección. Se debe proporcionar protección adecuada bajo cualquier circunstancia.

NIVELES DE RUIDO DEL TRANSFORMADOR

Los transformadores son aparatos energizados eléctricamente y por su naturaleza emiten ruidos debido a sus materiales componentes.

Los transformadores deben cumplir las normas NEMA para los niveles máximos de ruido permitidos. Estos niveles de ruido varían de 40 a 60 DB, y por lo tanto, pueden ser molestos si se encuentran en las inmediaciones de los lugares donde viven o trabajan personas.

Se debe tener cuidado al elegir los sitios para los transformadores, especialmente para evitar áreas sensibles como hospitales, escuelas, centros médicos u oficinas.

Las siguientes guías pueden ser útiles.

- Las unidades deben montarse alejadas de esquinas o de paredes o techos que produzcan reflejos.
- Los cables u otros conductos flexibles deben tenerse en cuenta para realizar conexiones.
- Los materiales absorbentes acústicamente se podrían tener en cuenta para las paredes y los techos alrededor de la unidad.
- La unidad debe ubicarse lo más alejada posible de las áreas donde los niveles de ruido podrían considerarse indeseables.

CONEXIONES DE CABLES

1. Abra el compartimiento de cableado aflojando los tornillos de la cubierta.
2. Los terminales se deben limpiar, y se recomienda usar compuestos de empalme eléctrico en todas las conexiones eléctricas.
3. Realice las conexiones eléctricas apropiadas para adaptarse a los voltajes deseados de acuerdo con el diagrama de conexión que figura en la placa de identificación. Esto incluye las conexiones de entrada, de salida y la conexión a tierra.

PELIGRO: Si esta unidad es diseñada para o va ser usada en, locaciones peligrosas Clase 1, División 2, Grupos A, B, C & D, entonces las conexiones eléctricas de entrada y salida deben estar de acuerdo con los métodos de conexión para Clase 1, División 2, según los Artículos 501-10 (b) del Código Nacional de Electricidad.

4. Asegúrese de aislar todos los cables conductores no utilizados con conectores Marrette y cinta aisladora.
5. Cierre el compartimiento de cableado y verifique que los tornillos de la cubierta esté firmemente ajustado.



El tamaño del cable de conexión se determina con la potencia de corriente de línea de los bobinados primarios y secundarios de los transformadores. Se suministran prácticos knockouts previamente perforados en todos los recintos de los transformadores para facilitar la entrada de los cables. (NOTA: Los transformadores encapsulados no se pueden devolver si se han retirado los knockouts, así que asegure que la unidad a instalar es la correcta).

CONEXIÓN A TIERRA

Todos los conjuntos de núcleo y bobina se conectan sólidamente a tierra del gabinete, en forma interna, para garantizar que todas las piezas metálicas conductoras tengan el mismo potencial.

El gabinete del transformador también debe tener una conexión a tierra segura y eficaz como precaución de seguridad. Esta conexión a tierra debe cumplir con las normas de los códigos eléctricos estandar.

INSPECCIÓN ANTES DE LA ENERGIZACIÓN

Para la operación segura y apropiada del transformador, recomendamos verificar que se hayan completado los siguientes pasos:

- a) La resistencia del aislamiento, el gabinete hasta el primario, el gabinete hasta el secundario y del primario al secundario, debe ser superior a 10 k ohmios.
- b) Antes de energizar y conectar cualquier carga, mida y verifique que el voltaje con las especificaciones de la placa de identificación.
- c) Verifique que las conexiones de fase sean correctas. Consulte el diagrama vectorial de la placa de identificación.
- d) La carga en una delta secundaria con una derivación central de 120 V no debe de exceder el rango de corriente normal del embobinado, esta derivación central está diseñado para un máximo del 5% de los kVA indicados en la placa de identificación.
- e) Cuando el embobinado está conectado en paralelo (como es el caso de voltajes primarios dobles o). Las derivaciones primarias de todas las bobinas deben de estar conectadas de igual manera para evitar un corto en las vueltas. Para las posiciones de las derivaciones, vease la placa de identificación del transformador.
- f) El gabinete debe estar conectado a tierra con el conductor del tamaño apropiado.
- g) La carga total de todas las fases debe de estar balanceada lo más posible para el funcionamiento óptimo del transformador. Cualquier carga trifásica o monofásica debe ser conectada al transformador, pero la carga en kVA en cada fase no debe exceder 1/3 del kVA indicados en la placa de identificación.
- h) Se debe verificar que todas las conexiones eléctricas respeten la distancia de seguridad y que estén ajustadas.
- i) Para las cargas monofásicas, de 3 hilos, de 240/ 120 voltios, se debe tener cuidado para garantizar que la corriente neutra no supere 1/2 de la potencia de kVA de los transformadores.

OPERACIÓN

Para todas las instalaciones relativamente normales y limpias, los transformadores encapsulados funcionarán satisfactoriamente en condiciones normales de energización y carga.

Para su referencia, los transformadores totalmente cargados pueden estar muy calientes al tacto, especialmente en la parte superior de la unidad.

Las normas permiten que las temperaturas del recinto sean de 65°C con respecto a la temperatura ambiente. Esto representa una carga normal y no debe ser motivo de preocupación.

Los transformadores encapsulados están diseñados para operar en forma continua a la potencia total de kVA que figura en la placa de identificación.

La norma ANSI C57.96 ofrece guías para la carga de transformadores en diferentes condiciones, entre ellas:

- ➔ Temperaturas ambiente que varían de las temperaturas

- ambientes exigidas para la operación de transformadores.
- ➔ Sobrecarga de corta duración que se relaciona con el tiempo y la temperatura y la correspondiente pérdida de la vida útil del transformador.
- ➔ Sobrecarga que provoque la reducción de la expectativa de vida útil del transformador.

Si el transformador presenta aumento de temperatura, se deben considerar de inmediato las siguientes características de carga:

- ➔ Cargas de arranque del motor rigurosas u otra carga de tipo impacto para la cual se requiere un transformador específico para esa aplicación.
- ➔ Excitación excesiva de la unidad debido a un exceso del voltaje o la corriente de la línea de alimentación.
- ➔ Temperaturas ambiente superiores a las estándar.
- ➔ Sobrecarga superior a la indicada en las pautas ANSI C57.96.
- ➔ Distorsiones armónicas del voltaje y las corrientes

MANTENIMIENTO

En condiciones normales de funcionamiento y ambientales, los transformadores encapsulados no requieren mantenimiento. Sin embargo, es una buena práctica realizar el cuidado y la inspección periódica, especialmente si la unidad está expuesta a condiciones ambientales extremas.

La inspección periférica y la remoción del polvo y la suciedad externa se deben realizar mientras el transformador está en funcionamiento. Sin embargo, no se deben abrir las cubiertas de acceso si el transformador está energizado.

La acumulación de hielo o nieve no afectará negativamente el funcionamiento de los transformadores con gabinete. Sin embargo, la acumulación de polvo o suciedad afectará el enfriamiento del transformador y podría representar un riesgo de incendio.

El mantenimiento interno se debe realizar con un transformador desenergizado, aislado y con los terminales con conexión a tierra.

Se debe verificar la conexión a tierra para garantizar que sea una conexión de baja impedancia.

PELIGRO: Si esta unidad es diseñada para o va ser usada en, locaciones peligrosas Clase 1, División 2, Grupos A, B, C & D, NO DESCONECTE EL EQUIPO A NO SER QUE LA ELECTRICIDAD HAYA SIDO DECONECTADA O HASTA ESTAR SEGURO QUE EL AREA ES FUERA DE PELIGRO.

DIAGRAMA 1: Montaje típico de gabinetes NQT para transformadores trifásicos, encapsulados. (para NQT2, NQT3, NQT4, NQT5 & NQT6 solamente)

Remover cubierta de gabinete NQT para acceder el compartimiento de los alambres o hacer la instalación opcional de la cubierta NEMA 4/12

Para levantar gabinete NQT4, NQT5 y NQT6 solamente.

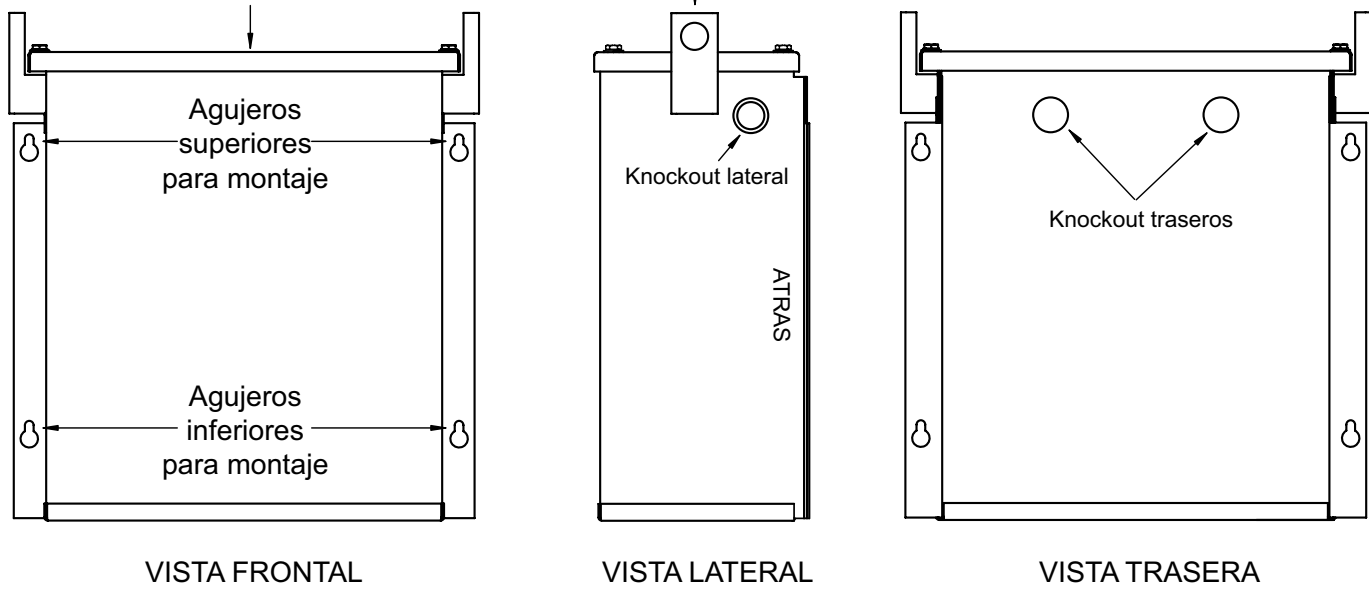


DIAGRAMA 2: Diagrama de instalación típico para gabinete NQT para convertir a rango NEMA 4 o 12 .

