



HPS Fortress™

Encapsulated Transformers
for Commercial Applications

power to perform

HPS Fortress™

Encapsulated Transformers for Commercial Applications

HPS Fortress™ is an innovative design that provides the ideal solution for commercial applications where **quality, ease of installation and low cost** are key.

All units are encapsulated with electrical grade silica sand and resin compounds, which completely enclose the core and coil to seal out moisture, airborne contaminants and eliminates corrosion and deterioration.

APPROVALS

- UL Listed, file No. E50394
- CSA Certified file No. LR3902



APPLICATIONS



Shopping Centers



Schools



Sports Complexes



Office Buildings



Lighting



Wastewater

STANDARD FEATURES

| Features | Single Phase | Three Phase |
|--------------------------|--|--|
| Voltage Groups | 9 standard voltage groups | 8 standard voltage groups |
| Ratings | From 50VA to 37.5kVA | From 2kVA to 75kVA |
| Shield | Standard shield from 750VA and up | Standard shield on all units |
| Frequency | 60Hz (50Hz standard on four voltage groups) | 60Hz standard on all voltage groups |
| Connection | Standard via copper leads | |
| Enclosure | Type 3R | Type 3R (Type 4/12 with optional gasket kit installed) |
| Conduit Knockouts | For rear and side entry into an easily accessible and roomy compartment. | |
| Installation | Wall mounting up to 25kVA, optional wall mounting bracket available on 37.5kVA. Wall mounting template supplied. | Wall mounting up to 9kVA, optional wall mounting bracket available on 15kVA, 30kVA and 45kVA. Wall mounting template supplied. |
| Warranty | All HPS standard catalog encapsulated transformers come with a 10 year limited* warranty | |

*Please refer to the HPS standard Catalog Transformer Products Warranty for full details.

Installation made quick and easy with keyhole mounting slots and supplied wall mounting template.

Type 3R enclosure meets or exceeds listing criteria including NEMA and ANSI standards for indoor and outdoor applications.

Rear and side entry conduit knockouts into an easily accessible and roomy wiring compartment.



Totally enclosed to seal out moisture and airborne contaminants.

Easily accessible nameplate. All three phase units come standard with two nameplates. One on the front and one on the inside top cover.

All units are encapsulated with electrical grade silica sand and resin compounds.



*Picture displayed above is of a standard single phase unit.

HPS FORTRESS™ ACCESSORIES

Wall Mounting Kit

The following wall mounting kits are available:

| Enclosure Case Style* | Mounting Type | Wall Mounting Kit Part Number |
|-----------------------|---------------|-------------------------------|
| NQ0-NQ8 | Wall | Included |
| NQS10 | Wall or Floor | NQTW2 |
| NQT3-NQT6 | Wall | Included |
| NQT7-NQT8 | Wall or Floor | NQTW1 |
| NQT9A | Floor | N/A |
| NQT9 | Wall or Floor | NQTW2 |

*Applies to HPS Fortress line only.

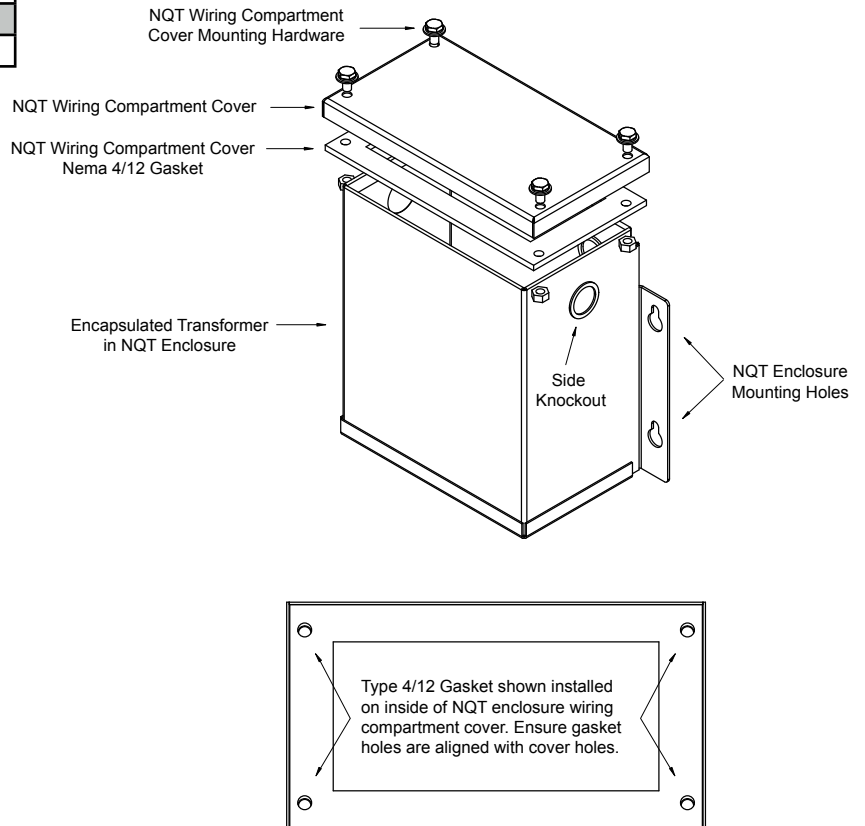
Features include:

- Manufactured from heavy-duty angle steel for maximum support.
- Wall mounting brackets are finished in matching ANSI 61 UL 50 Grey.
- All hardware required to attach to the transformer is supplied.
- Mounting brackets come with three wall mounting holes for maximum holding strength.

Optional Type 4/12 Gasket Kits

Three phase HPS Fortress™ encapsulated transformers in standard Type 3R rated NQT enclosures, can easily be converted to a Type 4 or 12 rating by ordering and installing the appropriate optional gasket kit as listed in the table below.

| Enclosure Case Style | Gasket Kit P/N |
|----------------------|----------------|
| NQT3 | NQT3GK |
| NQT4 | NQT4GK |
| NQT5 | NQT5GK |
| NQT6 | NQT6GK |
| NQT7 | NQT7GK |
| NQT8 | NQT8GK |
| NQT9 | NQT9GK |
| NQT9A | NQT9AGK |



HPS TITAN® SERIES

Did you know...

HPS also has an industrial line of encapsulated transformers called the HPS Titan® Series. These transformers are UL Listed for "Class 1, Division 2 Groups A, B, C and D Hazardous Locations" and also meets ABS Type Approval for "Marine Duty Service and Offshore Applications - Electrical Distribution and Propulsion." Please contact your HPS sales representative for more details.



SINGLE PHASE SPECIFICATIONS

120 x 240V Primary
120/240V Secondary 60 Hz

| kVA Rating | Catalog Number | Case Style | Approx. Weight |
|------------|----------------|------------|----------------|
| 0.05 | C1FC05EE | NQ0 | 7 |
| 0.10 | C1FC10EE | NQ0 | 7 |
| 0.15 | C1FC15EE | NQ0 | 8 |
| 0.25 | C1FC25EE | NQ0 | 9 |
| 0.35 | C1FC35EE | NQ1 | 15 |
| 0.50 | C1FC50EE | NQ1 | 16 |
| 0.75 | C1FC75EES | NQ2 | 23 |
| 1 | C1F1C0EES | NQ3 | 24 |
| 1.5 | C1F1C5EES | NQ3 | 33 |
| 2 | C1F002EES | NQ4 | 42 |
| 3 | C1F003EES | NQ4 | 55 |
| 5 | C1F005EES | NQ5 | 96 |
| 7.5 | C1F007EES | NQ6A | 148 |
| 10 | C1F010EES | NQ6 | 178 |

208 x 416V Primary
120/240V Secondary 60 Hz

| kVA Rating | Catalog Number | Case Style | Approx. Weight |
|------------|----------------|------------|----------------|
| 0.05 | C1FC05GE | NQ0 | 7 |
| 0.10 | C1FC10GE | NQ0 | 7 |
| 0.15 | C1FC15GE | NQ0 | 8 |
| 0.25 | C1FC25GE | NQ0 | 9 |
| 0.35 | C1FC35GE | NQ1 | 15 |
| 0.50 | C1FC50GE | NQ1 | 16 |
| 0.75 | C1FC75GES | NQ2 | 23 |
| 1 | C1F1C0GES | NQ3 | 24 |
| 1.5 | C1F1C5GES | NQ3 | 33 |
| 2 | C1F002GES | NQ4 | 42 |
| 3 | C1F003GES | NQ4 | 55 |
| 5 | C1F005GES | NQ5 | 96 |
| 7.5 | C1F007GES | NQ6A | 148 |
| 10 | C1F010GES | NQ6 | 178 |

120/208/240/277V Primary
120/240V Secondary 60 Hz

| kVA Rating | Catalog Number | Case Style | Approx. Weight |
|------------|----------------|------------|----------------|
| 0.05 | C1FC05WE | NQ0 | 7 |
| 0.10 | C1FC10WE | NQ0 | 7 |
| 0.15 | C1FC15WE | NQ0 | 8 |
| 0.25 | C1FC25WE | NQ1 | 10 |
| 0.35 | C1FC35WE | NQ2 | 17 |
| 0.50 | C1FC50WE | NQ2 | 25 |
| 0.75 | C1FC75WES | NQ2 | 23 |
| 1 | C1F1C0WES | NQ3 | 24 |
| 1.5 | C1F1C5WES | NQ3 | 37 |
| 2 | C1F002WES | NQ4 | 52 |
| 3 | C1F003WES | NQ5 | 65 |
| 5 | C1F005WES | NQ5 | 108 |
| 7.5 | C1F007WES | NQ6 | 171 |
| 10 | C1F010WES | NQ6 | 183 |

240 x 480V Primary
120/240V Secondary 60 Hz

| kVA Rating | Catalog Number | Case Style | Approx. Weight |
|------------|----------------|------------|----------------|
| 0.05 | C1FC05LE | NQ0 | 7 |
| 0.10 | C1FC10LE | NQ0 | 7 |
| 0.15 | C1FC15LE | NQ0 | 8 |
| 0.25 | C1FC25LE | NQ0 | 9 |
| 0.35 | C1FC35LE | NQ1 | 15 |
| 0.50 | C1FC50LE | NQ1 | 15 |
| 0.75 | C1FC75LES | NQ2 | 23 |
| 1 | C1F1C0LES | NQ3 | 24 |
| 1.5 | C1F1C5LES | NQ3 | 33 |
| 2 | C1F002LES | NQ4 | 42 |
| 3 | C1F003LES | NQ4 | 55 |
| 5 | C1F005LES | NQ5 | 96 |
| 7.5 | C1F007LES | NQ6A | 148 |
| 10 | C1F010LES | NQ6 | 179 |
| 15 | C1F015LES | NQ7 | 265 |
| 25 | C1F025LES | NQ8 | 385 |
| 37.5 | C1F037LES | NQS10 | 598 |

277V Primary
120/240V Secondary 50/60 Hz

| kVA Rating | Catalog Number | Case Style | Approx. Weight |
|------------|----------------|------------|----------------|
| 0.05 | C1FC05CE | NQ0 | 7 |
| 0.10 | C1FC10CE | NQ0 | 7 |
| 0.15 | C1FC15CE | NQ0 | 8 |
| 0.25 | C1FC25CE | NQ0 | 9 |
| 0.35 | C1FC35CE | NQ1 | 15 |
| 0.50 | C1FC50CE | NQ2 | 15 |
| 0.75 | C1FC75CES | NQ2 | 23 |
| 1 | C1F1C0CES | NQ3 | 24 |
| 1.5 | C1F1C5CES | NQ3 | 33 |
| 2 | C1F002CES | NQ4 | 42 |
| 3 | C1F003CES | NQ4 | 55 |
| 5 | C1F005CES | NQ5 | 96 |
| 7.5 | C1F007CES | NQ6A | 148 |
| 10 | C1F010CES | NQ6 | 178 |

277/480V Primary
208/277V Secondary 50/60 Hz

| kVA Rating | Catalog Number | Case Style | Approx. Weight |
|------------|----------------|------------|----------------|
| 0.05 | C1FC05HR | NQ0 | 7 |
| 0.10 | C1FC10HR | NQ0 | 8 |
| 0.15 | C1FC15HR | NQ0 | 11 |
| 0.25 | C1FC25HR | NQ1 | 12 |
| 0.35 | C1FC35HR | NQ2 | 15 |
| 0.50 | C1FC50HR | NQ2 | 18 |
| 0.75 | C1FC75HRS | NQ3 | 25 |
| 1 | C1F1C0HRS | NQ3 | 31 |
| 1.5 | C1F1C5HRS | NQ4 | 39 |
| 2 | C1F002HRS | NQ4 | 54 |
| 3 | C1F003HRS | NQ5 | 80 |
| 5 | C1F005HRS | NQ6 | 156 |
| 7.5 | C1F007HRS | NQ6 | 188 |
| 10 | C1F010HRS | NQ6 | 179 |

347/380V Primary
120/240V Secondary 50/60 Hz



| kVA Rating | Catalog Number | Case Style | Approx. Weight |
|------------|----------------|------------|----------------|
| 0.05 | C1FC05JE | NQ0 | 7 |
| 0.10 | C1FC10JE | NQ0 | 7 |
| 0.15 | C1FC15JE | NQ0 | 8 |
| 0.25 | C1FC25JE | NQ0 | 9 |
| 0.35 | C1FC35JE | NQ1 | 14 |
| 0.50 | C1FC50JE | NQ1 | 14 |
| 0.75 | C1FC75JES | NQ2 | 23 |
| 1 | C1F1C0JES | NQ3 | 32 |
| 1.5 | C1F1C5JES | NQ3 | 35 |
| 2 | C1F002JES | NQ4 | 51 |
| 3 | C1F003JES | NQ5 | 89 |
| 5 | C1F005JES | NQ5 | 106 |
| 7.5 | C1F007JES | NQ6A | 162 |
| 10 | C1F010JES | NQ6 | 194 |

Export* Primary
120/240V Secondary 50/60 Hz



| kVA Rating | Catalog Number | Case Style | Approx. Weight |
|------------|----------------|------------|----------------|
| 0.05 | C1FC05XE | NQ0 | 7 |
| 0.10 | C1FC10XE | NQ0 | 7 |
| 0.15 | C1FC15XE | NQ0 | 9 |
| 0.25 | C1FC25XE | NQ0 | 10 |
| 0.35 | C1FC35XE | NQ1 | 15 |
| 0.50 | C1FC50XE | NQ1 | 16 |
| 0.75 | C1FC75XES | NQ2 | 24 |
| 1 | C1F1C0XES | NQ3 | 32 |
| 1.5 | C1F1C5XES | NQ4 | 37 |
| 2 | C1F002XES | NQ4 | 52 |
| 3 | C1F003XES | NQ5 | 89 |
| 5 | C1F005XES | NQ5 | 96 |
| 7.5 | C1F007XES | NQ6A | 148 |
| 10 | C1F010XES | NQ6 | 179 |

600V Primary
120/240V Secondary 60 Hz

| kVA Rating | Catalog Number | Case Style | Approx. Weight |
|------------|----------------|------------|----------------|
| 0.05 | C1FC05PE | NQ0 | 7 |
| 0.10 | C1FC10PE | NQ0 | 7 |
| 0.15 | C1FC15PE | NQ0 | 8 |
| 0.25 | C1FC25PE | NQ0 | 9 |
| 0.35 | C1FC35PE | NQ1 | 15 |
| 0.50 | C1FC50PE | NQ1 | 16 |
| 0.75 | C1FC75PES | NQ2 | 23 |
| 1 | C1F1C0PES | NQ3 | 24 |
| 1.5 | C1F1C5PES | NQ3 | 33 |
| 2 | C1F002PES | NQ4 | 42 |
| 3 | C1F003PES | NQ4 | 55 |
| 5 | C1F005PES | NQ5 | 96 |
| 7.5 | C1F007PES | NQ6A | 148 |
| 10 | C1F010PES | NQ6 | 179 |
| 15 | C1F015PES | NQ7 | 265 |
| 25 | C1F025PES | NQ8 | 385 |
| 37.5 | C1F037PES | NQS10 | 598 |

*Primary = 190/200/208/220/240' X 380/400/416/440/480'
Note!: The primary voltage ratio of 240V and 480V is available at 60 Hz only with a secondary voltage of approximately 130/260V

THREE PHASE SPECIFICATIONS

208V Primary
208Y/120V Secondary 60 Hz

| kVA Rating | Catalog Number | Case Style | Approx. Weight |
|------------|----------------|------------|----------------|
| 2 | C3F002BBS | NQT3 | 57 |
| 3 | C3F003BBS | NQT3 | 76 |
| 6 | C3F006BBS | NQT5 | 139 |
| 9 | C3F009BBS | NQT6 | 208 |
| 15 | C3F015BBS | NQT7 | 357 |
| 30 | C3F030BBS | NQT8 | 521 |
| 45 | C3F045BBS | NQT9 | 700 |
| 75 | C3F075BBS | NQT9A | 1420 |

208V Primary
480Y/277V Secondary 60 Hz

| kVA Rating | Catalog Number | Case Style | Approx. Weight |
|------------|----------------|------------|----------------|
| 2 | C3F002BKS | NQT3 | 58 |
| 3 | C3F003BKS | NQT3 | 75 |
| 6 | C3F006BKS | NQT5 | 139 |
| 9 | C3F009BKS | NQT6 | 208 |
| 15 | C3F015BKS | NQT7 | 357 |
| 30 | C3F030BKS | NQT8 | 520 |
| 45 | C3F045BKS | NQT9 | 700 |
| 75 | C3F075BKS | NQT9A | 1420 |

240V Primary
208Y/120V Secondary 60 Hz

| kVA Rating | Catalog Number | Case Style | Approx. Weight |
|------------|----------------|------------|----------------|
| 2 | C3F002DBS | NQT3 | 58 |
| 3 | C3F003DBS | NQT3 | 74 |
| 6 | C3F006DBS | NQT5 | 139 |
| 9 | C3F009DBS | NQT6 | 208 |
| 15 | C3F015DBS | NQT7 | 356 |
| 30 | C3F030DBS | NQT8 | 521 |
| 45 | C3F045DBS | NQT9 | 700 |
| 75 | C3F075DBS | NQT9A | 1420 |

240V Primary
480Y/277V Secondary 60 Hz

| kVA Rating | Catalog Number | Case Style | Approx. Weight |
|------------|----------------|------------|----------------|
| 2 | C3F002DKS | NQT3 | 58 |
| 3 | C3F003DKS | NQT3 | 75 |
| 6 | C3F006DKS | NQT5 | 139 |
| 9 | C3F009DKS | NQT6 | 208 |
| 15 | C3F015DKS | NQT7 | 354 |
| 30 | C3F030DKS | NQT8 | 521 |
| 45 | C3F045DKS | NQT9 | 700 |
| 75 | C3F075DKS | NQT9A | 1420 |

480V Primary
208Y/120V Secondary 60 Hz

| kVA Rating | Catalog Number | Case Style | Approx. Weight |
|------------|----------------|------------|----------------|
| 2 | C3F002KBS | NQT3 | 59 |
| 3 | C3F003KBS | NQT3 | 74 |
| 6 | C3F006KBS | NQT5 | 139 |
| 9 | C3F009KBS | NQT6 | 208 |
| 15 | C3F015KBS | NQT7 | 355 |
| 30 | C3F030KBS | NQT8 | 521 |
| 45 | C3F045KBS | NQT9 | 700 |
| 75 | C3F075KBS | NQT9A | 1420 |

480V Primary
240V Delta Secondary 60 Hz

| kVA Rating | Catalog Number | Case Style | Approx. Weight |
|------------|----------------|------------|----------------|
| 2 | C3F002KDS | NQT3 | 58 |
| 3 | C3F003KDS | NQT3 | 76 |
| 6 | C3F006KDS | NQT5 | 139 |
| 9 | C3F009KDS | NQT6 | 210 |
| 15 | C3F015KDS | NQT7 | 355 |
| 30 | C3F030KDS | NQT8 | 521 |
| 45 | C3F045KDS | NQT9 | 700 |
| 75 | C3F075KDS | NQT9A | 1420 |

600V Primary
208Y/120V Secondary 60 Hz

| kVA Rating | Catalog Number | Case Style | Approx. Weight |
|------------|----------------|------------|----------------|
| 2 | C3F002PBS | NQT3 | 58 |
| 3 | C3F003PBS | NQT3 | 74 |
| 6 | C3F006PBS | NQT5 | 139 |
| 9 | C3F009PBS | NQT6 | 207 |
| 15 | C3F015PBS | NQT7 | 356 |
| 30 | C3F030PBS | NQT8 | 521 |
| 45 | C3F045PBS | NQT9 | 700 |
| 75 | C3F075PBS | NQT9A | 1420 |

600V Primary
240V Delta Secondary 60 Hz

| kVA Rating | Catalog Number | Case Style | Approx. Weight |
|------------|----------------|------------|----------------|
| 2 | C3F002PDS | NQT3 | 58 |
| 3 | C3F003PDS | NQT3 | 74 |
| 6 | C3F006PDS | NQT5 | 139 |
| 9 | C3F009PDS | NQT6 | 206 |
| 15 | C3F015PDS | NQT7 | 356 |
| 30 | C3F030PDS | NQT8 | 521 |
| 45 | C3F045PDS | NQT9 | 700 |
| 75 | C3F075PDS | NQT9A | 1420 |

ENCLOSURE DRAWINGS & DIMENSIONS

Figure 1

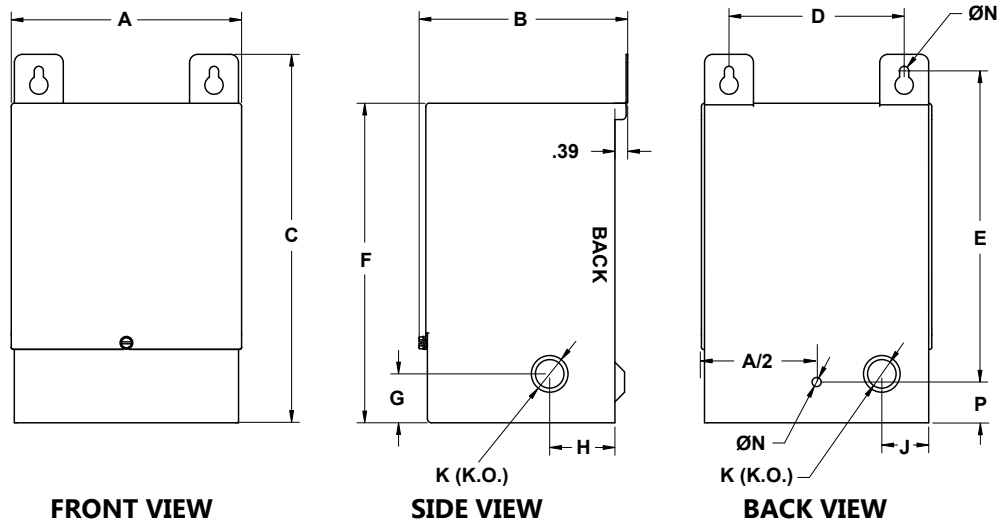
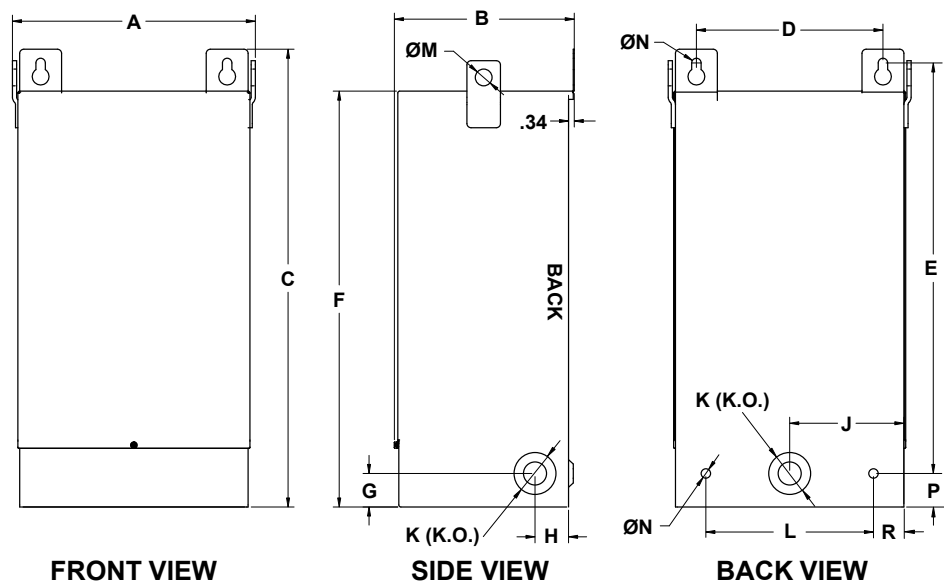


Figure 2



| Case Style | Fig # | A | B | C | D | E | F | G | H | J | K ¹ | L | M | N | P | R |
|------------|-------|-------|-------|-------|-------|-------|-------|-------|------|------|--------------------|-------|------|------|------|------|
| NQ0 | 1 | 3.75 | 5.25 | 7.25 | 2.50 | 5.63 | 6.25 | 1.50 | 2.00 | -- | 0.88 | -- | -- | 0.22 | 1.25 | -- |
| NQ1 | 1 | 4.50 | 5.75 | 7.25 | 3.13 | 5.63 | 6.25 | 1.50 | 2.00 | 0.81 | 0.88 | -- | -- | 0.22 | 1.25 | -- |
| NQ2 | 1 | 5.00 | 4.75 | 9.25 | 3.88 | 7.75 | 8.25 | 1.50 | 2.00 | 1.00 | 0.88 x 1.13 x 1.38 | -- | -- | 0.22 | 1.25 | -- |
| NQ3 | 1 | 5.88 | 5.50 | 10.50 | 4.13 | 8.25 | 9.00 | 1.50 | 2.00 | 1.25 | 0.88 x 1.13 x 1.38 | -- | -- | 0.28 | 1.25 | -- |
| NQ4 | 1 | 7.00 | 6.50 | 11.75 | 5.38 | 9.50 | 10.25 | 1.75 | 2.00 | 1.50 | 0.88 x 1.13 x 1.38 | -- | -- | 0.28 | 1.25 | -- |
| NQ5 | 2 | 10.00 | 7.75 | 17.25 | 7.38 | 15.38 | 15.25 | 2.375 | 2.00 | 4.00 | 1.13 x 1.38 | 6.00 | 0.75 | 0.44 | 1.25 | 1.68 |
| NQ6A | 2 | 12.25 | 9.25 | 17.63 | 9.38 | 14.88 | 15.56 | 2.00 | 2.00 | 5.00 | 1.38 x 2.50 | 8.00 | 0.75 | 0.44 | 2.00 | 1.68 |
| NQ6 | 2 | 12.25 | 9.25 | 20.88 | 9.38 | 18.13 | 18.88 | 2.00 | 2.00 | 5.00 | 1.38 x 2.50 | 8.00 | 0.75 | 0.44 | 2.00 | 1.68 |
| NQ7 | 2 | 14.50 | 10.75 | 21.38 | 11.63 | 18.63 | 19.38 | 2.00 | 2.00 | 6.00 | 1.38 x 2.50 | 10.00 | 0.75 | 0.44 | 2.00 | 1.81 |
| NQ8 | 2 | 14.50 | 10.75 | 27.38 | 11.13 | 24.50 | 24.88 | 2.00 | 2.00 | 6.00 | 1.38 x 2.50 | 10.00 | 0.75 | 0.56 | 2.00 | 1.81 |

¹ Knockout (K) sizes are actual diameters of knockout, not conduit sizes

All dimensions in inches

ENCLOSURE DRAWINGS & DIMENSIONS

Figure 3

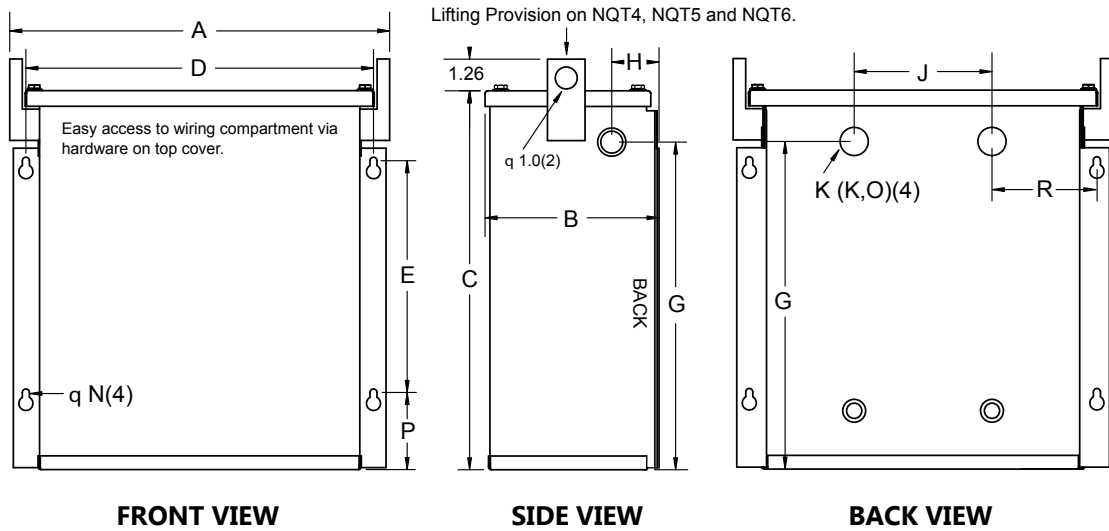
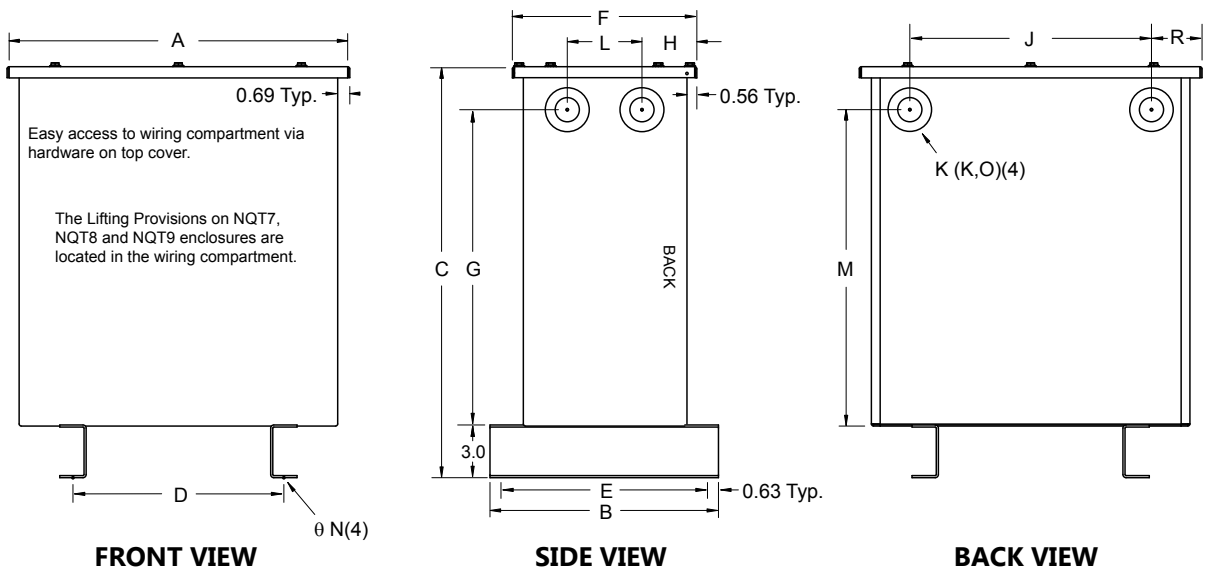


Figure 4



| Case Style | Fig # | A | B | C | D | E | F | G | H | J | K ¹ | L | M | N | P | R |
|------------|-------|-------|-------|-------|-------|-------|-------|-------|------|-------|----------------|------|-------|------|------|------|
| NQT3 | 3 | 12.38 | 5.44 | 11.13 | 11.38 | 6.50 | - | 9.50 | 2.38 | 5.50 | 0.88 x 1.13 | - | - | 0.28 | 1.81 | 3.44 |
| NQT4 | 3 | 15.19 | 6.94 | 15.13 | 13.88 | 9.25 | - | 13.56 | 1.88 | 5.50 | 0.88 x 1.13 | - | - | 0.28 | 3.06 | 4.19 |
| NQT5 | 3 | 16.63 | 10.25 | 16.63 | 14.50 | 8.25 | - | 13.88 | 2.69 | 10.00 | 1.38 x 1.75 | - | - | 0.41 | 4.50 | 2.25 |
| NQT6 | 3 | 19.25 | 10.44 | 16.63 | 17.50 | 8.25 | - | 13.56 | 2.69 | 12.50 | 1.38 x 2.50 | - | - | 0.41 | 4.50 | 2.50 |
| NQT7 | 4 | 20.25 | 13.00 | 23.38 | 12.00 | 11.75 | 11.38 | 17.94 | 2.50 | 13.75 | 1.38 x 2.50 | 4.25 | 17.94 | 0.56 | - | 2.13 |
| NQT8 | 4 | 22.25 | 13.00 | 28.38 | 14.00 | 11.75 | 11.38 | 21.94 | 2.50 | 15.75 | 1.38 x 2.50 | 4.25 | 21.94 | 0.56 | - | 2.13 |
| NQT9 | 4 | 31.25 | 16.00 | 29.88 | 18.00 | 14.75 | 14.13 | 23.94 | 2.75 | 22.75 | 2.00 x 3.00 | 6.50 | 23.64 | 0.56 | - | 3.13 |
| NQT9A | 4 | 34.63 | 18.50 | 36.75 | 22.50 | 17.25 | 16.50 | 30.38 | 4.69 | 27.25 | 2.00 X 3.00 | 6.50 | 30.38 | 0.56 | - | 3.31 |
| NQT10 | 4 | 38.44 | 26.00 | 39.13 | 23.50 | 24.00 | 20.80 | 32.50 | 6.40 | 24.75 | 2.50 X 3.63 | 8.00 | 32.50 | 0.69 | - | 6.84 |
| NQT11 | 4 | 37.38 | 30.00 | 45.63 | 23.50 | 28.00 | 22.00 | 39.00 | 6.95 | 24.75 | 2.50 X 3.63 | 8.00 | 39.00 | 0.69 | - | 6.31 |
| NQS10 | 4 | 21.88 | 18.50 | 31.00 | 13.50 | 17.25 | 16.50 | 24.63 | 4.91 | 13.13 | 1.75 x 2.50 | 6.50 | 24.63 | 0.56 | - | 4.00 |

¹ Knockout (K) sizes are actual diameters of knockout, not conduit sizes

All dimensions in inches



CANADA



EUROPE



UNITED STATES



INDIA

CANADA

HPS
595 Southgate Drive
Guelph, Ontario N1G 3W6
Tel: (519) 822-2441
Fax: (519) 822-9701
Toll Free: 1-888-798-8882
sales@hammondpowersolutions.com

EUROPE

Hammond Power Solutions
Via Angelo Schiatti, 12
36040 Meledo di Sarego (VI) Italy
Tel: +39 0444 822 000
Fax: +39 0444 822 065
info@hpseurope.eu

UNITED STATES

HPS
1100 Lake Street
Baraboo, Wisconsin 53913-2866
Tel: (608) 356-3921
Fax: (608) 355-7623
Toll Free: 1-866-705-4684
sales@hammondpowersolutions.com

INDIA

PETE - Hammond Power Solutions Pvt. Ltd.
G-9 to 11, Bhavya's Sree Arcade
Erragadda, Hyderabad, A.P. - 500 018
Tel: 040-23813593, 23812291
Fax: 040-23706741
marketing@petetransformers.com



Distributed by:

Scan this QR code with your
smartphone to view additional
information on the HPS Fortress™.

