

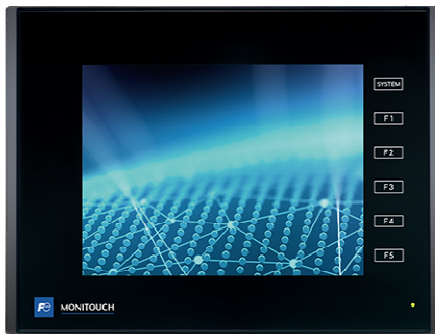
TECHNICAL INFORMATION	TI-TS-0001v100EN
REPLACEMENT INFO FOR OLD MODELS to TS2000	

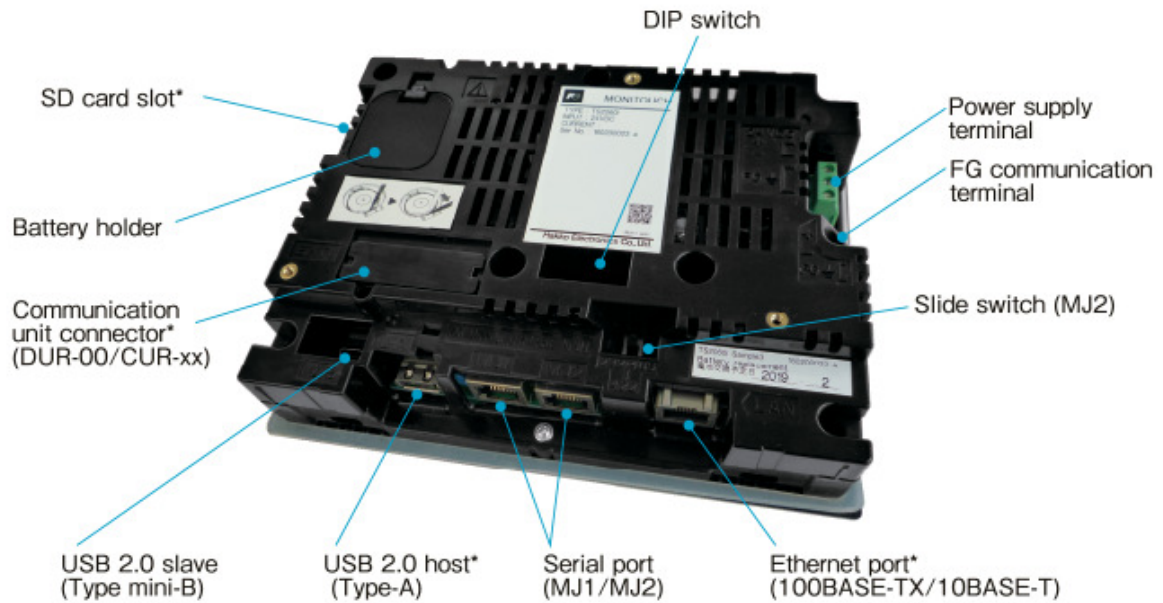
Type	TS
Software version	All versions
Required options	Not required
Use	Fuji technical staff
Date	20/11/2018
Version	1.0.0
Author	xxxxxxxxxx
Revised	xxxxxxxxxx
Approved	xxxxxxxxxx
Languages	English

REPLACEMENT INFORMATION FOR OLD MODELS TO TS2000 series

There 2 different models for the TS2000 series:

- 1) TS2060
- 2) TS2060i





* Only TS2060i.

1) **TS2060**

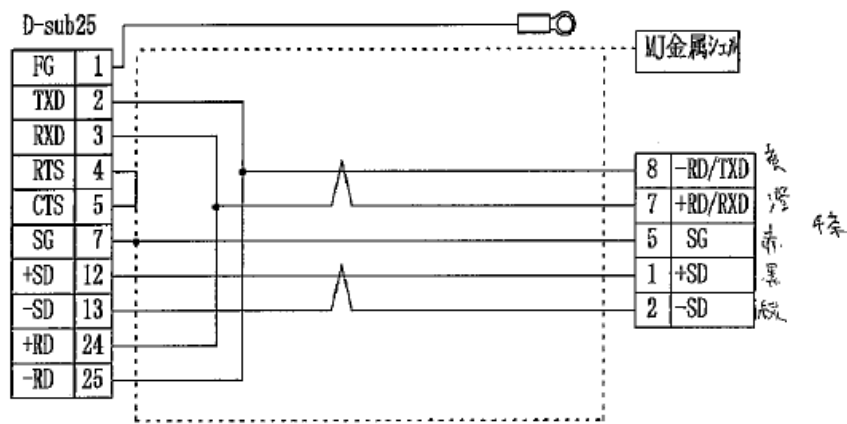
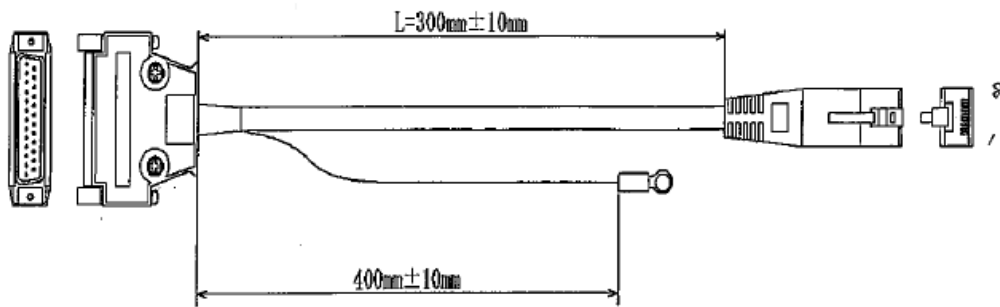
TS 2060 can replace the following models:

V606eMx0 (UG221H-Lx4)
V606eC20 (UG221H-SR4)
S806MD
S806CD

In every case, a conversion cable for the serial ports is needed.

Following, the cables diagrams are shown:

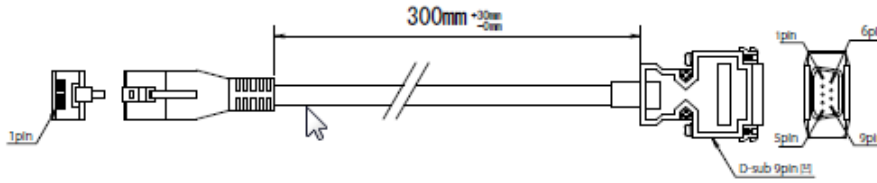
[V606e]
MJ2-PLC (V606e CN1 -> TS2000 MJ2)



[S806]

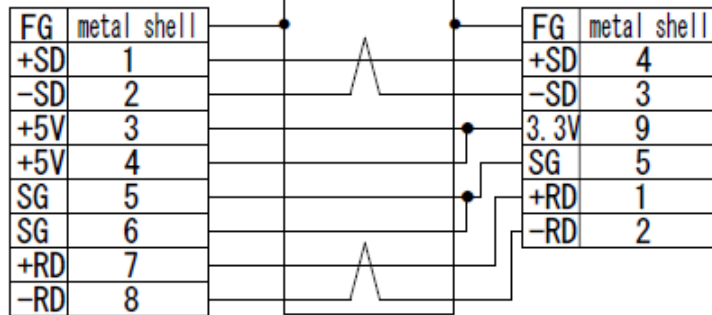
MJ2-COM1 (S806 COM1 -> TS2000 MJ2)

MJ2-COM1



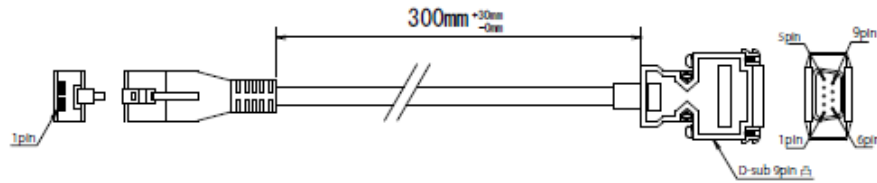
Monitouch

Communication cable



MJ-COM2 (S806 COM2 -> TS2000 MJ1)

MJ-COM2



Monitouch

Communication cable

