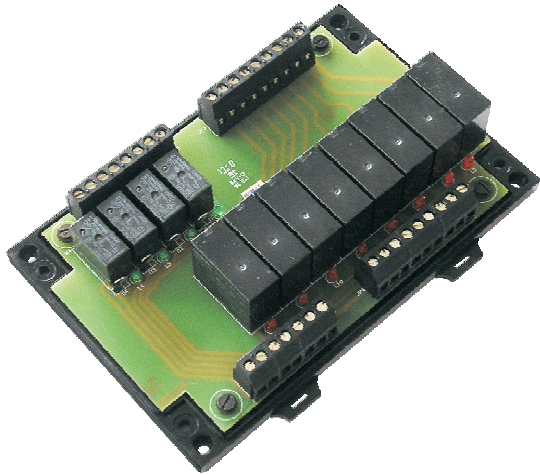


Models:
OPC-115V

INSTRUCTION SHEET

Thank you for purchasing OPC-115V model. Please read the instruction sheet and thoroughly familiarize yourself with the functions and characteristics of the products before use.



Specifications:

User Side:

Digital Inputs: 8 AC inputs (115V)
 Input: 115VAC, 8mA per channel

Parameters	8 AC Inputs (115V)
Input Impedance:	6.5K ohm
Min. ON voltage:	96VAC
Max. OFF voltage:	36VAC
Turn ON time:	15msec max
Turn OFF time:	10msec max

Digital Outputs: 4 Relay outputs.
 Output: 250VAC, 5A / 24VDC, 5A per Channel

Inverter Side:

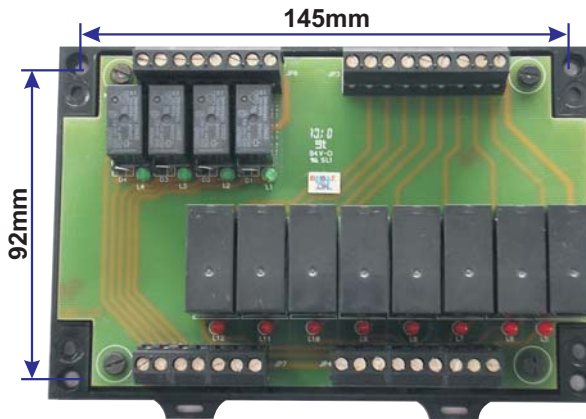
Digital Inputs: 4 DC inputs (24VDC)
 Input : 24VDC, 12mA per channel

Parameters	4DC Inputs (24VDC)
Input Impedance:	2.88K ohm
Min. ON voltage:	18VDC
Max. OFF voltage:	1.2VDC
Turn ON time:	10msec max
Turn OFF time:	5msec max

Digital Outputs: 8 Relay outputs
 Output: 24VDC, 20mA per channel

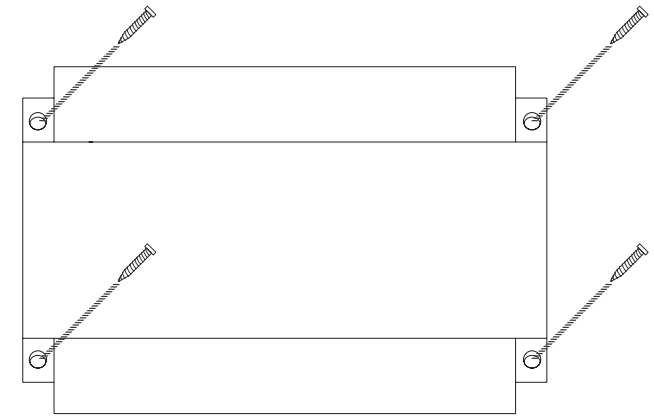
General:
 Operating Temp.: 0 to 60°C
 Storage Temp.: -20 to 80°C
 Operating Humidity: 10% to 90% (Non condensing)

Dimensions and Panel Mounting:



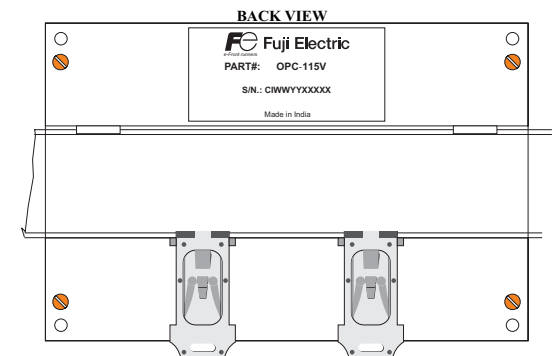
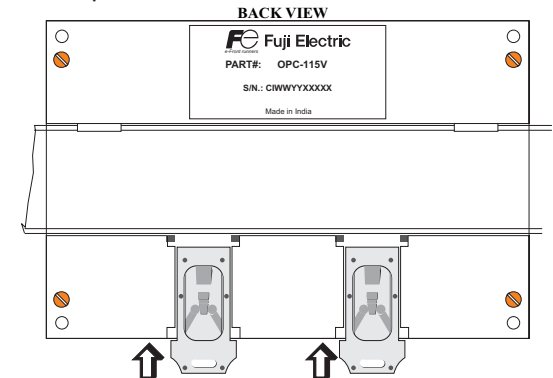
This unit can be mounted on DIN rail slider as well as can be rest on mounting plate:

1. For mounting plate installation:
 - A) Drill hole into your mounting surface (#36 drill recommended).
 - B) Align the unit to the mounting plate.
 - C) Fasten the mounting plate to your surface with four screws.

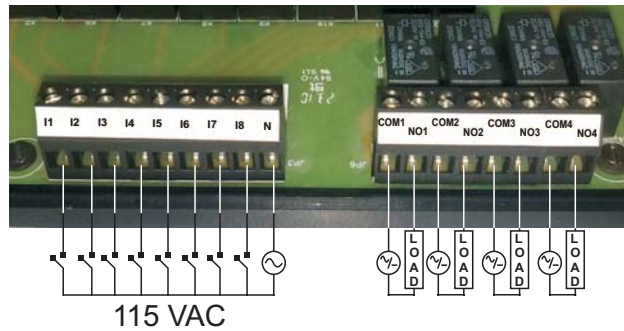


2. Din rail installation:

- a. Mount the DIN rail to your mounting surface.
- b. Align the unit to the mounting plate and snap the unit into place.
- c. Hook the top slot of the mounting plate over the DIN rail.
- d. While pressing the unit against the rail, snap the unit into place.



User Side:



Input:

User can connect 8 AC Inputs (115VAC) as input to respective relay coil.

I1 to I8 stands for Input 1 to 8 (Phase) where as N stands for Neutral that is common for all Inputs

Each Relay can be trigger by applying minimum 96VAC.

Input (115VAC)	Status LED RED	Output
I1	L5	X1
I2	L6	X2
I3	L7	X3
I4	L8	X4
I5	L9	X5
I6	L10	X6
I7	L11	X7
I8	L12	X8

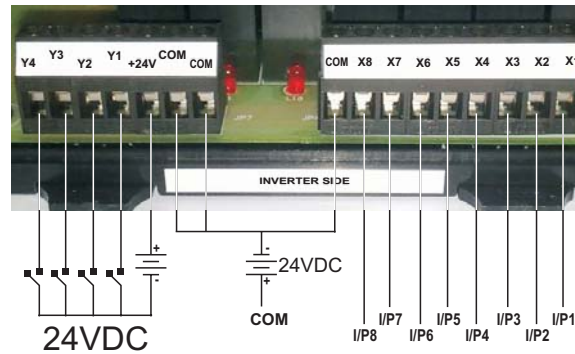
A red LED indication is provided for each Relay status.

Note: Status LED's will glow only if load is connected to X1-X8, as LED's are connected in series with load at each AC relay output side.

Output:

User can connect load to 4 Relay outputs. This 4 Relay can be driven by Inverter output (24VDC).

Inverter Side:



INVERTER OUTPUT

INVERTER INPUT

Input:

Inverter outputs can be applied to 4 DC Inputs (24VDC) as input to respective relay coil.

Y1 to Y4 stands for Input 1 to 4 (Negative) where as +24V is common for all four Inputs.

Each Relay can be trigger by applying minimum 18VDC.

A green LED indication is provided for each Relay status.

Input (24VDC)	Status LED GREEN	Output
Y1	L1	COM1: NO1
Y2	L2	COM2: NO2
Y3	L3	COM3: NO3
Y4	L4	COM4: NO4

Output:

X1 to X8 are Inputs for Inverter, which has +24VDC as Inputs for Inverter side. Where as three COM terminals are provides as a common at Inverter side.

Technical Support:

For Technical support please contact factory along with the unit serial number and revision number written on the address sticker of the unit. Also provide information of the application used.

MANUAL REVISIONS:

Rev. No.	Doc. No.	Date	Description
1.00	QS-OPC-115V-1010	08/10/10	First Draft