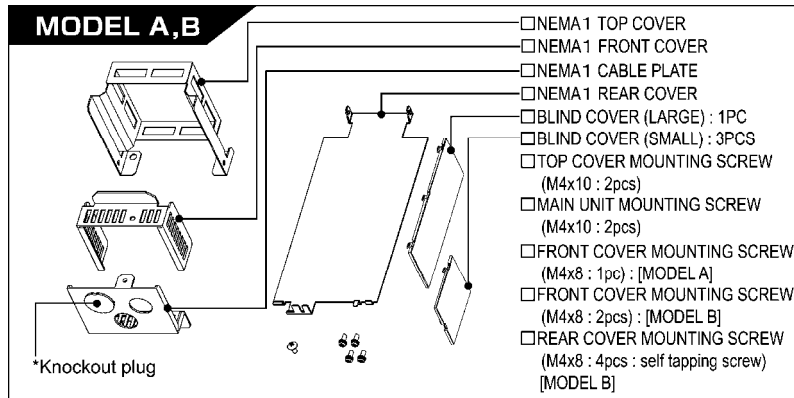


4.4.1.6 Enclosed - Type 1 Kit

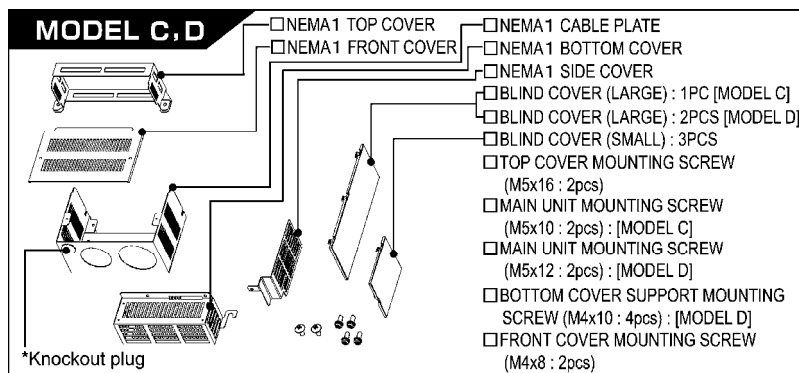
[1] Overview

Mounting the Enclosed - Type 1 Kit to a FRENIC-MEGA series general-purpose inverter provides inverter with a Type 1 Enclosure.

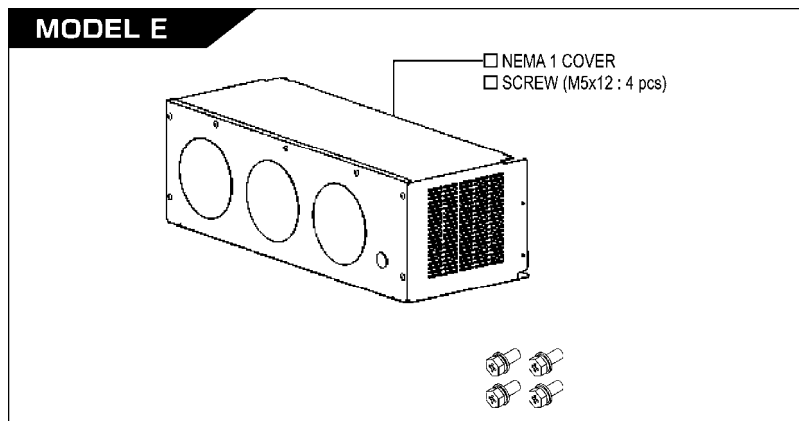
[2] Configuration



Note: To wire the control signal lines, remove the knockout plug.
The mounting parts are slightly different for each model.



Note: To wire the control signal lines, remove the knockout plug.
The mounting parts are slightly different for each model.



[3] Specifications

This product can only be attached to FRENIC-MEGA (Standard inverter).

The specifications to be changed are stated here. All the other specifications which are not mentioned are equivalent with FRENIC-MEGA (Standard inverter).

Applicable inverters

When an Enclosed - Type 1 Kit is installed to an inverter unit, the unit type changes to a type shown in a column "Inverter type after installation."

Applicable inverter model	Option type	Inverter type after installation	MODEL	
230 V, Three-phase	FRNF50G1S-2U	NEMA-0.4G1-24	FRNF50G1U-2U	A
	FRN001G1S-2U	NEMA-0.75G1-24	FRN001G1U-2U	
	FRN002G1S-2U	NEMA-3.7G1-24	FRN002G1U-2U	B
	FRN003G1S-2U		FRN003G1U-2U	
	FRN005G1S-2U		FRN005G1U-2U	
	FRN007G1S-2U	NEMA-11G1-24	FRN007G1U-2U	C
	FRN010G1S-2U		FRN010G1U-2U	
	FRN015G1S-2U		FRN015G1U-2U	
	FRN020G1S-2U	NEMA-22G1-24	FRN020G1U-2U	D
	FRN025G1S-2U		FRN025G1U-2U	
	FRN030G1S-2U	NEMA-22G1-2	FRN030G1U-2U	E
	FRN040G1S-2U		FRN040G1U-2U	
	FRN050G1S-2U	NEMA-37G1-24	FRN050G1U-2U	E
	FRN060G1S-2U	NEMA-75G1-24	FRN060G1U-2U	
	FRN075G1S-2U		FRN075G1U-2U	
	FRN100G1S-2U	NEMA-75G1-2	FRN100G1U-2U	
	FRN125G1S-2U		FRN125G1U-2U	
	FRN150G1S-2U	NEMA-220G1-24	FRN150G1U-2U	

Applicable inverter model	Option type	Inverter type after installation	MODEL	
460 V, Three-phase	FRNF50G1S-4U	NEMA-0.4G1-24	FRNF50G1U-4U	A
	FRN001G1S-4U	NEMA-0.75G1-24	FRN001G1U-4U	
	FRN002G1S-4U	NEMA-3.7G1-24	FRN002G1U-4U	B
	FRN003G1S-4U		FRN003G1U-4U	
	FRN005G1S-4U		FRN005G1U-4U	
	FRN007G1S-4U	NEMA-11G1-24	FRN007G1U-4U	C
	FRN010G1S-4U		FRN010G1U-4U	
	FRN015G1S-4U		FRN015G1U-4U	
	FRN020G1S-4U	NEMA-22G1-24	FRN020G1U-4U	D
	FRN025G1S-4U		FRN025G1U-4U	
	FRN030G1S-4U	NEMA-22G1-2	FRN030G1U-4U	E
	FRN040G1S-4U		FRN040G1U-4U	
	FRN050G1S-4U	NEMA-37G1-24	FRN050G1U-4U	E
	FRN060G1S-4U		FRN060G1U-4U	
	FRN075G1S-4U	NEMA-75G1-24	FRN075G1U-4U	
	FRN100G1S-4U		FRN100G1U-4U	
	FRN125G1S-4U	NEMA-75G1-2	FRN125G1U-4U	
	FRN150G1S-4U		FRN150G1U-4U	
	FRN200G1S-4U	NEMA-110G1-4	FRN200G1U-4U	E
	FRN250G1S-4U	NEMA-160G1-4	FRN250G1U-4U	
	FRN300G1S-4U		FRN300G1U-4U	
	FRN350G1S-4U	NEMA-220G1-24	FRN350G1U-4U	
	FRN450G1S-4U		FRN450G1U-4U	
	FRN500G1S-4U	NEMA-315G1-4	FRN500G1U-4U	
	FRN600G1S-4U		FRN600G1U-4U	
	FRN700G1S-4U	NEMA-400G1-4	FRN700G1U-4U	
	FRN800G1S-4U		FRN800G1U-4U	
	FRN900G1S-4U	NEMA-630G1-4	FRN900G1U-4U	E
FRN1000G1S-4U	FRN1000G1U-4U			

Rated output current

For 3 phase 230 V input LD (Low Duty) specifications, see Table 4.14 below.

Table 4.14 Rated output current for LD (Low Duty) specifications

Items		Specifications					
Applied inverter series (FRN□□□G1S-2U)		010	015	020	025	030	040
Rated output	Rated current (A)	29	42	55	68	80	107

Ambient temperature (Except for FRN050G1U-□U and above)

-10 to +40°C (14 to +104°F)

No. of installable option P.C.B. (Except for FRN050G1U-□U and above)

1 P.C.B.

Any options can be installed. Connection port depends on an each option P.C.B.

[4] Change settings

Switch IP20/40 enclosure (Bit 7)

For protection coordination, it is necessary to switch to the protection level suitable for the protection rating IP40 by setting Bit 7 (Switch IP20/IP40 enclosure) of function code H98. (Protection/Maintenance Function (Mode selection)) to "1" (IP40).

*An optional Enclosed - Type 1 Kit for the DC reactor is also available.