

APPLICATION NOTE	FECA-AN-124
Pre-Set Speed Operation Wiring and Function Codes	

Inverter type	FRENIC Eco series
Software version	All versions
Required options	None
Related documentation	-
Author	Shane Spencer
Date	12/21/2011
Revision	

Introduction:

This application note will address the wiring and function code setup for operating the **FRENIC Eco** drive using multiple pre-set output frequencies. The inverter uses three terminals (X1 through X3) to achieve seven set speeds through a BINARY counting method. This counting procedure is displayed below, including the necessary function codes that must be set.

Note: Contacts 1 through 3 are customer-supplied, maintained dry contacts.

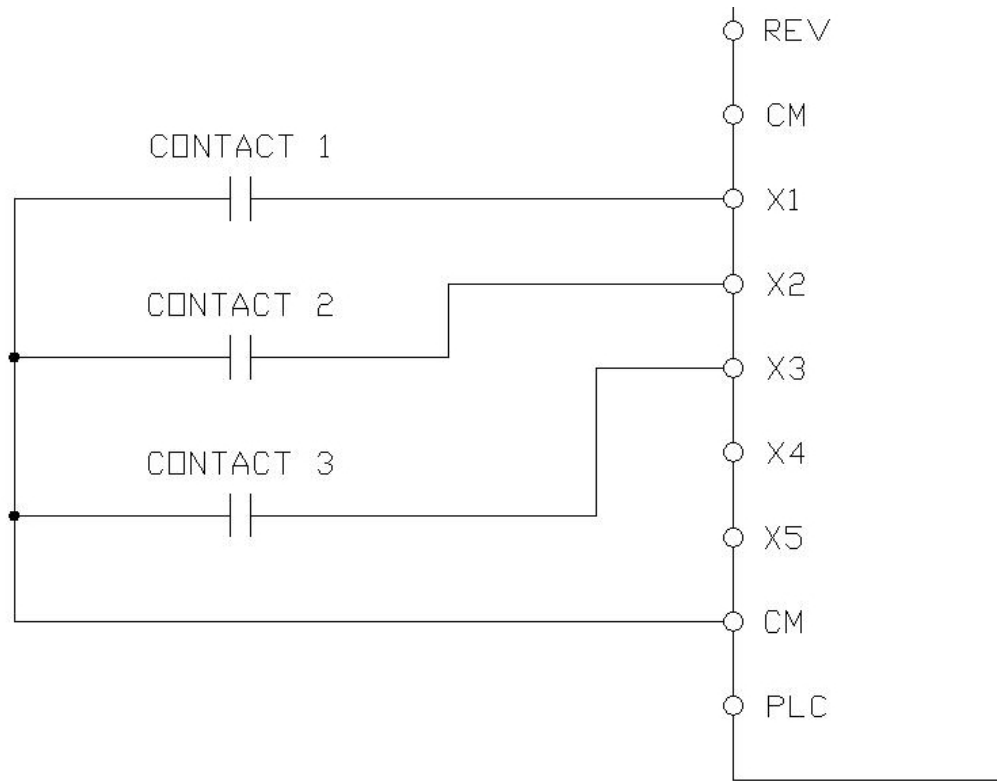
INITIAL FUNCTION CODES TO BE SET

CODE	SETTING	NAME
E01	0 (SS1)	Terminal X1 Function
E02	1 (SS2)	Terminal X2 Function
E03	2 (SS4)	Terminal X3 Function

CONTACT 3	CONTACT 2	CONTACT 1	Corresponding Frequency (And C-Function Code)
0	0	0	Normal frequency reference (F01)
0	0	1	C05 (multi-frequency 1: SS1)
0	1	0	C06 (multi-frequency 2: SS2)
0	1	1	C07 (multi-frequency 3: SS3)
1	0	0	C08 (multi-frequency 4: SS4)
1	0	1	C09 (multi-frequency 5: SS5)
1	1	0	C10 (multi-frequency 6: SS6)
1	1	1	C11 (multi-frequency 7: SS7)

* Note: 1 corresponds to the contact being closed (HIGH), 0 corresponds to open contact (LOW)

WIRING DIAGRAM



Note: For more information concerning three-wire operation, refer to page 5-47 of **FRENIC Eco Instruction Manual**.