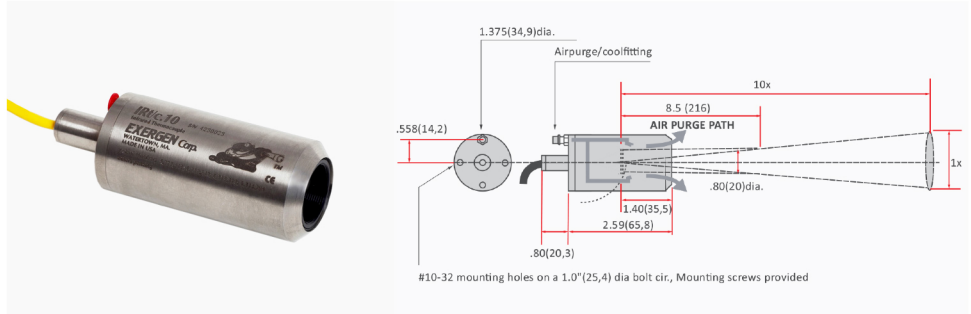


## IRt/c.10 Base Model

### Product Overview

The IRt/c.10 features:

- Infrared Thermocouple IRt/c
- Non-contact
- Self Powered
- Intrinsically Safe
- Repeatability 0.02°F (0.01°C)
- Interchangeability ±1%
- Resolution approx. 0.0001°C
- Small size



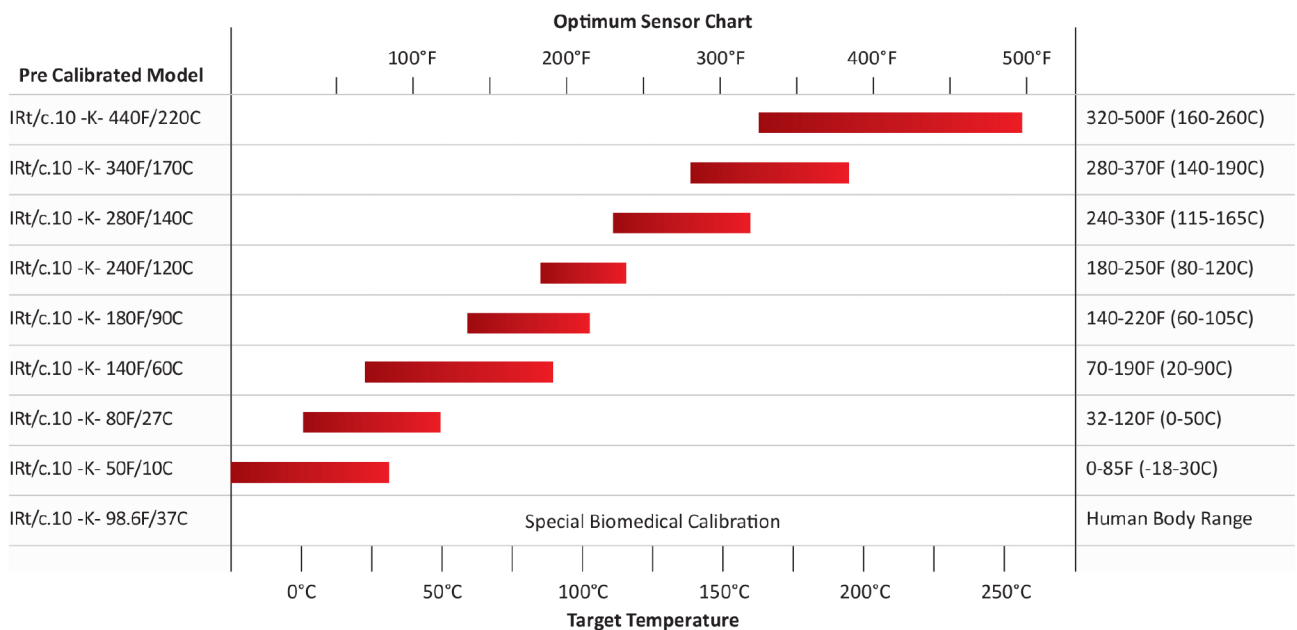
### Technical Data

Sensing Range	-50 to 1200°F (-45 to 650°C)
Optimum Range Selections	Eight models per t/c type (see Temperature Selection Guide)
Field-of-View	10:1 (6°) approximately
Minimum Spot size	0.8" (20 mm)
Spectral Response	6.5 to 14 μ
Output Impedance	4 to 8 Kohms approx

Cable	Twisted shielded pair of base thermocouple material (J,K,etc.), 3 ft (.9 m) std length, Teflon sheathed, rated to 392°F (200°C) continuous service.
Dimensions	3.76" x 1.375" Dia. (96 x 35 mm)
Weight	6.5 oz (184 g) with cable
Housing	Stainless steel, hermetically sealed, exceeds NEMA 4,4x; IP65,67, intrinsically safe, cable shield grounded to housing and electrically isolated from signal.
Air Purge	Built-in; cooling capacity to 400°F (200°C) ambient; 3' (0.9 m) polyurethane tubing provided.

### Calibration

Ordering information IRt/c.10 - K - (Thermocouple Type) - (Pre-Calibrated Temperature Range).



Exergen Corporation offices:

USA  
400 Pleasant Street  
Watertown, MA 02472  
Tel: +1 617 923 9900 press 4 for Industrial  
Fax: +1 617 923 9911

The Netherlands  
Pastoor Clercxstraat 26  
5465 RH Veghel  
Tel: +31 (0)413 376 599  
Fax: +31 (0)413 379 310

industrial@exergen.com  
www.exergen.com